

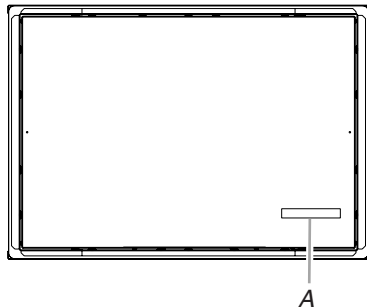
# AMANA® Electric Built-in Cooktop

## PRODUCT MODEL NUMBERS

AEC6540KF

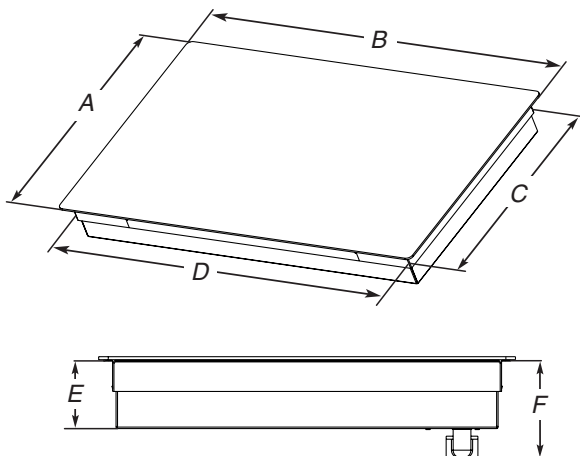
## ELECTRICAL REQUIREMENTS

- A 3-wire or 4-wire, single phase, 120/240 volt, 60-Hz., AC only electrical supply is required on a separate, 40-amp circuit fused on both sides of the line. The model/serial number rating plate is located on the metal cabinet underneath the cooktop. See the following illustration.



A. Model/serial number plate

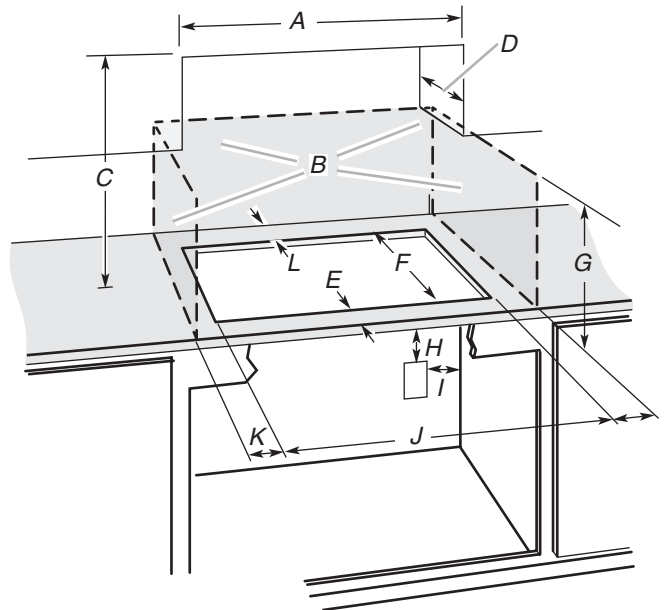
## PRODUCT DIMENSIONS



- A. Glass depth - black and white models -  $21\frac{3}{4}$ " (55.2 cm)  
Glass depth - stainless steel models -  $22\frac{1}{4}$ " (56.4 cm)
- B. Glass width - 30" (76.2 cm) models -  $30\frac{7}{8}$ " (78.4 cm)  
Glass width - 36" (91.4 cm) models -  $36\frac{5}{16}$ " (92.3 cm)
- C. Frame depth -  $20\frac{1}{4}$ " (51.5 cm)
- D. Frame width - 30" (76.2 cm) models -  $28\frac{15}{16}$ " (73.5 cm)  
Frame width - 36" (91.4 cm) models -  $34\frac{7}{16}$ " (87.5 cm)
- E. Cooktop height -  $3\frac{3}{4}$ " (9.6 cm)
- F. Cooktop height including conduit (located at rear of cooktop, right side) -  $5\frac{1}{4}$ " (13.5 cm)

## CABINET DIMENSIONS

**IMPORTANT:** If installing a range hood or microwave hood combination above the cooktop, follow the range hood or microwave hood combination installation instructions for dimensional clearances above the cooktop surface.



- A. 30" (76.2 cm) on 30" models; 36" (91.4 cm) on 36" models
- B. Combustible area above countertop (shown by dashed box above)
- C. 30" (76.2 cm) minimum clearance between top of cooktop platform and bottom of uncovered wood or metal cabinet (24" [61 cm] minimum clearance if bottom of wood or metal cabinet is covered by not less than  $\frac{1}{4}$ " [0.6 cm] flame retardant millboard covered with not less than No. 28 MSG sheet steel, 0.015" [0.04 cm] stainless steel, or 0.024" [0.06 cm] aluminum or 0.020" [0.05 cm] copper)
- D. 13" (33 cm) recommended upper cabinet depth
- E. 2" (5.1 cm) on most models;  $2\frac{5}{8}$ " (6.7 cm) on model JEC4430B
- F.  $20\frac{1}{2}$ " (52.0 cm) recommended cutout.  
Will fit in cutout from  $20\frac{3}{8}$ "- $20\frac{9}{16}$ " (51.8-52.2 cm).
- G. 18" (45.7 cm) minimum clearance from upper cabinet to countertop within minimum horizontal clearances to cooktop
- H. Junction box or outlet: 7" (17.8 cm) minimum from top of countertop
- I. Junction box or outlet: 9" (23.0 cm) maximum from right side of cabinet
- J.  $29\frac{1}{2}$ " (74.9 cm) recommended cutout on 30" (76.2 cm) models.  
Will fit in cutout from  $29\frac{1}{16}$ "- $29\frac{9}{16}$ " (73.8-75.1 cm) on 30" (76.2 cm) models.  
 $35\frac{1}{2}$ " (90.2 cm) recommended cutout on 36" (91.4 cm) models.  
Will fit in cutout from  $34\frac{9}{16}$ "- $35\frac{9}{16}$ " (87.8-90.3 cm) on 36" (91.4 cm) models.
- K. 1" (2.5 cm) minimum distance to nearest left and right side combustible surface above cooktop
- L. 1" (2.5 cm) minimum clearance between back wall and countertop

**NOTES:** After making the countertop cutout, some installations may require notching down the base cabinet side walls to clear the cooktop base. To avoid this modification, use a base cabinet with sidewalls wider than the cutout.

If cabinet has a drawer, a  $5\frac{1}{2}$ " (14.0 cm) depth clearance from the top of the countertop to the top of the drawer (or other obstruction) in base cabinet is required.