

## PRODUCT MODEL NUMBERS

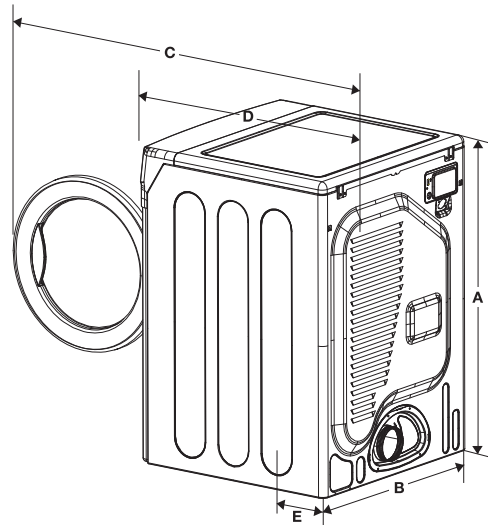
NGD7200T

**Gas supply:** Dryer is equipped for use with Natural gas. Dryer can be converted to L.P. gas. A 1/2" (1.27 cm) gas supply line is recommended and must be reduced to connect to the 3/8" (1.0 cm) gas line on the dryer. Pipe joint compounds resistant to the action of L.P. gas must be used. An individual manual shutoff valve must be installed within 6' (1.8 m) of the dryer in accordance with the National Fuel Gas Cod ANSI Z223.1.

**Electrical:** 120-volt, 60-Hz, AC-only, electrical supply on a separate 15-amp fuse or circuit breaker is required.

**Exhaust venting:** Exhaust your dryer to the outside. 4" (10.2 cm) diameter vent is required. Heavy metal exhaust vent must be used. Do not use plastic or metal foil vent. Exhaust outlet hood must be at least 12" (30.5 cm) from the ground or any object that may be in the path of the exhaust.

## PRODUCT DIMENSIONS



- A. Overall height: 38" (96.5 cm)
- B. Width: 27" (68.6 cm)
- C. Depth with door open 90°: 46-7/16" (123.0 cm)
- D. Depth: 28" (71.0 cm)
- E. Bottom vent location from back to center of hole: 7-1/2" (19 cm)  
Side vent hole from back to center of hole: 8-1/2" (21.6 cm)

**NOTE:** The height of the dryer from top to floor is 38" (96.5 cm) with the leveling leg screwed all the way in. The customer can unscrew the leg out an additional 7/8" (2.2 cm) for a total overall height of 38-7/8" (98.7 cm).

## RECESSED AREA AND CLOSET INSTALLATION

- Minimum clearances between dryer cabinet and adjacent walls or other surfaces are: 2" (5.1 cm) front, 0" (0 cm) top, 0" (0 cm) either side and 2-3/8" (6.0 cm) rear.
- Closet front must have two unobstructed air openings combined total area 72"<sup>2</sup> (464.5 cm<sup>2</sup>), located 3" (7.6 cm) minimum from top and bottom. Louvered door with equivalent air opening is acceptable.
- An appliance installed in a closet shall have no other fuel-burning appliance installed in the same closet.

## EXHAUST VENTING

ELECTRIC AND GAS DRYER				
Weather Hood Type				
Recommended			Use only for short run installation	
4" (10.2 cm)			2-1/2" (6.4 cm)	
No. of 90° elbows	Rigid	Metallic Flexible*	Rigid	Metallic Flexible*
0	80' (24.4 m)	41' (12.4 m)	74' (22.6 m)	33' (10.1 m)
1	68' (20.7 m)	37' (11.2 m)	62' (18.9 m)	29' (8.8 m)
2	57' (17.4 m)	33' (10.1 m)	51' (15.5 m)	25' (7.6 m)
3	47' (14.3m)	29' (9.0 m)	41' (12.5 m)	21' (6.5 m)

\* Do not use non metallic flexible duct.

**NOTE:** Side and bottom exhaust installations have a 90° turn inside the dryer. To determine maximum exhaust length, add one 90° turn to the chart.

1. Select the route that will provide the straightest and most direct path outdoors. Plan the installation to use the fewest number of elbows and turns. Avoid making 90° turns.
2. Determine vent length.  
The maximum length of the exhaust system depends upon:
  - The type of vent (rigid metal or flexible metal)
  - The number of elbows used.
  - Type of hood.

See the exhaust vent length chart that matches your hood type for the maximum vent lengths you can use.

3. Determine the number of elbows you will need.

**IMPORTANT:** Do not use vent runs longer than specified in the Vent Length Chart.

In the column listing the type of metal vent you are using (rigid metal or flexible metal), find the maximum length of metal vent of the same line as the number of elbows.