

AMANA® 36" (91.4 cm) Sealed Gas Cooktop

PRODUCT MODEL NUMBERS

AGC6356KF

Gas supply: The installation of this appliance must conform with local codes, or in the absence of local codes, with the latest edition of the National Fuel Gas Code ANSI Z223.1 USA or current CAN/CGA-B149 INSTALLATION CODE.

This appliance is designed to operate at a pressure of 5" of water column (36" models), 4" of water column (30" models) on natural gas or, if converted for use with LP gas (propane or butane), 10" water column. Make sure this appliance is supplied with and adjusted for the type of gas for which it is designed.

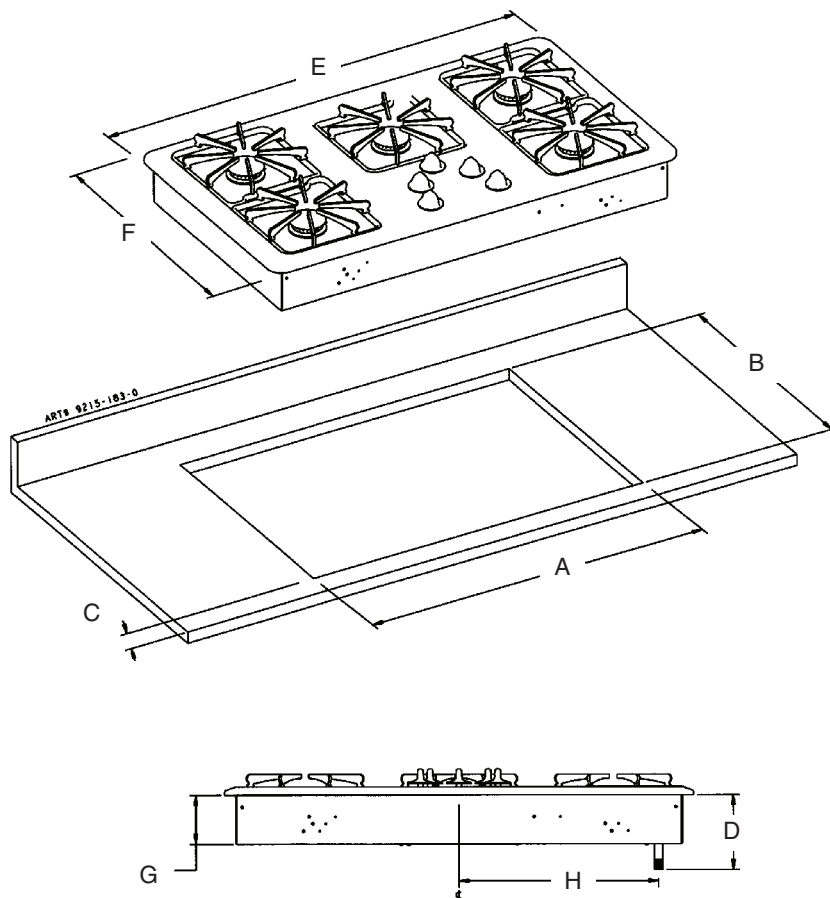
This appliance was adjusted at the factory for use with natural gas. If, at any time, this appliance is to be used with a different type of gas, all of the conversion adjustments described in the installation instructions must be made by a qualified service technician before attempting to operate the cooktop on that gas. Natural gas should be supplied to the appliance pressure regulator at a line pressure between 6" – 14" of water column or, if converted for LP gas, between 11" – 14".

All supply piping, except as noted, should use common National Pipe Thread (N.P.T.). For all pipe connections use an approved pipe joint compound resistant to the action of LP gas.

The supply line must be equipped with a manual shutoff valve. This valve should be located in the same room but external to the range. It should be in a location that allows ease of opening and closing.

Electrical: See page 2.

PRODUCT DIMENSIONS – 36" MODEL



Dimensions	
"A"	34-1/2" (87.6 cm)
"B"	19-15/16" (50.6 cm)
"C"	2-1/8" (5.4 cm)
"D"	5-1/4" (13.3 cm)
"E"	36" (91.4 cm)
"F"	21" (53.3 cm)
"G"	3-13/16" (9.7 cm)
"H"	15-1/4" (38.7 cm)

IMPORTANT: Cutout dimensions are critical. Dimensions must be measured and cut accurately to within $\pm 1/16"$ (0.159 cm) to ensure proper fit.

AMANA® 36" (91.4 cm) Sealed Gas Cooktop

PRODUCT MODEL NUMBERS

AGC6356KF

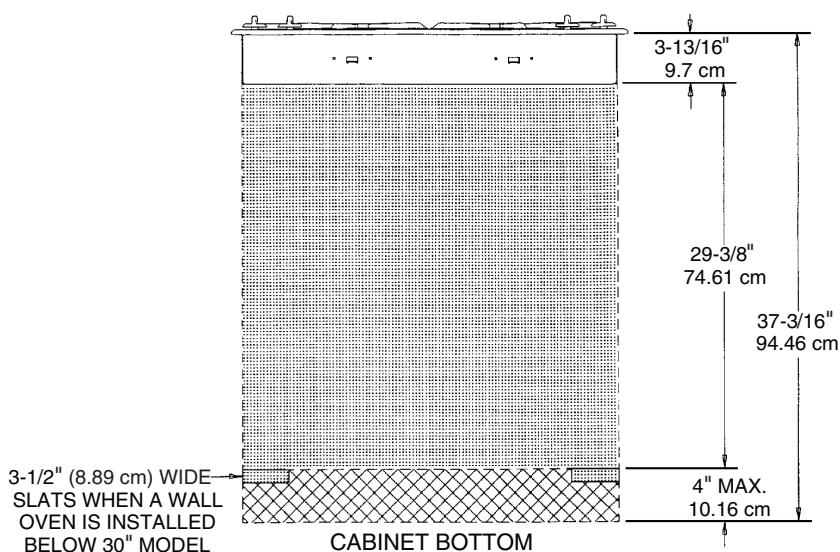
Gas supply: See page 1.

Electrical: This appliance is equipped with a grounded type power cord. A grounded outlet must be provided. It is recommended, for convenience, the outlet be located within either the shaded area or the cross hatched area shown at right.

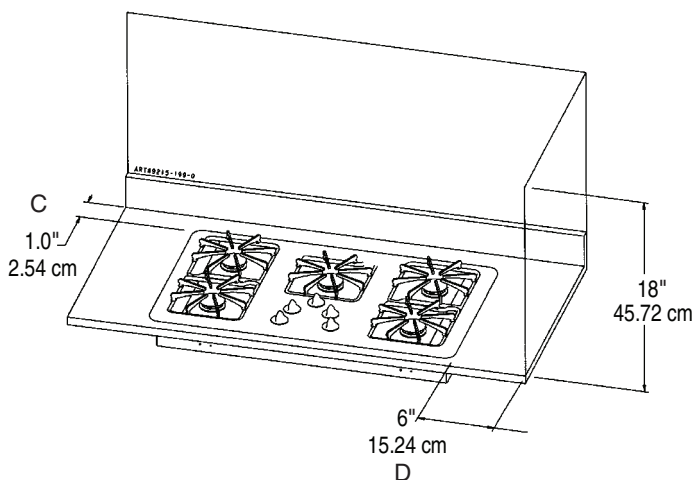
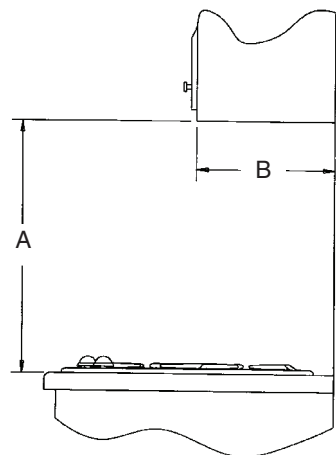
User may experience occasional circuit tripping if Ground Fault Circuit Interrupter (GFCI) outlet or breaker is in use.

In planning any installation, note that the free length of this appliance's power cord, extending beyond a point 3-3/4" (9.53 cm) left of the nominal center of the rear wall of the burner box, when viewed from the front of the unit, is approximately 46" (117 cm).

ELECTRICAL WIRING DIAGRAM



CABINET OPENING DIMENSIONS



A = 30" (76.2 cm) minimum vertical clearance between cooking surface and construction above the appliance. This clearance may be reduced to not less than 24" (60.96 cm) by protecting the underside of the combustible material or metal cabinet above the cooking surface with not less than 1/4" (0.635 cm) insulating millboard covered with sheet metal not less than 0.0122" thick.

B = 13" (33.02 cm) maximum depth of cabinets installed above cooktop.

Avoid use of cabinets above cooktop for storage space to eliminate associated potential hazards such as reaching over open flames.

Locate this appliance away from combustible materials such as window curtains and combustible wall decorations.

Minimum horizontal clearance between the edge of the appliance and combustible construction, extending from the cooking surface to 18" (45.72 cm) above the cooking surface:

C = 1.0" (2.54 cm) at rear

D = 6" (15.24 cm) at sides