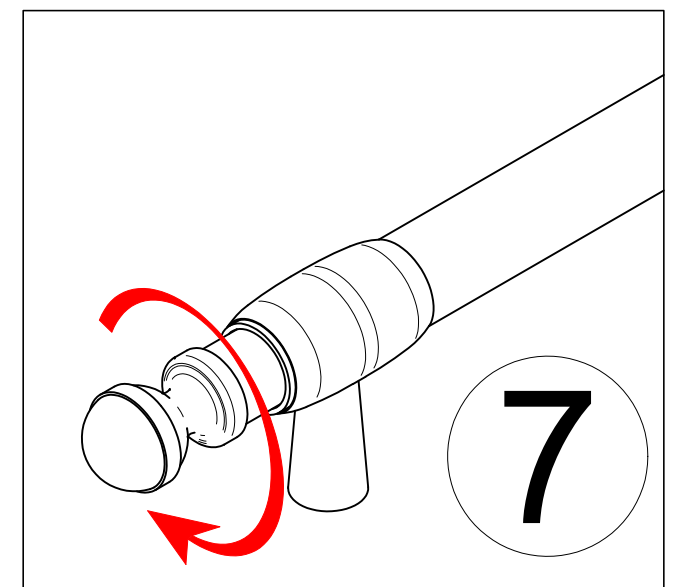
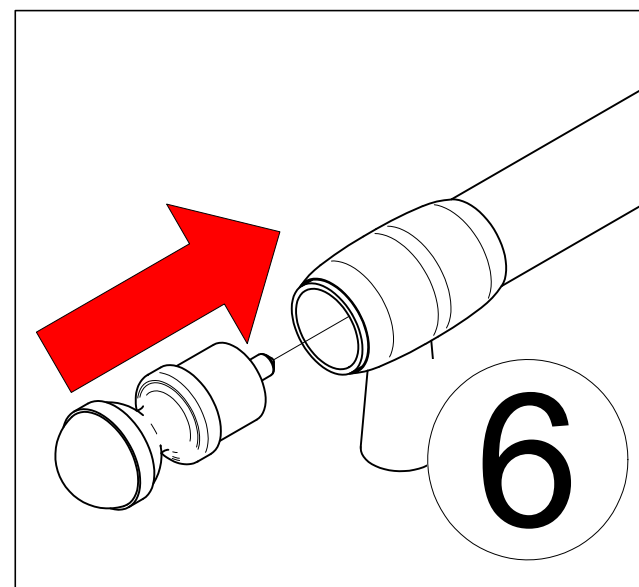
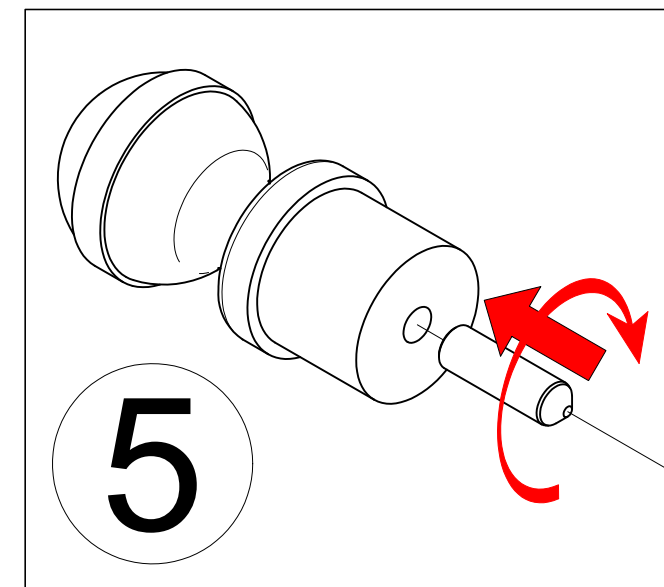
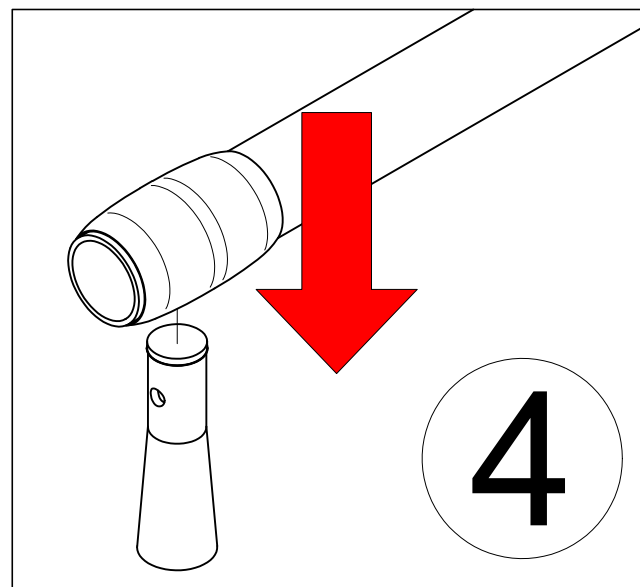
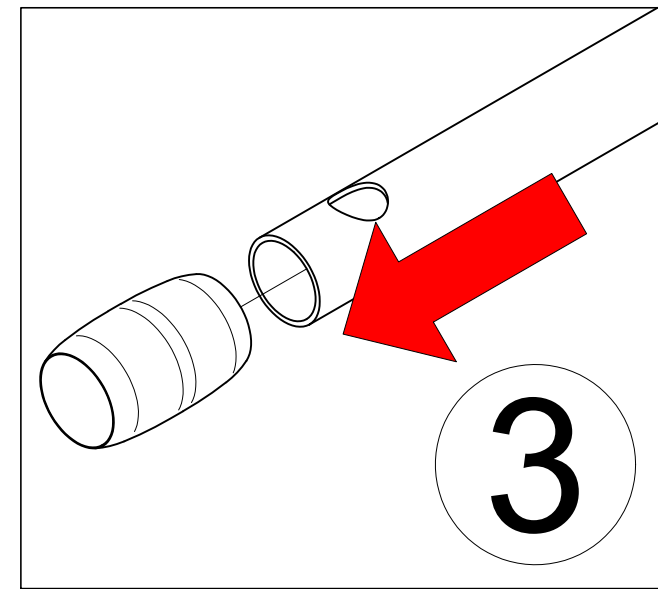
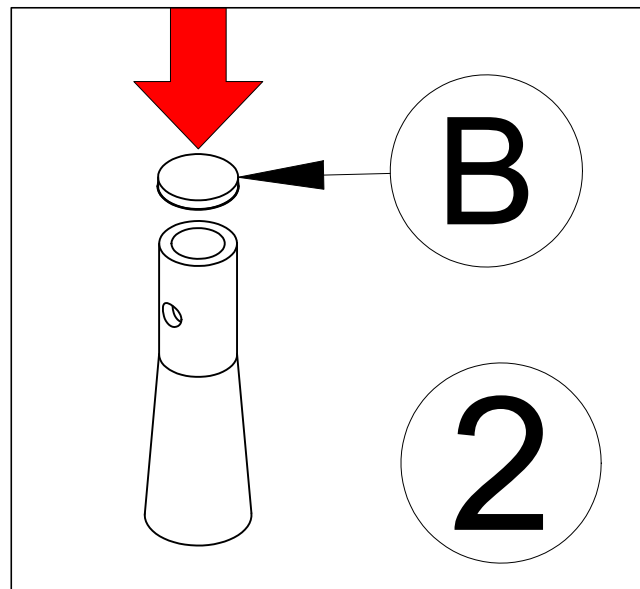
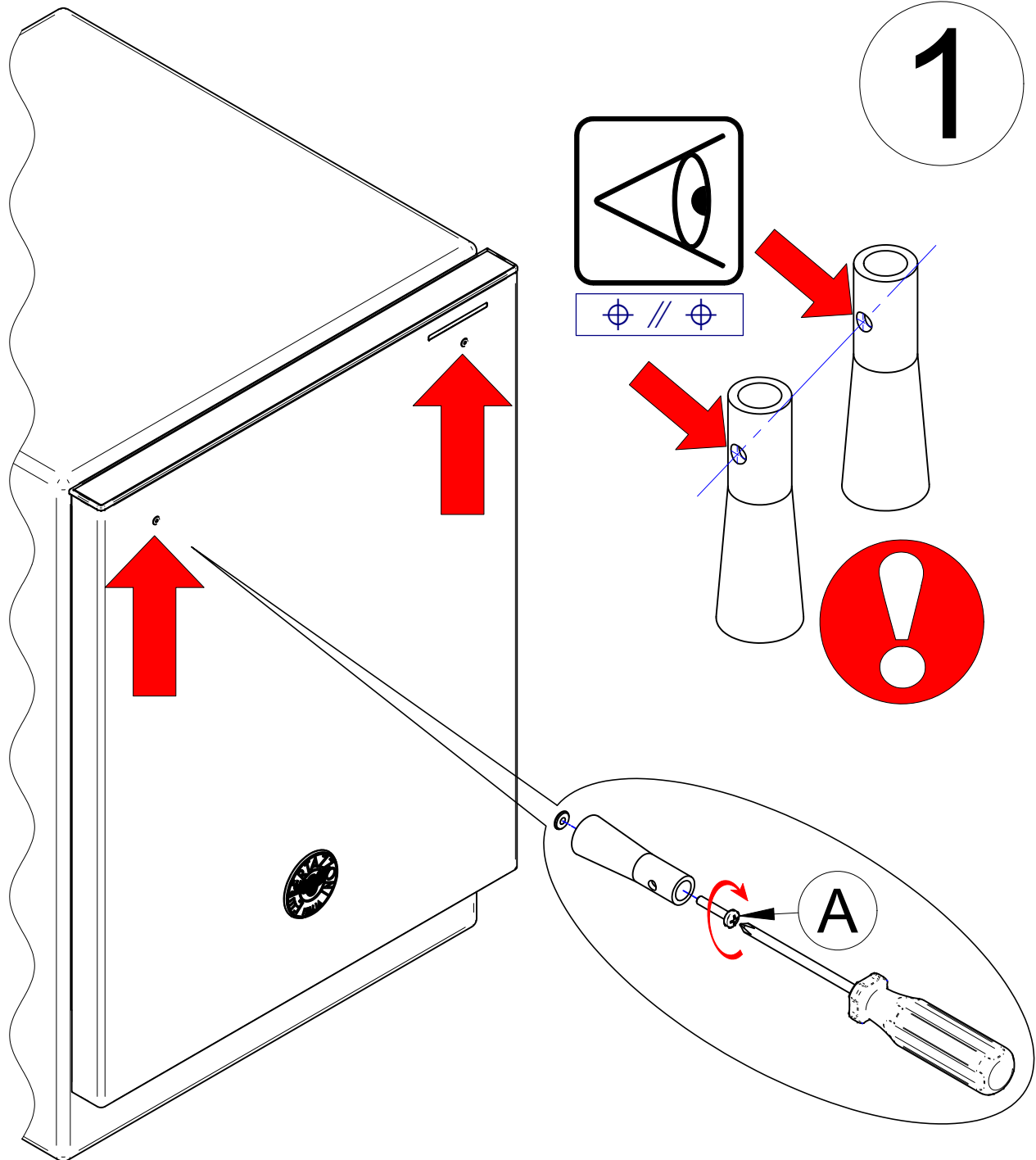
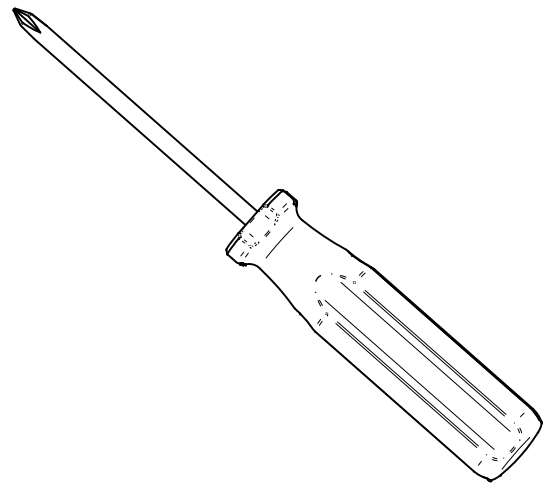
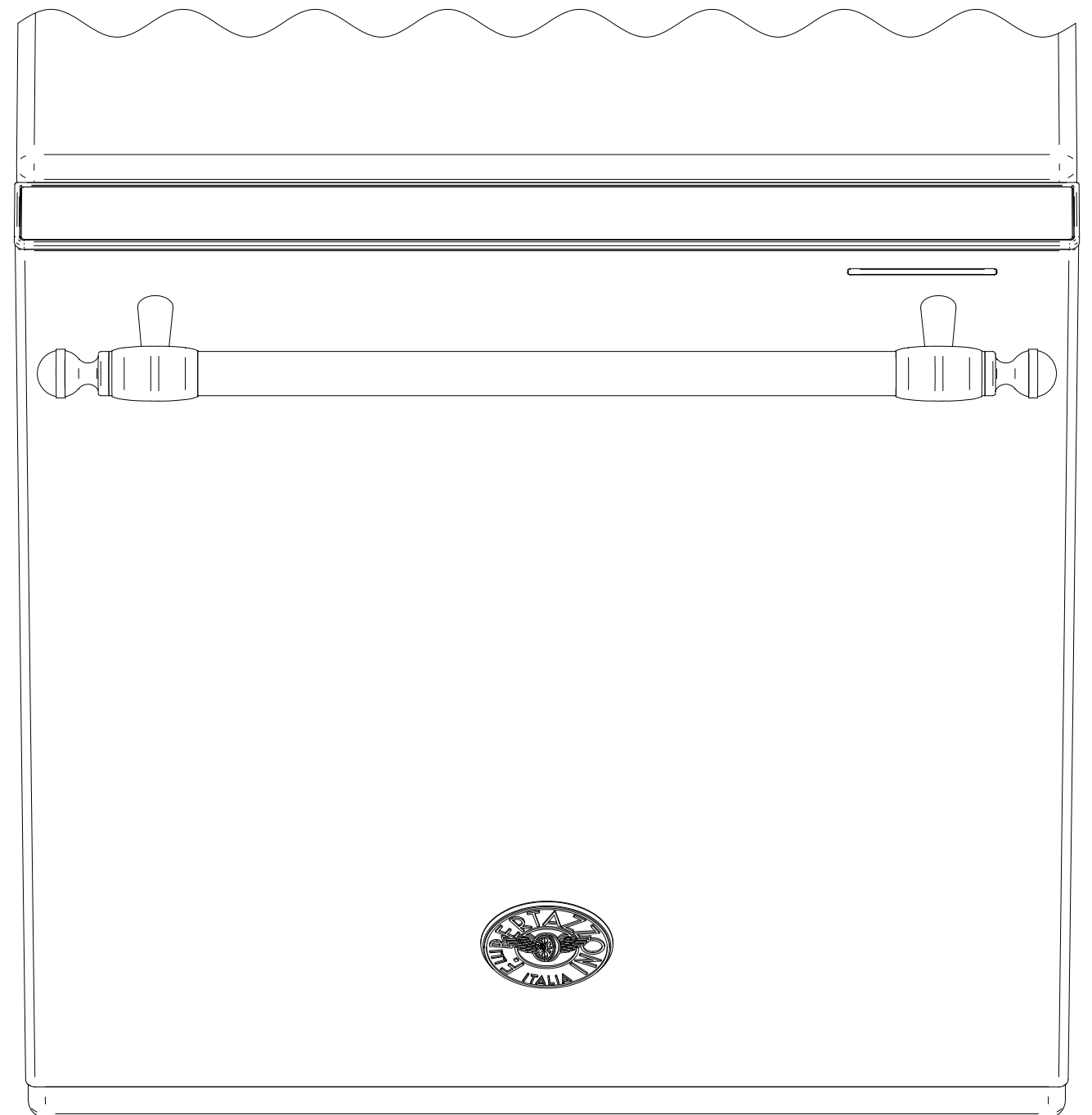
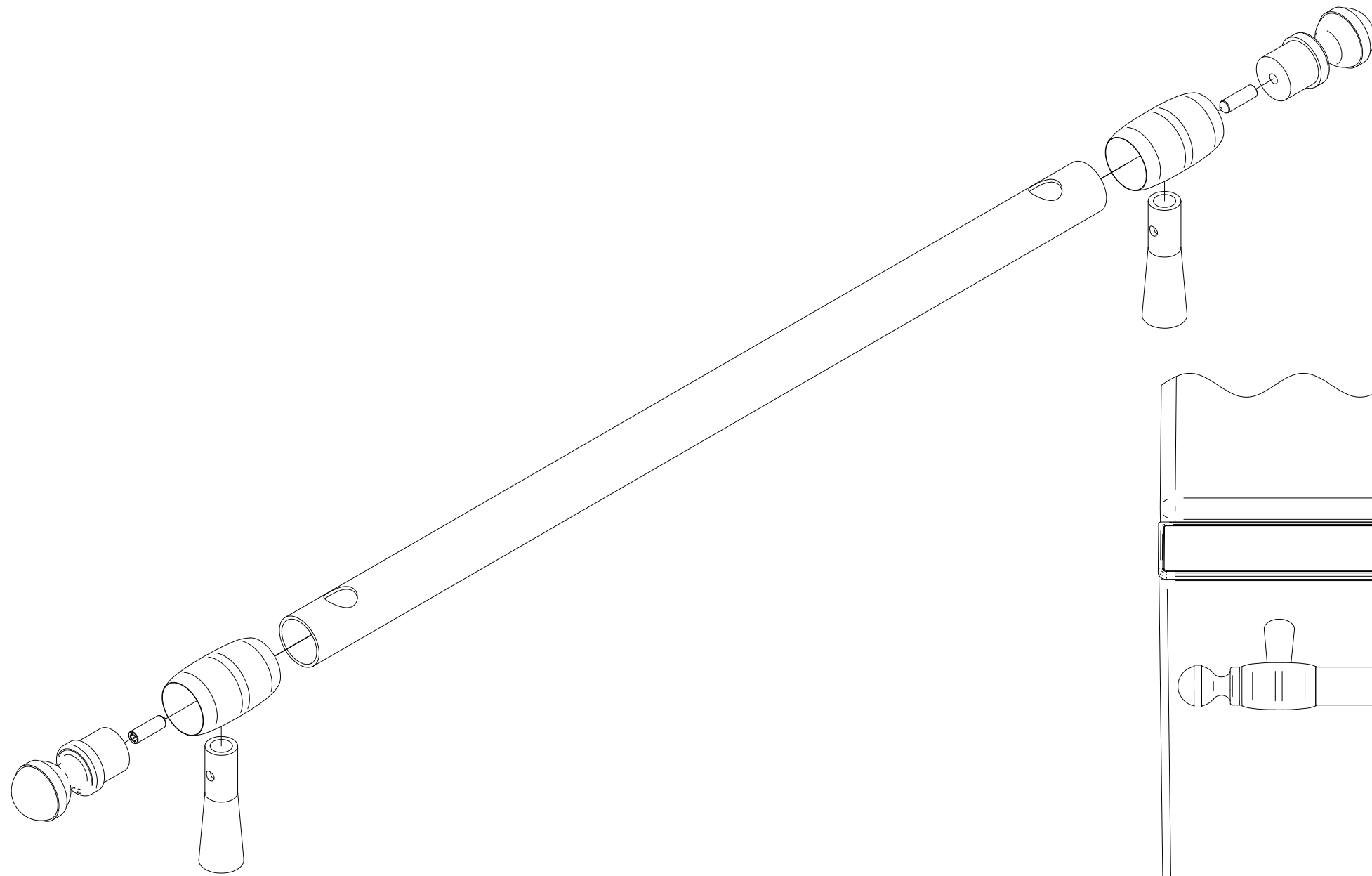


A x 2
B x 2





3070863