

---

## BERTAZZONI MASTER SERIES

36" UNDERMOUNT AND WALLMOUNT HOOD, 2 MOTOR  
K36 HD 2X



Dual-Motor Bertazzoni Master Series hoods are a bold design solution for the contemporary professional-style kitchen. The heavy-duty dual motors deliver a combined 1200 CFM extraction power with multiple settings. They can be installed under a cabinet or on the wall, with optional medium or wide duct covers. Stainless-steel baffle filters can be easily removed and are dishwasher safe.



## BERTAZZONI MASTER SERIES

### 36" UNDERMOUNT AND WALLMOUNT HOOD, 2 MOTOR K36 HD 2X

#### FEATURES

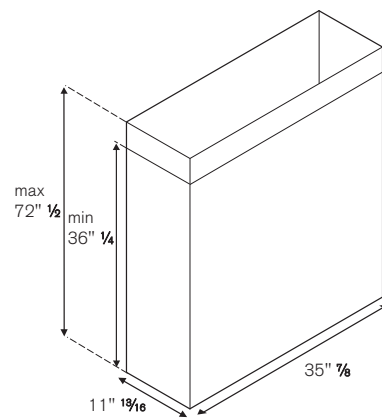
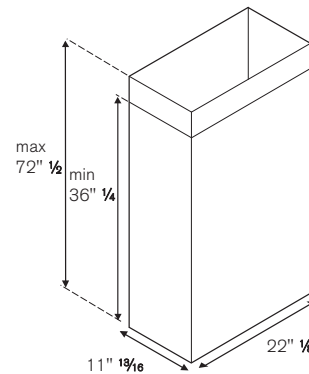
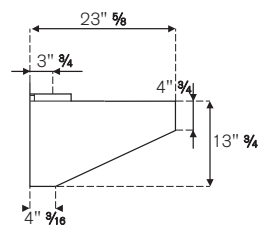
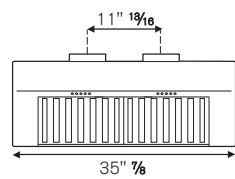
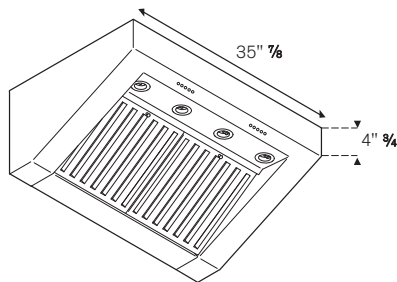
<b>Hood finishing</b>	stainless steel
<b>Motor</b>	2
<b>Speed</b>	3
<b>Hood control</b>	electronic with buttons
<b>Halogen lights</b>	4
<b>Filters</b>	baffle stainless steel
<b>Max extraction power</b>	1200 cfm

#### TECHNICAL SPECIFICATIONS

<b>Voltage, Frequency</b>	120 V, 60 Hz
<b>Max Amp usage, power rating</b>	6.6 A - 800 W
<b>Certification</b>	cETLus
<b>Warranty</b>	2 years parts and labor

#### ACCESSORIES

<b>Medium duct cover</b>	code 901263
<b>Full-width duct cover</b>	code 901265
<b>Air bracket</b>	code 901264



#### INSTALLATION INSTRUCTIONS

Bertazzoni recommends to operate the appliance after it has been properly installed. Please refer to the installation manual for further details.

**Disclaimer:** while every effort has been made to insure the accuracy of the information contained in this brochure, Fratelli Bertazzoni reserves the right to change any part of the information at any time without notice.

Fratelli Bertazzoni, Bertazzoni and the winged wheel brand icon are registered trademarks of Bertazzoni Spa.