

CHIMNEY HOOD
INSTALLATIONS INSTRUCTIONS

HOTTE DE CHEMINÉE
INSTRUCTION POUR LE MONTAGE



MODELS

K30 HER X/01

K36 HER X/01

K48 HER X/01



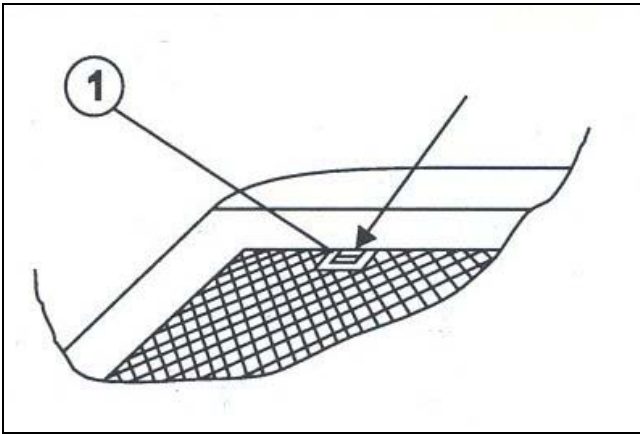


Fig. 1

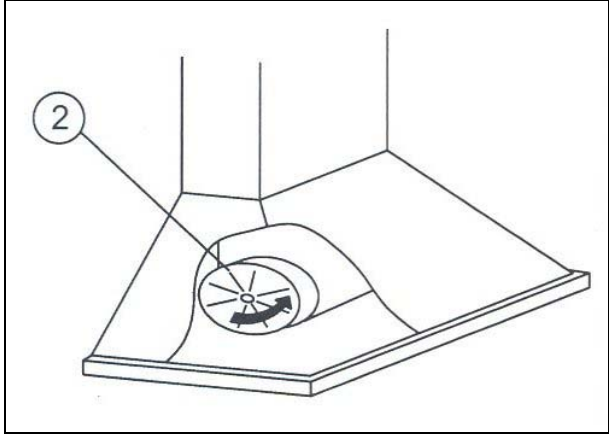


Fig. 2

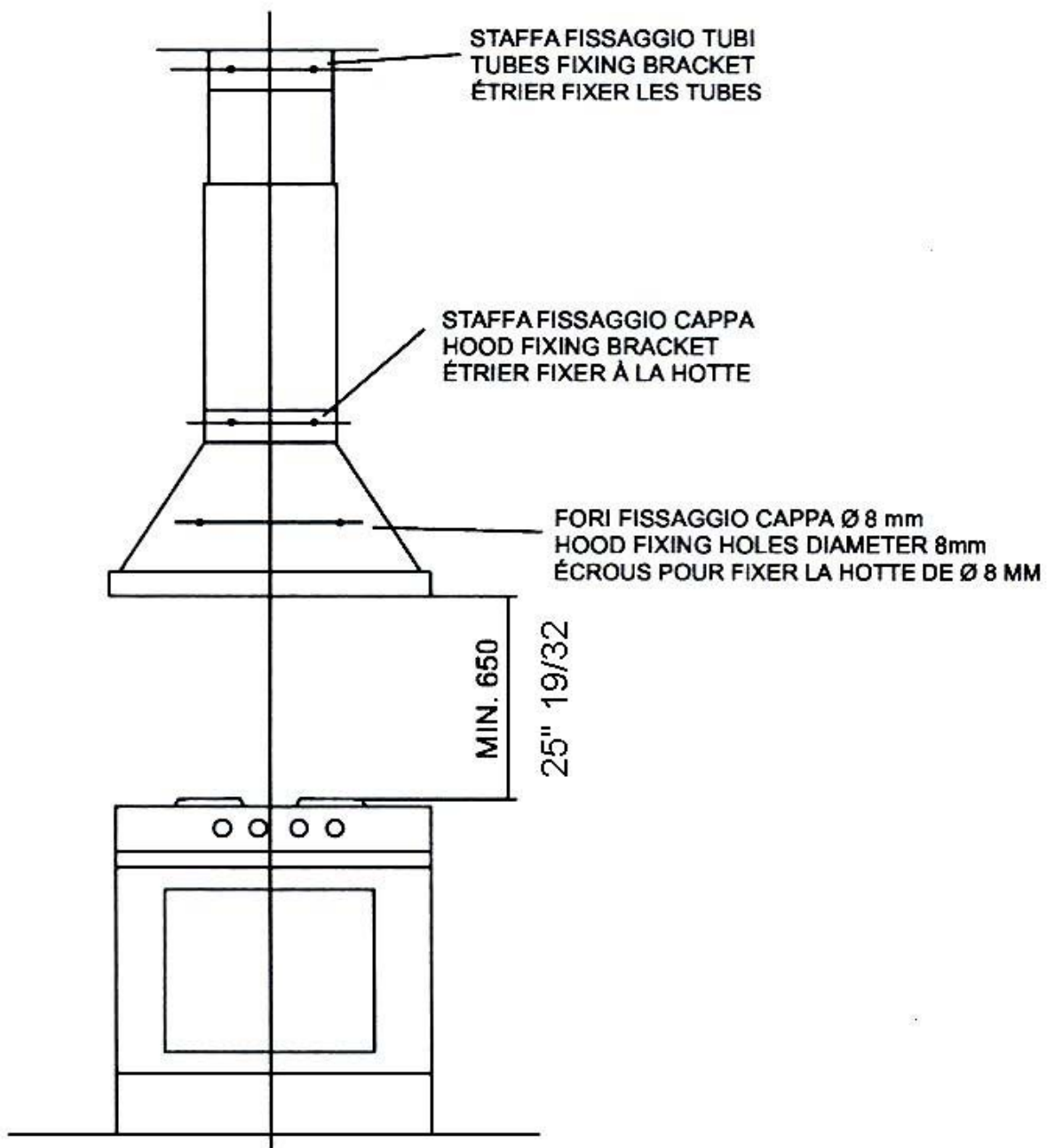


Fig.3

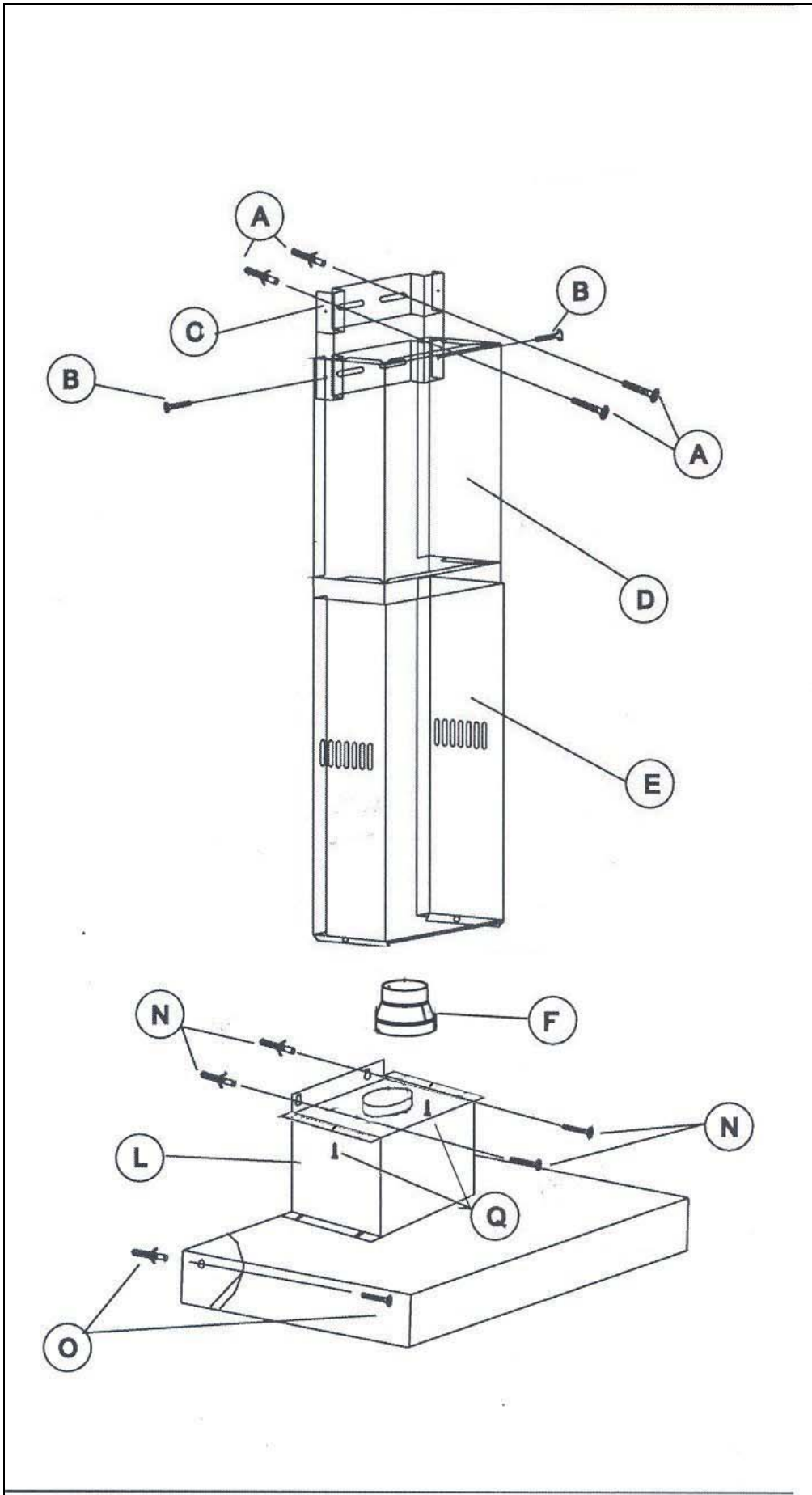


Fig.4

**ASSEMBLY INSTRUCTION
FOR
HOOD COVER**

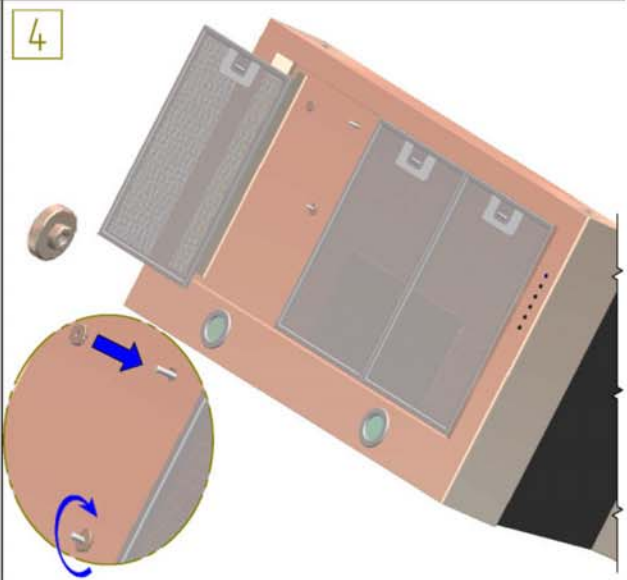
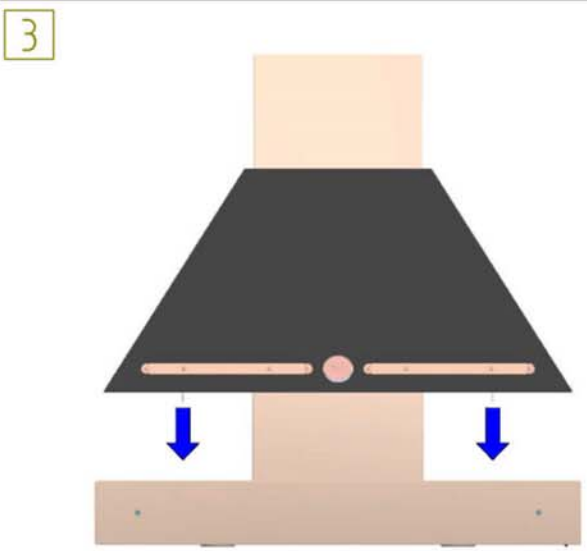
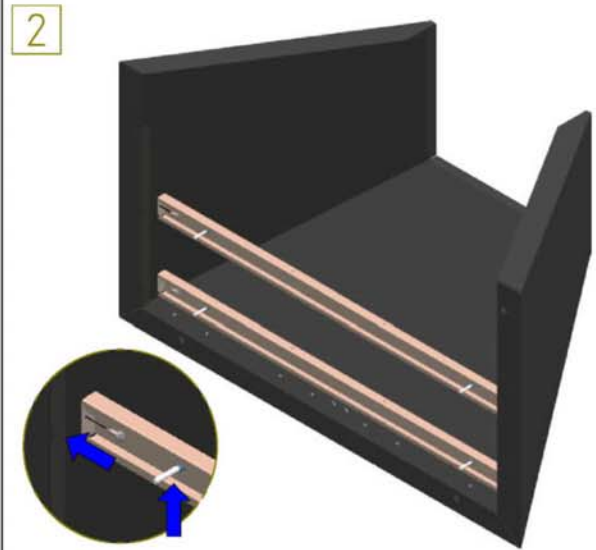
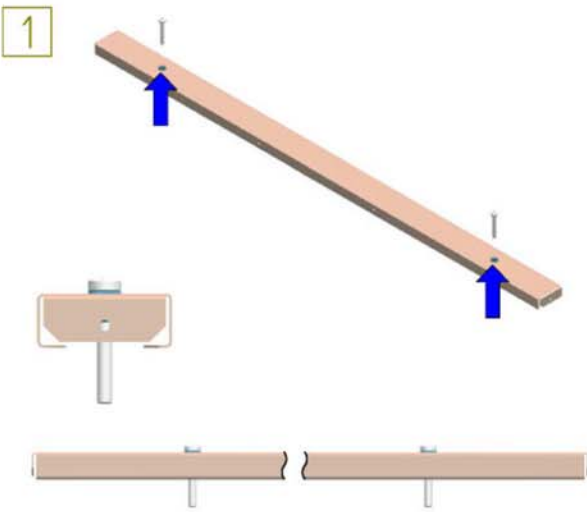
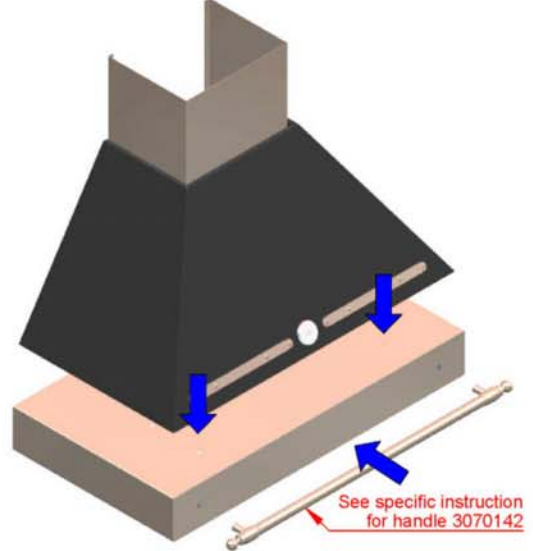
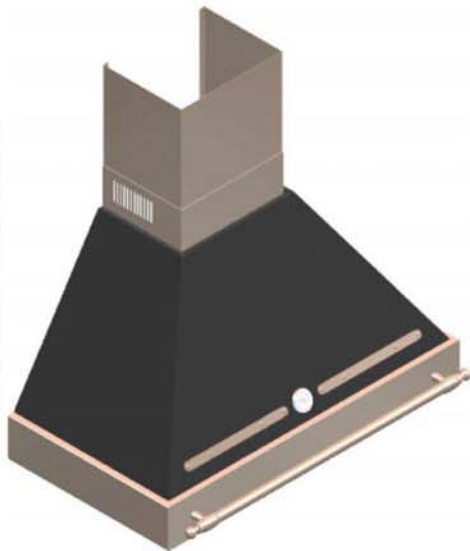


Fig.5

Introduction

Important safeguards

- Do not connect the exhaust hood to chimneys, flues and air ducts serving the room.
- The evacuated air must not be let into a warm air duct.
- This appliance must be connected to a system equipped with earth or ground plate.
- When performing maintenance operations, disconnect the appliance from the field connection.
- Do not do any flambé cooking underneath the hood. - When frying, never leave the pan alone because the cooking oil could flare up.
- Clean all the surfaces frequently to avoid danger of Fire. To do so use a cloth and or brush soaked in denatured ethyl alcohol. It is also important to remove and clean or substitute frequently the filter installed in the hood.
- It is advisable to utilise kitchens of the same width as the hood.

Read and save these instructions

PLEASE READ ALL INSTRUCTIONS CAREFULLY BEFORE COMMENCING INSTALLATION. CHECK THAT THE ELECTRICAL SUPPLY DATA QUOTED ON THE RATING PLATE OF THE APPLIANCE AGREES WITH THAT OF YOUR SUPPLY. (SEE NOTE "SAFETY REQUIREMENTS")

These instructions are designed to tell you of the various technical details of your cooker hood and to make you familiar with its use. Since these instructions cover more than one type of the hood within the same series, it may be that reference is made to components that do not form part of the hood that you are installing. The hood may be used as an exhaust hood.

Suggestions for using the hood in exhaust position

When an exhaust hood and a heat source requiring ambient air (e.g. gas, oil, coal stoves, etc.) are used at the same time, attention is required because the air necessary for combustion is exhausted from the room through the hood and, this creates depression. There is no such danger when the maximum depression in the room is 0,04mbar. In this condition no exhaust gas from the heat source is piped. To assure this condition, make openings in the room which cannot be closed (doors, windows, etc. are not sufficient) and through which the air necessary for combustion can freely flow.

Note: All the exhaust ductwork in the apartment or house should be studied. In case of doubts, get advice or authorization from the person or agency responsible for the building. When using gas burners, gas ovens, etc. as well as when using the hood in the filter version, these precautions are not necessary.

Note: The efficiency of the exhaust hood decreases as the length of the ducts and number of elbows increase. When using the exhaust version, follow these rules: Do not connect the exhaust hood to chimney, flues, and air ducts serving the room. Before venting into exhaust flues and ducts no longer in use, ask for the approval of the person or agency responsible for the building. The evacuated air must not be let into a warm air duct. For the evacuation of the exhausted air please note official instructions.

Installation

The hood must be mounted over the centre of the cooking area. The minimum distances between the cooking area and the underpart of the hood are 650 mm. (25"19/32).

Warning: If the room contains a flued fuel burning appliance which is not of the "balance flue" type make sure there is an adequate air inlet to the room at all times so that fumes are not drawn down the flue.

N.B. The distances, however, are subject to the safety rules in effect in the various countries. Before drilling the wall make sure that no pipes or cables will be damaged.

If there is no outer waste-pipe for the exhaust version, an air outlet with a diameter of Ø160mm (6"19/64), in case you use the spigot reduction (pict.4/F) you need an exhaust outlet

Attention: Take attention that the wall will support the weight of the cooker hood (about 30 Kg). The screws supplied with this rangehood are designed for fixing to reinforced concrete, masonry walls or hollow building blocks.

Wall fixing of the cooker hood

- 1) Set the distance between the cooker hob and the hood (Pict.3).
- 2) If your hood is fitted with a metal filter frame the mounting operation can be made more easily by removing it (Pict. 1) before beginning to work. The frame must be remounted when the operation is finished.
- 3) Drill the holes into the wall (Pict.4/N) at the right distance shown here after, and fix the cookerhood.
- 4) For a correct installation the hood is provided (in the rear side of its body) with one or two holes 8 mm (5/16) diam. into which one or two wall fixing screws must be inserted (Pict.4/O).
- 5) For the exhaust version, please connect the flange to an outlet ducting of 125 mm (4"591 64)diameter (Pict 4/F)

- Insure that all parts are properly fixed and that it is impossible to touch moving parts.

N.B.: When using a 150 mm (6") air outlet, do not fasten the air outlet pipe with the screws, as this might cause the metal valve to malfunction.

Installation of the pipes

- 1) Fix the bracket (Pict.4/C) with 2 plugs and screws (Pict.4/A) in the required height for the pipe.
- 2) Screw the short pipe (Pict.4/D) with 2 screws on the bracket (Pict.4/B).
- 3) Insert the 2 nuts in the holes on the lower part of the long pipe. Put the long pipe over the short one (Pict.4/E) by pulling a part of the laterals of the pipe.
- 4) Fix the long pipe with 2 screws on the hood (Pict. 4/Q).

Attention: The panel should be fitted over the body after installation and fixed using the special screws, (Pict. 5).

Electric connection

Attention: The appliance is provided with a supply cord and plug, the appliances must be positioned so that the plug is accessible.

Attention: if there are three wires in the electrical supply cable they must be connected as follows:

Green/yellow = ground -White = neutral -Black = line

Important: the hood manufacturer will not be responsible for any damage or loss caused by failure to observe these instructions. Important: a damaged power supply cord must be replaced by the service.

Operating instructions

The cooker hood should be switched on either before or at the same as cooking or frying commences. The grease and carbon filters are more effective if the fan is not switched off immediately after cooking or frying is completed, but only after a period of some 20-30 minutes. Before using the cooker hood please ensure that all plastic films like on metal grease filter and stainless steel ducting are removed.

User instructions

Working instruction of the cooker hood

User Instructions

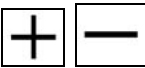
The cooker hood is equipped of the following functions:

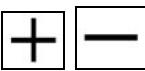


the symbol  shows the ignition key for the oven light (ON / OFF)




the symbol  shows the key switch ON/OFF of the motor aspirant



the symbols  shows the keys of the speeds of the motor. They increase and they decrease the speed of the motor (there are 4 levels of possible speeds)



the symbols  shows the key timer: the timer will run if the timer is pushed and will switch off the cooker hood after 15 minutes.

Lamp Replacement

When the tubular neon lamps need to be replaced this must only be done by a competent electrician because especial tool is required. To change low energy neon lamps and incandescent bulbs please work from outside of the hood means to pull off the lamp diffuser. If it has a halogen lamp look out not to touch it with your hands when you replace it. Use a dry and not greasy protection (for example a cloth) in order to avoid a direct contact with skin which could make the lamp break. Never use lamps with a wattage higher than the one shown on the label inside the hood.

Safety rules

Do not do any flambe cooking underneath the hood. When frying, never leave the pan alone because the cooking oil could flare up. Clean all the surfaces frequently to avoid danger of fire. This can be done with a cloth or/and with a brush drenched with denatured alcohol or with any other similar substances, except for the button area (pict. 3) and lamp diffuser. It is also important to remove and clean or substitute frequently the filter installed in the hood. This appliance is not intended for use by small children or infirm persons without supervision. Young children should be supervised to ensure that they do not play with the appliance.

Maintenance

NOTE: Prior to any maintenance, switch off and disconnect from electrical supply.

- 1) Under normal cooking conditions the grease filter should be cleaned every 10-15 days in hot water, to which a suitable detergent has been added. For reasons of efficiency and safety regular cleaning is advised. The grease filter may be subject to a small amount of shrinkage initially.
- 2) The outer casing of the Cooker Hood should be cleaned with a damp cloth.
- 3) Once a year, (more frequently with heavy usage), call a serviceman to clean the fan and air ducts to prevent build-up of flammable fat deposits.

Grease filter

This absorbs vapor-suspended grease particles and protects the kitchen and furniture from greasy residues. The filter should be washed every 10 to 15 days (in normal operating conditions). Dip the filter into a de-greaser solution or put it in the dish washer.

Make sure not to damage the filter, which is made of several layers of thin alloy, by hitting or crushing it. The aluminium filter will may change colour, that will have no influence of the efficiency of the filter, may it will improve it.

Replacing or cleaning the filters

To remove the aluminium grease filter (pict.1). grab the opening tongue at the filter, pull it in your direction and move the filter downwards. To reinstall it operate reversed.

Frame replacement or cleaning (only for cooker hoods with frame)

It is sufficient to remove the 2 screws located in the inner of the hood (pict. 4). Draw the two frame corners with equal

power in order to avoid its distortion or breakage. In order to replace the frame repeat the operation in the opposite direction.

Safety Requirements

Exhaust air must not be discharged into any chimney, or flue which may carry combustion products from other sources. In addition, exhaust air must not be discharged into a wall cavity unless designed for the purpose. Note instructions for cleaning fan as note «4» on «MAINTENANCE». Moreover it is important to clean regularly each filter of the hood or replace it. N.B. THE RANGEHOOD IS DESIGNED FOR INDOOR USE ONLY. UNDER NO CIRCUMSTANCES SHOULD THIS UNIT BE INSTALLED IN OUTDOOR CONDITION OR OVER A BARBECUE.

1) READ AND SAVE THESE INSTRUCTIONS

2) WARNING - TO REDUCE THE RISK OF A RANGE TOP GREASE FIRE:

- A. Never leave surface units unattended at high settings. Boilovers causes smoking and greasy spillovers that may ignite. Heat oils slowly on low or medium settings.
- B. Always turn hood ON when cooking at high heat or when flambing food (Le. Crepes Suzette, Cherries Jubilee, Peppercorn Beef Flambe').
- C. Clean ventilating fans frequently. Grease should not be allowed to accumulate on fan or filter.
- D. Use proper pan size. Always use cookware appropriate for the size of the surface element.

3) WARNING - To Reduce The Risk Of Fire Or Electric Shock, Do Not Use This Fan With Any Solid-State Speed Control Device.

4) WARNING - TO REDUCE THE RISK OF FIRE, ELECTRIC SHOCK, OR INJURY TO PERSONS, OBSERVE THE FOLLOWING:

- A. Use this unit only in the manner intended by the manufacturer. If you have questions, contact the manufacturer.
- B. Before servicing or cleaning unit, switch power off at service panel and lock the service disconnecting means to prevent power from being switched on accidentally. When the service disconnecting means cannot be locked, securely fasten a prominent warning device, such as a tag, to the service panel!

5) CAUTION - For General Ventilating Use Only. Do Not Use To Exhaust Hazardous Or Explosive Material And Vapors.

6) WARNING - TO REDUCE THE RISK OF INJURY TO PERSONS IN THE EVENT OF A RANGE TOP FIRE, OBSERVE THE FOLLOWING:

A. SMOTHER FLAMES with a close-fitting lid, cookie sheet, or metal tray, then turn off the burner. **BE CAREFUL TO PREVENT BURNS.**

If the flames do not go out immediately. **EVACUATE AND CALL THE FIRE DEPARTMENT.**

B. NEVER PICK UP A FLAMING PAN - You may be burned.

C. DO NOT USE WATER, including wet dishcloths or towels - a violent steam explosion will result.

D. Use an extinguisher ONLY if:

- 1. You know you have a Class ABC extinguisher, and you already know how to operate it.
- 2. The fire is small and contained in the area where it started.
- 3. The fire department is being called.
- 4. You can fight the fire with your back to an exit."

a. Based on "Kitchen Firesafety Tips" published by NFPA.

7) WARNING - TO REDUCE THE RISK OF FIRE, ELECTRIC SHOCK OR INJURY TO PERSONS, OBSERVE THE FOLLOWING:

A. Installation Work And Electrical Wiring Must Be Done By Qualified Person(s) In Accordance With All Applicable Codes And Standards, Including Fire-Rated Construction.

B. Sufficient air is needed for proper combustion and exhausting of gases through the flue (chimney) of fuel burning equipment to prevent backdrafting. Follow the heating equipment manufacturer's guideline and safety standards such as those published by the National Fire Protection Association (NFPA), and the American Society for Heating, Refrigeration, and Air Conditioning Engineers (ASHRAE) and the local code authorities

C. When cutting or drilling into wall or ceiling, do not damage electrical wiring and other hidden utilities.

D. Ducted fans must always be vented to the outdoors.

E. If this unit is to be installed over a tub or shower, it must be marked as appropriate for the application and be connected to a GFCI (Ground Fault Circuit Interrupter)- protected branch circuit.

F. NEVER place a switch where it can be reached from a tub or shower.

8) WARNING - To reduce the risk of fire, Use only metal ductwork.

Précautions importantes à suivre:

- Ne pas lier la hotte à cheminée, tubes et conduits d'air indispensables à la pièce.
- L'air qui est aspiré ne doit pas être émis par un conduit d'air chaud.
- Cet appareil doit être joint à une installation qui se fournit à terre ou par une évacuation à terre.
- Durant le nettoyage de l'appareil il est préférable débrancher la prise de courant.
- Ne pas effectuer de cuisson à flamme haute sous la hotte.
- Attention, ne pas perdre de vue la casserole quand vous faites frire car l'huile peut s'enflammer.
- Nettoyer souvent toutes les surfaces pour éviter le risque d'incendie. Utilisez un chiffon ou une brosse imprégnée d'alcool dénaturé. Il est également très important enlever et nettoyer ou remplacer souvent le filtre installé dans la hotte.
- Il est nécessaire d'utiliser des plans de cuisson de la même largeur que la hotte.

Lire et garder ces instructions.**Introduction**

La présente notice a pour but de vous faire connaître les différents équipements techniques de votre appareil et de vous familiariser avec son utilisation. Cette notice s'applique à plusieurs modèles de ce type de hotte. Il se peut donc qu'elle mentionne des éléments de commande dont votre appareil n'est pas doté. Les accessoires peuvent changer selon les pays. Nous nous réservons de modifier le produit sans préavis toujours dans la perspective d'une amélioration et dans le respect des normes. La hotte est utilisable en version aspirante.

Normes pour l'emploi de la hotte à la position aspirante

Quand, avec la hotte aspirante, il fonctionne aussi une source de chaleur qui a besoin de l'air du milieu (chaudière à gaz, huile ou charbon etc) il faut faire attention car à l'aide de la hotte on aspire du milieu l'air dont on a besoin pour la combustion, en créant une dépression à une valeur de 0,04 mbar, à ces conditions, on évite l'aspiration des gaz de décharge de la source de chaleur. Tel résultat est obtenu en effectuant dans le milieu des ouvertures qui ne peuvent pas être obstruées (il ne s'agit ni de portes ni de fenêtres) et dans lesquelles puisse entrer l'air nécessaire à la combustion.

N.B. Pour donner un avis il faut considérer le conduit de décharge prévu dans l'appartement. En cas de doute il faut se faire conseiller ou se faire donner l'autorisation par le responsable de l'édifice. Pour l'emploi des cuisinières à gaz four etc. et l'emploi de la hotte à la position filtrante ces précautions ne sont pas nécessaires.

N.B. L'efficacité de la hotte aspirante est d'autant plus grande que le tuyau d'évacuation est court et le nombre de coudes réduits. En version aspirante

il faut observer les indications suivantes. Pour la connexion de la hotte aspirante, il est interdit de relier la décharge à des conduits de fumée, canaux de décharge ou cheminées pour l'aération du milieu. Avec une décharge dans les cheminées hors fonction il est conseillé d'avoir l'autorisation du responsable de l'édifice. L'air ne doit pas être conduit vers une entrée où circule l'air chaud. Pour l'évacuation de l'air aspiré il faut observer les prescriptions requises.

Montage - Pose de l'appareil

La hotte doit être fixée directement au centre du plan de cuisson. La distance minimum entre le plan de cuisson et la surface inférieure de la hotte doit être de 650 mm. (25"19/32).

N.B. Telles distances sont soumises aux normes de sûreté en vigueur dans les différents pays. Avant de percer le mur faire attention à ne pas endommager aucune tuyauterie. En cas d'absence de tuyau de déchargement à l'extérieur pour la version aspirante, il faudra effectuer une sortie air sur le mur du diamètre de Ø160mm, (6"19/64). dans le cas où on utilise une réduction de la bride (Fig.4/F), il faudra effectuer un orifice ayant un diamètre de 130mm (5"1/8). S'assurer que le mur supporte le poids de la hotte (poids de 30 Kg environ). La confection des vis est appropriée pour la fixation sur béton armé, briques et brique creuse.

Montage de la hotte au mur

1) Définir la distance entre la hotte et le plan de cuisson (Fig. 3).

2) Afin de faciliter le montage, si votre hotte a un cadre filtre en métal, l'enlever avant de commencer le montage (Fig.1). Ensuite remonter le cadre.

3) Faire les trous au mur pour le fixage de l'ensemble moteur-hotte (Fig. 4/N) à la juste distance du plan de cuisson comme en annexe. Ensuite accrocher la hotte au mur.

4) Pour une installation correcte, la hotte a un ou deux trous de 8 mm. (5/16) diamètre (sur la partie postérieure du logement) où doivent être introduits une ou deux vis pour le blocage au mur (Fig. 4/O).

5) Pour la hotte relier à la collerette un tuyau de sortie d'air Ø 125 mm (4"59/64) (Fig. 4/F). Veuillez vous assurer que toutes les parties soient bien fixées et que les parties en mouvement soient bien protégées.

N.B.: En cas d'évacuation de l'air à 150 mm (6"), il ne faut pas fixer le tuyau d'évacuation de l'air au moyen de vis, afin d'éviter tout risque de fonctionnement incorrect de la soupape en métal.

Montage des tubes

1) Fixer la barre mur (Fig. 4/C) selon la hauteur des tubes désirée et à l'aide de 2 vis avec tasseaux (Fig. 4/A).

2) Fixer le tube court (Fig. 4/D) à la barre à l'aide des 2 vis (Fig. 4/B).

3) Appliquer du devant le tube long (Fig. 6/E) en ouvrant légèrement les 2 parties latérales.

4) Fixer la hotte à l'aide des 2 vis le tube long (Fig. 4/E), après avoir placé les écrous recouverts.

Attention: Monter le panneau au-dessus de la coque installée précédemment et le fixer grâce aux sous-vis spéciales, les vis et le bouchon sont fournis avec la hotte (Fig. 5).

Assemblage électrique

Contrôler que l'alimentation électrique correspond à celle qui est indiquée sur le manuel de l'appareil.

Attention: Si l'appareil a trois fils colorés dans le conducteur électrique, il faut les interpréter ainsi :

Jaune/vert = Terre - Blanc = Neutre - Noir = Ligne

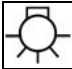
N.B. La maison de fabrication ne prend aucune responsabilité au cas où les précautions à prendre n'ont pas été respectées. N.B. Si le conducteur électrique est endommagé adressez-vous au service d'après-vente.


N.B. Pour changer le câble alimentation endommagé, appeler le Service Après Vente.

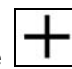
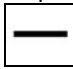
La hotte doit être mise en fonction au plus tard au début de la cuisson. Avant de mettre la hotte en fonction, retirer toutes les pellicules de protection, par exemple celles qui se trouvent sur les filtres anti-graisse en aluminium ou sur les tubes en acier inox.


Mode d'emploi de la hotte

La hotte est dotée des suivants commandements (Fig.3) :

le symbole  indique le touche d'allumage de la lumière (ON/OFF) (Fig.3/1)

le symbole  indique le touche d'allumage moteur aspirant (ON/OFF) (Fig.3/2)

le symbole   ils augmentent et diminuent la vitesse du moteur (il y a 4 niveaux de vitesses possibles) (Fig.3/3)

le symbole  indique le temps: lorsque la hotte est allumée, si on appuie sur ce bouton après 15 minutes la hotte s'éteint automatiquement. (Fig.3/4)

Remplacement des lampes

Pour la substitution des lampes néon tubulaires, appeler le Service Après Vente

Pour la substitution des lampes fluorescentes à bas consommation d'énergie et des lampes à incandescence, agir de l'extérieur de la hotte en enlevant le cache-lampe.

Si votre hotte a une lampe halogène durant le remplacement faire attention à substitution à ne jamais toucher la lampe avec le mains. Utiliser une protection quelconque qui ne soit pas grasse (ex. chiffon en étoupe) pour éviter le contact direct avec la peau autrement la lampe pourrait éclater. Il ne faut jamais monter des lampes avec une puissance supérieure à celle qui est indiquée sur l'étiquette située à l'intérieur de la hotte.

Normes de sécurité

Il est interdit de flamber des mets sous la hotte. Les friteuses doivent être contrôlées durant l'emploi: l'huile surchauffée s'enflamme facilement. Afin d'éviter un incendie il faut nettoyer fréquemment la turbine et les autres surfaces. Cela peut être effectué avec un chiffon et /ou un pinceau imbibé d'alcool éthylique dénaturé ou dérivés d'alcool, excepté la partie des commandes (Fig. 3) et le cache-lampe. Il est important, de démonter de nettoyer ou de substituer fréquemment chaque filtre installé sur la hotte.

Entretien

N.B. En cas d'intervention, désinsérer la prise de courant. L'air des vapeurs et les odeurs sont aspirés en premier à travers le filtre acrylique. Le bon fonctionnement de l'appareil dépend du bon état des filtres.

Filtre anti-graisse

Il absorbe les particules de graisse qui se trouvent dans les vapeurs en protégeant la cuisine et les meubles des résidus gras. Il doit être lavé tous les 10/15 jours (en conditions normales de fonctionnement) avec détergent ou dans le lave-vaisselle. Durant telle opération, attention à ne pas endommager le filtre en le pliant car il est composé par plusieurs couches d'aloi léger. Le filtre aluminium peut brunir, cela ne compromet pas l'efficacité du filtre, mais cela pourrait améliorer les performances du même

Remplacement ou nettoyage

Pour retirer le filtre anti-graisse en aluminium (Fig.1), prendre le filtre par la languette d'ouverture, plier cette dernière vers soi et baisser le filtre en avant. Pour remettre en place le filtre, effectuer l'opération décrite ci-dessus à rebours.

1) LISEZ ET CONSERVEZ CES INSTRUCTIONS

2)Attention : pour réduire le risque d'incendie de graisse sur le plan de cuisson :

A. Ne laisser jamais sans surveillance les fourneaux quand vous cuisinez à une température élevée. En se chauffant trop, cela crée des fumées et des éclaboussures de graisses qui peuvent s'enflammer. Chauffer lentement et à basse flamme l'huile.

B. Allumer toujours la hotte quand vous cuisinez à température élevée ou quand vous faites un flambé (par exemple : Crepes Suzette, Cherries Jubilee, Peppercorn Beef Flambé).

C. Avoir toujours propre les filtres et les surfaces sales de graisses. La graisse ne doit pas se déposer dans la hotte ou dans les filtres.

D. Utiliser toujours des casseroles et des ustensiles appropriés au type de fourneau utilisé et à la quantité de nourriture que vous cuisinez.

3)ATTENTION: pour réduire le risque d'incendie ou de court circuit n'utilisez en aucun cas cet appareil sans réglementation de la vitesse permanente.

4)ATTENTION: POUR RÉDUIRE LE RISQUE D'INCENDIE ET DE COURT CIRCUIT ET POUR NE CAUSER AUCUN DANGER À AUTRUI OBSERVER ATTENTIVEMENT LES POINTS SUIVANT:

A.Utiliser cet appareil seulement comme il a été conçu par son producteur. Si vous avez quelque demande à faire, il suffit simplement de le contacter.

B.Avant de réparer ou de nettoyer l'appareil appuyer sur le bouton OFF sur le tableau de contrôle et bloquez-le de façon à empêcher qu'il soit allumé par erreur. Quand les interrupteurs ne peuvent être bloqués, appliquer une étiquette d'avertissement à côté du panneau de contrôle.

5)ATTENTION: seulement en cas de ventilation générale. Ne pas utiliser de matériaux et de vapeurs dangereux ou explosifs pour aspirer.

6)ATTENTION: POUR ÉVITER LE RISQUE DE SE BLESSER EN CAS D'INCENDIE DE GRAISSE SUR LE PLAN DE CUISSON OBSERVER LES CONSEILS SUIVANT:

A.ABBAISSER LA FLAMME avec un couvercle adhérent, un couvercle en filet ou un plateau en métal, ensuite éteignez les fourneaux. **FAITES ATTENTION DE NE PAS VOUS BRULER.** Si vous n'êtes pas capables d'éteindre les flammes **ALLEZ DEHORS ET APPELEZ LES POMPIERS.**

B.NE PRENER JAMAIS UNE CASSEROLE EN FLAMME ENTRE LES MAINS car vous risquez de vous brûler.

C.N'UTILISER PAS D'EAU pas de chiffon ou de serviette mouillée car vous pouvez créer une explosion de vapeur.

D.Utiliser l'extincteur SEULEMENT dans le cas suivant : 1.Si vous avez un extincteur de classe ABC et seulement si vous savez l'utiliser.

2.Seulement s'il y a peu de feu et s'il est contenu dans la pièce où il a pris.

3.Si vous avez contacté les sapeurs pompiers.

4. Vous pouvez faire face au feu en ayant tourné le dos à la sortie.

7) ATTENTION: POUR RÉDUIRE LE RISQUE D'INCENDIE ET DE COURT CIRCUIT ET POUR NE CAUSER AUCUN DANGER À AUTRUI OBSERVER ATTENTIVEMENT LES POINTS SUIVANT:

A.L'opération d'installation et de branchement électrique doivent être fait par un personnel qualifié selon tous les codes et les normes appliquées, incluant la classification d'incendie.

B.Il est nécessaire que la pièce soit bien aérée pour avoir une combustion correcte et pour l'aspiration des gaz à travers le conduit d'évacuation pour l'appareil à combustion et pour prévenir dans le cas où il y aurait un appel d'évacuation. Suivre les instructions et les normes de sécurité du producteur de chauffage (voir celle publiée par la National Fire Protection Association : NFPA et celle de la American Society for Heating, Refrigeration and Air Conditioning Engineers : ASHRAE et les prescriptions des autorités locales.

C.Lorsque vous coupez ou vous forez un mur ou un plafond faites attention à ne pas endommager les branchements électriques ou les autres installations cachées.

D.Les appareils pour aspirer doivent avoir une évacuation externe.

E.Si cette unité est installée près d'une baignoire ou d'une douche, il faut qu'elle ait la marque d'aptitude pour ce type d'application et qu'elle soit branchée à un interrupteur différentiel avec un circuit de dérivation protégé.

F.Ne JAMAIS mettre l'interrupteur à côté d'une baignoire ou d'une douche.

8)Pour réduire le risque d'incendie, n'utiliser que des conduits en métal.

Cod. 310586