

---

Instruction Manual

**EN**

---

Guide de l'utilisateur

**FR**

---



# **PROCS30X**

# **MASCS30X**

Grounding Instructions .....	2
Safety Information .....	3
Safety Instructions .....	5
Description of your oven.....	6
Basic settings .....	8
Basic Functions .....	11
Special Functions .....	14
Filling the water tank .....	15
When the oven is working.....	16
Usage, Tables and Tips .....	17
Cooking with the Broiler .....	22
Cooking with Convection.....	23
Cooking with Convection.....	24
Care and maintenance .....	25
Oven Cleaning.....	28
What should I do if the oven doesn't work?.....	29
Technical characteristics .....	30
Installation instructions .....	31
Installation dimensions .....	68

Dear Customer,

Before going any further, we want to thank you for preferring our **BERTAZZONI** product. We are sure that this modern, functional and practical steam oven, manufactured with top quality materials, will fully meet your expectations.

We ask you to read the instructions in this booklet very carefully as this will allow you to get the best results from using your steam oven.

KEEP THE DOCUMENTATION OF THIS PRODUCT FOR FUTURE REFERENCE.

**Always keep the instruction manual handy. If you lend the steam oven to someone else give them the manual as well!**

The user manual is also available for download at [www.bertazzoni.com](http://www.bertazzoni.com)


# Grounding Instructions

**This appliance must be connected to a grounded, metallic, permanent wiring system, or an equipment grounding conductor should be run with the circuit conductors and connected to the equipment grounding terminal or lead on the appliance.**

**Warning! IMPROPER USE OF THE GROUNDING CAN RESULT IN A RISK OF ELECTRICAL SHOCK.**

**Please refer to the Installation Instructions for further information.**

# Safety Information

 Carefully read the instructions before installing and using the equipment. The manufacturer is not liable for improper installation and use of the equipment that may cause injuries and damage. Always keep the instructions at hand, so they can be easily referred to during use.

## IMPORTANT SAFEGUARDS

**When using electrical appliances, basic safety precautions should always be followed including the following:**

1. Proper Installation – Be sure your appliance is properly installed and grounded by a qualified technician.
  2. Never Use Your Appliance for Warming or Heating the Room.
  3. Do Not Leave Children Alone – Children should not be left alone or unattended in area where appliance is in use. They should never be allowed to sit or stand on any part of the appliance.
  4. Wear Proper Apparel – Loose-fitting or hanging garments should never be worn while using the appliance.
  5. User Servicing – Do not repair or replace any part of the appliance unless specifically recommended in the manual. All other servicing should be referred to a qualified technician.
  6. Storage in or on Appliance – Flammable materials should not be stored in an oven
  7. Do Not Use Water on Grease Fires – Smother fire or flame or use dry chemical or foam-type extinguisher.
  8. Use Only Dry Potholders – Moist or damp potholders on hot surfaces may result in burns from steam. Do not let potholder touch hot heating elements. Do not use a towel or other bulky cloth.
  9. Use Care When Opening Door – Let hot air or steam escape before removing or replacing food.
  10. Do Not Heat Unopened Food Containers – Build-up of pressure may cause container to burst and result in injury.
  11. Keep Oven Vent Ducts Unobstructed.
  12. Placement of Oven Racks – Always place oven racks in desired location while oven is cool. If rack must be moved while oven is hot, do not let potholder contact hot heating element in oven.
  13. DO NOT TOUCH HEATING ELEMENTS OR INTERIOR SURFACES OF OVEN – Heating elements may be hot even though they are dark in color. Interior surfaces of an oven become hot enough to cause burns. During and after use, do not touch, or let clothing or other flammable materials contact heating elements or interior surfaces of oven until they have had sufficient time to cool.
- This Steam Oven is for household use.

# Safety Information

## Safety of children and vulnerable adults

- ⚠ **WARNING!** Risk of choking, injury or permanent disability.
- This appliance can be used by children aged 8 years and above and persons with reduced physical, sensory or mental capabilities or lack of experience and knowledge if they are given supervision or instructions concerning how to use the appliance in a safe way and understand the hazards involved.
- Children should not play with the appliance.
- Keep packaging materials away from children. **Risk of suffocation!**
- Keep children away from the appliance during operation or when cooling.
- Cleaning and maintenance should not be done by children without supervision.

## Warnings on general safety

- During installation, follow the instructions supplied separately.
- Only qualified personnel can install the appliance and replace the cable.
- ⚠ **WARNING:** The appliance and its accessible parts become hot during use. Care should be taken to avoid touching heating elements. Children less than 8 years of age shall be kept away unless continuously supervised.
- During use the appliance becomes hot. Care should be taken to avoid touching heating elements inside the oven.
- ⚠ **WARNING:** Accessible parts may become hot during use. Young children should be kept away.
- Do not use steam cleaners to clean the appliance.
- Do not use abrasive detergents or metal scrapers to clean the appliance.
- The electric connection is made via an omnipolar switch, which is suitable for the intensity to be tolerated and which has a minimum gap of 3mm between its contacts, which will ensure disconnection in case of emergency or when cleaning the crockery warmer. If a plug is used for the electric connection, then it must be accessible after installation.
- The connection should include correct earthing, in compliance with current norms.
- Disconnect the appliance from the power supply before carrying out any maintenance operation.

# Safety Instructions

## **WARNING!**

Before connecting the appliance compare the power data (voltage and frequency) indicated on the characteristics plate with those of the power supply in question. If these data do not match there may be problems. In case of doubt, contact an electrician.

## **WARNING!**

If the electrical wire plug is removed, the appliance must be installed and connected by a technician. Contact a qualified electrician who knows and respects current safety standards. The manufacturer cannot be held responsible for damage resulting from fitting or connecting errors.

## **WARNING!**

The electrical safety of the appliance can only be guaranteed if it is earthed. The manufacturer cannot be held responsible for damage resulting from the absence of or defects in the installation's protection system (e.g. electrical shock).

## **WARNING!**

Only use the appliance once it has been fitted into its built-in position. Only in this manner can it be guaranteed that users cannot access the electrical components.

## **WARNING!**

Never open up the appliance's frame. Possible contacts with electrical conducting parts or changes to electrical or mechanical components

may represent a danger to users' safety and prejudice the correct working of the appliance.

## **WARNING!**

Repairs and maintenance, especially of parts carrying electrical current, must only be done by technicians authorised by the manufacturer. The manufacturer and retailers do not accept responsibility for any damaged caused to people, animals or property as a result of repairs and maintenance carried out by non-authorised personnel.

## **WARNING!**

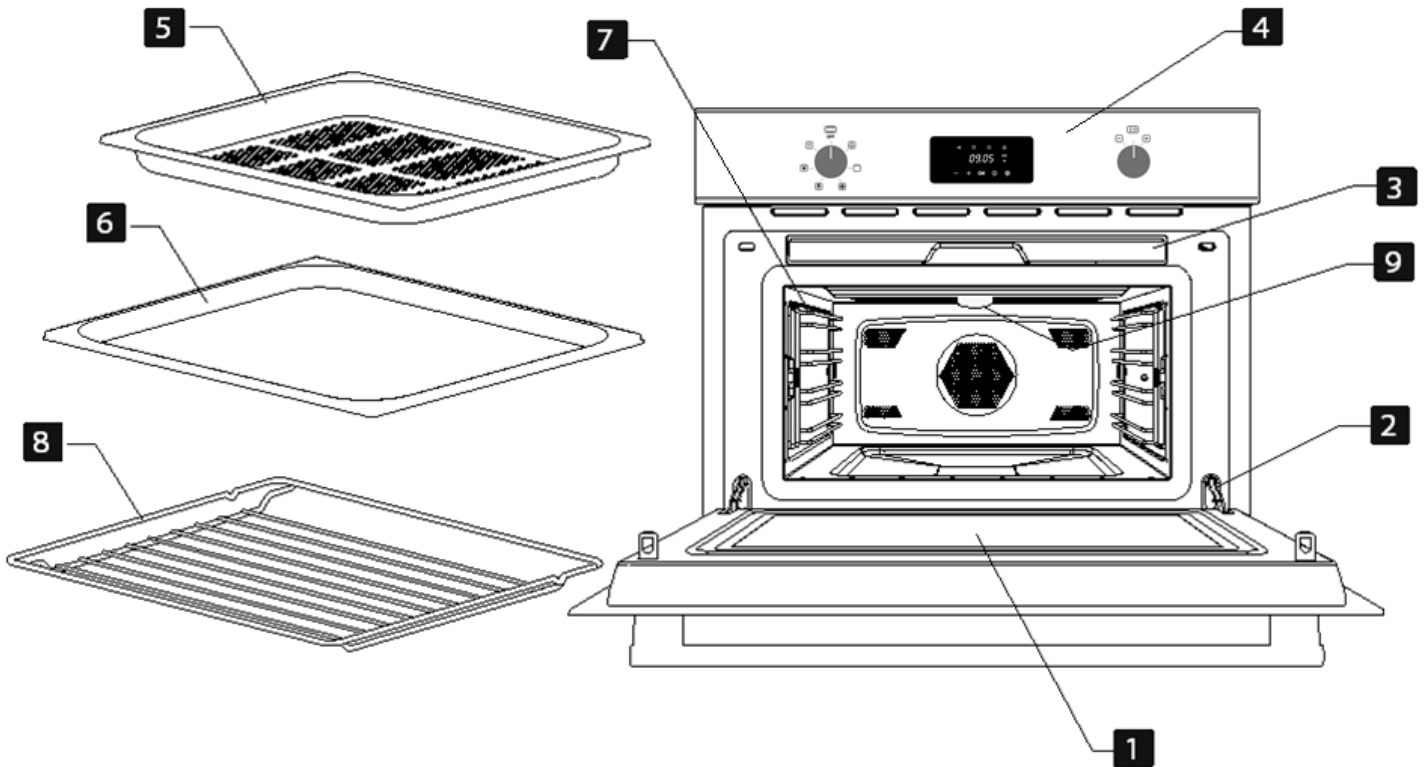
Repairs undertaken during the guarantee period must only be done by technicians authorised by the manufacturer. If this is not the case then any damage resulting from the repair in question is excluded from the guarantee

## **WARNING!**

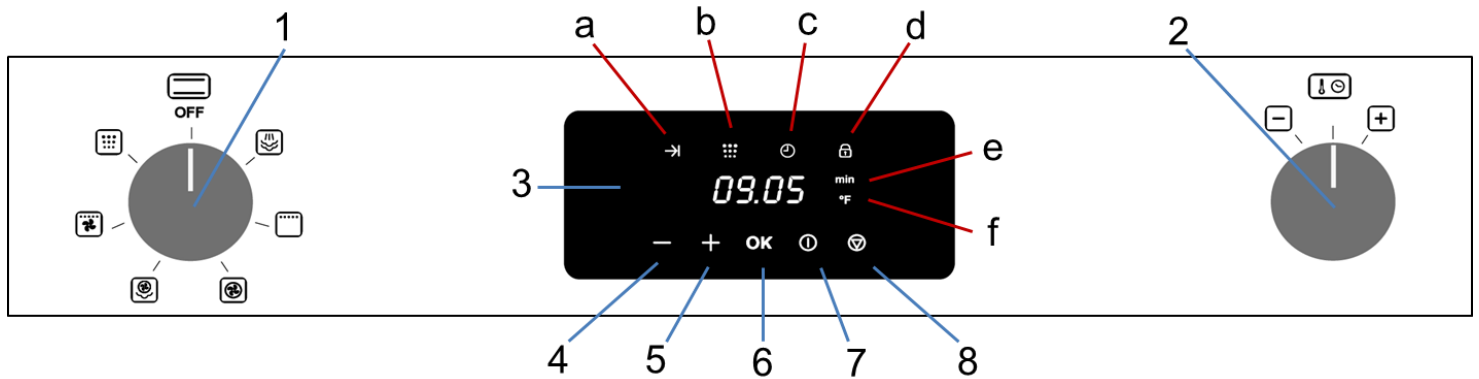
The appliance must be disconnected from the electrical current when installation and repair work is being done. To disconnect the appliance from the current, one of the following conditions must apply:

- The switchboard fuses / circuit breakers must be disconnected.
- The plug should be removed from the socket. To remove the plug from the socket do not pull on the electric cable but rather pull out the plug itself directly.

# Description of your oven









- 1. – Door window glass
- 2. – Safety catches
- 3. – Water tank
- 4. – Control panel
- 5. – Perforated baking tray
- 6. – Baking tray
- 7. – Shelf guides
- 8. – Rack
- 9. – Lamp bulb



- 1. Function Selector knob
- 2. “+” / “-“ Selector knob
- 3. Display
- 4. “-“ key
- 5. “+“ key
- 6. OK key
- 7. Start key
- 8. Stop key
- a. Delayed Start indicator
- b. Descale indicator
- c. Clock indicator
- d. Safety Block indicator
- e. Operating Time / Duration indicator
- f. Temperature indicator

## Description of your oven

### Description of Functions

Symbol	Function	Foods / Function
	Steam	Cooking vegetables and food. Cooking and heating carefully. Heating and cooking small portions of food.
	Broiler	Broiling food.
	Convection	Roasting and baking.
	Steam + Convection	Cooking meals with hot damp circulating air. Cooking potatoes, rice. Moist garnishing.
	Broiler + Fan	Broiling meat and fish.
		Broiling poultry.
		Potatoes – deep frozen, defrosting and roasting.
	Water Hardness / Descaling	Water Hardness setting / Descaling function



## Basic settings

### Initial Settings

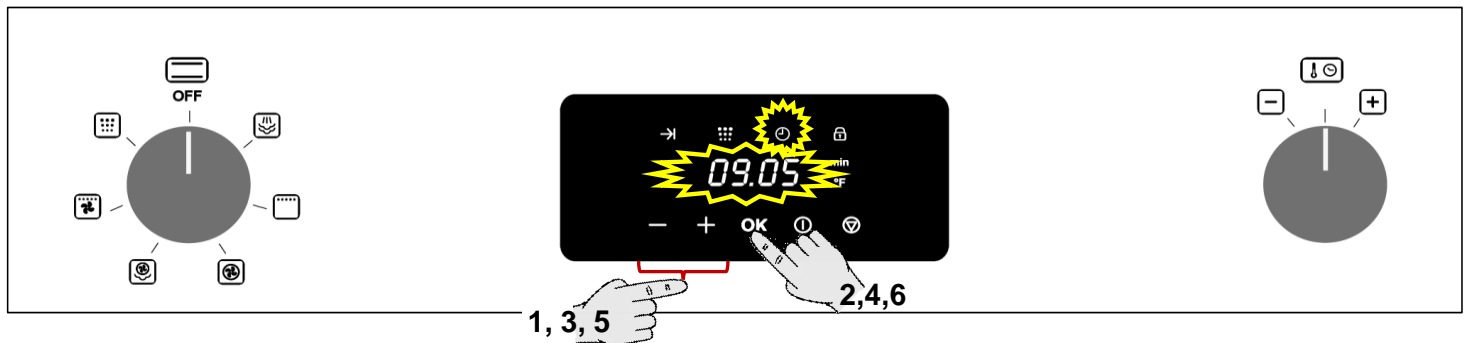
After your steam oven is first plugged in or after a power failure, the clock display will flash to indicate that the time shown is not correct.

The oven will not operate until the clock and the water hardness parameter is set.

To set the clock and the water hardness parameter value proceed as described in the following chapters:

### Setting the clock

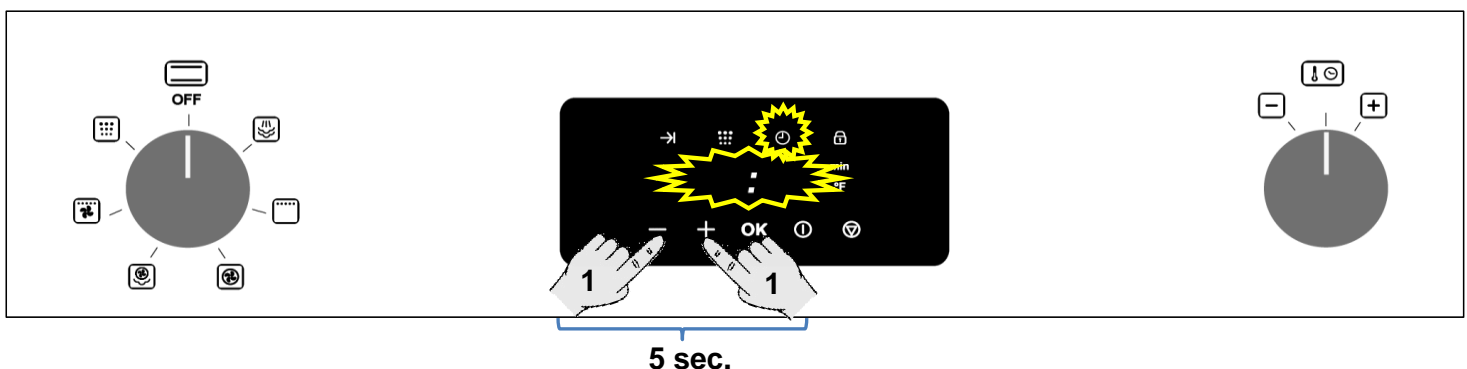
Before using the oven, adjust the clock through the procedure described below but starting on Step 3. To set the clock, proceed as follows:



1. Press the “+” key until the **Clock Indicator Light** starts to flash.
2. Press the **OK** key.
3. Press the “+” and “-“ keys to set the correct hour value.
4. Press the **OK** key to validate the hour value. The minute numbers will start to flash.
5. Press the “+” and “-“ keys to set the correct minute value.
6. To finish, press the **OK** key again.

### Hiding / Displaying the Clock

If the clock display disturbs you, you can hide it by proceeding as follows:



1. To block, the oven press the “+” key and the “-“ key simultaneously for 5 seconds. The dots that separate the hours and minutes and the clock symbol will flash, but the rest of the clock display will be hidden.
2. If you want to see the clock display again, press the “+” and “-“ keys again for 5 seconds.

## Water Hardness setting

The system can be optimised for households with very soft water (also through using a water softening appliance) and very hard water, by changing the user settings to the relevant range of water hardness (see table below). To set the water hardness parameter, proceed as follows:

(The appliance features a system that automatically indicates when it is time to descale, showing the message “*CaL*”.)



1. Rotate the **Function Selector knob** to the position corresponding to the **Water Hardness Setting** / Descaling function (not necessary after connecting the device to the network, or after a power failure). The water hardness indicator light begins to flash.
2. Turn the “+” / “-” **Selector Knob** to set the correct water hardness parameter value, according to the below table.
3. Press the **OK** key to set the parameter (or wait until the parameter is set by time-out). The clock is displayed.

Type	Water hardness				Display
	Ca + Mg (ppm)	English deg. [°eH]	French deg. [°dF]	German deg. [°dH]	
Soft water	0 to 150	0 to 11	0 to 15	0 to 8	SOFT
Medium water	151 to 350	12 to 25	16 to 35	9 to 20	MED
Hard water	501 to 500	26 to 35	36 to 50	21 to 28	HARD

## Child Lock

The oven can be blocked against improper use (e.g., to prevent children from using it).

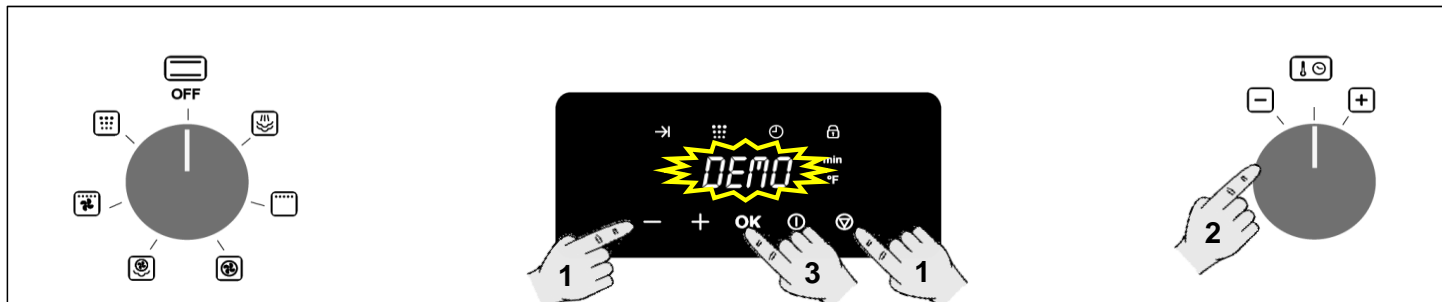


1. To block, the oven press the **Stop** key for 3 seconds. The display shows the **Safety Block indicator light**. If a key is pressed now, the the oven will not operate.
2. To unlock, press again the **Stop** key for 3 seconds.

## Basic settings

### Showroom mode

In the Showroom mode the oven works like described in every function, but there will be no heating.



1. To enter the **Showroom mode** press simultaneously the “-“ key and the **Stop** key for 5 seconds. The display shows the messages “**DEMO**” and “**OFF**” intermittently (showing the actual status).

2. Turn the “+”/ “-“ **Selector Knob** to the left or right to alternate status (“**OFF**” or “**On**”).

3. Press the **OK** key to validate.

**Note:** To exit the **Showroom mode** proceed in the same manner.

## Steam function

Use this function to cook all sorts of vegetables, rice, fish and meat. It is also suitable for extracting juice from berries and for simultaneous defrosting, cooking and regenerating.



1. Rotate the **Function Selector knob** to the position corresponding to the **Steam** function. The **Temperature indicator** and the display flash indicating "210°F" (by default).
2. Turn the "+"/"-" **Selector Knob** to the left or right to set the desired temperature (120°F to 210°F).
3. Press the **OK key** to confirm. The **Duration indicator** will start to flash.
4. Turn the "+"/"-" **Selector Knob** to the left or right to set the desired duration (for example, to 10 minutes).
5. Press the **START key**. The oven will start to operate.

## Broiler

Use this function to brown the surface of food quickly.



1. Rotate the **Function Selector knob** to the position corresponding to the **Broiler** function. The **Operating Time Indicator Light** and the Display start to flash.
  2. Turn the "+"/"-" **Selector Knob** to the left or right to set the desired operating time.
  3. Press the **Start key**. The oven will start to operate.
- Note:** The cooling fan keeps on working for some time. When the temperature has dropped sufficiently, the fan will switch itself off.

## Basic Functions

### Convection

Use this function to bake and roast.



1. Rotate the **Function Selector knob** to the position corresponding to the **Convection** function. The **Temperature indicator** and the display flash indicating “350°F” (by default).
2. Turn the “+”/ “-“ **Selector Knob** to the left or right to set the desired **temperature**.
3. Press the **OK key** to confirm. The **Duration indicator** will start to flash.
4. Turn the “+”/ “-“ **Selector Knob** to the left or right to set the desired **duration**.
5. Press the **Start key**. The oven will start to operate.

**Note:** The cooling fan keeps on working for some time. When the temperature has dropped sufficiently, the fan will switch itself off.

### Convection + Steam

Use this function to rapidly bake the foods.



1. Rotate the **Function Selector knob** to the position corresponding to the **Convection + Steam** function. The **Temperature indicator** and the display flash indicating “350°F” (by default).
2. Turn the “+”/ “-“ **Selector Knob** to the left or right to set the desired **temperature**.
3. Press the **OK key** to confirm. The **Duration indicator** will start to flash.
4. Turn the “+”/ “-“ **Selector Knob** to the left or right to set the desired **duration**.
5. Press the **Start key**. The oven will start to operate.

**Note:** The cooling fan keeps on working for some time. When the temperature has dropped sufficiently, the fan will switch itself off.

## Broiler + Fan

Use this function to cook lasagne, poultry, baked potatoes and casseroles.



1. Rotate the **Function Selector knob** to the position corresponding to the **Broiler + Fan** function. The **Operating Time Indicator Light** and the Display start to flash.
2. Turn the “+”/ “-“ **Selector Knob** to the left or right to set the desired operating time.

3. Press the **Start** key. The oven will start to operate.

**Note:** The cooling fan keeps on working for some time. When the temperature has dropped sufficiently, the fan will switch itself off.

## Special Functions

### Delayed Start Time

Use this function to program the start of the cooking to a different time.



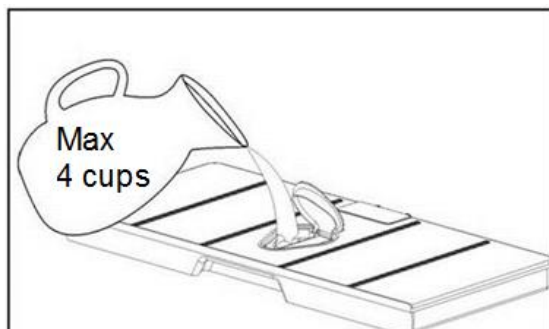
1. Rotate the **Function Selector knob** to the desired function position (This function works with: Steam function, Convection, Convection + Steam).
2. Set the parameters (e.g.: **operating time, temperature**) as described in the "Basic Functions".
3. Press the "**OK**" key (instead of Start) to enter the **Delayed Start Time**. (The Delayed Start indicator flashes in the display.)
4. Turn the "+"/ "-" **Selector Knob** to the left or right to adjust the delayed start time. (0:00 appears by default on the display and you can delay the start of the programme up to 9 hours and 59 minutes - 9:59).
5. Press the **Start** key to validate the delayed start time.
6. The cooking duration and delayed start (+ respective indicators) will be displayed alternating.
7. The delayed start will start counting down
8. The oven will start to operate when the delayed start reaches 00:00.

## Filling the water tank

### Filling the water tank

All steam functions require the water tank to be full.

Fill the water tank up with cold, fresh drinking water (approximately 4 cups / 1 liter) and introduce it into the slot located above the cavity until you hear a click.



If the indication “rES” appears, it means that the water tank was not properly inserted.

**NOTE: No sterilized or distilled water can be used for cooking with the steam oven. The minerals in the water are actually essential for the cooking process to work’.**

### Refilling the water

The contents of the water tank normally suffice for one cooking session of 50-60 minutes.

If, however, the water tank needs to be refilled, the Water refill light switches on.



**Only fill the water tank up to a maximum of 2 cups to ensure that the water does not overflow when it is pumped back to the water tank. RISK OF OVERFLOW.**

### Emptying the water tank

When the appliance is switched off, the residual water is pumped back into the water tank.

While the water is being pumped the display shows “PUMP”.

This message stays on until the temperature of the water reaches 167° F before it can be pumped back to the water tank.

**Warning: the water in the tank may be hot. Danger of burns!**

After the water is pumped back to the water tank, the display will show the message “EMP” requiring the following actions:

- Remove and empty the water tank.
- Dry the water tank and introduce it back into the slot located above the cavity. Clean and dry the cooking space.
- Leave the appliance door open so that the cooking space can cool down and dry completely.

**IMPORTANT NOTE: It is advisable to remove the water tank and empty it after a cooking cycle. This prevents the formation of bacteria and limestone inside the appliance.**

If the water tank has not been removed from the oven and a new cooking cycle is started, the oven displays the warning “EMP”.

This warning can be cleared by pressing the **Stop** key and proceed with the new cooking cycle without removing and emptying the water tank.



## When the oven is working...

### Interrupting a cooking cycle

You can stop the cooking process at any time by pressing the **Stop** key once.

The oven incorporates a steam-reduction function that is activated when the **Start/Stop** key is pressed to gradually release the steam from the cavity, so that there is no sudden rush of steam when the appliance door is opened.

This function takes around 3 minutes and during it the display shows the word “VAP”.

**Warning! When opening the door during or upon completion of the cooking cycle, be careful of the flow of Convection and/or steam coming out of the cooking chamber. Step back or to the side to avoid burns.**

At this point:

- The steam generation is interrupted.
- The cavity walls and the water tank are still very hot. **Danger of burning!**
- The timer stops and the display shows the remaining operating time (if this has been set).

If you wish, at this point you can:

1. Turn or stir the food to ensure it will be evenly cooked.
2. Change the cooking parameters.

To restart the process, close the door and press the **Start** key.

### Altering parameters

The duration can be altered when the cooking process has been interrupted by turning the rotating knob. The new duration defined is valid when the display stops blinking.

The temperature can only be altered when the oven is interrupted. Alter the temperature by pressing the **Function Selector** key and turning the **Rotating Knob** until the new temperature is blinking. Validate the selection by pressing again the **Function Selector** key.

### Cancelling a cooking cycle

If you wish to cancel the cooking process, press the **Stop** key for 3 seconds.

You will then hear a beep and the “**END**” will appear on the **display**.

### End of a cooking cycle

At the end of the set duration or when you press the **Stop** key to finish the cooking cycle, you will hear three beeps and the display will show the word “**End**”, the oven starts the steam-reduction function.

This function gradually releases the steam from the cavity, so that there is no sudden rush of steam when the appliance door is opened.

This function takes around a minute and during it the display shows the word “**VAP**”.

**Warning! When opening the door during or upon completion of the cooking cycle, be careful of the flow of Convection and/or steam coming out of the cooking chamber. Step back or to the side to avoid burns.**

The cooling fan can continue to run for a certain length of time after the appliance has been switched off. This is a normal function that is meant to reduce the temperature inside the oven.

When the display shows the word “**EMP**”, this means that the water was pumped and that the water tank can be removed.

Remove the water tank and dry it thoroughly. Let the cooking space cool down for a moment and then clean and dry it with a cloth. The door should be left open for some time so that the appliance can dry completely.

### Residual water in the oven

To reduce the residual water in the oven, it is recommended to insert a tray in the bottom rack level. The condensation released from the food begins to drip on the tray. The remaining residual water can be easily dried with a cloth.

## Usage, tables and tips

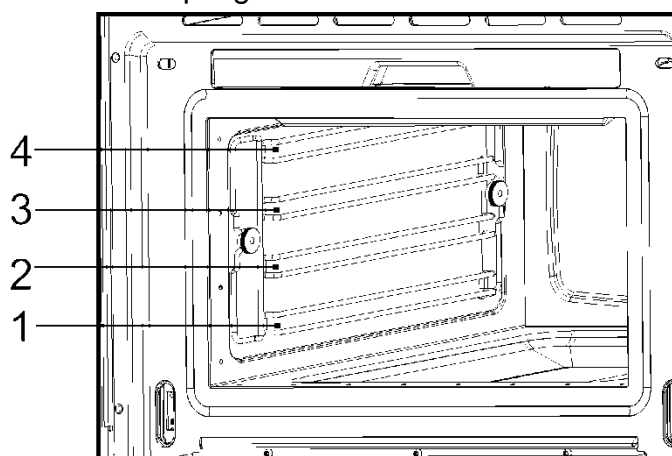
The perforated container is suitable for cooking fresh or deep frozen vegetables, meat and poultry. In this case it is important that the non-perforated container is introduced into the first level. This way, dripping liquids are collected and the appliance does not get dirty. The perforated container with the food should be inserted into the second level.

The non-perforated container is used to steam sensitive foods, e.g. compotes and dumplings.

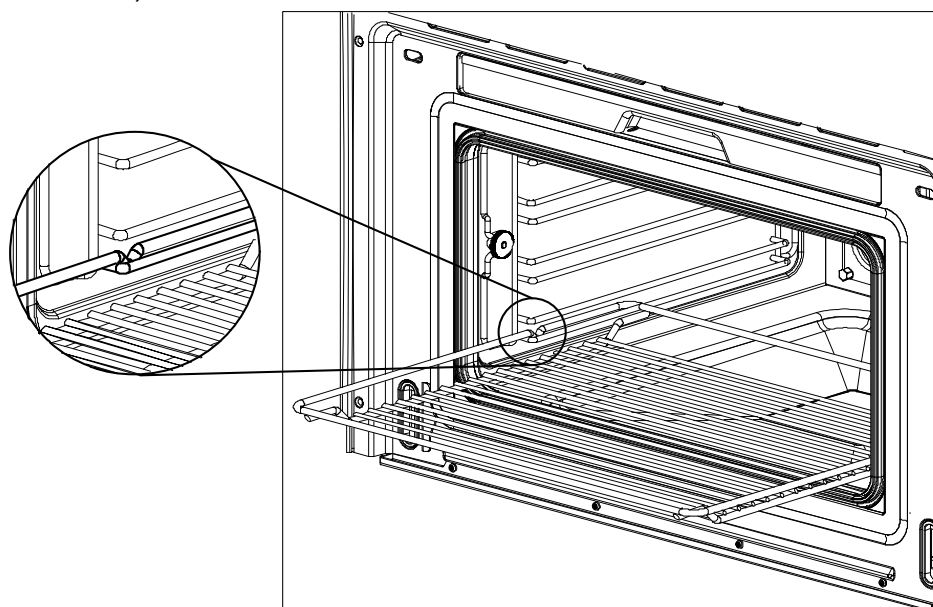
The rack is used when cooking with small containers, as for example, dessert bowls and to regenerate plate dishes.

For more precise information refer to the tables.

The suggested times and temperatures are guideline values. The actual cooking time can vary according to the type and quality of the foods.



To remove the rack, lift it upwards slightly at the front when the safety notches connect with the sides of the oven (see illustration).



We recommend using the rack together with the baking tray when cooking items on the rack which might drip.

## Usage, tables and tips

### Steam cooking - Fish

Fish	Quantity	Temperature °F	Time min.	Container	Level
Gilthead sea bream	28.22 - 43.33 oz	175	30-40	Perforated	2
Trout	4 x 8.82 oz	175	20-25	Perforated	2
Salmon filet	17.64 – 35.27oz	175	15-25	Perforated	2
Salmon trout	35.27 – 42.33 oz	175	25-35	Perforated	1/2
King prawns	17.64 – 35.27oz	175	15-20	Perforated	2
Green-shell mussel	35.27 – 52.9 oz	210	25-35	Perforated	2
Halibut filet	17.64 – 35.27oz	175	20-25	Perforated	2
Cockles	17.64 – 35.27oz	210	10-20	Perforated	2
Lobster	28.22 - 42.33 oz	210	25-30	Perforated	1/2
Cod filet	35.27 – 42.33 oz	175	20-25	Perforated	2
Blue mussel	35.27 – 42.33 oz	210	15-25	Perforated	2
Lake trout	4 x 8.82 oz	175	25-30	Perforated	2
Haddock	35.27 – 42.33 oz	175	20-25	Perforated	2
Tuna filet	17.64 – 35.27oz	175	15-20	Perforated	2
Pike perch	4 x 8.82 oz	175	25-30	Perforated	2

### Meat

Meat	Quantity	Temperature °F	Time min.	Container	Level
Chicken leg	4-10	210	40-45	Perforated	2
Chicken breast	4-6	210	25-35	Perforated	2
Smoked pork loin	17.64 – 35.27oz	210	40-50	Perforated	2
Turkey escalope	4-8	210	20-25	Perforated	2
Pork filet, whole	4-8	210	20-30	Perforated	2
Sausages		175-210	10-15	Perforated	2

### Eggs

Eggs	Temperature °F	Time min.	Container	Level
Eggs in Glass	210	10-15	Rack	2
Eggs, hard	210	15	Rack	2
Eggs, soft	210	10-12	Rack	2

### Side dishes

Side dishes	Quantity	Temperature °F	Time min.	Container	Level
Pearl barley + Liquid	7.05oz + 13.53 fl oz	210	30-35	Rack, glass bowl	2
Semolina + Liquid	7.05oz + 10.14 fl oz	210	10-20	Rack, glass bowl	2
Lentils + Liquid	7.05oz + 12.68 fl oz	210	20-50	Rack, glass bowl	2
Rice + Liquid	7.05oz + 8.45 fl oz	210	25-40	Rack, glass bowl	2

## Usage, tables and tips

### Vegetables

Vegetables		Temperature °F	Time min.	Container	Level
Eggplant/Aubergine	in slices	210	15-20	Perforated	2
Beans		210	35-45	Perforated	2
Broccoli	florets with stalk	210	25-30	Perforated	2
Broccoli	florets without stalk	210	15-20	Perforated	2
Cauliflower	florets	210	25-30	Perforated	2
Cauliflower	whole head	210	40-45	Perforated	1
Peas		210	30-35	Perforated	2
Fennel	in stripes	210	15-20	Perforated	2
Fennel	cut in half	210	20-30	Perforated	2
Potatoes with skin	whole, very small	210	20-25	Perforated	2
Potatoes with skin	whole, very big	210	45-50	Perforated	2
Potatoes without skin	in pieces	210	20-25	Perforated	2
Turnip	in sticks	210	20-25	Perforated	2
Snow peas		210	15-20	Perforated	2
Carrots	in slices	210	25-30	Perforated	2
Corn cobs		210	50-60	Perforated	2
Bell peppers	in stripes	210	12-15	Perforated	2
Hot pepper		210	12-15	Perforated	2
Mushrooms	in quarters	210	12-15	Perforated	2
Leeks	in slices	210	10-12	Perforated	2
Brussels sprouts		210	25-35	Perforated	2
Celery	in stripes	210	15-20	Perforated	2
Asparagus		210	20-35	Perforated	2
Spinach		210	12-15	Perforated	2
Celery stalks		210	25-30	Perforated	2
Courgette	in slices	210	12-18	Perforated	2

### Dumplings

Dumplings	Temperature °F	Time min.	Container	Level
Sweet dumpling	210	20-30	Not perforated	2
Sweet yeast dumpling	210	15-20	Not perforated	2
Yeast dumpling	210	15-25	Not perforated	2
Bread dumpling	210	20-25	Not perforated	2
Napkin dumpling	210	25-30	Not perforated	2

## Usage, tables and tips

### Desserts

Desserts	Quantity	Temperature °F	Time min.	Container	Level
Stewed apples	17.64 - 52.9 oz	210	15-25	Not perforated	2
Stewed pears	17.64 - 52.9 oz	210	25-30	Not perforated	2
Crème brûlée	--	175	20-25	Rack - bowl	2
Crème caramel	--	175	25-30	Rack - bowl	2
Yogurt	--	105	4-6 hrs.	Rack - bowl	2
Stewed peaches	17.64 - 52.9 oz	210	15-20	Not perforated	2

### Fruit (Sterilising/Boiling down)

Fruit	Quantity	Temperature °F	Time min.	Container	Level
Pears	4-6 4 fl.oz. glasses	210	30-35	Rack	1
Cherries	4-6 4 fl.oz. glasses	210	30-35	Rack	1
Peaches	4-6 4 fl.oz. glasses	175	30-35	Rack	1
Plums	4-6 4 fl.oz. glasses	175	30-35	Rack	1

### Regenerate

Warming-up	Quantity	Temperature °F	Time min.	Container	Level
Plate dishes	1-2	210	12-15	Rack	2
Plate dishes	3-4	210	15-20	Rack	2
Ready-made meals	--	210	15-20	Rack	2

### Blanch

Vegetables	Quantity	Temperature °F	Time min.	Container	Level
e.g. Beans, Leek		210	10-12	Perforated	2
Curly Kale	35.27 – 42.33 oz	210	12-16	Perforated	2
Savoy cabbage	10-20	210	12-15	Perforated	2
White cabbage, whole	70.55 -88.18 oz	210	30-45	Perforated	1
Tomatoes, peeled		175	12	Rack	2

## Usage, tables and tips

### Defrost

Vegetables / Side dish		Temperature °F	Time min.	Container	Level
Broccoli	florets with stalk	210	15-20	Perforated	2
Mixed vegetables		210	15-20	Perforated	2
Spinach leaves	portions	210	10-15	Not perforated	2
Cauliflower	florets	210	15-20	Perforated	2
Peas		210	15-25	Perforated	2
Curly kale	bigger portion	210	25-35	Not perforated	2
Carrots	in slices	210	15-20	Perforated	2
Brussels sprouts		210	20-25	Perforated	2
Asparagus		210	25-30	Perforated	2
Ready-made meals		210	as required	Rack	2
Bread		210	10-25	Rack	2
Rice		210	15-25	Not perforated	2
Lentils		210	15-20	Not perforated	2
Noodles		210	15-20	Not perforated	2

### Two level cooking

#### Some suggestions:

When cooking with two levels the Broiler always belongs to the 2nd or 3rd level of insertion from the bottom to the top.

This way the usual vessels of porcelain, Jena glass or of stainless steel can be put inside the oven.

The container of cooking perforated or not, will be inserted in the 1st level from the bottom. It can also be cooked with two Broilers.

Different cooking times are controlled this way:

Foods that need a longer cooking time should be placed in the upper area of the oven. Foods with a shorter cooking time should be placed on the 1<sup>st</sup> level.

#### One example: Vegetables, potatoes and fish.

Place the vegetables and potatoes in any suitable container on the rack inserted in the 2<sup>nd</sup> or 3<sup>rd</sup> level.

Insert the fish in the 1<sup>st</sup> level.

When using the perforated tray to cook fish, the non-perforated tray must be inserted in the bottom of the appliance to collect liquid dripping from the fish. This way the appliance is kept clean.

Time: Vegetables and potatoes 25-35 Min.

Time: Fish – depending on type – 15-25 Min.

Select the longest cooking time. Because of the different levels the food is ready at the same time, without any over cooking.

## Cooking with the Broiler

For good results with the Broiler, use the grid iron supplied with the oven.

### IMPORTANT POINTS:

1. When the Broiler is used for the first time there will be some smoke and a smell coming from the oils used during oven manufacture.
2. The oven door window becomes very hot when the Broiler is working. **Keep children away.**
3. When the Broiler is operating, the cavity walls and the grid iron become very hot. You should use oven gloves.
4. If the Broiler is used for extended period of time it is normal to find that the elements will switch themselves off temporarily due to the safety thermostat.
5. **Important!** When food is to be broiled or cooked in containers you must check that the container in question is suitable for use. See the section on types of ovenware!
6. When the Broiler is used it is possible that some splashes of fat may go onto the elements and be burnt. This is a normal situation and does not mean there is any kind of operating fault.
7. After you have finished cooking, clean the interior and the accessories so that cooking remains do not become encrusted.

Type of food	Quantity	Time (min.)	Instructions
<b>Fish</b>			
Bass	28.22 oz	18-24	Spread lightly with butter. After half of cooking time turn and spread with seasoning.
Sardines/gurnard	6-8 fish.	15-20	
<b>Meat</b>			
Sausages	6-8 units	22-26	Prick after half cooking time and turn.
Frozen hamburgers	3 units	18-20	
Spare rib (approx. 3 cm thick)	14.11 oz	25-30	After half of cooking time, baste and turn.
<b>Others</b>			
Toast	4 units	1½-3	Watch toasting.
Toasted sandwiches	2 units	5-10	Watch toasting.

Heat up the Broiler beforehand for 2 minutes. Unless indicated otherwise, use the grid iron. Place the grid on a bowl so that the water and the fat can drop. The times shown are merely indicative and can vary as a function of the composition and quantity of the food, as well as the final condition wished for. Fish and meat taste great if, before broiling, you brush them with vegetable oil, spices and herbs and leave to marinate for a few hours. Only add salt after broiling.

Sausages will not burst if you prick them with a fork before broiling.

After half the broiling time has passed, check on how the cooking is going and, if necessary, turn the food over.

The Broiler is especially suitable for cooking thin portions of meat and fish. Thin portions of meat only need to be turned once, but thicker portions should be turned several times.

## Cooking with Convection

### Roasting and baking

Type	Quantity (oz)	Temperature °F	Time (min)	Standing Time (min)	Comments
Beef stew	35.27	320/340	80/90	10	Do not put lid on container
Pork loin	17.64 / 21.16	355/375	35/40	10	Do not put lid on container
Whole chicken	35.27 / 42.33	390	30/40	10	Put lid on container. Breast facing upwards. Do not turn.
Chicken portions	28.22	390	25/35	10	Do not put lid on container. Arrange portions with skin facing upwards. Do not turn.
Duck	52.9 / 59.97	390	70/80	10	Put lid on container. Do not turn.

#### Advice for roasting meat

Turn the pieces of meat halfway through the cooking time. When the roasted meat is ready you should let it stand for 10 minutes in the oven with this switched off and closed. This will ensure the juices in the meat are well distributed.

Add 2 to 3 soup spoons of gravy or similar liquid to lean meat and 8 to 10 soup spoons to stews, depending on the amount of meat in question.

The roasting temperature and time required depends on the type and amount of meat being cooked.

If the weight of the meat to be roasted does not appear on the table choose the settings for the weight immediately below and extend the cooking times.

#### Advice on ovenware

Check that the ovenware fits inside the oven.

Hot glass containers should be put on a dry kitchen cloth. If such containers are put on a cold or wet surface the glass may crack and break. Use oven gloves to take the ovenware out of the oven.



# ~ Cooking with Convection

## Cooking – Cakes

Type	Container	Level	Temperature °F	Time (min)
Walnut cake	Spring-form type tin	1	340/355	30/35
Fruit tart	Spring-form type tin	2	300/320	35/45
Fruit cakes	Cake tin with central hole	1	340/375	30/45
Savoury tarts	Spring-form type tin	2	320/355	50/70
Simple cake (sponge cake)	Spring-form type tin	1	320/340	40/45
Almond cakes	Cake tray	2	230	35/45
Puff pastry	Cake tray	2	340/355	35/45

### Advice on cake baking ware

The most commonly used type of baking ware is black metal tins.

### Advice on how to bake cakes

Different amounts and types of pastry require different temperatures and baking times. Try low settings first of all and then, if necessary, use higher temperatures next time. A lower temperature will result in more uniform baking.

### Baking suggestions

#### How to check if the cake is properly cooked

Start sticking a tooth pick in the highest part of the cake 10 minutes before the end of the baking time. When no dough sticks to the tooth pick the cake is ready.

If the cake is very dark on the outside

Next time choose a lower temperature and let the cake bake for a longer time.

#### If the cake is very dry

Make small holes in the cake with a tooth pick after baking has finished. Then sprinkle the cake with some fruit juice or alcoholic drink. Next time increase the temperature by about 50°F and reduce the baking time.

#### If the cake does not come free when turned

Let the cake cool down for 5 to 10 minutes after baking and it will come out of the tin more easily. If the cake still does not come free run a knife carefully around the edges. Next time grease the cake tin well.

## Care and maintenance

### Cleaning the cooking space

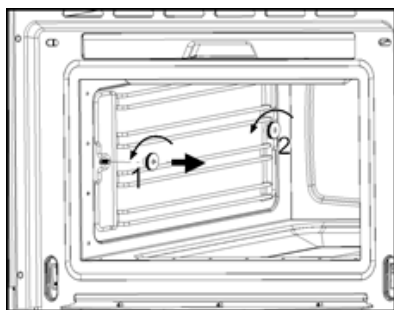
Avoid using abrasive cleaners such as scouring pads, steel wool, etc. as they can damage the surface.

Wipe the cooking space clean using a damp cloth whilst the appliance is still warm. Finish off by drying the cooking space.

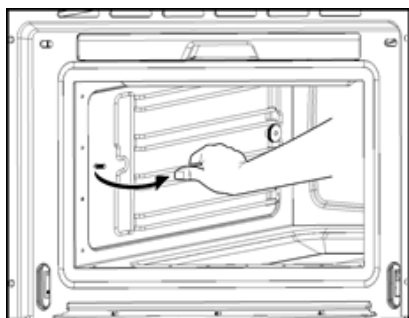
For ease of cleaning, the shelf guides can be removed (see the following chapter).

### Removing the shelf guides

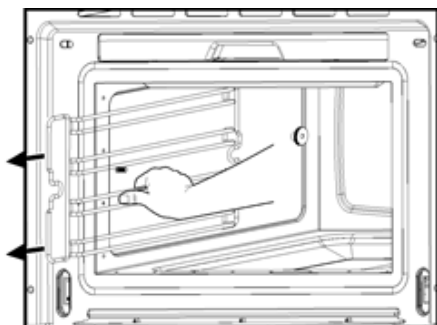
Unscrew and remove the knurled nuts 1 in the front of the shelf guides in an anti-clockwise direction.



Unscrew and loosen the knurled nuts 2 in the back of the shelf guides in an anti-clockwise direction. Do not completely remove these nuts.



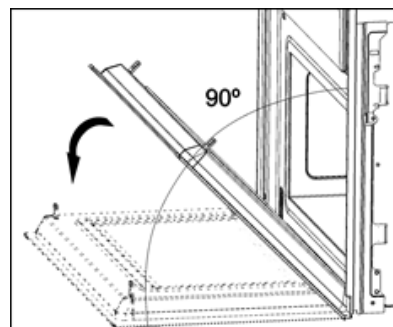
Pull the shelf guides to the inside of the cavity and remove from the front.



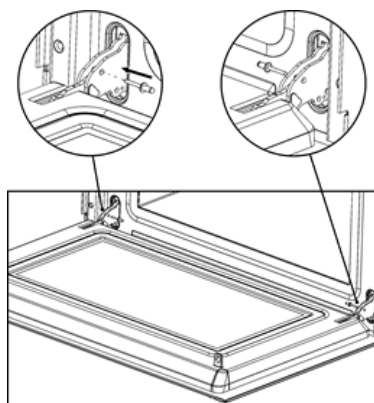
To put them back, insert the shelf guides into the knurled nuts 2 in the back and position on the screws in the front. Screw the knurled nuts 1 and 2 in a clockwise direction till tight.

### Removing the appliance door

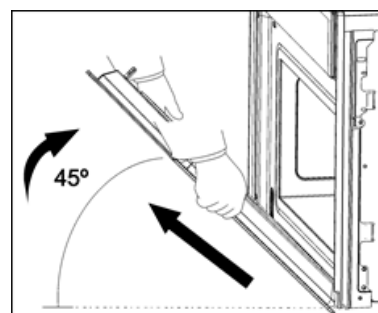
1. Open the appliance door as far as it will go.



2. Insert 2 pins inside the holes in the hinges.



3. Close the appliance door just enough that it can be lifted out.



4. To reassemble, push the hinges into the holes from the front.
5. Open the appliance door as far as it will go and remove the pins.

## Care and maintenance


### Descaling

Whenever steam is produced, irrespective of the hardness of the local water supply (i.e. the limescale content of the water), limescale is deposited inside the steam generator.

The time interval between descaling depends on the hardness of the water and frequency of use. If steaming 4x30 minutes per week, the appliance must be descaled (depending on water hardness) roughly as follows:

Water hardness	Descal after about
Very soft	18 months
Medium	9 months
Very hard	6 months

The appliance automatically detects when descaling is necessary and when this happens the

Descal light stays on . If the Descaling procedure is not performed, some cooking cycles after the Descal light starts to flash. If once again the Descaling procedure is not performed, some cooking cycles after the oven functioning is blocked, the Descal light stays on and the display shows "CAL" blinking.

**IMPORTANT NOTE: Failure to descale the appliance will likely impair the functioning of or cause damage to the appliance.**

### Suitable descaling solutions

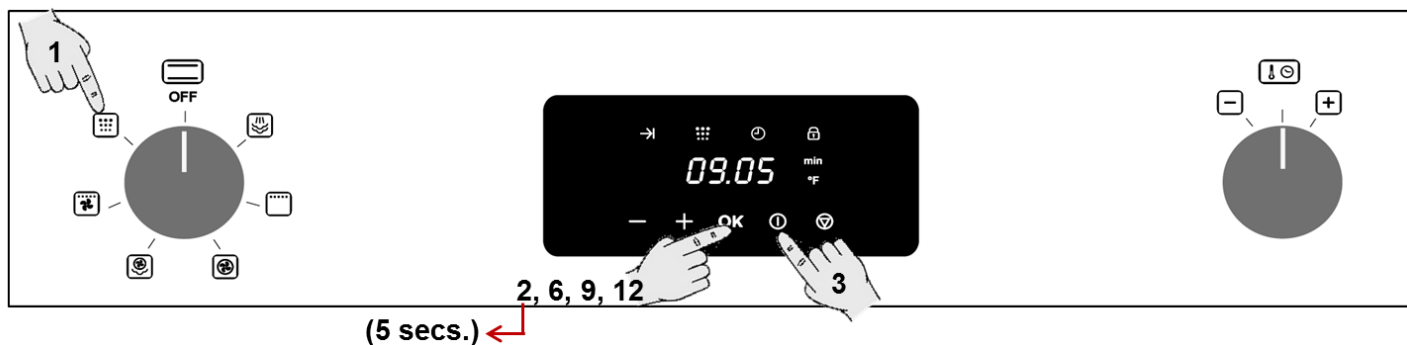
For descaling, use the descaling solution "durgol®".

This solution allows a professional and careful descaling of your appliance. Available at Customer Care Centres.

**Warning! Do not use vinegar or vinegar-based products as they can cause damage to the oven's internal circuit.**

Traditional descaling solutions are not appropriate because they can contain foaming agents.


## Descaling procedure



**Warning: For safety reasons, the descaling process cannot be interrupted and it takes about 45 minutes.**

The appliance must be in idle state prior to starting the descaling cycle.

To run a descaling cycle proceed as follows:

1. Rotate the **Function Selector knob** to the position corresponding to the **Descaling** function . The display shows the Water Hardness "**SOFT / MED / HARD**".
2. Press the "**OK**" key for 5 seconds to enter the Descaling Procedure. The display shows "**CAL**" and there is an intermittent beep.
3. (If you wish to cancel the descale process at this stage Press the **STOP** key).
4. Press the **START** key to start the descaling process.
5. When the display shows "**2 CUP**", Short beeps are emitted. Remove the water tank.
6. Pour 2 cups of an adequate descaling solution into the water tank and put the water tank back.
7. Press the **START** key. The Descale cycle is initiated and takes about 30 minutes.
8. The descaling process is silent and during this process the display shows continuously "**2 CUPS**" (without blinking).
9. When the display shows "**4 CUP**" flashing and the oven emits a beep, remove and empty the water tank.
10. Fill the water tank with 4 cups of cold water and put the water tank back.
11. Press the **START** key. The first rinsing cycle starts.
12. When the display again shows "**4 CUP**" flashing and the oven emits a new beep, remove and empty the water tank.
13. Fill the water tank with 4 cups of cold water and put the water tank back.
14. Press the **START** key. The second rinsing cycle starts.
15. When the rinsing cycle has finished the display shows "**End**". The message "**EMP**" will be displayed until the water tank is removed.
16. Remove, empty and dry the water tank.

## Oven cleaning

**Warning!** Cleaning should be done with the oven power switched off. Take the plug out of the socket or switch off the oven's power circuit.

**Do not use aggressive or abrasive cleaning products, scourers that scratch surfaces or sharp objects, since stains may appear.**

**Do not use high pressure or steam jet cleaning appliances.**

**Do not use harsh abrasive cleaners or sharp metal scrapers to clean the oven door glass since they can scratch the surface, which may result in shattering of the glass.**

### Front surface

Normally you just need to clean the oven with a damp cloth. If it is very dirty, add a few drops of dishwashing liquid to the cleaning water. Afterwards, wipe the oven with a dry cloth.

**In an oven with an aluminium front,** use a mild glass cleaning product and a soft cloth that does not release any fibres or threads. Wipe from side to side without exerting any pressure on the surface.

Immediately remove limescale, fat, starch or egg white stains. Corrosion can occur under these stains.

Do not let any water get inside the oven.

### Oven interior

After use, remove any water on the bottom of the cooking space with a soft cloth. Leave the appliance door open so that the cooking space can cool down.

To remove dirt that is harder to shift, use a non-aggressive cleaning product. **Do not use oven sprays or other aggressive or abrasive cleaning products.**

**Always keep the door and the oven front very clean to ensure that the door opens and closes properly.**

Make sure water does not enter the oven ventilation holes.

The glass lamp cover is located on the oven ceiling and can be removed easily for cleaning. For this you just need to unscrew it and clean it with water and dishwashing liquid.

### Accessories

Clean the accessories after each use. If they are very dirty, soak them first of all and then use a brush and sponge. The accessories can be washed in a dish washing machine.

## What should I do if the oven doesn't work?

**WARNING!** Any type of repair must only be done by a specialised technician. Any repair done by a person not authorised by the manufacturer is dangerous.

You do not need to contact Technical Assistance to resolve the following questions:

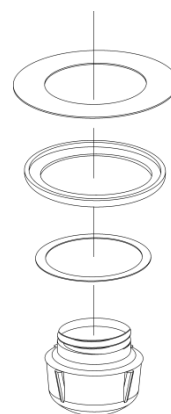
- **The display is not showing!** Check if:
  - The time indication has been switched off (see section on Basic Settings).
- **Nothing happens when I press the keys!** Check if:
  - The Safety Block is active (see section on Basic Settings).
- **The oven does not work!** Check if:
  - The plug is correctly fitted in the socket.
  - The oven's power is switched on.
- **When the oven is operating I can hear some strange noises!** This is not a problem.
  - It has to do with the operating noises that can occur during the cooking process, e.g, by the water pumps in the steam generator.
  - The steam inside the cavity produces a pressure build-up and sometimes the cavity walls may produce noise when they react to the pressure.
  - These noises are normal, there is no problem.
- **The food doesn't heat up or heats very slowly!** Check if:
  - You have selected the correct operating times and temperature setting.
  - The food you have put inside the oven is a larger amount or colder than you usually put in.
- **If the message "Err\_" appears in the display, please contact the Customer Care.**

- **The appliance still makes a noise after the cooking process is finished!** This is not a problem.
  - The cooling fan keeps on working for some time. When the temperature has dropped sufficiently, the fan will switch itself off.
- **The oven switches on but the interior light does not go on!**
  - If all the functions work properly it is probable that the lamp has blown. You can keep on using the oven.

### Replacing the light bulb


To replace the light bulb, proceed as follows:

- Disconnect the oven from the power supply. Take the plug out of the socket or switch off the oven's power circuit.
- Unscrew and remove the glass light cover.
- Remove the light bulb. Warning! **The bulb may be very hot.**
- Fit a new G9 230V / 25W halogen bulb. Follow the lamp manufacturer's instructions.
- Screw the glass light cover into place.
- Connect the oven again to the power supply.



## Technical characteristics

### Displays

Display	Description
<b>Descaling</b>	
<b>SOFT</b>	Soft water.
<b>MED</b>	Medium water.
<b>HARD</b>	Hard water.
 / <b>CAL</b>	Appliance must be descaled. Flashing – descaling starts.
<b>2 CUP</b>	Feed 2 cups descaling solution into the water tank.
<b>4 CUP</b>	Feed 4 cups cold water into the water tank for rinsing.
<b>Water tank</b>	
<b>RES</b>	Indication that water tank is missing.
<b>EMP</b>	The water tank must be removed, emptied and reinserted.
<b>-LO-</b>	Tank is empty, please fill with a cup of water.
<b>Steam reduction</b>	
<b>VAP</b>	Indication that steam reduction process is ongoing.
<b>PUMP</b>	Indication that cold water is entering the boiler and hot water is being pumped to the water tank.
<b>System warnings</b>	
<b>LAMP</b>	Damaged lamp.
<b>Please contact the Technical Assistance Service in case of the following errors:</b>	
<b>HOT</b>	Temperature in the PCB is too high.
<b>Err_</b>	Various Errors in the sensors.

### Specifications

- AC Voltage..... (see characteristics plate)
- Power required ..... 3200 W
- Current required..... 14 A
- Steam power ..... 1500 W
- Broiler power ..... 1200 W
- Convection power ..... 1600 W
- Exterior dimensions (W×H×D)..... 29 27/32 × 18 45/64 × 21 11/32
- Interior dimensions (W×H×D)..... 16 17/32 × 8 17/64 × 15 23/64
- Oven capacity. .... 1,34 ft<sup>3</sup>
- Weight ..... 78 lbs

## Installation instructions

### Before installation

**Check that the input voltage** indicated on the rating plate is the same as the voltage of the power outlet you are going to use.

If required by the National Electrical Code (or Canadian Electrical Code), this appliance must be installed on a separate branch circuit.

Installer – show the owner the location of the circuit breaker or fuse. Mark it for easy reference.

Before installing, turn power OFF at the service panel. Lock service panel to prevent power from being turned ON accidentally.

Be sure your appliance is properly installed and grounded by a qualified technician. Installation, electrical connections and grounding must comply with all applicable codes.

Open the oven door and **take out all the accessories** and remove the packing material.

**Warning!** The front surface of the oven may be wrapped with a **protective film**. Before using the oven for the first time, carefully remove this film, starting on the inside.

**Make sure that the oven is not damaged in any way.** Check that the oven door closes correctly and that the interior of the door and the front of the oven opening are not damaged. If you find any damage contact the Technical Assistance Service.

**DO NOT USE THE OVEN** if the metal conduit is damaged, if the oven does not function correctly or if it has been damaged or dropped. Contact the Technical Assistance Service.

Place the oven on a flat and stable surface. The oven must not be put close to any sources of heat, radios or televisions.

### Electrical supply

Before installing the oven have a qualified electrician verify that your home is provided with adequate electrical service and that the addition of the oven will not overload the branch circuit on which it is to be installed.

A separate three-wire or four-wire single phase, 240 Volt, 60 Hz, branch circuit is required.

For hook-up of the oven you will need to have an approved junction box installed where it will be easily reached through the front of the cabinet

where the oven will be located. The oven has 3 feet of conduit.

Allow two to three feet of slack in the line so that the oven can be moved if servicing is ever necessary.

DO NOT shorten the flexible conduit.

### Wiring requirements

When making the wire connections, use the entire length of the conduit provided (3 feet). The conduit must not be cut.

Before making connections make sure the power is off and read and observe the following:

1. A separate three-wire or four-wire, single phase, 240 Volt, 60 Hz branch circuit is required for the oven.
2. The oven must be connected with Copper or Aluminum wire.
3. In the United States:

Wiring must conform to the National Electrical Code, ANSI/NFPA No. 7 latest edition. You can obtain a copy of the National Electrical Code by writing to: National Fire Protection Association Battery Park Quincy, MA 02269



## Installation instructions

In Canada:

Wiring must conform to Canadian Electrical Code C22.1- latest edition. You can obtain a copy of the Canadian Electrical Code by writing to: Canadian Standards Association 178 Rexdale Boulevard Rexdale (Toronto), Ontario, Canada M9W 1R3

4. Wire size (Copper or Aluminum wire) and connections must be suitable for the rating of the appliance as per the National Electrical Code requirements. The flexible armoured cable extending from the oven should be connected directly to the junction box.
5. The junction box should be located so as to allow as much slack as possible between the junction box and the oven so it can be moved if servicing is ever required.
6. A U.L. listed conduit connector must be provided at each end of the power supply cable.

### Electrical connections

**Be sure your appliance is properly installed and grounded by a qualified technician. Ask your dealer to recommend a qualified technician or an authorized repair service.**

This appliance is manufactured with a green GROUND wire connected to the oven chassis. After making sure that the power has been turned off, connect the flexible conduit from the oven to the junction box using a U.L. listed conduit connector. The figures and the instructions provided below present the most common way of connecting the ovens.

Your local codes and ordinances, of course, take precedence over these instructions.

**WARNING” Risk of Electric Shock, frame grounded to neutral of appliance through a link.**

Grounding through the neutral conductor is prohibited for new branch-circuit installations (1996 NEC); mobile homes; and recreational vehicles, or in an area where local codes prohibit grounding through the neutral conductor. For installations where grounding through the neutral conductor is prohibited:

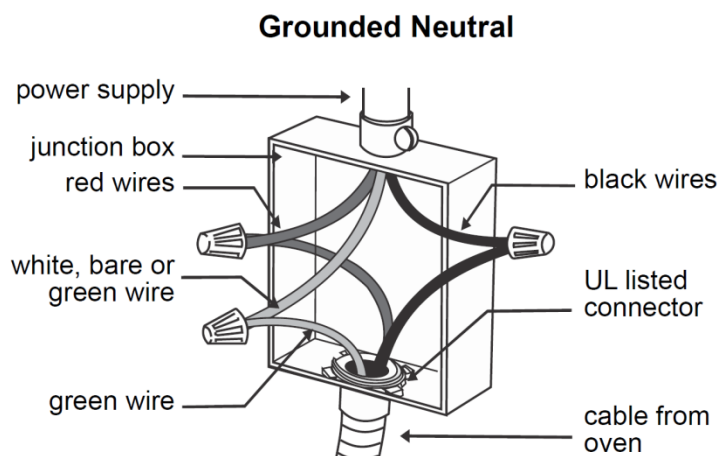
- Disconnect the ground from the neutral at free end of conduit;

- Use grounding terminal or lead to ground unit; and
- Connect neutral terminal or lead to branch circuit neutral in usual manner.

### 3-Wire branch circuit (for US only)

Refer to the following Figure, where local codes allow the connection of GROUND wire from the oven to the branch circuit NEUTRAL wire (gray or white colored wire):

- If local codes permit, connect the green GROUND wire from the oven and the white wire from the oven to the branch circuit NEUTRAL wire (gray or white colored wire).
- Connect the red and black leads from the oven to the corresponding leads in the junction box.



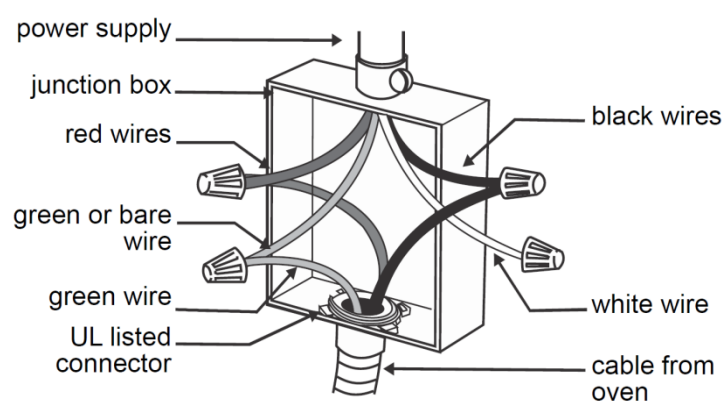
## Installation instructions

### 4-Wire branch circuit (for US and CANADA)

Refer to the following Figure:

- Disconnect ground from neutral at free end of conduit.
- Connect the green GROUND wire from the oven to the GROUND wire in the junction box (bare or green colored wire).
- Connect the red and black leads from the oven to the corresponding leads in the junction box.

#### Ungrounded Neutral



### After installation

The oven only functions when the door is closed correctly.

After the first use, clean the inside of the oven and the accessories, following the cleaning instructions given in the section "Oven cleaning and maintenance".

# Sommaire

Instructions pour lier à la terre .....	35
Consignes de sécurité.....	36
Instructions de sécurité .....	39
Description du four.....	40
Réglages de base .....	42
Fonctions de base .....	45
Fonctions spéciales .....	48
Alimentation en eau.....	49
Pendant le fonctionnement du four.....	50
Tableaux et conseils.....	51
Cuisiner au grill.....	56
Cuisiner au L'Air Chaud .....	57
Entretien .....	59
Nettoyage et maintenance de l'appareil.....	62
Que faire en cas de dysfonctionnement ?.....	63
Caractéristiques techniques.....	64
Instructions pour l'installation.....	65
Dimensions d'Installation .....	68

Cher client,

Nous vous remercions d'avoir préféré notre produit **BERTAZZONI**. Nous sommes certains que ce four à vapeur moderne, fonctionnel et pratique, fabriqué avec des matériaux de première qualité, vous donnera toute satisfaction.

Nous vous demandons une lecture attentive des instructions de ce manuel. Elles vous permettront d'utiliser votre four en obtenant les meilleurs résultats.

**CONSERVEZ TOUTE LA DOCUMENTATION DE CE PRODUIT POUR LA CONSULTER ULTÉRIEUREMENT.**

**Gardez toujours le manuel d'instructions à portée de main. Si vous cédez l'appareil à un tiers, remettez-lui également le manuel.**

Vous pouvez aussi télécharger le manuel d'utilisation sur [www.bertazzoni.com](http://www.bertazzoni.com)


# Instructions pour lier à la terre

L'appareil doit être lié à la terre. En cas de court-circuit électrique, la liaison à la terre réduit le risque de choc électrique grâce à la fuite permise par le fil de terre. L'appareil vient équipé avec un fil de terre ainsi que la prise de terre. La fiche doit être branchée dans une prise correctement installée et liée à la terre.

**Attention! UNE MAUVAISE LIAISON À LA TERRE PEUT PROVOQUER UN RISQUE DE CHOC ÉLECTRIQUE.**

S'il vous plait, consulter les instructions d'installation pour plus d'informations.

# Consignes de sécurité

 Avant d'installer et d'utiliser cet appareil, lisez soigneusement les instructions fournies. Le fabricant ne peut être tenu pour responsable des dommages et blessures liés à une mauvaise installation ou utilisation. Conservez toujours cette notice avec votre appareil pour vous y référer ultérieurement.

## MESURES DE SÉCURITÉ IMPORTANTES

**Lorsque vous utilisez des appareils électriques, des précautions de sécurité de base doivent toujours être observées, y compris ce qui suit:**

1. Installation correcte - Assurez-vous que votre appareil est correctement installé et mis à la terre par un technicien qualifié.
2. Ne jamais utiliser l'appareil pour réchauffer ou chauffer la pièce.
3. Ne pas laisser les enfants seuls - Les enfants ne doivent pas être laissés seuls ou sans surveillance dans la zone où l'appareil est en cours d'utilisation. Ils ne devraient jamais être autorisés à rester assis ou debout sur une partie de l'appareil.
4. Portez des vêtements appropriés – les vêtements larges ou vêtements suspendus ne doivent jamais être portés pendant l'utilisation de l'appareil.
5. Entretien par l'utilisateur - Ne pas réparer ou remplacer toute pièce de l'appareil à moins d'une recommandation précise dans le manuel. Tout autre entretien doit être confié à un technicien qualifié.
6. Rangement dans ou sur l'appareil: - Les matériaux inflammables ne doivent pas être stockés dans un four.
7. Ne pas utiliser d'eau sur un feu de graisse - Étouffer le feu ou les flammes, utiliser un produit chimique sec ou un extincteur à mousse.
8. Utilisez des poignées sèches - Des mitaines mouillées ou humides sur des surfaces chaudes peuvent provoquer des brûlures provenant de la vapeur. Ne pas laisser les mitaines de four toucher les éléments chauffants. Ne pas utiliser une serviette ou un tissu épais.
9. Utilisation prudente de l'ouverture de la porte - Laissez l'air chaud ou la vapeur s'évader avant de retirer ou de remplacer la nourriture.
10. Ne pas chauffer des récipients fermés - L'accumulation de pression peut faire exploser le récipient et causer des blessures.
11. Gardez les conduites de ventilation du four non obstruées
12. Placement des grilles du four - Toujours placer les grilles à l'emplacement désiré lorsque le four est froid.
13. Si la grille doit être déplacée pendant que le four est chaud, ne pas laisser les mitaines dans le four.

# Consignes de sécurité

14. NE PAS TOUCHER LES ÉLÉMENTS CHAUFFANTS OU LES SURFACES INTÉRIEURES DU FOUR - Les éléments chauffants peuvent être chauds même si ils sont en couleur foncée.
  15. Les surfaces intérieures d'un four deviennent assez chaudes pour causer des brûlures. Pendant et après l'utilisation, ne pas toucher, laisser des vêtements ou d'autres matériaux inflammables en contact avec les éléments chauffants ou les surfaces intérieures du four avant qu'ils aient eu le temps de refroidir.
- Ce Four à Vapeur est destiné à un usage domestique!

# Consignes de sécurité

## Sécurité des enfants et des personnes vulnérables

- ⚠ **ADVERTISSEMENT!** Risque d'asphyxie, de blessure ou d'invalidité permanente.
- Cet appareil peut être utilisé par des enfants de plus de 8 ans, ainsi que des personnes dont les capacités physiques, sensorielles et mentales sont réduites ou dont les connaissances et l'expérience sont insuffisantes, à condition d'être surveillés par une personne responsable de leur sécurité.
- Ne laissez pas les enfants jouer avec l'appareil.
- Ne laissez pas les emballages à la portée des enfants. **Risque d'asphyxie!**
- ⚠ **ADVERTISSEMENT!** Tenez les enfants éloignés de l'appareil lorsqu'il est en cours de fonctionnement ou lorsqu'il refroidit. Les parties accessibles sont chaudes.
- Les enfants ne doivent pas nettoyer ni entreprendre une opération de maintenance sur l'appareil sans surveillance.

## Sécurité générale

- Pendant l'installation, suivez les instructions fournies séparément.
- Repair and maintenance work, especially of current carrying parts, can only be carried out by technicians authorized by the manufacturer.
- ⚠ **ADVERTISSEMENT!** L'intérieur de l'appareil devient chaud lorsqu'il est en fonctionnement. Ne touchez pas les éléments chauffants se trouvant dans l'appareil. Utilisez toujours des gants de cuisine pour retirer ou enfourner des accessoires ou des plats allant au four.
- La température des surfaces accessibles peut être élevée pendant le fonctionnement de l'appareil.
- N'utilisez pas de nettoyeur vapeur pour nettoyer l'appareil.
- N'utilisez pas de produits abrasifs ni de racloirs pointus en métal pour nettoyer l'appareil.
- Prévoir, pour l'installation électrique, un dispositif permettant de débrancher l'appareil du secteur au niveau de tous les pôles une ouverture des contacts d'au moins 3 mm. Sont considérés comme appropriés des dispositifs de protection tels que par ex. les disjoncteurs, les fusibles (dévisser les fusibles de leur socle), les disjoncteurs différentiels et les contacteurs.
- L'encastrement doit garantir la protection contre tout contact.
- Si le câble d'alimentation est endommagé, il ne doit être remplacé que par un professionnel qualifié afin d'éviter tout danger.
- Avant toute opération de maintenance, déconnectez l'alimentation électrique.

**⚠ ATTENTION!**

Avant de brancher l'appareil, comparez-en les données (tension et fréquence) indiquées sur la plaque des caractéristiques avec celles de votre réseau électrique. Elles doivent correspondre, pour éviter tout problème. En cas de doute, appelez un électricien.

**⚠ ATTENTION!**

Si la prise de l'appareil doit être changée, l'installation et le branchement doivent être effectués par un technicien. Adressez-vous à un électricien attitré qui respecte les normes de sécurité. La responsabilité du fabricant n'est pas engagée pour des dommages provenant d'une erreur de montage ou de branchement.

**⚠ ATTENTION!**

La sécurité électrique de l'appareil n'est assurée que s'il est relié à la terre. La responsabilité du fabricant n'est pas engagée pour des dommages provenant d'un manque ou d'un défaut du système de protection de l'installation (choc électrique par exemple).

**⚠ ATTENTION!**

Ne mettez l'appareil en marche qu'une fois celui-ci dûment encastré, car c'est la seule façon d'interdire l'accès aux composants électriques.

**⚠ ATTENTION!**

N'ouvrez jamais la structure de l'appareil. D'éventuels contacts avec les pièces conductrices

ou modifications des composants électriques ou mécaniques peuvent constituer un danger pour la sécurité de l'utilisateur et perturber le bon fonctionnement de l'appareil.

**⚠ ATTENTION!**

Les réparations et entretiens, tout particulièrement sur les pièces sous tension, ne peuvent être effectués que par des techniciens agréés par le fabricant. **Le fabricant et les revendeurs déclinent toute responsabilité** pour d'éventuels dommages, causés aux personnes, aux animaux ou aux biens, qui découlent de réparations ou entretiens effectués par des personnes non autorisées.

**⚠ ATTENTION!**

Les réparations au cours de la période de garantie ne doivent être exécutées que par des techniciens agréés par le fabricant. Dans le cas contraire, tout dommage provenant de ces réparations est exclu de la garantie.

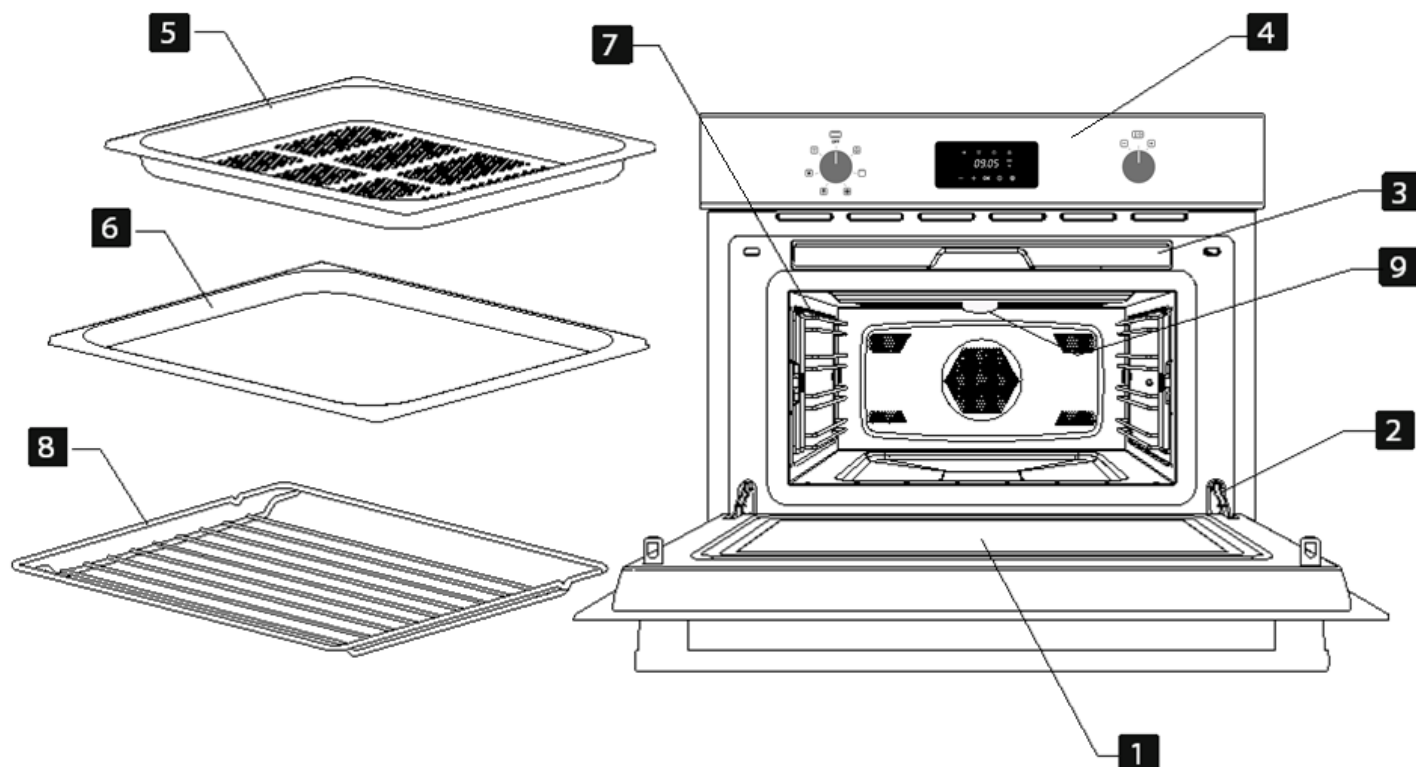
**⚠ ATTENTION!**

L'appareil doit être débranché du réseau électrique quand sont effectués les travaux d'installation et de réparation. Pour que l'appareil soit débranché, vous devez constater l'une des conditions suivantes:

- Les fusibles/disjoncteur du tableau électrique sont débranchés.
- L'appareil est débranché de la prise murale, ce qui doit être fait en tirant sur la prise de l'appareil et non sur le câble électrique.

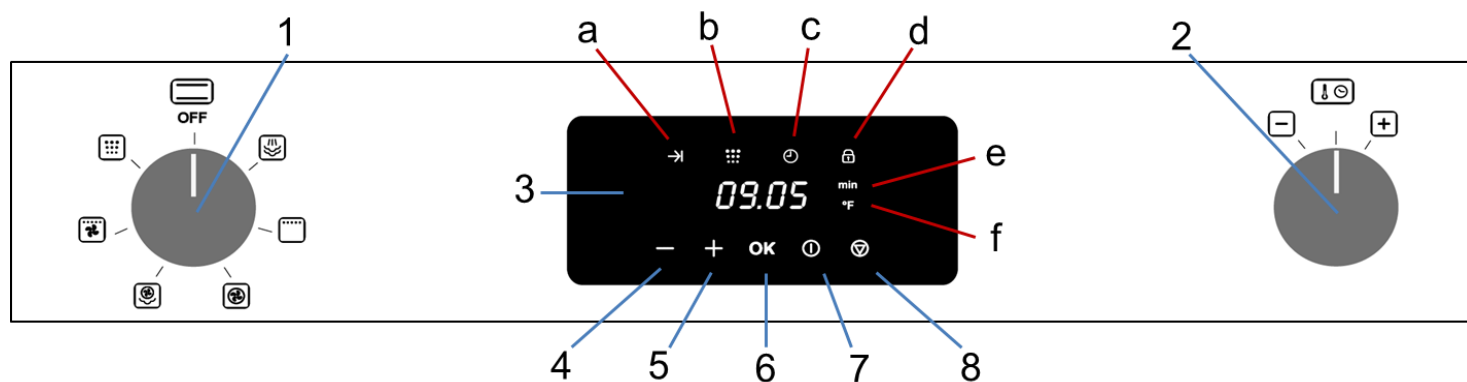


## Description du four



- 1. – Vitre de la porte
- 2. – Charnières de sécurité
- 3. – Réservoir d'eau
- 4. – Panneau de contrôle







- 5. – Plat perforé
- 6. – Plat
- 7. – Supports latéraux
- 8. – Grille support
- 9. – Lampe



- 1. Bouton de sélection des fonctions
- 2. Bouton de sélection "+" / "-"
- 3. Afficheur / Display
- 4. Touche "-"
- 5. Touche "+"
- 6. Touche **OK**
- 7. Touche **Start** (démarrage)
- 8. Touche **Stop** (arrêt)

- a. Indicateur de Démarrage différé
- b. Indicateur de Détartrage
- c. Indicateur de l'horloge
- d. Indicateur de Blocage de sécurité
- e. Indicateur du temps de fonctionnement
- f. Indicateur de Température

## Description des fonctions

Symbole	Fonction	Aliments
	Vapeur	Cuisson de toute sorte de légumes, riz, céréales et viande. Extraction du jus des baies. Action conjointe de décongélation et de cuisson des légumes.
	Grill	Griller des aliments.
	L'Air chaud	Rôtir et cuire.
	L'air chaud + Vapeur	Rôtir rapidement viande, poisson et volailles. Cuire gâteaux secs et humides.
	Grill ventilé	Griller viande et poisson, en morceaux fins.
		Griller de la volaille.
		Pommes de terre – décongeler et dorer des produits ultracongelés.
	Dureté de l'eau/ Détartrage	Définition de la dureté de l'eau / Détartrage

## Réglages de base

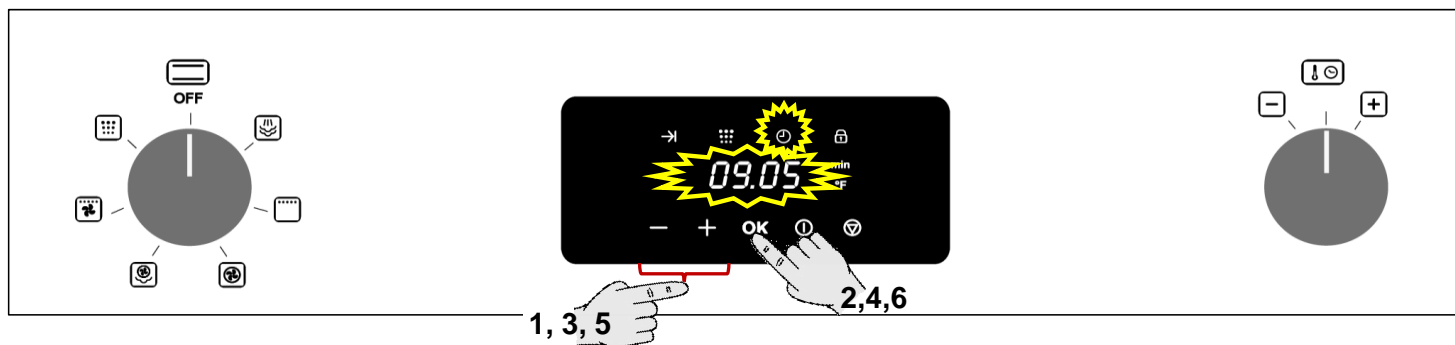
### Définitions préliminaires

Lorsque le four à vapeur est allumé pour la première fois ou après une panne d'électricité, le cadran de l'horloge clignote pour indiquer que l'heure indiquée n'est pas correcte.

Le four ne fonctionnera pas tant que l'heure, la dureté de l'eau et le calibrage ne sont pas définis. Pour définir l'heure et la dureté de l'eau, procédez comme indiqué ci-dessous.

### Réglage de l'heure

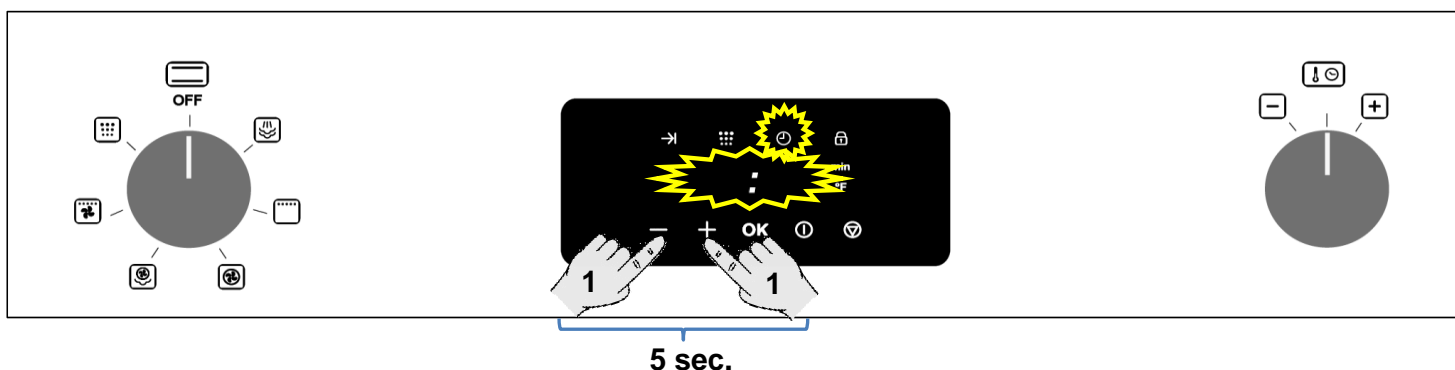
Pour régler l'heure, procédez comme suit :



1. Appuyez sur la touche « + » jusqu'à ce que l'indicateur de l'**Horloge** commence à clignoter.
2. Appuyez sur la touche **OK**.
3. Appuyez sur les touches « + » et « - » pour définir l'heure.
4. Appuyez sur la touche **OK** pour confirmer l'heure. Les minutes clignotent.
5. Appuyez sur les touches « + » et « - » pour définir les minutes.
6. Pour terminer, appuyez de nouveau sur la touche **OK**.

### Masquer/ montrer l'heure

Si l'affichage de l'heure ne vous convient pas, vous pouvez le masquer en procédant comme ça :



1. Appuyez sur les touches “+” et “-” simultanément pendant 5 secondes. Les points qui séparent les heures des minutes et l'horloge clignoteront, mais les autres éléments normalement affichés seront masqués.
2. Si vous souhaitez à nouveau afficher l'heure, appuyez à nouveau sur les touches “+” et “-” pendant 5 secondes.

## Définition de la dureté de l'eau

Si votre eau est très douce (même en utilisant un appareil d'adoucissement de l'eau) ou très dure, le système peut être optimisé grâce au réglage de la dureté de l'eau (voir ci-dessous) :

Pour régler la dureté de l'eau, procédez comme ça:

(Cet appareil est équipé d'un système qui vous indique automatiquement lorsqu'un détartrage est nécessaire, en indiquant le message "CAL".)



1. Tournez le **bouton de sélection des fonctions** sur la fonction **Dureté de l'eau / Détartrage** (non nécessaire après le branchement de l'appareil ou une coupure de courant). La dureté de l'eau commence à clignoter.
2. Tournez le **Sélecteur + / -** pour régler la valeur correcte du paramètre de dureté de l'eau, selon le tableau ci-dessous.
3. Appuyez sur le bouton **OK** pour choisir les paramètres (ou attendre jusqu'à ce que le paramètre est réglé par time-out). L'écran affiche l'heure.

## Réglages de base

Le tableau suivant indique les définitions des différents degrés de dureté de l'eau.

Type	Dureté de l'eau			Affichage	
	Ca + mg (ppm)	Degrés anglais [°da]	Degrés français [°df]		Degrés allemands [°da]
Douce	0 à 150	0 à 11	0 à 15	0 à 8	SOFT
Moyenne	151 à 350	12 à 25	16 à 35	9 à 20	MED
Dure	501 à 500	26 à 35	36 à 50	21 à 28	HARD

## Blocage de sécurité

Vous pouvez bloquer le fonctionnement du four (par exemple pour empêcher son utilisation par des enfants).

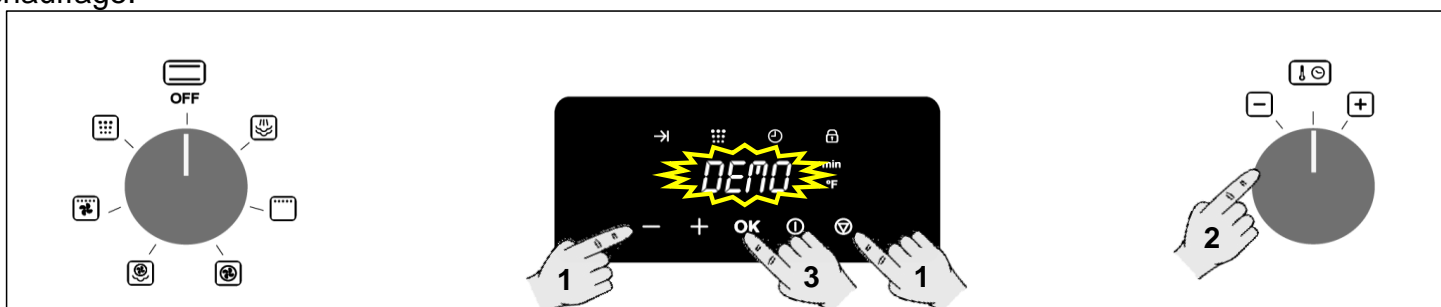


1. Pour bloquer le four, appuyez sur la touche **Stop** pendant 3 secondes. Un signal sonore est alors émis et l'écran affiche le mot « SAFE ». Le four est alors bloqué, toute opération est interdite.

2. Pour débloquer le four, appuyez de nouveau sur la touche **Stop** pendant 3 secondes. Le signal sonore est émis et l'écran donne de nouveau indication de l'heure.

## Mode de Salle d'exposition (Showroom)

Dans le mode Showroom, le four fonctionne comme décrit dans chaque fonction, mais il y aura pas de chauffage.



1. Pour entrer dans le **Mode de Salle d'exposition**, appuyez simultanément sur la touche «-» et la touche **Stop** pendant 5 secondes. L'écran affiche les messages "DEMO" et "OFF" par intermittence (montrant l'état réel).

2. Tournez le **Sélecteur + / -** pour alterner le status ("OFF" or "ON").  
3. Appuyez sur la touche **OK** pour valider.

**Remarque:** Pour quitter le **Mode de Salle d'exposition** procéder de la même manière.

## Fonction Vapeur

Utilisez cette fonction pour cuire tous les types de légumes, le riz, les céréales et la viande. Elle est également utile pour obtenir des jus de baies et pour décongeler, cuire et réchauffer.



1. Tournez le **bouton de sélection des fonctions** sur la fonction **Vapeur**. L'**indicateur de Température** clignote et l'écran affiche «210°F».
2. Tournez le **bouton de sélection +/-** pour régler la **température** souhaitée (de 120°F à 210°F).
3. Appuyez sur le bouton **OK** pour confirmer. L'indicateur du **temps de fonctionnement** commence à clignoter.
4. Sélectionnez le **temps souhaité** en tournant le bouton de sélection **+ / -** dans n'importe quelle direction (10 minutes, par exemple).
5. Appuyez sur le bouton **Start**. L'appareil se met en marche.

## Grill

Utilisez cette fonction pour faire griller rapidement le dessus d'un plat.



1. Tournez le **bouton de sélection des fonctions** sur la fonction **Grill**. L'indicateur du **temps de fonctionnement** et l'écran clignotent.
  2. Sélectionnez le **temps souhaité** en tournant le **bouton de sélection « +/- »** dans n'importe quelle direction (10 minutes, par exemple).
  3. Appuyez sur la touche **Start**. Le four se met en marche.
- Note:** Le ventilateur de refroidissement continue à travailler pendant un certain temps. Lorsque la température a suffisamment baissé, le ventilateur s'éteint.

## Fonctions de base

### Chaleur tournante

Utilisez cette fonction pour cuire vos aliments.



1. Tournez le **bouton de sélection des fonctions** sur la fonction **Chaleur Tournante**. L'indicateur de la **température** et l'afficheur (Display) commencent à clignoter («350°F»).
2. Tournez le bouton de sélection **+/-** pour régler la **température** souhaitée.
3. Appuyez sur la touche **OK** pour valider.
4. Sélectionnez le **temps souhaité** en tournant le bouton « **+/-** » dans n'importe quelle direction.
5. Appuyez sur la touche **Start**. Le four se met en marche.

**Note:** Le ventilateur de refroidissement continue à travailler pendant un certain temps. Lorsque la température a suffisamment baissée, le ventilateur s'éteint.

### Fonction Chaleur tournante + Vapeur

Utilisez cette fonction pour cuire rapidement vos aliments.

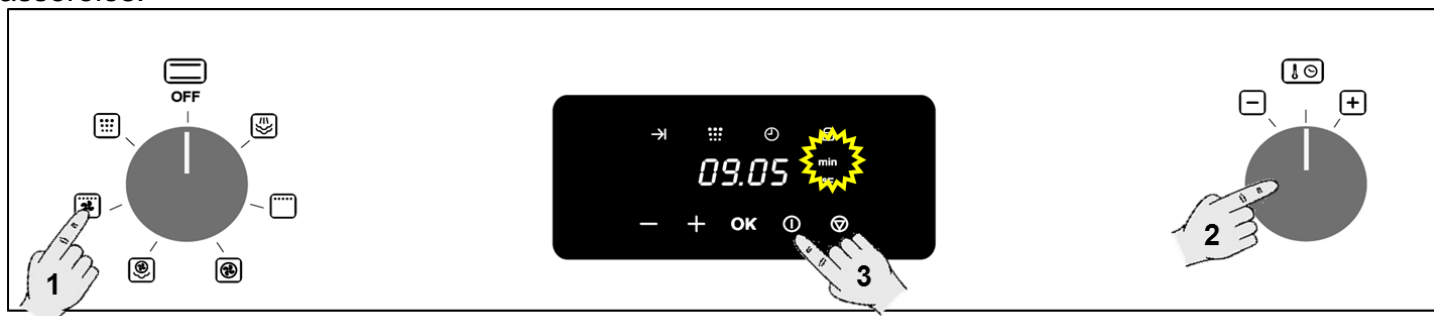


1. Tournez le **bouton de sélection des fonctions** sur la fonction **Chaleur tournante + Vapeur**. L'indicateur de la **température** le et l'afficheur (Display) commencent à clignoter («350°F»).
2. Tournez le **bouton de sélection « +/- »** pour régler la **température** souhaitée.
3. Appuyez sur la touche **OK** pour valider. L'indicateur du **temps de fonctionnement** et l'écran clignotent.
4. Sélectionnez le **temps souhaité** en tournant le **bouton de sélection « +/- »** dans n'importe quelle direction.
5. Appuyez sur la touche **Start**. Le four se met en marche.

**Note:** Le ventilateur de refroidissement continue à travailler pendant un certain temps. Lorsque la température a suffisamment baissée, le ventilateur s'éteint.

## Grill ventilé

Utilisez cette fonction pour cuisiner lasagnes, la volaille, les pommes de terre cuites au four et casseroles.



1. Tournez le **bouton de sélection des fonctions** sur la fonction **Grill ventilé**. L'indicateur du **temps de fonctionnement** et l'écran clignotent.
2. Sélectionnez le **temps souhaité** en tournant le bouton de sélection « +/- » dans n'importe quelle direction.

3. Appuyez sur la touche **Start**. Le four se met en marche.

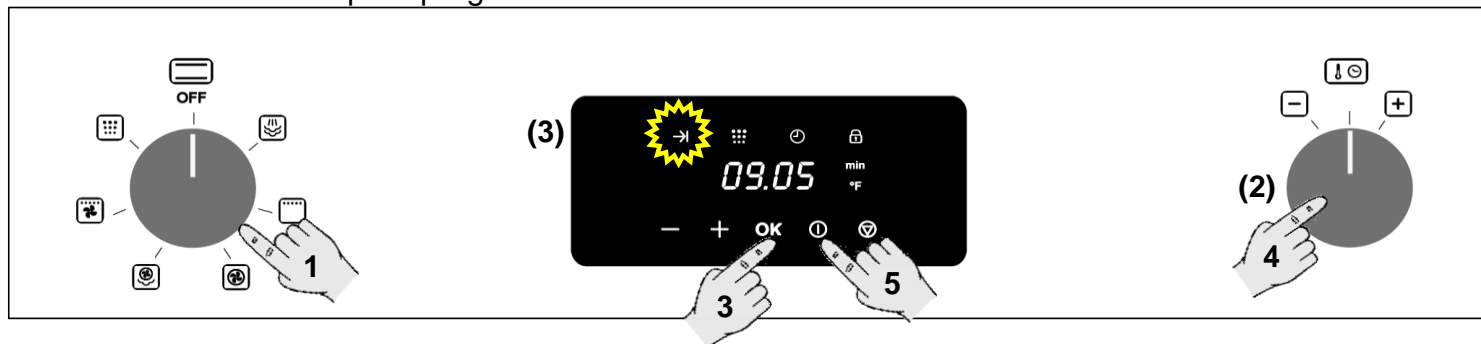
**Note:** Le ventilateur de refroidissement continue à travailler pendant un certain temps. Lorsque la température a suffisamment baissé, le ventilateur s'éteint.



## Fonctions spéciales

### Début de cuisson programmé

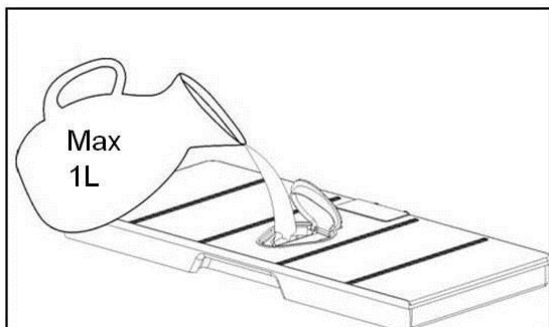
Utilisez cette fonction pour programmer le début de la cuisson à une heure différente.



1. Tournez le bouton **Sélecteur de fonction** sur la fonction souhaitée (Cette fonction fonctionne avec: Vapeur + L'Air chaud, L'air chaud + Vapeur).
2. Réglez les paramètres (par exemple: **temps de fonctionnement, puissance, température**), tel que décrit dans la section «Fonctions de base».
3. Appuyez sur la touche "OK" (au lieu de **Start**) pour entrer le **Début de cuisson programmé**. (L'indicateur du Début de cuisson programmé commence à clignoter à l'affichage).
4. Tournez le **bouton de sélection « - »** et « + » pour régler l'heure de **Démarrage** **différé**. (0:00 apparaît par défaut sur l'écran et vous pouvez retarder le démarrage du programme jusqu'à 9 heures et 59 minutes - 9:59).
5. Appuyez sur la touche **Start** pour valider l'heure de démarrage différé.
6. La durée de cuisson et de départ différé (+ indicateurs respectifs) seront affichés en alternance.
7. Le Début de cuisson programmé commence en compte à rebours.
8. Le four commencera à fonctionner lorsque le départ différé atteint 00:00.

### Remplir le réservoir d'eau

Il est nécessaire que le réservoir d'eau soit plein pour que l'appareil fonctionne correctement. Remplissez le réservoir d'eau, en utilisant de l'eau potable froide (approximativement 4 verres/ 1ltr) et introduisez le réservoir dans l'emplacement situé au dessus de la cavité jusqu'à ce que vous entendiez un clic.



Si l'indication «rES» s'allume, cela signifie que le réservoir d'eau n'a pas été correctement positionné.

**NOTE:** L'eau distillée ou stérilisée ne peut jamais être utilisée pour la cuisson du four à vapeur. Les minéraux de l'eau sont en effet essentiels pour que le processus de cuisson fonctionne.

### Remplir à nouveau l'eau

La contenance du réservoir d'eau est suffisante pour une cuisson de 50-60 minutes.

S'il s'avère nécessaire de remplir à nouveau le réservoir d'eau, le voyant du réservoir s'allume.



**Versez un maximum de 2 verres pour être sûr que l'eau ne déborde pas lorsqu'elle est de nouveau pompée dans le réservoir. RISQUE DE DÉBORDEMENT!**

### Vider le réservoir d'eau

Quand l'appareil est éteint, l'eau résiduelle est renvoyée dans le réservoir. Pendant que l'eau est renvoyée, l'affichage indique « PUMP ». Ce message reste affiché jusqu'à ce que la température de l'eau atteigne 75° C, température à partir de laquelle elle sera renvoyée dans le réservoir.

**Attention ! L'eau dans le réservoir peut être chaude. Risque de brûlures !**

Une fois que l'eau a été renvoyée dans le réservoir d'eau, l'affichage indiquera le message «EMP» qui nécessite de procéder aux actions suivantes :

1. Retirez et videz le réservoir d'eau.
2. Séchez le réservoir d'eau et réintroduisez le dans l'emplacement situé au-dessus de la cavité. Nettoyez et séchez l'enceinte de cuisson.
3. Maintenez la porte de l'appareil ouverte pour laisser l'enceinte de cuisson refroidir et sécher complètement.

**NOTE IMPORTANTE :** Il est conseillé de retirer le réservoir d'eau et de le vider après chaque cycle de cuisson. Ceci permet d'éviter la prolifération de bactéries et la formation de calcaire dans l'appareil.

Si vous voulez faire deux cuissons consécutives, le réservoir ne doit pas être vidé. Le message « EMP » s'affiche à l'écran.

L'avertissement peut être éliminé en appuyant sur la touche **Stop** et en poursuivant le nouveau cycle de cuisson sans retirer et vider le réservoir d'eau.

## Pendant le fonctionnement du four...

### Interrompre un cycle de cuisson

Vous pouvez interrompre un la cuisson à n'importe quel moment en appuyant une seule fois sur la touche **Stop**.

Le four est équipé d'une fonction de réduction de vapeur qui est activée quand la touche **Stop** est appuyée afin de graduellement laisser la vapeur s'échapper de la cavité, pour qu'il n'y ait pas un nuage de vapeur soudain lorsque la porte de l'appareil est ouverte.

Cette fonction prend à peu près 3 minutes et pendant son fonctionnement, le mot « VAP » est affiché.

**Attention ! Lorsque vous ouvrez la porte pendant la cuisson ou à la fin de celle-ci, prenez garde à l'évacuation de l'air chaud et / ou de la vapeur qui s'échappe de l'enceinte de cuisson. Reculez ou mettez-vous sur le côté pour éviter les brûlures.**

A ce moment là:

- Le générateur de vapeur est interrompu.
- Les murs de la cavité et le réservoir sont encore très chauds. **Risque de brûlures !**
- La minuterie s'arrête et l'affichage indique le temps de fonctionnement restant (si celui-ci avait été réglé).

Si vous le souhaitez, à ce moment là, vous pouvez :

1. Tourner ou mélanger la nourriture pour vous assurer qu'elle soit cuite uniformément.
2. Changer les paramètres de cuisson.

Pour recommencer, fermer la porte et appuyer sur la touche **Start (Démarrer)**.

### Changer les paramètres

Il est possible de changer les paramètres de fonctionnement (temps et température) quand la cuisson a été interrompue, en procédant comme suit :

1. Pour changer le temps, appuyez sur les touches « + » et « - ». Le nouveau temps réglé est immédiatement validé.
2. Pour changer la température, appuyez sur la touche de sélection de la température et l'affichage et le voyant respectif clignoteront. Pour changer le paramètre, appuyez sur les touches « + » et « - » et confirmez votre sélection en appuyant à nouveau sur la touche de sélection de la température

### Annuler un cycle de cuisson

Si vous souhaitez annuler le cycle de cuisson, appuyez sur la touche **Stop** deux fois.

Vous entendrez un bip et le message « **END** » s'affichera.

### Fin du cycle de cuisson

A la fin d'une durée déterminée ou quand vous appuyez sur la touche **Stop** pour signifier la fin du cycle de cuisson, la fonction de réduction de vapeur du four se met en marche.

Cette fonction laisse la vapeur s'échapper graduellement de la cavité, pour qu'il n'y ait pas un nuage de vapeur soudain lorsque la porte de l'appareil est ouverte.

Cette fonction prend à peu près 3 minutes et pendant son fonctionnement, le mot « VAP » est affiché.

A la fin du processus, vous entendrez trois bips et le mot « **End** » s'affichera.

**Attention ! Lorsque vous ouvrez la porte pendant la cuisson ou à la fin de celle-ci, prenez garde à l'évacuation de l'air chaud et / ou de la vapeur qui s'échappe de l'enceinte de cuisson. Reculez ou mettez-vous sur le côté pour éviter les brûlures.**

Les bips se répètent toutes les 30 secondes jusqu'à ce que la porte soit ouverte ou que vous appuyiez sur la touche **Stop**.

Le ventilateur de refroidissement fonctionne encore un certain temps après que l'appareil ait été éteint. C'est une fonction normale qui permet de diminuer la température à l'intérieur du four.

Lorsque l'affichage indique le mot « **EMP** », cela signifie que l'eau a été renvoyée dans le réservoir d'eau et que celui-ci peut être retiré.

Retirez le réservoir d'eau et séchez-le complètement. Laissez l'espace cuisson se refroidir pendant un moment, puis nettoyez-le et séchez-le avec un chiffon. La porte de l'appareil doit rester ouverte un petit moment pour que celui-ci puisse sécher complètement.

### Eau résiduelle dans le four

Afin de diminuer la quantité d'eau résiduelle dans le four, il est conseillé de placer un plateau en métal sur la grille inférieure. Le liquide condensé commence à suinter de la nourriture et goutte en eau résiduelle dans le plateau. Ce qui reste d'eau résiduelle peut être facilement essuyée avec un chiffon.

## Utilisation des accessoires

Le bac de cuisson perforé sert à étuver des légumes, de la viande ou de la volaille frais ou congelés. Il est donc important que le bac de cuisson non perforé soit placé au premier niveau des supports en partant du bas. L'humidité va ainsi s'y déposer en gouttelettes et ne salira pas l'appareil. Le bac perforé contenant les aliments doit être placé au deuxième niveau en partant du bas.

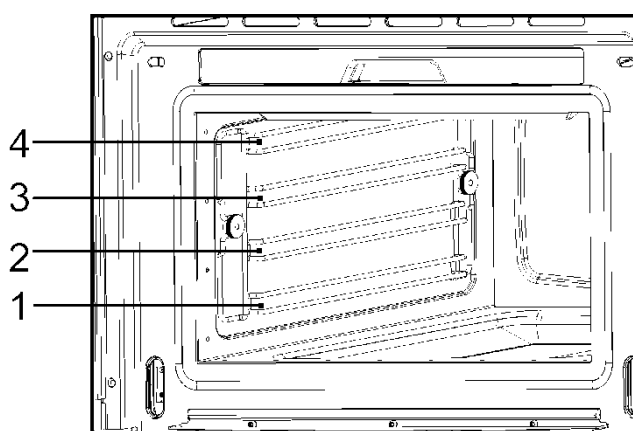
Le bac non perforé sert à étuver les aliments délicats, par ex. de la compote, des quenelles et les plats à base d'eau.

La grille s'utilise pour étuver les récipients de cuisson plus petits que l'emplacement prévu comme par exemple des coupes à dessert et pour régénérer des assiettes.

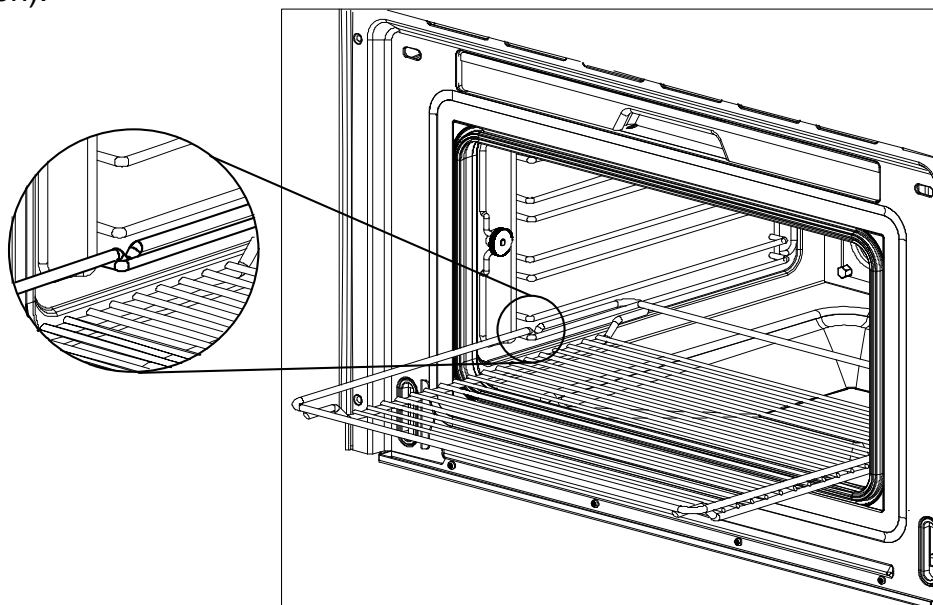
Les informations précises sont contenues dans les tableaux.

Les valeurs de durée de cuisson et de température sont fournies à titre indicatif. En fonction du type d'aliment et de sa constitution, la durée de cuisson

Réelle peut varier..



Pour retirer le support, soulevez légèrement la partie frontale des encoches sur les parois latérales du four (voir l'illustration).



**Il est recommandé d'utiliser le support avec la tôle de cuisson pour faire cuire des aliments qui peuvent goutter.**

## Tableaux et conseils

### Cuisson à la vapeur - Poisson

Poisson	Quantité	Température en °F	Temps de cuisson en min.	Récepteur	Niveau des supports en partant du bas
Dorade	28.22 - 43.33 oz	175	30-40	bac perforé	2
Truite	4 x 8.82 oz	175	20-25	bac perforé	2
Filet de saumon	17.64 – 35.27oz	175	15-25	bac perforé	2
Truite saumonée	35.27 – 42.33 oz	175	25-35	bac perforé	1/2
Crevettes	17.64 – 35.27oz	175	15-20	bac perforé	2
Moules vertes	35.27 – 52.9 oz	210	25-35	bac perforé	2
Filet de flétan	17.64 – 35.27oz	175	20-25	bac perforé	2
Bucardes	17.64 – 35.27oz	210	10-20	bac perforé	2
Homard, TK	28.22 - 42.33 oz	210	25-30	bac perforé	1/2
Filet de cabillaud	35.27 – 42.33 oz	175	20-25	bac perforé	2
Moules	35.27 – 42.33 oz	210	15-25	bac perforé	2
Ombles	4 x 8.82 oz	175	25-30	bac perforé	2
Haddock	35.27 – 42.33 oz	175	20-25	bac perforé	2
Filet de thon	17.64 – 35.27oz	175	15-20	bac perforé	2
Sandre	4 x 8.82 oz	175	25-30	bac perforé	2

### Viande

Viande	Quantité	Température en °F	Temps de cuisson en min.	Accessoire/ Récepteur	Niveau des supports en partant du bas
Boulettes de poulet	4-10	210	40-45	bac perforé	2
Poitrine de poulet	4-6	210	25-35	bac perforé	2
Côte de porc façon Kassel	17.64 – 35.27oz	210	40-50	bac perforé	2
Escalope de dinde	4-8	210	20-25	bac perforé	2
Filet de porc entier	4-8	210	20-30	bac perforé	2
Saucisses		175-210	10-15	bac perforé	2

### Garniture

Garniture	Quantité	Température en °F	Temps de cuisson en min.	Récepteur	Niveau des supports en partant du bas
Céréales + liquide	7.05oz + 13.53 fl oz	210	30-35	grille, coupe en verre	2
Semoule + liquide	7.05oz + 10.14 fl oz	210	10-20	grille, coupe en verre	2
Lentilles + liquide	7.05oz + 12.68 fl oz	210	20-50	grille, coupe en verre	2
Riz + liquide	7.05oz + 8.45 fl oz	210	25-40	grille, coupe en verre	2

# FR

## Tableaux et conseils

### Œufs

Œufs	Température en °F	Temps de cuisson en min.	Récipient	Niveau des supports en partant du bas
Œuf au plat	210	10-15	grille	2
Œuf dur	210	15	grille	2
Œuf à la coque	210	10-12	grille	2

### Légumes

Légumes/ frais		Température en °F	Temps de cuisson en min.	Récipient	Niveau des supports en partant du bas
Aubergines	En tranches	210	15-20	bac perforé	2
Haricots		210	35-45	bac perforé	2
Brocoli	Fleurs avec la tige	210	25-30	bac perforé	2
Brocoli	Fleurs sans la tige	210	15-20	bac perforé	2
Choux-fleur	Bouquets	210	25-30	bac perforé	2
Choux-fleur	La tête entière	210	40-45	bac perforé	1
Pois		210	30-35	bac perforé	2
Fenouil	En lamelles	210	15-20	bac perforé	2
Fenouil	Coupé en deux	210	20-30	bac perforé	2
Pommes de terre avec peau	Entières, très petites	210	20-25	bac perforé	2
Pommes de terre avec peau	Entières, très grosses	210	45-50	bac perforé	2
Pommes de terre sans peau	En cubes	210	20-25	bac perforé	2
Chou-rave	En lamelles	210	20-25	bac perforé	2
Haricots mange-tout		210	15-20	bac perforé	2
Carottes	En rondelles	210	25-30	bac perforé	2
Épis de maïs		210	50-60	bac perforé	2
Poivrons	En lamelles	210	12-15	bac perforé	2
Piments		210	12-15	bac perforé	2
Champignons	En quartiers	210	12-15	bac perforé	2
Poireaux	En rondelles	210	10-12	bac perforé	2
Choux de Bruxelles		210	25-35	bac perforé	2
Céleri	En lamelles	210	15-20	bac perforé	2
Asperges		210	20-35	bac perforé	2
Épinards		210	12-15	bac perforé	2
Céleri en branches		210	25-30	bac perforé	2
Courgettes	En rondelles	210	12-18	bac perforé	2

## Tableaux et conseils

### Quenelles

Quenelles	Température en °F	Temps de cuisson en min.	Réceptif	Niveau des supports en partant du bas
Boulette douce	210	20-30	bac non perforé	2
Boulette douce de levure	210	15-20	bac non perforé	2
Boulette de levure	210	15-25	bac non perforé	2
Quenelles de pain	210	20-25	bac non perforé	2
Quenelles serviette	210	25-30	bac non perforé	2

### Desserts

Desserts	Quantité	Température en °F	Temps de cuisson en min.	Réceptif	Niveau des supports en partant du bas
Compote de pommes	17.64 - 52.9 oz	210	15-25	bac non perforé	2
Compote de poires	17.64 - 52.9 oz	210	25-30	bac non perforé	2
Crème brûlée	--	175	20-25	grille-coupes	2
Crème caramel	--	175	25-30	grille-coupes	2
Yaourt	--	105	4-6 h.	grille-coupes	2
Compote de pêches	17.64 - 52.9 oz	210	15-20	bac non perforé	2

### Fruits (Stériliser/ réduire)

Fruits	Quantité	Température en °F	Temps de cuisson en min.	Réceptif	Niveau des supports en partant du bas
Poires	4-6 verres de 4 fl.oz.	210	30-35	grille	1
Cerises	4-6 verres de 4 fl.oz.	210	30-35	grille	1
Pêches	4-6 verres de 4 fl.oz.	175	30-35	grille	1
Prunes	4-6 verres de 4 fl.oz.	175	30-35	grille	1

### Régénérer

Réchauffer	Quantité	Température en °F	Temps de cuisson en min	Réceptif	Niveau des supports en partant du bas
Assiette	1-2	210	12-15	grille	2
Assiette	3-4	210	15-20	grille	2
Plat préparé		210	15-20	grille	2

### Blanchir

Légumes	Quantité	Température en °F	Temps de cuisson en min	Réceptif	Niveau des supports en partant du bas
Par ex. haricots, poireaux		210	10-12	bac perforé	2
Chou vert	35.27 – 42.33 oz	210	12-16	bac perforé	2
Chou frisé	10-20	210	12-15	bac perforé	2
Chou blanc, entier	70.55 -88.18 oz	210	30-45	bac perforé	1
Tomates, vidées		175	12	grille	2

## Décongeler

Légumes/ garnitures		Température en °F	Temps de cuisson en min	Récipient	Niveau des supports en partant du bas
Brocoli	Fleurs avec tige	210	15-20	bac perforé	2
Macédoine de légumes		210	15-20	bac perforé	2
Feuilles d'épinards	Portions	210	10-15	bac non perforé	2
Chou-fleur	Bouquets	210	15-20	bac perforé	2
Haricots		210	15-25	bac perforé	2
Chou vert	Gros morceau	210	25-35	bac non perforé	2
Carottes	En rondelles	210	15-20	bac perforé	2
Choux de Bruxelles		210	20-25	bac perforé	2
Asperges		210	25-30	bac perforé	2
Plats préparés		210	selon le besoin	grille	2
Pain		210	10-25	grille	2
Riz		210	15-25	bac non perforé	2
Lentilles		210	15-20	bac non perforé	2
Nouilles		210	15-20	bac non perforé	2

## Cuisson sur 2 niveaux

Quelques consignes:

Pour une cuisson sur deux niveaux, les récipients doit toujours être placée aux niveaux 2 ou 3 e au niveau 1 en partant du bas.

Temps de cuisson différents sont contrôlés comme suit:

Les aliments qui nécessitent un temps de cuisson plus long doivent être placés dans la partie supérieure du four. Les aliments nécessitant un temps de cuisson plus court sont donc placés au premier niveau. **Un exemple:** Légumes, pommes de terre et poisson.

Mettez les légumes et les pommes de terre dans des récipients sur la grille au niveau 2 ou 3 en partant du bas.

Mettez le poisson au premier niveau en partant d'en bas.

Si vous utilisez le bac perforé pour cuire du poisson, placez le bac non perforé en bas de l'appareil pour recueillir les gouttes de jus de poisson. L'appareil reste propre.

Temps de cuisson: Légumes et pommes de terre 25-35 min.

Temps de cuisson: poisson (selon l'espèce) 15-25 min.

Réglez une durée de cuisson maximale, les différents niveaux permettent de cuire les mets pour que tout soit prêt en même temps et que rien ne soit trop cuit.



## Cuisiner au grill

Pour obtenir de bons résultats avec le grill, utilisez la grille fournie avec le four.

### INDICATIONS IMPORTANTES :

1. Lors de la première utilisation du grill, un peu de fumée odorante peut se dégager. Elle résulte de l'emploi d'huiles pendant le processus de fabrication.
2. La vitre de la porte atteint des températures très élevées quand le grill est utilisé. **Ne laissez pas les enfants s'approcher.**
3. Nous vous conseillons de porter des gants de cuisine car la grille et les parois de la cavité atteignent des températures très élevées.
4. Le thermostat de sécurité fait que les résistances s'éteignent temporairement lors d'une utilisation prolongée du grill.
5. Important ! Vous devez vérifier que les récipients que vous utilisez quand vous cuisinez ou faites griller des aliments sont bien adaptés au micro-ondes. Voir le chapitre sur le type de vaisselle !
6. Quand vous utilisez le grill, des éclaboussures de graisse peuvent atteindre la résistance et être brûlées. C'est une situation normale qui ne représente aucun problème de fonctionnement.
7. Nettoyez l'intérieur et les accessoires après chaque cuisson, pour que les saletés ne s'incrustent pas.

Aliment	Quantité (g)	Temps (m)	Indications
<b>Poisson</b>			
Dorade	28.22 oz	18-24	Beurrez légèrement. Quand la moitié du temps est écoulée, retournez et ajoutez les condiments.
Sardine/ rascasse rouge	6-8 unités	15-20	
<b>Viande</b>			
Saucisse	6-8 unités	22-26	Percez et retournez quand la moitié du temps est écoulée.
Hamburger congelé	3 unités	18-20	Retourner 2 ou 3 fois.
Entrecôte (environ 3 cm d'épaisseur)	14.11 oz	25-30	Saucez et retournez quand la moitié du temps est écoulée.
<b>Autres</b>			
Toasts	4 unités	1½-3	Surveillez les toasts.
Gratiner des sandwichs	2 unités	5-10	Surveillez le gratin

Préchauffez le grill pendant 2 minutes. Sauf indication contraire, utilisez la grille. Placez la grille sur un récipient dans lequel l'eau et la graisse puissent couler.

Les temps sont mentionnés à titre d'indication car ils peuvent varier en fonction de la composition des aliments, de leur quantité et de la cuisson demandée. Le poisson et la viande gagnent un goût délicieux si, avant de les griller, vous les badigeonnez d'huile végétale, épices et herbes

aromatiques, et si vous les laissez mariner quelques heures. Ne salez qu'après la grillade.

Les saucisses n'éclatent pas si vous les percez préalablement avec une fourchette.

Au milieu du temps de fonctionnement, contrôlez la cuisson, remuez ou retournez si nécessaire.

Le grill est spécialement adapté pour la cuisson de la viande en morceaux et du poisson en filets. Les morceaux fins de viande peuvent être retournés une seule fois, les plus gros plusieurs fois.

### Préparation de viande

Aliment	Quantité (g)	Température °F	Temps (mn)	Temps de repos (mn)	Indications
Rôti de veau	35.27	320/ 340	80/90	10	Récipient sans couvercle
Filet de porc Côtelette ou os Rôti de porc	17.64 / 21.16	355/ 375	35/40	10	Récipient sans couvercle
Poulet entier	35.27 / 42.33	390	30/40	10	Récipient avec couvercle. Bréchet vers le haut. Ne tournez pas.
Poulet en morceaux	28.22	390	25/35	10	Récipient sans couvercle. Placer les morceaux la peau en haut. Ne tournez pas.
Canard	52.9 / 59.97	390	70/80	10	Récipient avec couvercle. Ne tournez pas.

### Conseils pour la cuisson

Retournez les pièces de viande à la moitié du temps de cuisson. Quand le rôti est cuit, laissez-le reposer 20 minutes dans le four éteint et fermé. Le jus de la viande sera ainsi mieux réparti. La température et le temps de cuisson dépendent du type et de la quantité d'aliment.

S'il n'y a pas d'indication du poids exact du rôti dans le tableau, choisissez le poids immédiatement inférieur et prolongez le temps.

### Conseils pour la vaisselle

Vérifiez que la vaisselle entre bien à l'intérieur du four.

Les récipients en verre, quand ils sont chauds, doivent être posés sur un chiffon de cuisine sec. Au contact d'une surface froide ou mouillée, le verre pourrait se fendiller et éclater. Utilisez un gant de cuisine pour retirer les plats du four

# Cuisiner au L'Air Chaud

## Préparation des gâteaux

Aliment	Réceptif	Niveau	Température°F	Temp (mn)
Gâteau aux noix	Moule creux	1	340/355	30/35
Tarte aux fruits	Moule de Ø 28 cm	2	300/320	35/45
Gâteau anglais	Moule creux	1	340/375	30/45
Tarte salée	Moule rond en verre	2	320/355	50/70
Gâteau simple	Moule de Ø 26 cm	1	320/340	40/45
Bûche	Moule à gâteau en verre	2	230	35/45
Gâteau aux cerises	Moule à gâteau en verre	2	340/355	35/45

### Conseils pour les moules à gâteaux

Les moules les plus fréquents sont les moules noirs en métal.

### Conseils pour cuisiner les gâteaux

La température de cuisson des gâteaux dépend de la qualité et de la quantité de pâte. Essayez une première fois avec une température plutôt en dessous, ce qui permet d'obtenir un doré plus uniforme. La fois suivante, si nécessaire, choisissez une température plus forte.

### Suggestions pour une bonne cuisson

#### Comment vérifier que le gâteau est cuit :

Enfoncez un couteau fin sur le dessus du gâteau. Si la pâte ne colle pas au couteau, le gâteau est cuit.

#### Le gâteau est très foncé :

La prochaine fois, sélectionnez une température plus basse et laissez cuire le gâteau plus longtemps.

#### Le gâteau est très sec :

Faites de petits orifices, avec une petite fourchette, dans le gâteau déjà cuit, puis arrosez avec du jus de fruit ou une boisson alcoolique. La prochaine fois, montez la température de près de 50°F et réduisez le temps de cuisson.

#### Le gâteau ne veut pas sortir du moule :

Laissez refroidir le gâteau 5 à 10 minutes. Si la situation perdure, passez la lame d'un couteau tout autour du gâteau pour le dégager. La prochaine fois, beurrez mieux le moule.

#### Conseils pour économiser l'énergie

Quand vous faites plus de 1 gâteau, il est préférable de les mettre au four les uns après les autres. Encore chaud, le four cuira le deuxième gâteau plus rapidement. Utilisez de préférence des moules foncés, peints ou émaillés en noir, car ils absorbent mieux la chaleur.

Dans le cas de cuissons qui demandent plus de temps, vous pouvez éteindre le four 10 minutes avant la fin pour profiter de la chaleur résiduelle

## Nettoyage de l'enceinte de cuisson

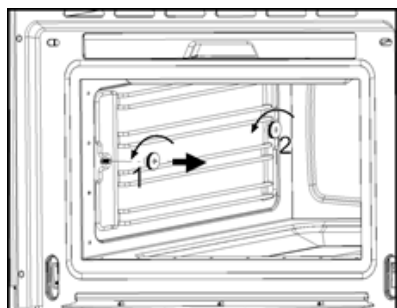
N'utilisez jamais de produit nettoyant agressif comme des éponges à récurer, des éponges métalliques, etc. Cela peut endommager la surface de l'enceinte de cuisson.

Nettoyez l'enceinte de cuisson à chaud avec un torchon humide. Pour terminer, essuyez avec un chiffon.

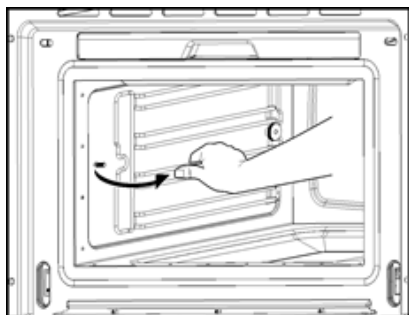
Pour faciliter le nettoyage, les supports latéraux peuvent être enlevés (voir chapitre suivant).

## Décrocher les supports latéraux

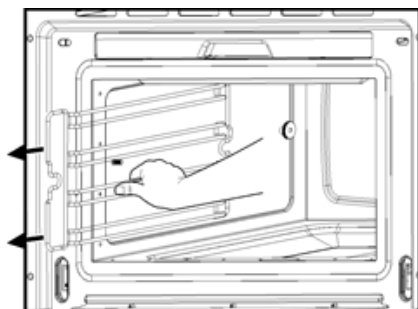
Dévissez l'écrou 1 à l'avant du support dans le sens inverse des aiguilles d'une montre.



Dévissez légèrement l'écrou 2 de la surface de fixation du support dans le sens inverse des aiguilles d'une montre. Ne pas ôter l'écrou.



Tirez légèrement le support vers l'avant et sortez-le du four.

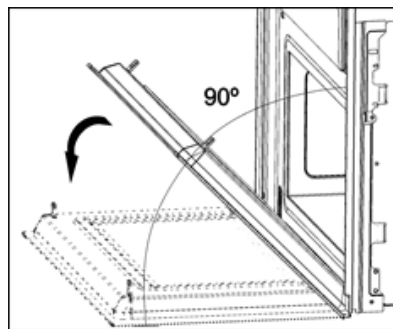


Pour remettre en place les supports, glissez-les dans l'écrou 2.

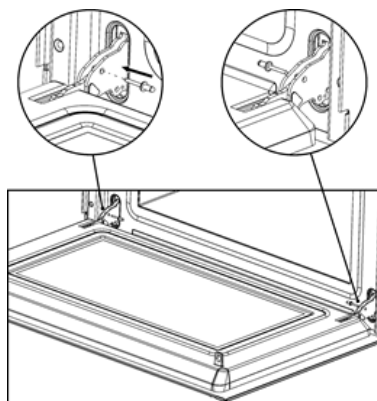
Vissez l'écrou 1 dans le sens des aiguilles d'une montre jusqu'à la butée, revissez fermement l'écrou 2.

## Enlever la porte de l'appareil

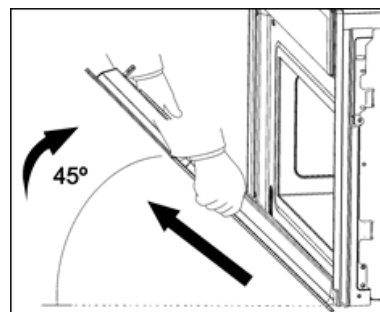
1. Ouvrez la porte au maximum.



2. Placez deux chevilles dans les gongs de la porte.



3. Fermez la porte juste ce qu'il faut pour pouvoir la soulever.



4. Pour remettre la porte en place, insérez les charnières dans les trous.

5. Ouvrez la porte au maximum et enlevez les chevilles.

## Entretien


### Détartrage

À chaque production de vapeur, du calcaire se dépose dans le générateur de vapeur, quelle que soit la dureté de l'eau (c.-à-d. de la teneur en calcaire de l'eau).

La fréquence du détartrage dépend de la dureté de l'eau et de la fréquence d'utilisation. Si le four est utilisé à raison de 4x30 minutes par semaine, le détartrage doit s'effectuer comme suit en fonction de la dureté de l'eau:

Dureté de l'eau	Détartrage après
Très douce	18 mois
Moyenne	9 mois
Très dure	6 mois

L'appareil détecte automatiquement lorsqu'un détartrage est nécessaire. Le voyant de

détartrage s'allume . Si le détartrage n'est pas effectué, le voyant se met à clignoter. Si après plusieurs cuissons, l'appareil n'est toujours pas détartré, le fonctionnement sera bloqué. Le message « CAL » s'affiche et les voyants clignotent.

**REMARQUE IMPORTANTE:** si l'appareil n'est pas détartré, l'appareil fonctionnera moins bien ou sera endommagé.

### Produits détartrants appropriés

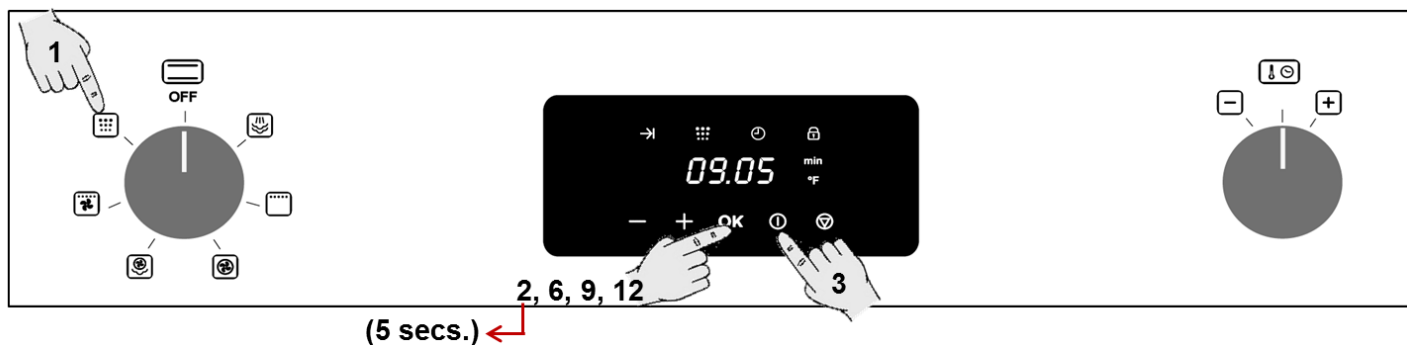
Pour le détartrage, utilisez le produit détartrant "durgol®".

Ce produit vous permet de détartrer votre appareil de façon professionnelle et adéquate. Disponibles via le service après vente.

**Attention! N'utilisez pas de vinaigre ou de produit nettoyant à base de vinaigre car cela pourrait endommager le circuit d'eau interne.**

Les produits détartrants classiques ne sont pas appropriés. Ils peuvent contenir des additifs favorisant le développement de mousse.

## Procédure de détartrage



**Attention : Pour des raisons de sécurité, le processus de détartrage, ayant une durée d'environ 45 minutes, ne peut être interrompu.**

L'appareil peut être détartré que la porte de l'appareil soit ouverte ou fermée. L'appareil doit être éteint pour que le cycle de détartrage commence.

Pour lancer le cycle de détartrage, procédez comme suit :

1. Tournez le bouton **Sélecteur de Fonction** à la position correspondant à la fonction de **Détartrage** . L'écran affiche la dureté de l'eau "**SOFT / MED / HARD**".
2. Appuyez sur la touche "**OK**" pendant 5 secondes pour entrer la procédure de détartrage. L'écran affiche «**CAL**» et il y a un bip intermittent.
3. (Si vous souhaitez annuler la procédure de détartrage lors de cette étape, appuyez sur le bouton « **Stop** »).
4. Appuyez sur la touche «**START**».
5. Lorsque l'affiche indique « **2 CUP** », retirez le réservoir d'eau.
6. Versez 2 verres d'une solution détartrante appropriée dans le réservoir d'eau et remettez le en place.
7. Appuyez sur la touche **START**». Le cycle de détartrage commence et prend environ 30 minutes.
8. (Le processus de détartrage est silencieux et au cours de ce processus, l'affichage continue à voir "**2 CUP**" (sans clignoter).

9. Lorsque l'écran affiche « **4 CUP** » en clignotant et qu'un signal retentit, le réservoir d'eau doit être retiré et vidé.
10. Remplissez le réservoir d'eau avec 4 verres d'eau froide et remettez le réservoir d'eau en place.
11. Appuyez sur la touche **START**. Le premier cycle de rinçage commence.
12. Lorsque l'écran affiche à nouveau « **4 CUP** » en clignotant et qu'un signal retentit, le réservoir d'eau doit être retiré et vidé.
13. Remplissez le réservoir d'eau avec 4 verres d'eau froide et remettez le réservoir d'eau en place.
14. Appuyez sur la touche **START**. Le deuxième cycle de rinçage commence.
15. Lorsque le cycle de rinçage est terminé, l'affichage indique « **End** ». Le message «**EMP**» sera affiché jusqu'à ce que le réservoir d'eau est éliminée.
16. Retirez, videz et séchez le réservoir d'eau.

## Nettoyage et maintenance de l'appareil

**Attention!** Le nettoyage doit être effectué lorsque l'appareil est hors tension. Retirez la fiche de la prise ou bien débranchez le circuit électrique de l'appareil.

**N'utilisez pas de produit nettoyant ou de produit à récurer agressif, de serpillère abrasive ni d'objets tranchants car leur action peut laisser des traces sur l'appareil.**

**N'utilisez jamais de nettoyeur à haute pression ou à jet de vapeur.**

### Façade

Un chiffon humide suffit à nettoyer l'appareil. Si l'appareil est très encrassé, utilisez de l'eau additionnée de quelques gouttes de produit de vaisselle. Essuyez ensuite l'appareil avec un torchon sec.

Pour les **appareils avec une façade en aluminium**, utilisez un nettoyant pour vitres doux et un torchon doux et non pelucheux. Essuyez la façade horizontalement, sans exercer de pression sur la surface.

Éliminer immédiatement les tâches de calcaire, de graisse, d'amidon et de blanc d'œuf. Ces tâches peuvent provoquer une corrosion.

Ne laissez pas l'eau pénétrer dans l'enceinte de cuisson.

### Aire de cuisson

Nettoyez les surfaces intérieures après chaque utilisation à l'aide d'un torchon humide. Laissez la porte ouverte afin que l'enceinte de cuisson refroidisse et sèche.

**N'utilisez pas de produit nettoyant agressif pour éliminer les tâches tenaces. N'utilisez ni de nettoyant pour four ni d'autre produit récurant agressif.**

**Maintenez la porte et les parois de l'appareil propres en permanence afin de garantir son parfait fonctionnement.**

Ne laissez pas rentrer d'eau dans les aérations.

Le cache en verre de la lampe se trouve sur le haut de l'appareil et peut facilement être enlevé pour le nettoyage. Dévissez-le et nettoyez-le avec de l'eau additionnée de produit de vaisselle.

### Accessoires

Nettoyez chaque accessoire après utilisation. Si l'accessoire est très sale, laissez-le tremper d'abord et utilisez ensuite une brosse et une éponge. Les accessoires peuvent être lavés au lave-vaisselle.

## Que faire en cas de dysfonctionnement ?

**ATTENTION!** Toute réparation ne doit être effectuée que par un technicien. Toute intervention effectuée par une personne autre que la personne autorisée par le fabricant est dangereuse.

Les problèmes suivants peuvent être résolus sans recourir au service après vente :

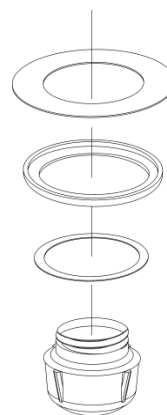
- **Il n'y a plus d'affichage !** Vérifiez si:
  - l'affichage de l'heure a été désactivé (voir section sur les réglages de base).
- **Rien ne se passe lorsque vous appuyez sur les touches!** Vérifiez si:
  - le verrouillage de sécurité est actif (voir section sur les réglages de base).
- **L'appareil ne fonctionne pas!** Vérifiez si:
  - la fiche est bien enfoncée dans la prise,
  - le circuit électrique de l'appareil est branché.
- **Des bruits se produisent pendant la marche de l'appareil!**
  - Il s'agit de bruits liés au fonctionnement qui peuvent se produire pendant la durée de production de vapeur, par exemple lors du pompage de l'eau par le générateur de vapeur.
  - Ces bruits sont normaux, il n'y a aucun problème.
- **Les aliments ne chauffent pas ou très lentement!** Vérifiez si:
  - vous avez choisi la bonne température et la bonne durée de cuisson,
  - vous avez introduit une quantité d'aliment supérieure ou inférieure à d'habitude à l'intérieur de l'appareil.
- **Si le message « Err\_ » s'affiche, veuillez contacter le service client.**

- **Après la fin d'un processus de cuisson, un bruit retentit!** Ce n'est pas un problème.
  - Le ventilateur de refroidissement fonctionne encore un moment. Il s'éteint lorsque la température est suffisamment redescendue.
- **L'appareil fonctionne mais l'éclairage intérieur n'est pas allumé!**
  - Si toutes les fonctions marchent correctement, alors l'ampoule est probablement grillée. Vous pouvez continuer à utiliser l'appareil.

### Changement de l'ampoule

Procédez comme suit pour changer l'ampoule:


- Débranchez l'alimentation de l'appareil. Retirez la fiche de la prise ou coupez l'alimentation de l'appareil.
- Dévissez le cache en verre de la lampe.
- Retirez l'ampoule halogène. **Attention! L'ampoule peut être très chaude.**
- Mettez une nouvelle ampoule G9 230V / 25W. Suivez les instructions du fabricant de l'ampoule.
- Revissez le cache en verre de la lampe.
- Rebranchez l'appareil au circuit électrique





# Caractéristiques techniques

## Affichages

Affichages	Description
<b>Détartrage</b>	
<b>SOFT</b>	Eau douce.
<b>MEDIUM</b>	Eau moyenne.
<b>HARD</b>	Eau dure.
 / CAL	L'appareil doit être détartré. Clignotant - commencement du détartrage.
<b>2 CUP</b>	Versez 2 verres de solution détartrante dans le réservoir d'eau.
<b>4 CUP</b>	Versez 4 verres d'eau froide dans le réservoir d'eau pour le rinçage.
<b>Réservoir d'eau</b>	
<b>r ES</b>	Indication qu'il manque le réservoir d'eau.
<b>EMP</b>	Le réservoir d'eau doit être retiré, vidé et réintroduit.
<b>-LO-</b>	Le réservoir est vide. Veuillez remplir avec 2 verres d'eau.
<b>Réduction de vapeur</b>	
<b>VAP</b>	Indication que le processus de réduction de vapeur est en cours de fonctionnement.
<b>PUMP</b>	Indication que l'eau froide pénètre dans la chaudière et que l'eau chaude est renvoyée vers le réservoir d'eau.
<b>Alertes système</b>	
<b>LAMP</b>	Lampe abîmée.
<b>S'il vous plaît contacter le service d'assistance technique dans le cas des erreurs suivantes:</b>	
<b>HOT</b>	La température dans le bloc de cuisson perforé est trop élevée.
<b>Err_</b>	Diverses erreurs dans les capteurs.

## Spécifications

- Tension ..... (voir fiche d'identification)
- Puissance requise ..... 3200 W
- Courant requise ..... 14 A
- Puissance du vapeur ..... 1500 W
- Puissance du gril ..... 1200 W
- Puissance de l'air chaud ..... 1600 W
- Dimensions extérieures (lxhxL) ..... 29 27/32 × 18 45/64 × 21 11/32
- Dimensions de l'enceinte de cuisson (lxhxL) ..... 16 17/32 × 8 17/64 × 15 23/64
- Contenance du four ..... 1,34 ft<sup>3</sup>
- Poids ..... 78 lbs

# FR

## Instructions pour l'installation

### Avant l'installation

**Vérifiez que la tension de l'alimentation** de l'appareil, indiquée sur la plaque des caractéristiques correspond à celle de votre installation.

S'il y a lieu, conformément au Code national de l'électricité (ou au Code canadien de l'électricité), cet appareil doit être installé sur **un circuit de dérivation séparé**.

**Installateur** – Indiquer au propriétaire l'emplacement du disjoncteur ou du fusible. Identifier sa position pour pouvoir le retrouver facilement.

Avant l'installation, mettre l'appareil hors service au panneau de service. Verrouiller le panneau d'entrée d'électricité pour éviter que le courant ne soit accidentellement rétabli.

**S'assurer que l'appareil est installé et mis à la terre par un technicien qualifié.** L'installation, les connexions électriques et la mise à la terre doivent être conformes à tous les codes applicables.

Ouvrez la porte du four et **retirez tous les accessoires** ainsi que l'emballage.

**Attention!** Le devant du four peut être enveloppé d'une **pellicule de protection**. Retirez-la soigneusement, avant la première utilisation, en commençant par le bas.

**Vérifiez que le four n'est pas endommagé.** Assurez-vous que la porte du four ferme correctement et que le côté intérieur de la porte et le devant de la cavité ne sont pas abîmés. S'ils le sont, appelez le Service d'assistance technique.

**N'UTILISEZ PAS LE FOUR** si le conduit flexible est endommagé, si le four ne fonctionne pas correctement ou s'il est endommagé ou bien tombé. Appelez le Service d'assistance technique.

Installez le four sur une surface stable, le plus loin possible des radios, télévisions et de tout ce qui produit de la chaleur.

### Alimentation Electrique

Avant d'installer le four avec un électricien qualifié, vérifiez que votre maison est pourvue du système électrique approprié et qu'en plus le four ne surchargera pas le circuit de branchement sur lequel il doit être installé.

Sont nécessaires un triphasé séparé, ou un four à simple phase à 4 fils, 240 Volt, 60 Hz.

Pour brancher le four, vous aurez besoin d'une boîte de raccordement approuvée qui est facilement à portée de main à travers le devant du meuble où le four sera placé. Le four a 90 cm de conduit.

Laissez 60 des 90 d'espace entre la ligne électrique pour que le four puisse être déplacé si un dépannage était nécessaire.

NE RACCOURCISSEZ PAS le conduit flexible.

### Cablage Necessaire

Lorsque vous raccordez les fils, utilisez toute la longueur de conduit fourni (90 cm). Le conduit ne doit pas être coupé.

Avant de faire les raccordements, assurez-vous qu'il n'y a plus d'électricité et lisez et observez ce qui suit:

1. Sont nécessaires pour le four un circuit de raccord triphasé ou à quatre fils, simple phase, 240 Volt, 60 Hz.
2. Le four doit uniquement être raccordé avec des fils cuivre ou aluminium.

## Instructions pour l'installation

### 3. Aux Etats-Unis :

Les fils doivent être conformes au code électrique national, ANSI/NFPA No. 7 dernière édition. Vous pouvez obtenir une copie du code électrique national en écrivant à: National Fire Protection Association Batterymarch Park Quincy, MA 02269

Au Canada:

Les fils doivent être conformes au code électrique canadien C22.1- dernière édition. Vous pouvez obtenir une copie du code électrique canadien en écrivant à: Canadian Standards Association 178 Rexdale Boulevard Rexdale (Toronto), Ontario, Canada M9W 1R3

4. La taille des fils (CUIVRE OU ALUMINIUM) et des connexions doit être appropriée aux caractéristiques des appareils électroménagers par le code électrique national. Le câble armé flexible s'étendant du four doit être connecté directement au boîtier de raccordement.

5. Le boîtier de raccordement doit être situé pour qu'il y ait un maximum d'espace entre lui et four pour qu'il puisse être déplacé en cas de panne.

6. Un connecteur conduit U.L. listed doit être placé à chaque extrémité du câble de raccordement d'alimentation.

## Connexions Electriques

**Assurez-vous que votre installation est correctement installée et branchée par un technicien qualifié. Demandez à votre revendeur un technicien qualifié ou un service de réparation agréé.**

Cet appareil est fabriqué avec un conducteur de terre vert connecté au châssis du four. Après vous être assuré qu'il n'y a plus de courant, branchez le conduit flexible depuis le four jusqu'au boîtier de raccordement en utilisant un connecteur de conduit U.L. listed. Les figures suivantes et les instructions fournies présentant la manière la plus commune de brancher un four. Vos codes locaux et règlements sont évidemment prioritaires sur ces instructions. Effectuez les connexions électriques conformément aux codes locaux et les règlements.

**“AVERTISSEMENT” Risque d'électrocution, cadre à la masse à une position neutre d'un appareil par une liaison.**

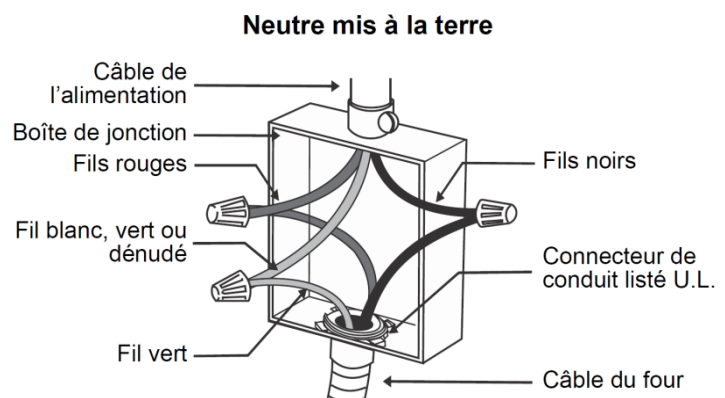
Mettre à la masse par un conducteur neutre est interdit pour les nouvelles installations de circuit électrique (1996 NEC); les mobile homes; et les véhicules de parc, ou dans les régions où les codes locaux interdisent de brancher à la masse à travers un conducteur neutre. Pour les installations où la mise à terre par un conducteur neutre est interdit:

- Déconnectez la masse du conducteur neutre aux extrémités libres du conduit ;
- Utilisez la borne de terre ou une broche de raccordement pour mettre à la terre l'unité; et
- Connectez la borne de neutre ou une broche de raccordement à un circuit de dérivation neutre de la manière habituelle.

## Connexion à 3 Fils (Pour US seulement)

Selon la Figure suivant, où les codes locaux permettent la connexion du conducteur de terre du four au fil NEUTRE du circuit de branchement (fil gris ou coloré blanc):

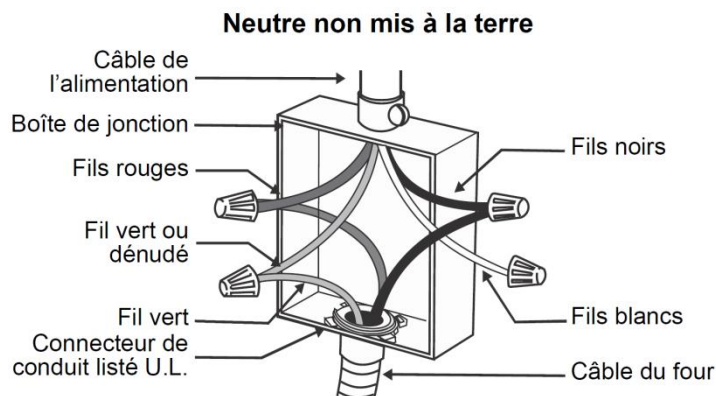
- Si les codes locaux le permettent, connectez le conducteur de terre vert du four et le fil blanc du four au fil NEUTRE du circuit de branchement (fil gris ou coloré blanc).
- Connectez les broches de raccordement du four aux broches de raccordement correspondantes dans le boîtier de raccordement.



### Connexion à 4 Fils (Pour des US ou CANADA)

Selon la Figure suivant :

- Déconnectez la masse du point neutre aux extrémités du conduit.
- Connectez le conducteur de terre vert du four au conducteur de terre dans le boîtier de raccordement (fil nu ou coloré vert).
- Connectez les broches de raccordement rouge et noir du four aux broches de raccordement correspondantes dans le boîtier de raccordement.



### Après l'installation

**Le four ne fonctionne que si la porte est correctement fermée.**

Avant la première utilisation, nettoyez l'intérieur du four ainsi que les accessoires en suivant les indications figurant au point «Nettoyage et entretien de votre four».

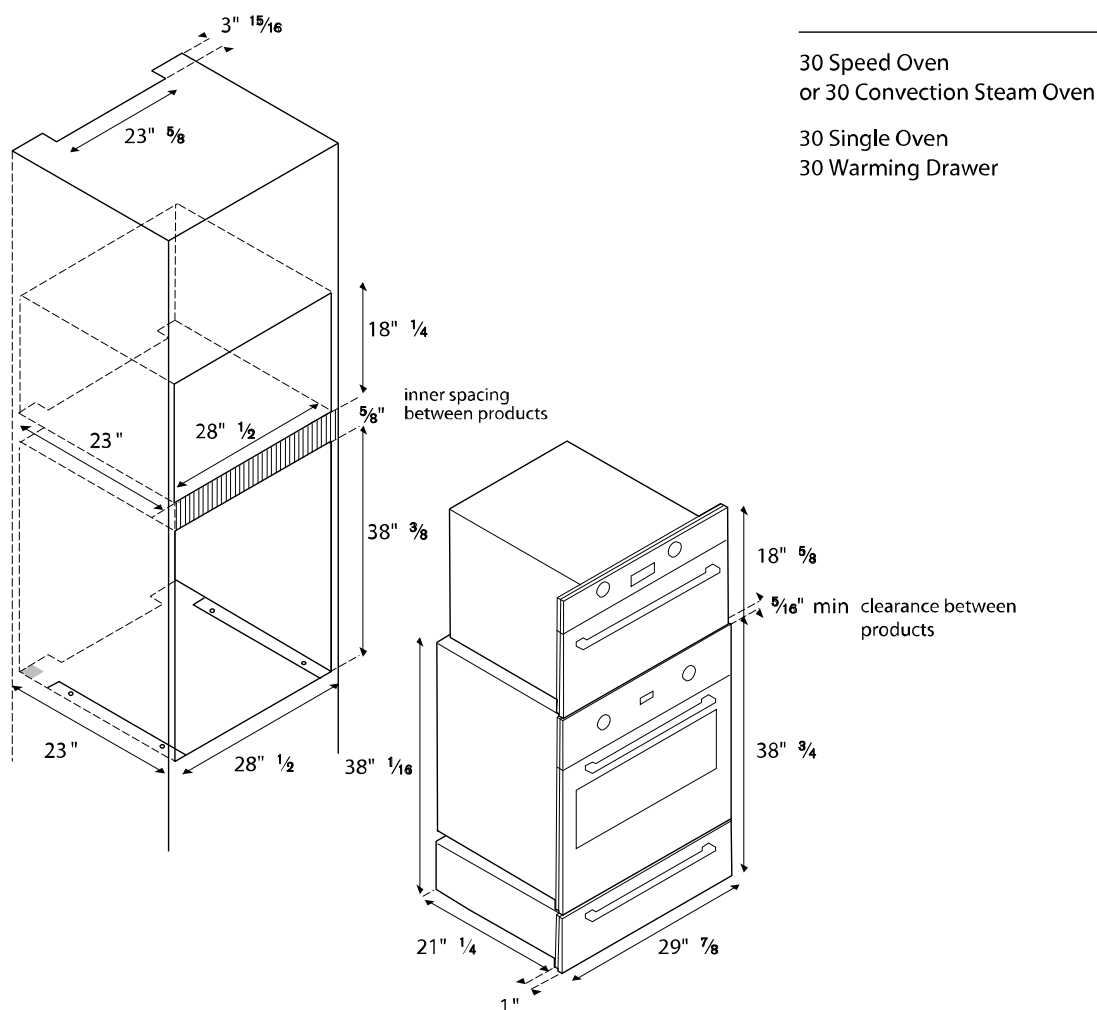
# Installation dimensions / Dimensions d'Installation

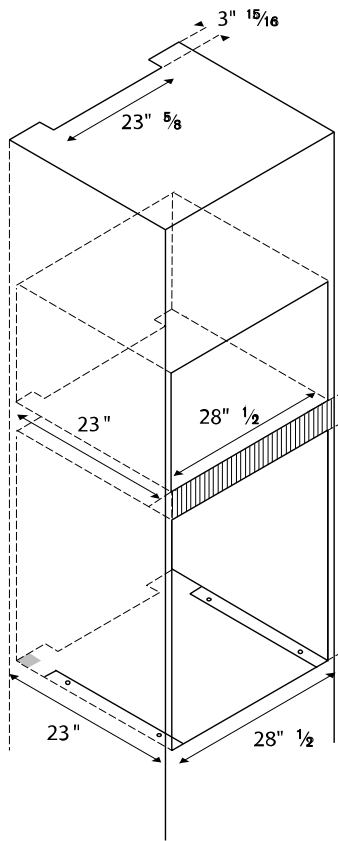
## BUILT-IN COMBINATIONS INSTALLATION DRAWINGS

This product is designed in combination with other Bertazzoni products. There are several installation options. Follow the cut-out requirements carefully for perfect installation. In order to avoid overheating of the cabinets bottom and for a perfect alignment with other Bertazzoni products, always install the sliding brackets supplied with the unit. These brackets will also make any after sale service operation easier. The upper oven can be placed directly over the warming drawer. There is no need to use a separation shelf.

## PLANS D'INSTALLATION DES COMBINAISONS D'ENCASTRER

Ce produit est conçu en combinaison avec d'autres produits Bertazzoni. Il y a plusieurs options d'installation. Suivez les mesures exigées soigneusement pour une installation parfaite. Afin d'éviter le surchauffage des armoires du bas et pour un parfait alignement avec d'autres produits Bertazzoni, installer toujours les supports coulissants fournies avec l'appareil. Ces supports seront également utiles afin de rendre toute opération de service après vente plus facile. Le four supérieur peut être placé directement sur le tiroir chauffant. Il n'est pas nécessaire d'utiliser le plateau de séparation.

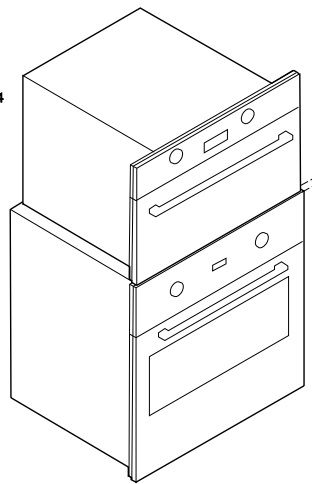




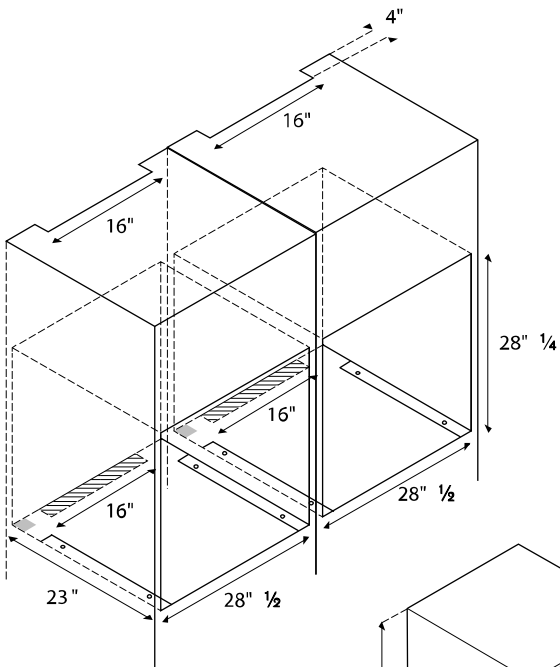

---

30 Speed Oven  
or 30 Convection Steam Oven  
30 Single Oven

18" 1/4  
5/8" inner spacing  
between products

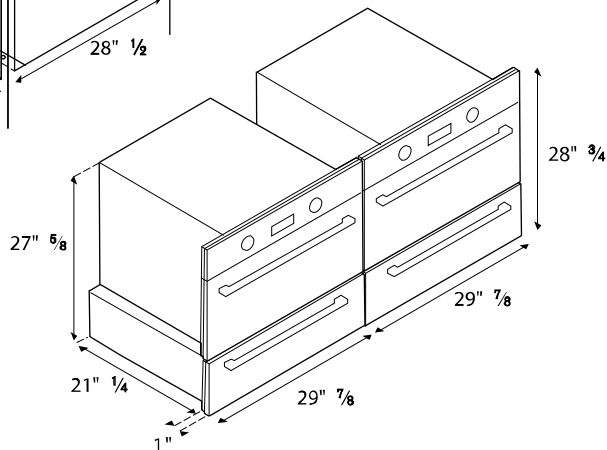


18" 5/8  
5/16" min clearance  
between  
products



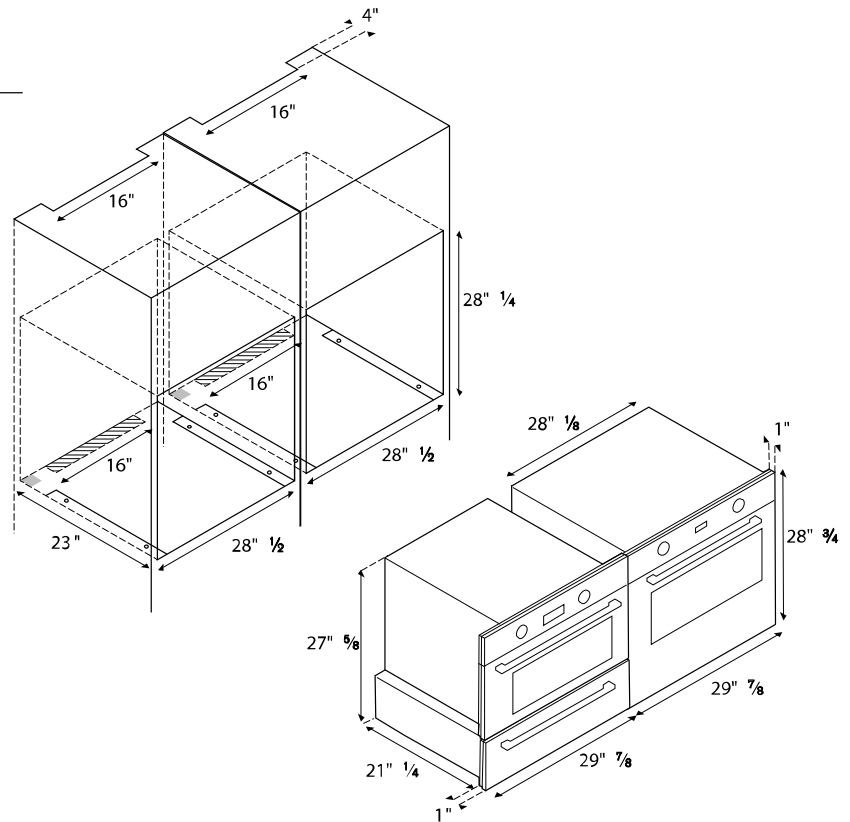

---

30 Speed Oven      30 Convection Steam Oven  
30 Warming Drawer      30 Warming Drawer



30 Speed Oven  
30 Warming Drawer

30 Single Oven

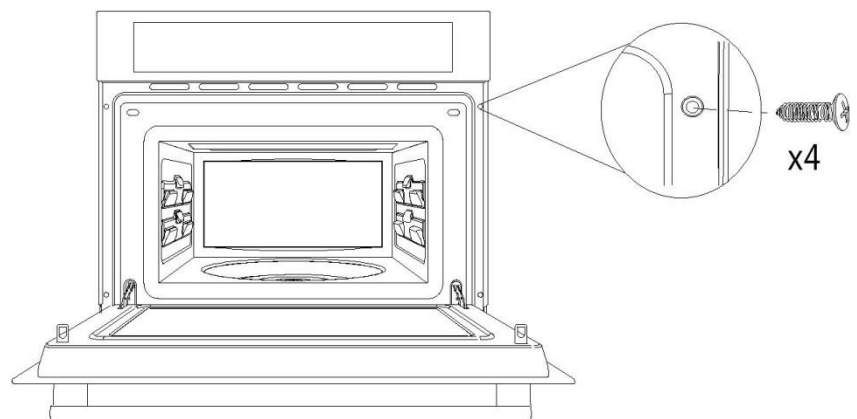


## EN

- Push oven completely into the cabinet and centre it.
- Open microwave door and fasten the appliance to the cabinet using the four screws provided. Insert the screws through the front holes.

## FR

- Introduisez le four dans le meuble jusqu'à ce que l'avant du four butte sur le bois et alignez-le.
- Ouvrez la porte du four et fixez ce dernier aux parois latérales du meuble au moyen des 4 vis fournies, par les trous prévus à cet effet.



# BERTAZZONI Distributor List

Distributor	States
DISTINCTIVE APPLIANCES DISTRIBUTING INC. WIXOM, MI 48393	Illinois, Indiana, Kentucky, Michigan, Minnesota, North Dakota, Ohio, South Dakota, West Virginia, Wisconsin
DOOLITTLE DISTRIBUTING INC. 13269 WEST 98TH STREET LENEXA, KANSAS 66215	Arkansas, Illinois, Iowa, Kansas, Missouri, Nebraska, Oklahoma
EASTERN MARKETING CORP. 24 EISENHOWER PARKWAY ROSELAND, NJ 07068	Connecticut, DC, Delaware, Maine, Maryland, Massachusetts, New Hampshire, New Jersey, New York, North Carolina, Pennsylvania, Rhode Island, South Carolina, Vermont, Virginia
ECHELON HOME PRODUCTS INC. 1051 ANDOVER PARK EAST TUKWILA, WA 98188	Alaska, Idaho, Montana, Oregon, Washington, Wyoming
PURCELL & MURRAY 185 PARK LANE BRISBANE, CA 94005	California, Nevada
PINNACLE EXPRESS INC. PO BOX 1836 33838 DUNDEE, FLORIDA	Alabama, Florida, Georgia, Tennessee
MILESTONE DISTRIBUTORS 4531 MCKINNEY AVENUE DALLAS, TEXAS 75205	Arizona, Louisiana, Mississippi, New Mexico, Texas

