
BERTAZZONI MODULAR SERIES

GAS COOKTOP 24" FOUR BURNER P24 4 00 X



The 24" gas cooktop provides a wide range of flexibility and burner power. The continuous surface and large radius burner spacing allow for simultaneous use of large pans and cookware. The heavy duty cast iron grates and stainless steel maintop are designed to handle any kind of cooking on the 5 burner model.

CONTROL



The ergonomically designed nickel coated knobs and precision gas valves ensure perfect control for each burner.

BERTAZZONI VALUE



The metal stamped Bertazzoni logo stands for a commitment to performance and pride of craftsmanship.



TO COOK BEAUTIFULLY

BERTAZZONI MODULAR SERIES

GAS COOKTOP 24" FOUR BURNER P24 4 00 X

FEATURES

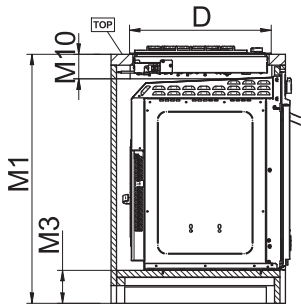
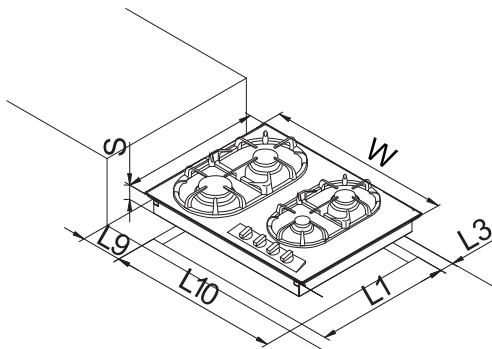
| | |
|------------------|-------------|
| Alluminum Burner | 4 |
| Dual wok (1x) | 12000 Btu/h |
| Rapid (1x) | 11000 Btu/h |
| Semi-rapid (1x) | 6500 Btu/h |
| Auxiliary (1x) | 3400 Btu/h |
| Simmer rate | 750 Btu/h |

TECHNICAL SPECIFICATIONS

| | |
|-------------------------|-------------------------|
| Electrical Requirements | 120V 60Hz |
| Max. Amp Usage | 1 Amp |
| Certification | CSA |
| Warranty | 2 years parts and labor |
| Product weight | 35 lbs |
| Box weight | 37 lbs |

ACCESSORIES

| | |
|---------------------|-------------|
| Wok ring (standard) | code 408117 |
|---------------------|-------------|



DIMENSIONS

| Ref. | Description | Dimensions | |
|----------|---------------------------------|----------------------------------|-----|
| | | Inches | mm |
| D | Cooktop depth | 19 ⁵ / ₈ | 499 |
| L1 | Cutout depth | 18 ⁷ / ₈ | 480 |
| L3 (min) | Cutout clearance from backwall | 3 | 76 |
| L9 (min) | Cutout clearance from cabinetry | 3 ¹ / ₂ | 64 |
| L10 | Cutout width | 22 ¹ / ₂ | 570 |
| M1 | Cabinetry height | 35 ³¹ / ₃₂ | 914 |
| M3 | Toekick height | 4 ³ / ₄ | 121 |
| M10 | Cooktop max encumbrance | 1 ¹ / ₂ | 38 |
| S | Cooktop height | 1 ¹ / ₂ | 38 |
| W | Cooktop width | 23 ¹ / ₄ | 590 |

INSTALLATION INSTRUCTIONS

Bertazzoni recommends to operate the appliance after it has been installed in a cabinet.

The kitchen cabinets shall be made of materials capable of withstanding temperatures at least 117°F (65°C) above room temperature in order to avoid possible damage to the cabinets during appliance usage.