

# BERTAZZONI HERITAGE SERIES

36" 6-BURNER, GAS OVEN HER36 6 GAS NE



The magnificent Bertazzoni Heritage Series gas ranges combine the classic appeal of time honored style with contemporary technology and advanced engineering. They are available in three beautiful colors inspired by the wonderful produce of Emilia, the heartland of Bertazzoni. The Heritage Series 36-inch gas range has an oven with a balanced air-flow convection fan for single and multi-level roasting and baking with no flavor crossover. The oven includes telescopic glide shelves, soft-motion door hinges for easy one-hand operation, and triple-glass windows to minimize heat loss. The beautiful worktop is precision-molded off of one sheet of stainless steel. It is configured with six versatile gas burners in brass, including Bertazzoni's signature dual-ring power burner with independently controlled flames for high power to delicate simmer. The worktop is designed for high-efficiency in heat delivery without energy waste. Each burner is equipped with the thermocouple gas shut-off safety system for maximum safety. Complete your Bertazzoni range with the Heritage hood and backsplash, as well as low profile trim, toekick and other beautiful accessories.

## BRASS BURNER



Bertazzoni's exclusive power burners in brass have independently operated flame rings giving maximum flexibility of operation from delicate low simmer to full power.

## SPECIAL SIGNATURE



Each range carries the signature of Antonio, son of founder Francesco Bertazzoni, and the man who first made Bertazzoni wood burning stoves popular throughout Italy.

## TELESCOPIC GLIDE SHELVES



The telescopic oven rack provides more convenient oven access and easier handling of hot and heavy dishes.



TO COOK BEAUTIFULLY

# BERTAZZONI HERITAGE SERIES

## 36" 6-BURNER, GAS OVEN HER36 6 GAS NE

### COLORS OF ITALY

Color is an essential expression of Italian exuberance and artistic elegance. Bertazzoni celebrates these special qualities with three matt textured color choice surfaces inspired by the vintage styling of an original range design in the early 1900's.



BLACK (NE)  
HER36 6 GAS NE



BURGUNDY (VI)  
HER36 6 GAS VI



CREAM (CR)  
HER36 6 GAS CR

### FEATURES

<b>Gas burners</b>	6
<b>Burner type</b>	brass
<b>Maintop</b>	one piece stainless steel sheet
<b>Burner controls</b>	knobs
<b>Knobs</b>	solid metal
<b>Grates</b>	cast iron
<b>Backguard</b>	standard 4 inches
<b>Gas safety device</b>	thermocouple technology
<b>One hand ignition</b>	standard
<b>Standard accessories</b>	wok ring & simmer plate
<b>Dual Power burner</b>	750 - 18,000 Btu/h
<b>Rapid burner</b>	11,000 Btu/h
<b>Semi-rapid burner</b>	6500 Btu/h
<b>Auxiliary burner</b>	3400 Btu/h
<b>Simmer rate</b>	750 Btu/h
<b>Main oven</b>	gas convection with gas infrared broiler
<b>Main oven functions</b>	traditional bake, gas convection, broil, defrost/dehydrate, sabbath mode
<b>Main oven volume</b>	4.4 ft <sup>3</sup>
<b>Inner oven door</b>	full-width triple glass
<b>Oven equipment</b>	1 telescopic glide shelf, 1 baking tray, 2 heavy gauge wire shelves, 1 grill trivet for tray
<b>Legs</b>	flap storage compartment, height-adjustable stainless steel legs

### ACCESSORIES

Toe kick panel (TKS 36 X), flat island trim (IRF 36 X), side trim (ST 36 HER NE)

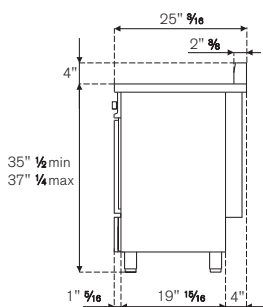
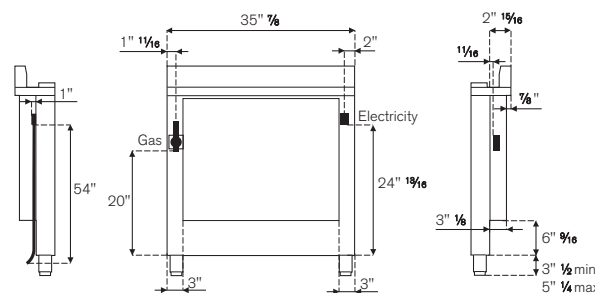
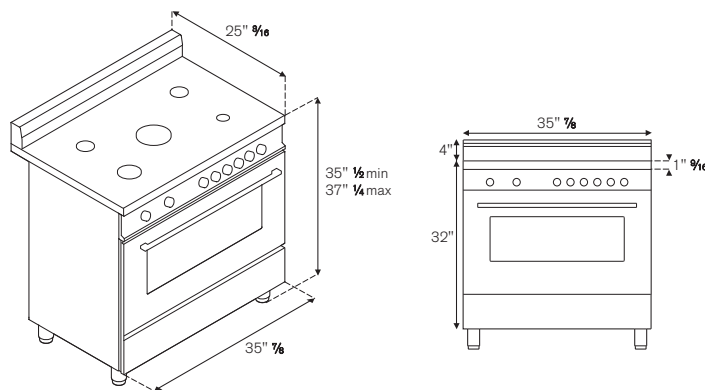
A LP conversion kit for all burners is included

### MATCHING VENTILATION SOLUTIONS

Bertazzoni offers a variety of matching ventilation solutions for this range. Please check our website under the ventilation tab for a complete overview of all choices

### TECHNICAL SPECIFICATIONS

<b>Voltage, frequency</b>	120 V , 60Hz
<b>Max Amp Usage, power rating</b>	1.5 A - 150 W
<b>Certification</b>	CSA
<b>Warranty</b>	2 years parts and labor



### INSTALLATION INSTRUCTIONS

Bertazzoni recommends to operate the appliance after it has been installed in a cabinet. The kitchen cabinets shall be made of materials capable of withstanding temperatures at least 117°F (65°C) above room temperature in order to avoid possible damage to the cabinets during oven usage. For further installation instructions refer to the installation manual.

**Disclaimer:** while every effort has been made to insure the accuracy of the information contained in this brochure, Fratelli Bertazzoni reserves the right to change any part of the information at any time without notice.

Fratelli Bertazzoni, Bertazzoni and the winged wheel brand icon are registered trademarks of Bertazzoni Spa.