

---

# BERTAZZONI PROFESSIONAL SERIES

48" 6 BURNER+GRIDDLE ELECTRIC DOUBLE OVEN SELF CLEAN RANGE  
PRO48 6G DFS X



Bertazzoni Professional Series ranges bring the authentic experience of Italian cooking to the heart of your home. They are available in stainless steel and six beautiful colors inspired by the wonderful produce of Emilia, the heartland of Bertazzoni. The Professional 48" double oven dual fuel range has a self-clean main oven with nine cooking modes and European convection, providing balanced air flow and even heat distribution for single and multi-level roasting and baking with no flavor crossover. The useful auxiliary oven has four cooking modes. The main oven includes telescopic glide shelves and quadruple-glass windows to minimize heat loss. The beautiful worktop is precision-molded off of one sheet of stainless steel. It is configured with six versatile gas burners in brass, including Bertazzoni's signature dual-ring power burner with independently controlled flames for high power to delicate simmer, and an electric griddle in stainless steel. The worktop is designed for high-efficiency in heat delivery without energy waste. Each burner is equipped with the thermocouple gas shut-off safety system for maximum safety. Complete your Bertazzoni range with any of the available ventilation and backsplash solution, as well as low profile trim, toekick and other beautiful accessories.

## BRASS BURNER



Bertazzoni's exclusive power burners in brass have independently operated flame rings giving maximum flexibility of operation from delicate low simmer to full power.

## TELESCOPIC GLIDE SHELVES



The telescopic oven rack provides more convenient oven access and easier handling of hot and heavy dishes.



TO COOK BEAUTIFULLY

# BERTAZZONI PROFESSIONAL SERIES

## 48" 6 BURNER+GRIDDLE ELECTRIC DOUBLE OVEN SELF CLEAN RANGE - PRO48 6G DFS X

### COLORS OF ITALY

Color is an essential expression of Italian exuberance and artistic elegance. Bertazzoni celebrates these special qualities with seven color choices inspired by the wonderful produce of Emilia-Romagna, heartland of Italian food since Roman times.



STAINLESS (X)  
PRO48 6G DFS X



BLACK (NE)  
PRO48 6G DFS NE



WHITE (BI)  
PRO48 6G DFS BI



YELLOW (GI)  
PRO48 6G DFS GI



ORANGE (AR)  
PRO48 6G DFS AR



RED (RO)  
PRO48 6G DFS RO



BURGUNDY (VI)  
PRO48 6G DFS VI

### FEATURES

<b>Gas burners</b>	6
<b>Burner type</b>	brass
<b>Griddle</b>	electric
<b>Maintop</b>	one piece stainless steel sheet
<b>Burner controls</b>	knobs
<b>Knobs</b>	metal finish
<b>Grates</b>	cast iron
<b>Backguard</b>	standard 4 inches
<b>Gas safety device</b>	thermocouple technology
<b>One hand ignition</b>	standard
<b>Standard accessories</b>	wok ring & simmer plate
<b>Dual Power burner</b>	750 - 18,000 Btu/h
<b>Rapid burner</b>	11,000 Btu/h
<b>Semi-rapid burner</b>	6500 Btu/h
<b>Auxiliary burner</b>	3400 Btu/h
<b>Simmer rate</b>	750 Btu/h
<b>Griddle</b>	1100 W, stainless steel/drip tray
<b>Main oven functions</b>	convection, bake, convection bake, turbo convection, convection broil, defrost/dehydrate, proofing, warming, broil, self clean
<b>Main oven volume</b>	3.4 ft <sup>3</sup>
<b>Auxiliary oven</b>	electric with electric grill
<b>Auxiliary oven functions</b>	upper bake, traditional bake, bake, broil
<b>Auxiliary oven volume</b>	1.7 ft <sup>3</sup>
<b>Inner oven door</b>	quadruple glass
<b>Oven equipment</b>	1 telescopic glide shelf, 1 baking tray, 2 heavy gauge wire shelves, 1 grill trivet for tray
<b>Legs</b>	height adjustable stainless steel wrapped legs

### ACCESSORIES

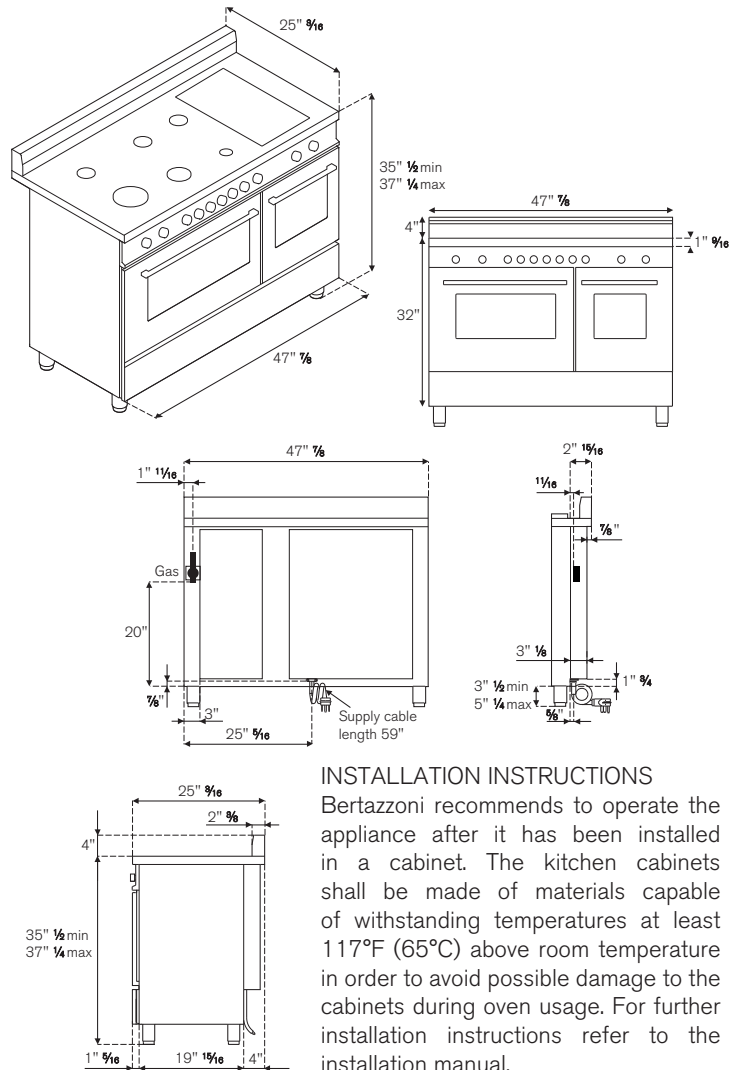
Toe kick panel (TKS 48 X), flat island trim (IRF 48 X), side trim (ST 36 X)

### MATCHING VENTILATION SOLUTIONS

Bertazzoni offers a variety of matching ventilation solutions for this range. Please check our website under the ventilation tab for a complete overview of all choices

### TECHNICAL SPECIFICATIONS

<b>Voltage, frequency</b>	120/208 V - 120/240 V, 60Hz
<b>Max Amp Usage, power rating</b>	32 A - 6700 W, 37 A - 8500 W
<b>Certification</b>	CSA
<b>Warranty</b>	2 years parts and labor



### INSTALLATION INSTRUCTIONS

Bertazzoni recommends to operate the appliance after it has been installed in a cabinet. The kitchen cabinets shall be made of materials capable of withstanding temperatures at least 117°F (65°C) above room temperature in order to avoid possible damage to the cabinets during oven usage. For further installation instructions refer to the installation manual.

**Disclaimer:** while every effort has been made to insure the accuracy of the information contained in this brochure, Fratelli Bertazzoni reserves the right to change any part of the information at any time without notice.

Fratelli Bertazzoni, Bertazzoni and the winged wheel brand icon are registered trademarks of Bertazzoni Spa.