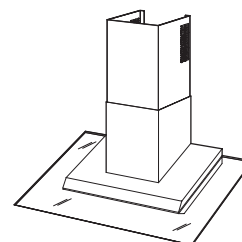


# WC26I SERIES RANGE HOODS



**Aggressive, wedge-like design - directs heat and moisture to the blower for exceptional capture.**

### FEATURES

- Italian design
- Wall mount
- Finish: 304 Stainless Steel #4 Brushed
- Widths: 36", 42", 48"
- Ducted/non-ducted telescopic flue accommodates 8' to 9' ceilings
- 6" round duct connector/backdraft damper
- Halogen lighting (2 x 20 watt, Type JC 12V 20W G4 Base - bulbs included) with multilevels from bright cooktop illumination to a low nighttime setting
- Advanced, electronic push-button controls feature delay shutoff
- Quiet, 4-speed centrifugal blower with high-efficiency motor produces 480 cfm of exhaust
- Delay timer control automatically shuts off range hood after ten minutes
- Special control indicates when it's time to clean the filter
- Can be ducted to the outside or non-ducted for indoor recirculation (purchase recirculation kit separately)
- Dishwasher-safe filter features a quick-release latch and decorative cover plate
- Heat Sentry™ - automatically turns blower to high speed when excess cooking heat is detected
- Light sensor automatically activates glass light
- For indoor use only

### OPTIONS

- Replacement grease filters available (Part No. SB08087295)
- Non-ducted recirculation kit (Model ANKWC26)
- Flue extensions for 10' ceilings (Model AEWC26 series) available as ducted or non-ducted, stainless steel (36-7/8" long)
- Replacement charcoal filters available (Model FILTERSQUARE)
- Exterior blower version (WC26E Series) available, providing 600, 900, 1200, or 1500 cfm exhaust

### SPECIFICATIONS

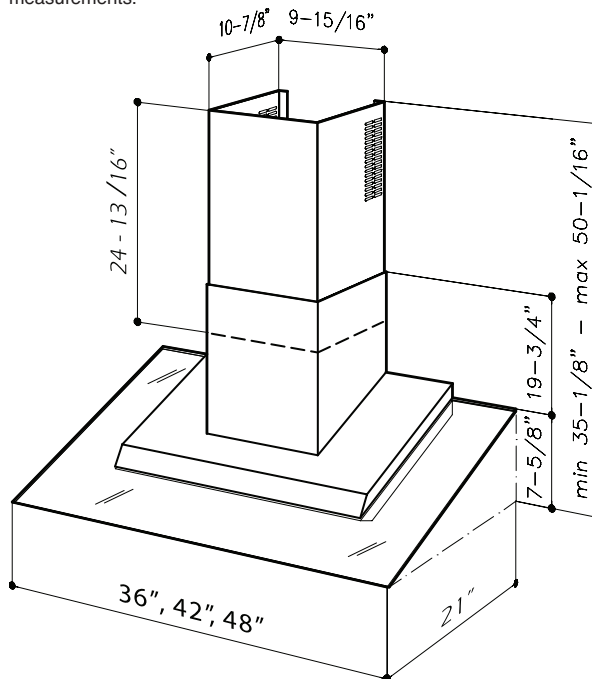
VOLTS	AMPS	CFM	SONES	DUCT
120	3.13	480 (high speed) 130 (low speed)	9.5 1.0	6" round



HVI-2100 CERTIFIED RATINGS comply with new testing technologies and procedures prescribed by the Home Ventilating Institute, for off-the-shelf products, as they are available to consumers. Product performance is rated



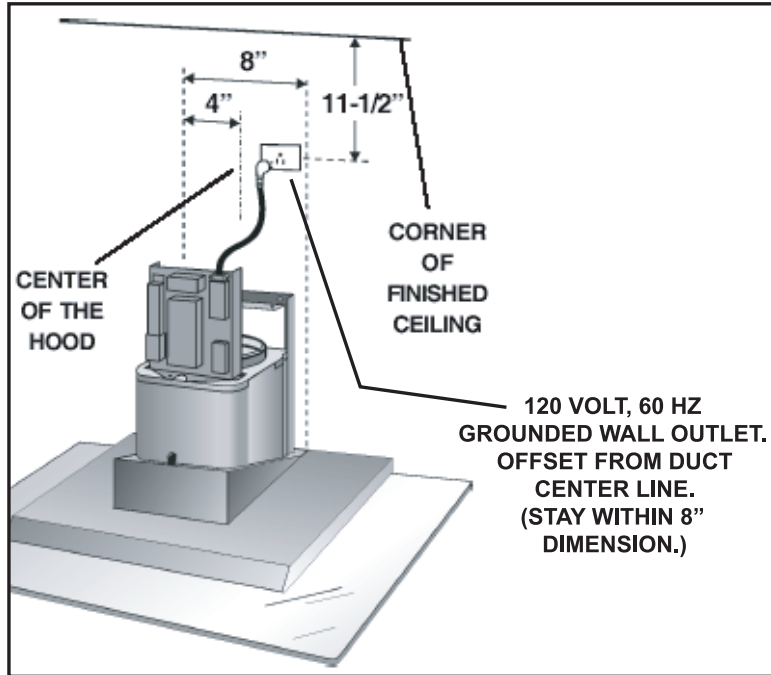
at 0.1 in. static pressure, based on tests conducted in a state-of-the-art test laboratory. Sones are a measure of humanly-perceived loudness, based on laboratory measurements.



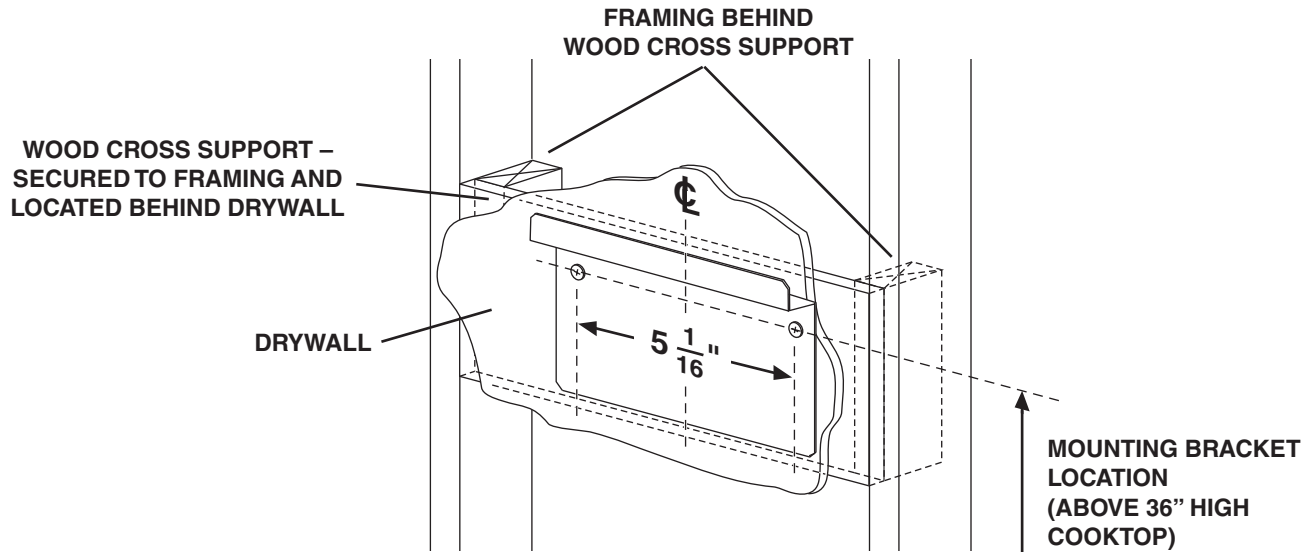
BEST Hartford, Wisconsin [www.BestRangeHoods.com](http://www.BestRangeHoods.com) 800-558-1711  
 BEST Drummondville, QC Canada [www.BestRangeHoods.com](http://www.BestRangeHoods.com) 866-737-7770

REFERENCE	QTY.	REMARKS	Project
			Location
			Architect
			Engineer
			Contractor
			Submitted by
			Date

# WC26I SERIES WIRING



# WC26I SERIES MOUNTING



CEILING HEIGHT	MOUNTING DISTANCE ABOVE 36" HIGH COOKTOP (see note A)							
	22"	23"	24"	25"	26"	27"	28"	
	MOUNTING BRACKET LOCATION ABOVE 36" HIGH COOK TOP							
8 FEET	41-1/4"	42-1/4"	43-1/4"	44-1/4"				
9 FEET	41-1/4"	42-1/4"	43-1/4"	44-1/4"	45-1/4"	46-1/4"	47-1/4"	
10 FEET (see note B)	41-1/4"	42-1/4"	43-1/4"	44-1/4"	45-1/4"	46-1/4"	47-1/4"	

A. Minimum hood distance above cooktop must not be less than 22". A maximum of 28" above the cooktop is highly recommended for best capture of cooking impurities. Distances over 28" above the cooktop are at the installer's and user's discretion - providing that ceiling height and flue length permit.

B. Requires optional 10-ft. flue extension - ducted Model AEWC26SB or non-ducted Model AEWC26SBN.

