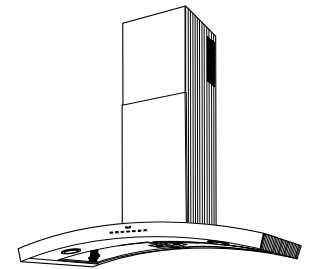


DUNE WC35E SERIES RANGE HOOD



Imagine the softly shaped landscape of rolling hills or desert. DUNE found its inspiration from these simple clean shapes. With a shape that, by nature, provides good function - the reflective control is like touching water, controlling the hood magically.

FEATURES

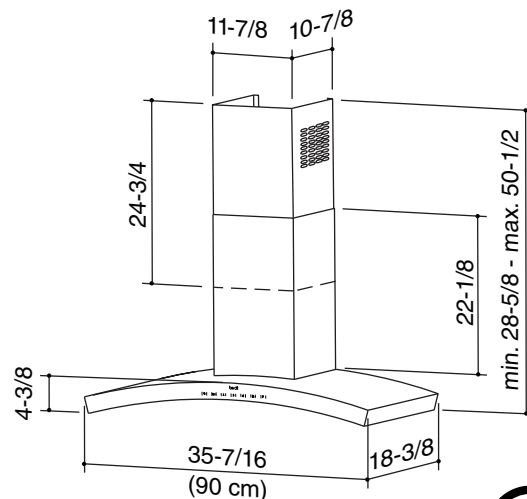
- Italian design
- Wall mount
- Finishes: 430 Stainless Steel, #4 Brushed
- Width: 90 cm (35-7/16-in.)
- Telescopic flue accommodates 8' to 9' ceilings
- 8" round duct connector/backdraft damper
- 1-level LED lighting (2 LED modules, 6 Watts max.)
- 4-speed, electronic control, capacitive glass touch
- Use with exterior-mounted or attic-installed remote blowers for different levels of exhaust capacity (see specifications - blower purchased separately)
- Heat Sentry™ - automatically turns blower to high speed when excess cooking heat is detected
- Delay timer control automatically shuts off range hood after 10 minutes
- Special control indicates when it's time to clean the filter
- Dishwasher-safe filter features a quick-release latch
- For indoor use only

OPTIONS (Not included with hood. Purchase separately.)

- 8-in. to 10-in. transition (Model 414)
- Flue extension for 10-ft. to 11-ft. ceilings (Model AEWC345IQSB), stainless steel

SPECIFICATIONS

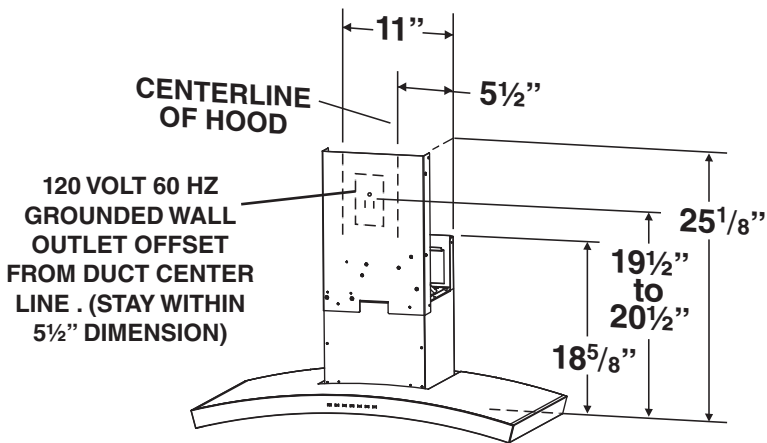
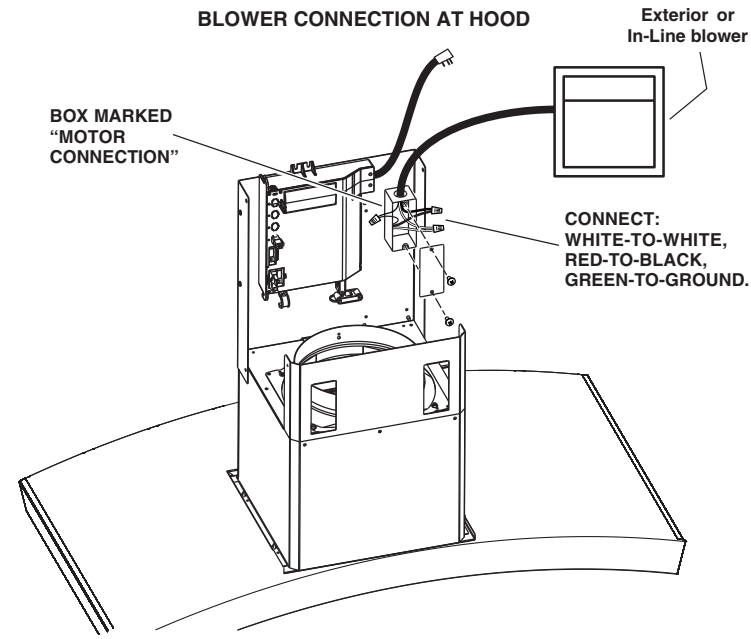
| WITH OPTIONAL BLOWER MODELS | | BLOWER CFM | VOLTS | AMPS | DUCT |
|-----------------------------|-------------------------------------|------------|-------|---|---|
| EB6 | wall or roof mount exterior blowers | 600 max. | 120 | 0.40 (lights only) + 6.0 max. (blower only) | 8-in. round at the hood. See blower specs for duct requirements. |
| EB9 | | 900 max. | | | |
| EB12 | | 1200 max. | | | |
| EB15 | | 1500 max. | | | |
| ILB3 | inline blowers | 280 max. | | | |
| ILB6 | | 600 max. | | | |
| ILB9 | | 800 max. | | | |
| ILB11 | | 1100 max. | | | |



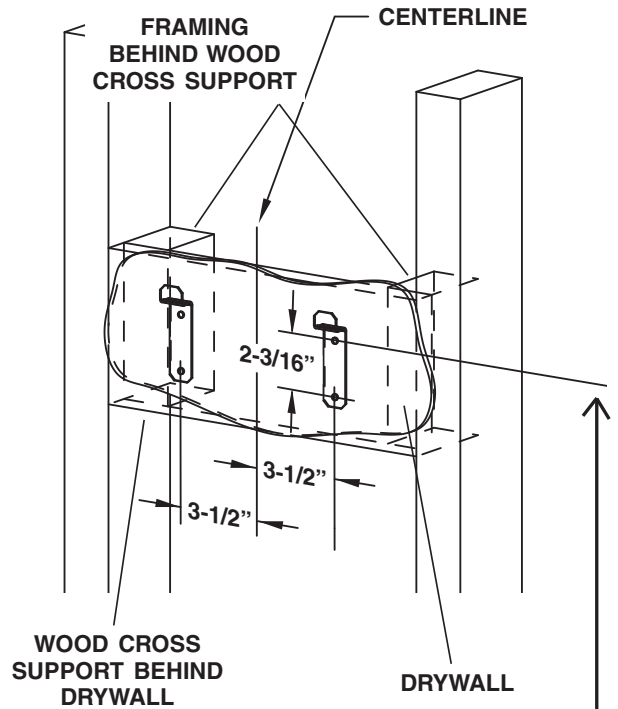
BEST Hartford, Wisconsin www.BestRangeHoods.com 800-558-1711
 BEST Drummondville, QC, Canada www.BestRangeHoods.com 866-737-7770

| REFERENCE | QTY. | REMARKS | Project |
|-----------|------|---------|--|
| | | | Location |
| | | | Architect |
| | | | Engineer |
| | | | Contractor |
| | | | Submitted by Date |

WC35E SERIES WIRING



WC35E SERIES MOUNTING



| CEILING HEIGHT | DUCT METHOD | HOOD DISTANCE ABOVE 36" HIGH COOK TOP (see note below) | | | | | | |
|-----------------------|-------------|--|-----|-----|-----|-----|-----|-----|
| | | 24" | 25" | 26" | 27" | 28" | 29" | 30" |
| 8 FEET | DUCTED | 40" | 41" | 42" | 43" | 44" | 45" | 46" |
| 9 FEET | DUCTED | 40" | 41" | 42" | 43" | 44" | 45" | 46" |
| 10 FEET (see note b.) | | 40" | 41" | 42" | 43" | 44" | 45" | 46" |
| 11 FEET (see note b.) | | --- | --- | 42" | 43" | 44" | 45" | 46" |

- Minimum hood distance above cook top must not be less than 24". A maximum of 30" above cook top is highly recommended for best capture of cooking impurities. Distances over 30" are at the installer and user's discretion; and if ceiling height and flue length permit.
- Requires optional 10-ft. to 11-ft. flue extension, ducted model AEWC345IQSB.