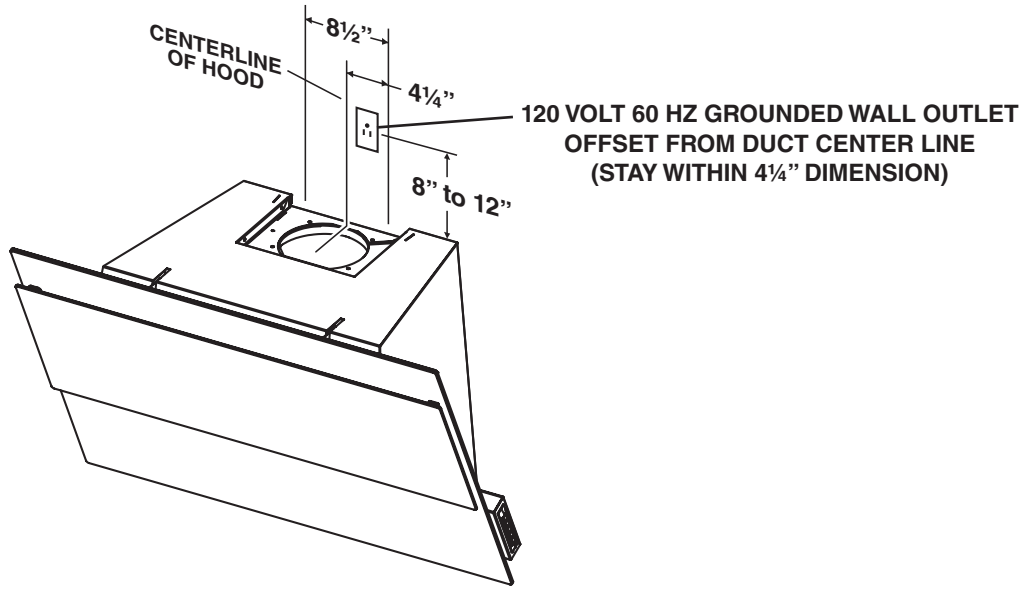
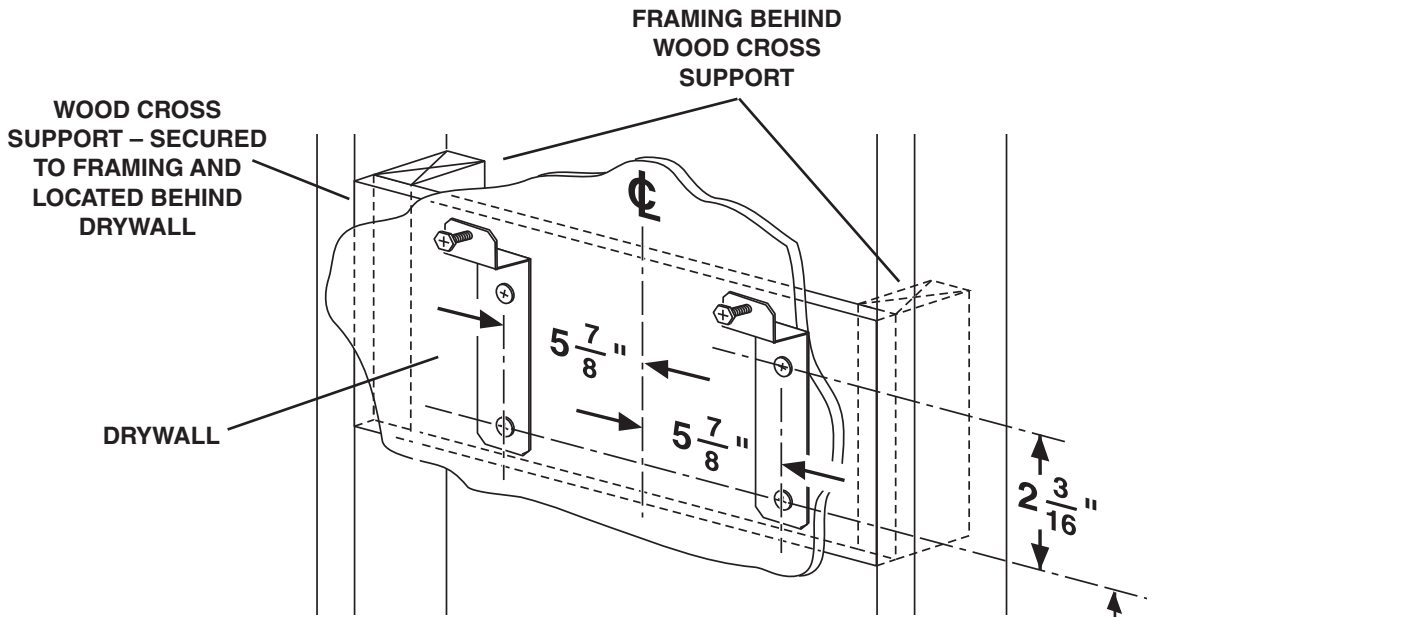


WM34I80SB WIRING



WM34I80SB MOUNTING



CEILING HEIGHT	DUCT METHOD	HOOD DISTANCE ABOVE 36" HIGH COOK TOP (see note below)										
		20"	21"	22"	23"	24"	25"	26"	27"	28"	29"	30"
		MOUNTING BRACKET LOCATION ABOVE 36" HIGH COOK TOP										
8 FEET	DUCTED	34-1/2"	35-1/2"	36-1/2"	37-1/2"							
	NON-DUCTED	34-1/2"	35-1/2"									
9 FEET	DUCTED					38-1/2"	39-1/2"	40-1/2"	41-1/2"	42-1/2"	43-1/2"	44-1/2"
	NON-DUCTED		35-1/2"	36-1/2"	37-1/2"	38-1/2"	39-1/2"	40-1/2"	41-1/2"	42-1/2"	43-1/2"	44-1/2"

MOUNTING BRACKET LOCATION (ABOVE 36" HIGH COOKTOP)

Note : Minimum hood distance above cook top must not be less than 20". A maximum of 30" above cook top is highly recommended for best capture of cooking impurities. Distances over 30" are at the installer and user's discretion; and if ceiling height and flue length permit.

