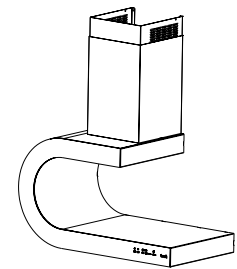


INTRIGUE WM45I80SB RANGE HOOD



INTRIGUE is certainly a statement piece. It also allows your imagination to participate. You can choose to use the stainless flue cover as is or ... paint it to match the surroundings and make the design pop. Sopresa! You have just changed not only the shape, but the silhouette, the lines and the image of your kitchen.

FEATURES

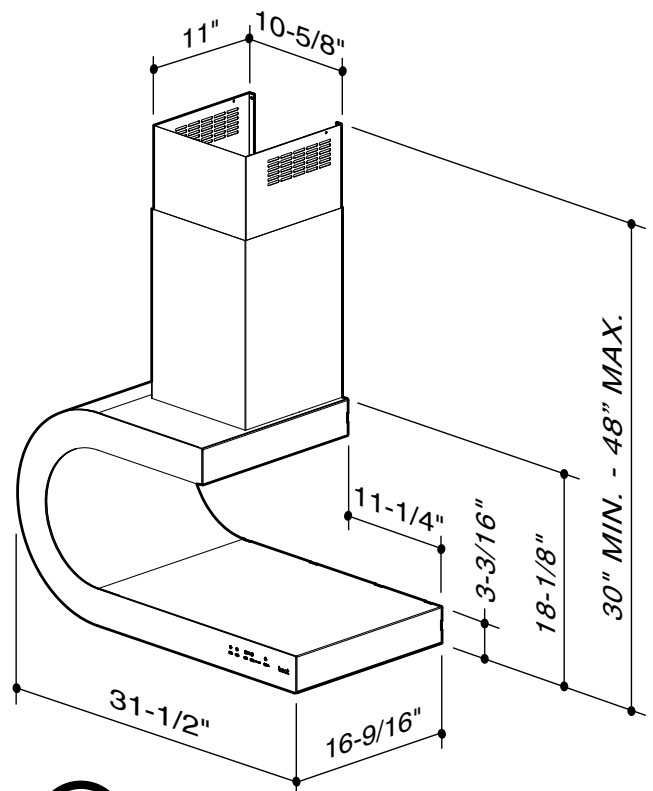
- Italian design
- Wall mount
- Finishes: 430 Stainless Steel, #4 Brushed
- Width: 80 cm (31-1/2")
- Ducted/non-ducted telescopic flue accommodates 8' to 9' ceilings (Purchase non-duct recirculation kit separately.)
- 6" round duct connector/backdraft damper
- 2-level, halogen lighting (2 bulbs included. Type T4, G9 base, 120 volt, 25 watts max.)
- 4-speed electronic blower control with LED speed indicator
- Quiet, variable-speed centrifugal blower with high-efficiency motor produces 460 CFM of exhaust
- Heat Sentry™ - automatically turns blower to high speed when excess cooking heat is detected
- Delay timer control automatically shuts off range hood after 10 minutes
- Filter clean reminder
- Dishwasher-safe filter features a quick-release latch
- For indoor use only

OPTIONS

- Non-ducted recirculation kit (Model ANKW45)
- Replacement charcoal filters available (Model AFCWM45)

SPECIFICATIONS

VOLTS	HZ	AMPS	CFM		SONES		DUCT
			MAX.	NORM.	MAX.	NORM.	
120	60	3.12	460	210	8.5	2.5	6" round

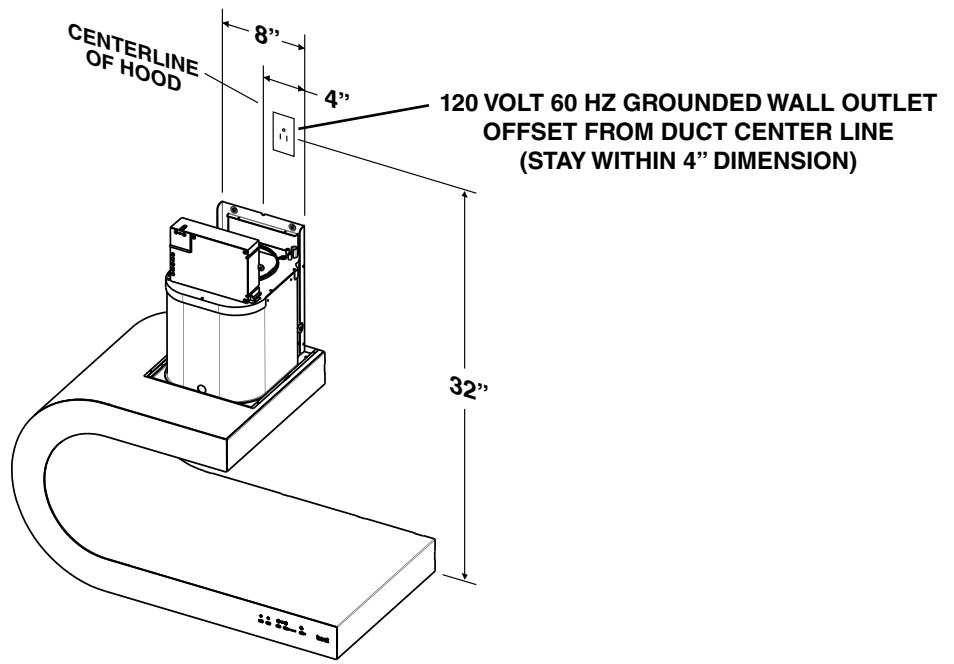


HVI-2100 CERTIFIED RATINGS comply with new testing technologies and procedures prescribed by the Home Ventilating Institute, for off-the-shelf products, as they are available to consumers. Product performance is rated at 0.1 in. static pressure, based on tests conducted in a state-of-the-art test laboratory. Sones are a measure of humanly-perceived loudness, based on laboratory measurements.

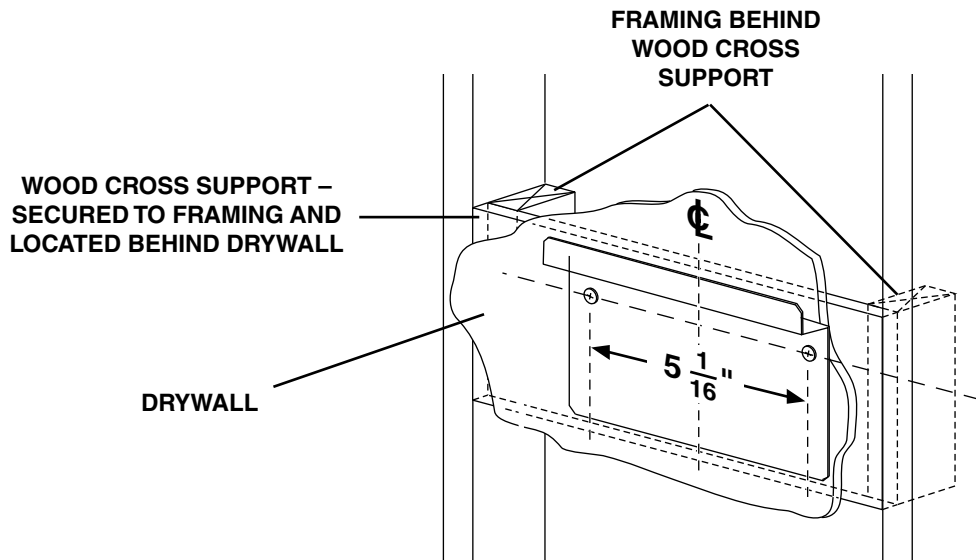
BEST Hartford, Wisconsin www.BestRangeHoods.com 800-558-1711
 BEST Drummondville, QC, Canada www.BestRangeHoods.com 866-737-7770

REFERENCE	QTY.	REMARKS	Project
			Location
			Architect
			Engineer
			Contractor
			Submitted by Date

WM45I80SB WIRING



WM45I80SB MOUNTING



CEILING HEIGHT	DUCT METHOD	Hood distance between 36" high cook top & bottom of hood
8 FEET	DUCTED OR NON-DUCTED	22" only
9 FEET	DUCTED OR NON-DUCTED	24" to 30"

Note : Minimum hood distance above cook top must not be less than 22". A maximum of 30" above cook top is highly recommended for best capture of cooking impurities. Distances over 30" are at the installer and user's discretion; and if ceiling height and flue length permit.

