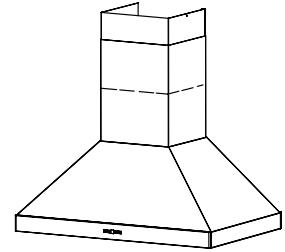


# COLONNE WPP9E SERIES RANGE HOOD



The traditional chimney hood design from Italy has stood the test of time. The Colonne builds on this legacy with a new powerful design that can handle the needs of pro-style cooking.

### FEATURES

- Italian design
- Wall mount
- Finishes: 430 Stainless Steel, #4 Brushed
- Widths: 36", 42", 48", 54"
- Telescopic flue accommodates 8' to 9' ceilings
- 10" round duct connector/backdraft damper
- 2-level halogen lamps, T4, G9, 25 Watt (3 lamps on 36" & 42" widths, 4 lamps on 48" & 54" widths)
- Use with exterior-mounted or in-line remote blowers for different levels of exhaust capacity (see specifications - blower purchased separately)
- Heat Sentry™ - automatically turns blower to high speed when excess cooking heat is detected
- Delay timer control automatically shuts off range hood after 10 minutes
- Special control indicates when it's time to clean the filter
- Dishwasher-safe, mesh lined, Hi-Flow™ baffle filters
- For indoor use only

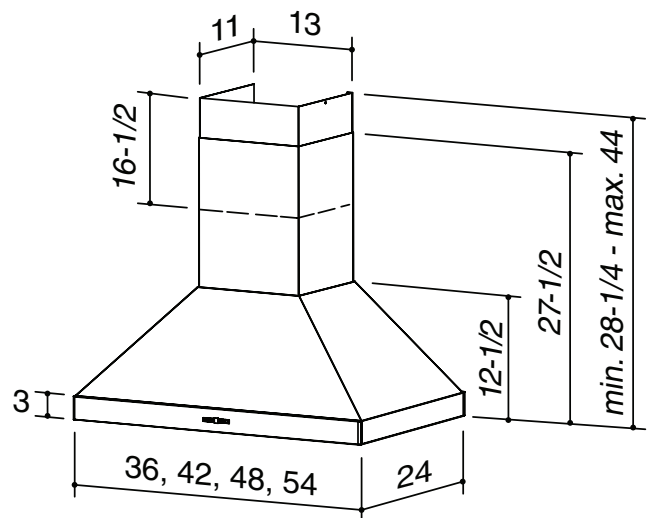
### OPTIONS (Not included with hood. Purchase separately.)

- 8-in. to 10-in. transition (Model 414)
- Flue extension for 10-ft. to 11-ft. ceilings (Model AEWPP9SB, stainless steel)



### SPECIFICATIONS

WITH OPTIONAL BLOWER MODELS		BLOWER CFM	VOLTS	AMPS	DUCT
EB6	wall or roof mount external blowers	600 max.	120	0.63 (36", 42")	10-in. round at the hood.  See blower specs for duct requirements.
EB9		900 max.			
EB12		1200 max.		0.84 (48", 54")	
EB15		1500 max.			
ILB3	inline blowers	280 max.		(lights only) + 6.0 max. (blower only)	
ILB6		600 max.			
ILB9		800 max.			
ILB11		1100 max.			

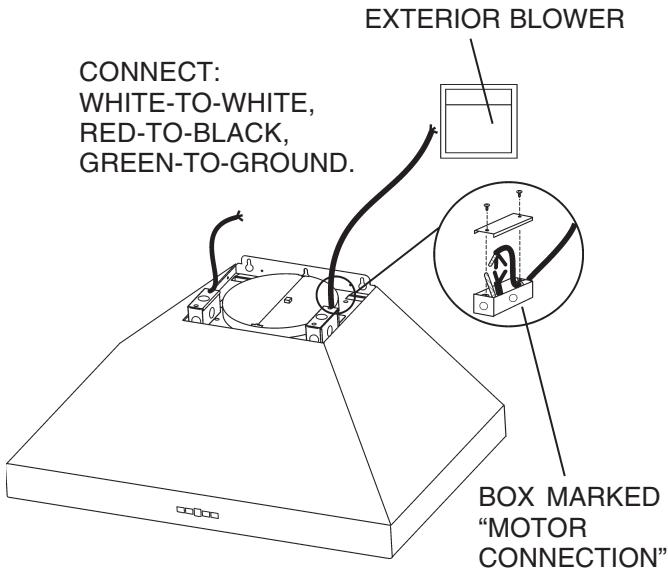


BEST Hartford, Wisconsin [www.BestRangeHoods.com](http://www.BestRangeHoods.com) 800-558-1711  
 BEST Drummondville, QC, Canada [www.BestRangeHoods.com](http://www.BestRangeHoods.com) 866-737-7770

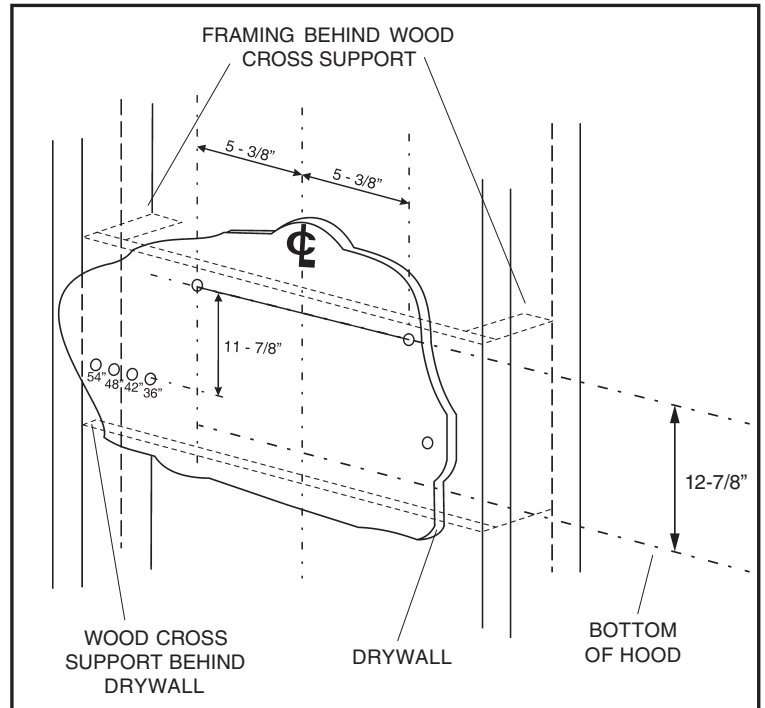
REFERENCE	QTY.	REMARKS	Project
			Location
			Architect
			Engineer
			Contractor
			Submitted by <span style="float: right;">Date</span>

# WPP9E SERIES WIRING

## BLOWER CONNECTION AT HOOD



## WPP9E SERIES MOUNTING



CEILING HEIGHT	DUCT METHOD	DISTANCE ABOVE 36" HIGH COOK TOP - TO BOTTOM OF HOOD (see notes below)													
		24"	25"	26"	27"	28"	29"	30"	31"	32"	33"	34"	35"	36"	
8 FEET	Ducted	X	X	X	X	X	X	X	X	X	---	---	---	---	
	Non-Ducted	X	X	X	X	X	X	---	---	---	---	---	---	---	
9 FEET	Ducted	---	---	---	---	---	X*	X*	X*	X*	X	X	X	X	
	Non-Ducted	---	---	---	---	---	X	X	X	X	X	X	X	X	
10 FEET (see note b.)	Ducted	X	X	X	X	X	X	X	X	X	---	---	---	---	
	Non-Ducted	X	X	X	X	X	X	X	X	X	X	X	---	---	
11 FEET (see note b.)	Ducted	---	---	---	---	---	---	---	---	X	X	X	X	X	
	Non-Ducted	---	---	---	---	---	---	---	---	X	X	X	X	X	

X Mounting height is possible.

X\* Mounting height is possible, but non-duct opening exposed.

--- Mounting height is not possible.

a. Minimum hood distance above cook top must not be less than 24". A maximum of 36" above cook top is highly recommended for best capture of cooking impurities. Distances over 36" are at the installer and user's discretion; and if ceiling height and flue length permit.

b. Requires optional 10-ft. to 11-ft. flue extension, ducted model AEWPP9SB or non-ducted model AEWPP9SBN.