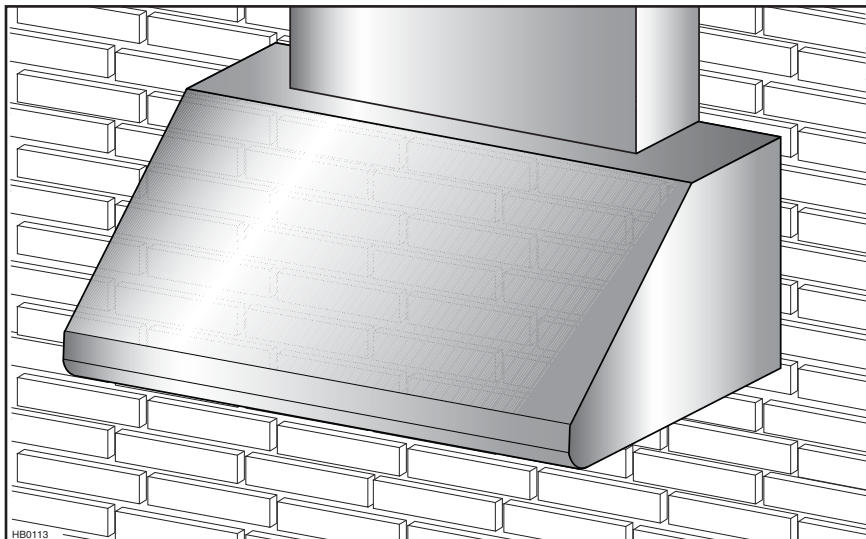


INSTALLATION INSTRUCTIONS

best®



HB0113

WPD38I SERIES

SUITS FOR USE IN DAMP LOCATIONS WHEN INSTALLED IN A
GFCI PROTECTED BRANCH-CIRCUIT.

INTENDED FOR OUTDOOR COVERED PATIO OR LANAI AREA.

⚠ INTENDED FOR DOMESTIC COOKING ONLY ⚠

READ AND SAVE THESE INSTRUCTIONS

INSTALLER: LEAVE THIS MANUAL WITH HOMEOWNER.

HOMEOWNER: USE AND CARE INFORMATION ON PAGES 9 AND 10.

BEST; Hartford, Wisconsin www.BestRangeHoods.com 800-558-1711

BEST; Drummondville, QC, Canada www.BestRangeHoods.com 866-737-7770

To register your product online or for additional information
visit www.BestRangeHoods.com



7 72371 11894 2

SV20569 rev. 03

⚠ WARNING

TO REDUCE THE RISK OF FIRE, ELECTRIC SHOCK OR INJURY TO PERSONS, OBSERVE THE FOLLOWING:

1. Use this unit only in the manner intended by the manufacturer. If you have questions, contact the manufacturer at the address or telephone number listed in the warranty.
2. Before servicing or cleaning unit, switch power off at service panel and lock service disconnecting means to prevent power from being switched on accidentally. When the service disconnecting means cannot be locked, securely fasten a prominent warning device, such as a tag, to the service panel.
3. Installation work and electrical wiring must be done by qualified personnel in accordance with all applicable codes and standards, including fire-rated construction codes and standards.
4. Sufficient air is needed for proper combustion and exhausting of gases through the flue (chimney) of fuel burning equipment to prevent backdrafting. Follow the heating equipment manufacturer's guidelines and safety standards such as those published by the National Fire Protection Association (NFPA) and the American Society for Heating, Refrigeration and Air Conditioning Engineers (ASHRAE) and the local code authorities.
5. When cutting or drilling into wall or ceiling, do not damage electrical wiring and other hidden utilities.
6. Ducted fans must always be vented to the outdoors.
7. Do not use this unit with any additional solid-state speed control device.
8. To reduce the risk of fire, use only metal ductwork.
9. This unit must be grounded and protected by a GFCI.
10. Suitable for use in damp locations only when installed in a GFCI PROTECTED branch-circuit.
11. This unit is not designed to be used with a charcoal grill.
12. When applicable local regulations comprise more restrictive installation and/or certification requirements, the aforementioned requirements prevail on those of this document and the installer agrees to conform to these at his own expenses.

TO REDUCE THE RISK OF A RANGE TOP GREASE FIRE:

- a) Never leave surface units unattended at high settings. Boilovers cause smoking and greasy spillovers that may ignite. Heat oils slowly on low or medium settings.
- b) Always turn hood ON when cooking at high heat or when flambeing food (i.e.: Crêpes Suzette, Cherries Jubilee, Peppercorn Beef Flambé).
- c) Clean ventilating fans frequently. Grease should not be allowed to accumulate on fan, filters or in exhaust ducts.
- d) Use proper pan size. Always use cookware appropriate for the size of the surface element.

⚠ WARNING

TO REDUCE THE RISK OF INJURY TO PERSONS IN THE EVENT OF A RANGE TOP GREASE FIRE, OBSERVE THE FOLLOWING*:

1. SMOTHER FLAMES with a close-fitting lid, cookie sheet or metal tray, then turn off the burner. BE CAREFUL TO PREVENT BURNS. IF THE FLAMES DO NOT GO OUT IMMEDIATELY, EVACUATE AND CALL THE FIRE DEPARTMENT.
2. NEVER PICK UP A FLAMING PAN — You may be burned.
3. DO NOT USE WATER, including wet dishcloths or towels — This could cause a violent steam explosion.
4. Use an extinguisher ONLY if:
 - A. You own a Class ABC extinguisher and you know how to operate it.
 - B. The fire is small and contained in the area where it started.
 - C. The fire department has been called.
 - D. You can fight the fire with your back to an exit.

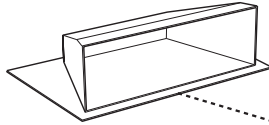
* Based on "Kitchen Fire Safety Tips" published by NFPA.

CAUTION

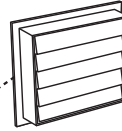
1. For general ventilating use only. Do not use to exhaust hazardous or explosive materials and vapors.
2. To avoid motor bearing damage and noisy and/or unbalanced impellers, keep drywall spray, construction dust, etc. off power unit.
3. Your hood motor has a thermal overload which will automatically shut off the motor if it becomes overheated. The motor will restart when it cools down. If the motor continues to shut off and restart, have the hood serviced.
4. For best capture of cooking impurities, the bottom of the hood must be located at a minimum distance of 36" above cooking surface.
5. Two installers are recommended because of the large size and weight of this hood.
6. To reduce the risk of fire and to properly exhaust air, be sure to duct air outside — Do not exhaust air into spaces within walls or ceiling or into attics, crawl space or garage.
7. This product is equipped with a thermostat which may start blower automatically. To reduce the risk of injury and to prevent power from being switched on accidentally, switch power off at service panel and lock or tag service panel.
8. Please read specification label on product for further information and requirements.

- WPD381 SERIES RANGE HOOD SYSTEM -

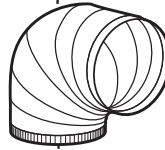
MODEL 437
(HIGH CAPACITY ROOF CAP)



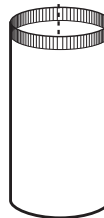
MODEL 441
(10" ROUND WALL CAP)



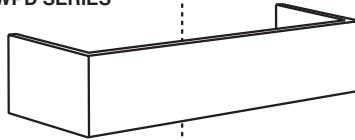
MODEL 418
(10" ROUND
ADJUSTABLE ELBOW,
OPTIONAL)



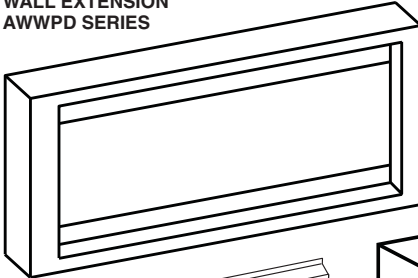
MODEL 410
(10" ROUND DUCT
— 2 FT. SECTIONS)



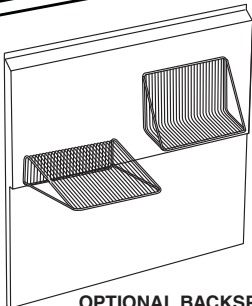
OPTIONAL
DECORATIVE FLUE
AEWPD SERIES



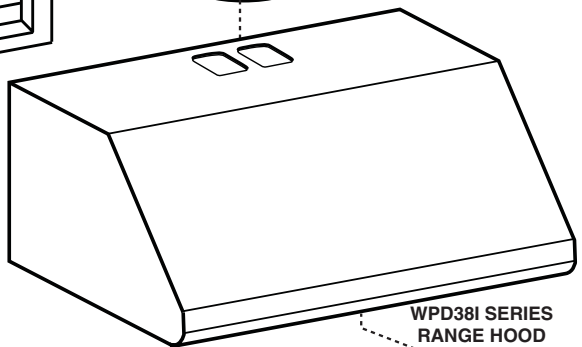
OPTIONAL
WALL EXTENSION
AWWPD SERIES



10" ROUND ADAPTER
(INCLUDED)

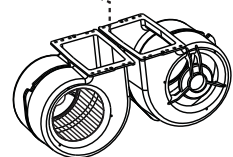


OPTIONAL BACKSPLASH
(ABWPD SERIES)
(STAINLESS STEEL WALL COVERING
WITH WARMING SHELVES)



WPD381 SERIES
RANGE HOOD

DUAL BLOWER
(INCLUDED)



1. INSTALL DUCTWORK AND ELECTRICAL WIRING

CAUTION

This range hood is intended for outdoor covered patio or lanai area. As with all electric appliances, this unit must be protected from the effects of weather.

WARNING

This range hood is not designed for use with a charcoal grill.

Plan where and how the ductwork will be installed.

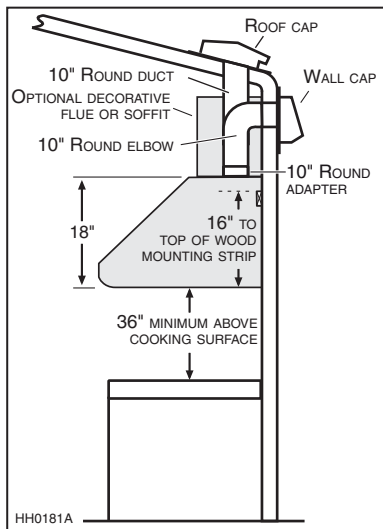
A straight, short duct run will allow the hood to perform most efficiently.

Install proper-sized ductwork, elbows and roof or wall cap. Connect metal ductwork to cap and work back towards the hood location. Use 2" metal foil duct tape to seal duct joints. Run 3-wire power supply cable to installation location.

WARNING

The power cable must be a GFCI protected branch circuit.

For best capture of cooking impurities, the bottom of the hood must be located at a minimum distance of 36" above cooking surface.



2. PREPARE INSTALLATION

WARNING

When performing installation, servicing or cleaning the unit, it is recommended to wear safety glasses and gloves.

NOTE: Before proceeding to the installation, check the contents of the box. If items are missing or damaged, contact the manufacturer.

Make sure that the following items are included:

- Range hood
- Wood strip (attached to back of hood)
- Installation manual
- Accessories including:
 - Baffle filter with handles: 3 for 36" width model, 4 for 48" width model and or 5 for 60" width model
 - Shielded halogen bulbs (120 V, 50 W, MR16 with GU10 base) (2 for 36" width hood, 3 for 48" and 60" width hoods)
 - 10" round adapter (taped inside the hood)
 - Bag of parts: 3 waterproof wire connectors, 2 no. 8 x 5/8" screws, 6 no. 10 x 2" hex head screws, 4 no. 10 x 2" flat head screws, 2 wall anchors, 2 washers 3/16" ID x 3/4" OD
Included in parts bag, but not to be used (please discard): 2 wire clamps LP16-AP, 2 no. 8 x 3/8" zinc-plated screws, 8 no. 8 x 3/8" stainless steel screws, 4 stainless steel 10-32 locknuts, 4 washers 3/16" ID x 3/4" OD

2. PREPARE INSTALLATION (CONT'D)

Parts sold separately:

- ABWPD Series Backsplash, 36" or 48" width (optional)
- AEWPD Series Decorative Flue, to be installed over the hood (optional)
- AWWPD Series Wall Extension, 36", 48 or 60" width (optional)
- Transitions, duct, elbows, dampers, wall and roof caps.

Refer to pages 3 for a complete list of venting options and model numbers.

NOTE: During installation, protect countertop and/or cooktop.

3. INSTALL BACKSPLASH (OPTIONAL)

ABWPD Series (for 36" and 48" widths range hoods only)

Backsplash must be installed before the hood shell because the hood shell covers the backsplash top mounting screws (see instructions packed with backsplash).

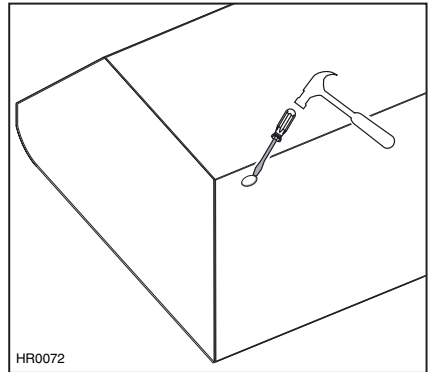
4. INSTALL WALL EXTENSION (OPTIONAL)

AWWPD Series

Wall extension must be installed before the hood (see instructions packed with wall extension).

5. REMOVE KNOCKOUT OPENING

Punch out the electrical knockout hole on the back of the hood. Install the wire clamp (included in parts bag).



6. REMOVE BAFFLE FILTERS AND GREASE DRIP RAIL

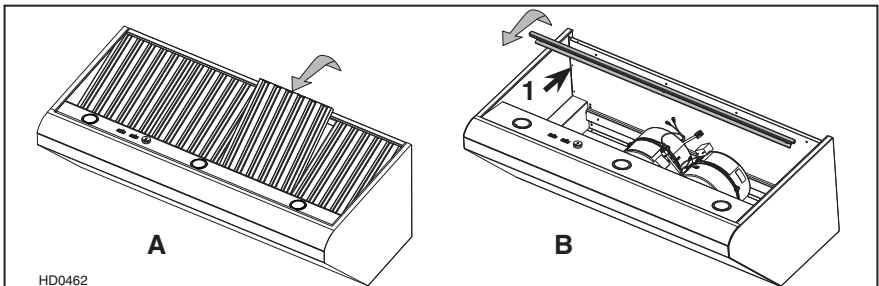
A. Remove tape on filters.

Remove filters from hood and set aside.

NOTE: It is recommended to start with the center one(s).

B. Remove tape on grease drip rail (1).

Lift out grease drip rail and set aside.



7. INSTALL ADAPTER

Remove adapter from inside hood.

Using both no. 8 x 3/8" zinc-plated screws from parts bag, assemble the adapter on the top of the hood.

Seal all joints with metal foil duct tape to eliminate air leaks.



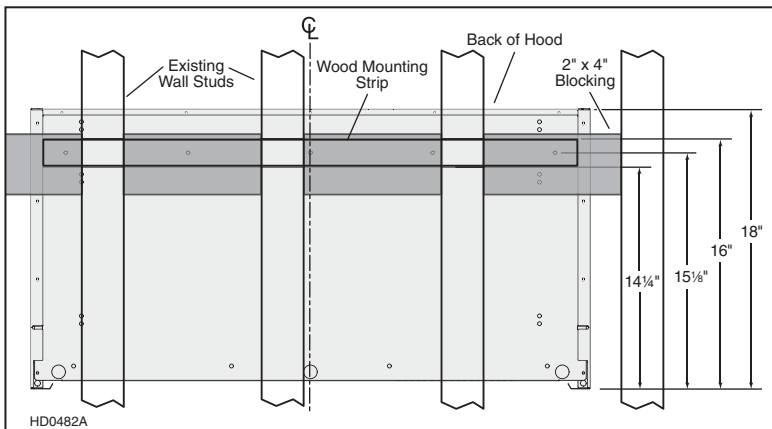
8. INSTALL WOOD MOUNTING STRIP (IF NOT USING WALL EXTENSION)

CAUTION

Due to the weight of this hood, ensure that the wood strip is attached to all of the available studs and blocking; not into the wall alone.

NOTE: If range hood is installed with optional wall extension, refer to the instructions sheet included with the wall extension for wood mounting strip location.

1. Proper structural support is required to accommodate the weight of the hood. Construct the wall framing using minimum 2" x 4" lumber.
2. Mark the center location of the hood.
3. Measure and mark a level line on wall above cooktop location for the wood mounting strip (see illustration on page 4). Install 2" x 4" blockings between wall studs where mounting strip will be installed. Refer to illustration below.
4. Remove wood mounting strip from back of hood.
5. Position the wood mounting strip on the wall and secure to the wall studs and blockings using 4 no. 10 x 2" flat head screws (included in parts bag).

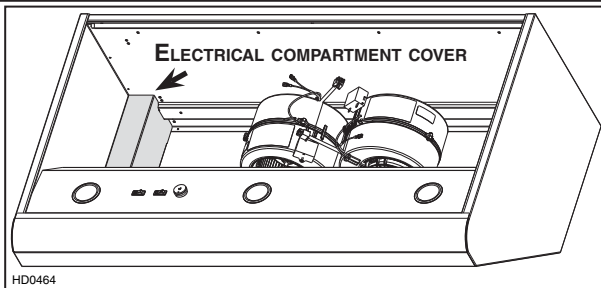


9. INSTALL HOOD

CAUTION

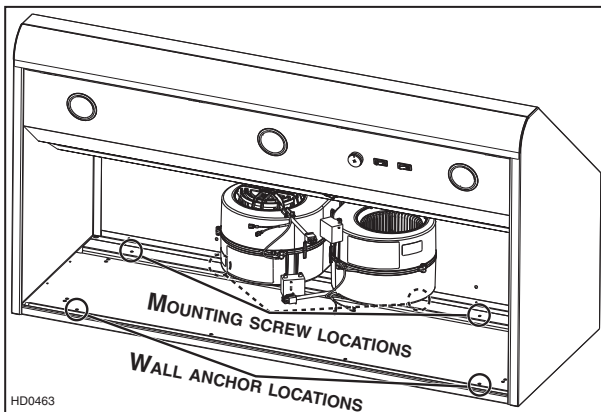
- Although not recommended, if blowers need to be removed, reinstall them using 10-32 locknuts included in parts bag (maximum torque of 20 lb.).
- Hold the hood until it is completely secured to the wood mounting strip.

Remove the electrical compartment cover. Insert the house wiring in the hood and tighten the wire clamp to secure the wiring.



Rest the back cavity of the hood on the wood mounting strip.

Attach 10" round duct to adapter. Secure the hood to wood mounting strip using 4 no. 10 x 2" hex head screws (for 36" width hood) or 6 screws (for 48" and 60" width hoods) at locations shown at right. Drill two 3/16" diameter holes into the wall for wall anchors through the existing holes in the lower back of the hood at locations shown at right. Then, install both wall anchors with both no. 8 x 5/8" screws and both washers provided.



10. INSTALL DECORATIVE FLUE (OPTIONAL)

AEWPD Series

Refer to the instructions included with the optional decorative flue.

11. CONNECT WIRING

⚠ WARNING

Risk of electric shock. Electrical wiring must be done by qualified personnel in accordance with all applicable codes and standards. Before connecting wires, switch power off at service panel and lock service disconnecting means to prevent power to be switched on accidentally.

WATERPROOF WIRE CONNECTORS INSTRUCTIONS:

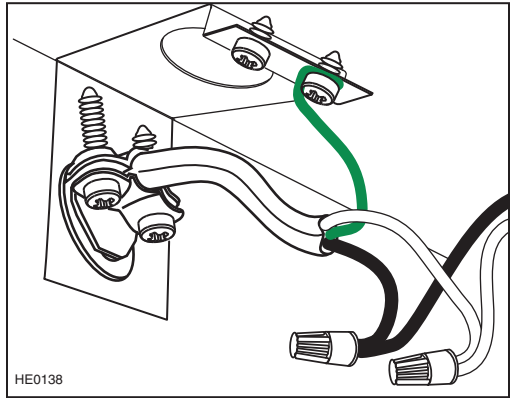
1. Strip wires 3/8".
2. Align frayed strands or conductors.
3. Do not pre-twist. Place stripped wires together with ends even, but lead smaller stranded wires slightly ahead of larger solid or stranded wire.
4. Twist connector onto wires pushing firmly until hand-tight. DO NOT over torque.
5. When inserting wires into connectors, some sealant may leak out. Wipe off excess sealant in and around conductors. DO NOT REUSE.

11. CONNECT WIRING (CONT'D)

Connect cable into electrical compartment using provided waterproof wire connectors.

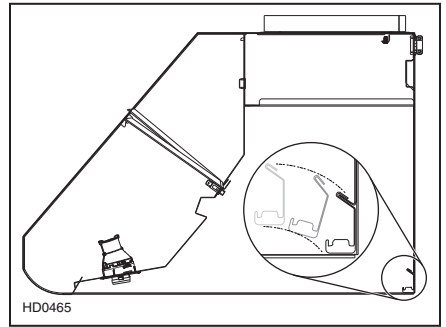
Connect BLACK to BLACK, WHITE to WHITE and GREEN or bare wire under GREEN ground screw.

Reinstall electrical compartment cover.



12. REINSTALL GREASE DRIP RAIL AND BAFFLE FILTERS

Reinstall grease drip rail. The illustration at right shows how to reinsert the grease drip rail into the range hood.

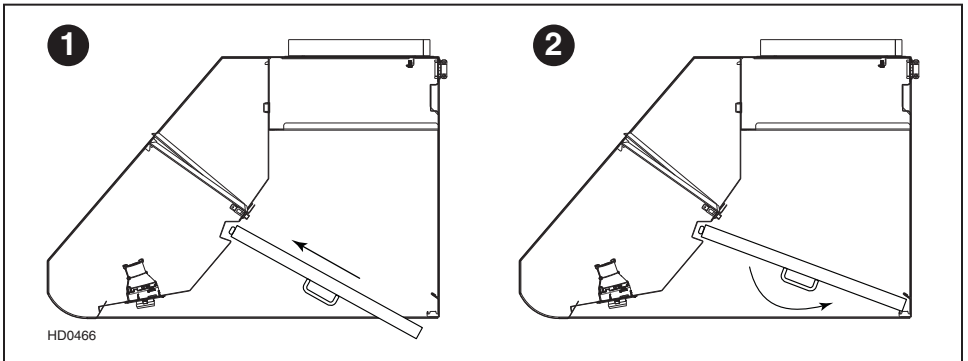


CAUTION

Remove protective plastic film covering filters before installing them.

It is recommended to install side filters first and finish with center one(s).

- 1 Insert front end of the filter into the upper channel of the hood.
- 2 Raise the other end toward the inside of hood and insert in the grease drip rail of the hood.



13. LIGHT BULBS REPLACEMENT

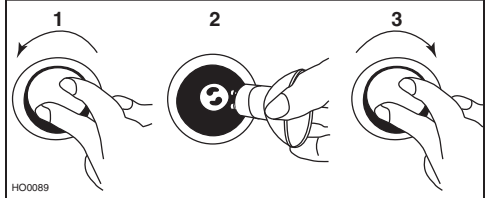
This range hood requires shielded halogen bulbs (120 V, 50 W, MR16 with GU10 base) included (2 for 36" width hood, 3 for 48" and 60" width hoods).

WARNING

Do not touch lamps during or soon after operation. Burns may occur. In order to prevent the risk of personal injury, only install shielded halogen lamps. Also, never install a cool beam, a dichroic lamp, a lamp not suitable for use in recessed luminaires or identified for use in enclosed fixtures.

1. To remove bulbs, gently push upwards and turn counterclockwise to disengage bulb leads from their grooves.

NOTE: To ease removal of the bulbs, use a rubber dishwashing glove or use suction cup tool available from Best. Contact Best Technical Support at 1-800-558-1711 to order suction cup tool, part no. 99526707.



2. Install the new bulbs by placing the bulb leads into their grooves in the socket.
3. Gently push upwards and turn clockwise until secure.

14. CARE

Baffle Filters

The baffle filters should be cleaned frequently. Use a warm detergent solution. Wash more often if your cooking style generates greater grease like frying foods or wok cooking.

Remove baffle filters by pushing them towards the front of the hood and rotating filters downward.

Baffle filters are dishwasher safe. Allow filters to dry completely before reinstalling them in the hood.

Clean all-metal filters in the dishwasher using a non-phosphate detergent. Discoloration of the filter may occur if using phosphate detergent or as a result of local water conditions—but this will not affect filter performance. This discoloration is not covered by the warranty.

Grease Drip Rail

The grease drip rail should be cleaned frequently. Lift it out from the hood and use a warm detergent solution. As for the baffle filters, wash more often if your cooking style generates greater grease like frying foods or wok cooking. Allow grease drip rail to dry completely before reinstalling it in the hood.

Blower Cleaning

Remove the filters in order to access the blowers. Vacuum blowers to clean. Do not immerse in water.

Hood cleaning

Stainless steel cleaning:

Do:

- Regularly wash with clean cloth or rag soaked with warm water and mild soap or liquid dish detergent.
- Always clean in the direction of original polish lines.
- Always rinse well with clear water (2 or 3 times) after cleaning. Wipe dry completely.
- You may also use a specialized household stainless steel cleaner.

Don't:

- Use any steel or stainless steel wool or any other scrapers to remove stubborn dirt.
- Use any harsh or abrasive cleansers.
- Allow dirt to accumulate.
- Let plaster dust or any other construction residues reach the hood. During construction/renovation, cover the hood to make sure no dust sticks to stainless steel surface.

14. CARE (CONT'D)

Avoid when choosing a detergent:

- Any cleaners that contain **bleach** will attack stainless steel.
- Any products containing: **chloride, fluoride, iodide, bromide** will deteriorate surfaces rapidly.
- Any combustible products used for cleaning such as **acetone, alcohol, ether, benzol**, etc., are highly explosive and should never be used close to a range.

15. OPERATION

BLOWER

The blower is operated using 2 controls.

Use the on/off rocker switch (2) to start and stop the blower. When turned ON, the switch turns red and the blower operates at the speed set by the speed control knob (1).

Turn the speed control knob clockwise to increase blower speed – counterclockwise to decrease speed.

COOKTOP LIGHTING (HALOGEN)

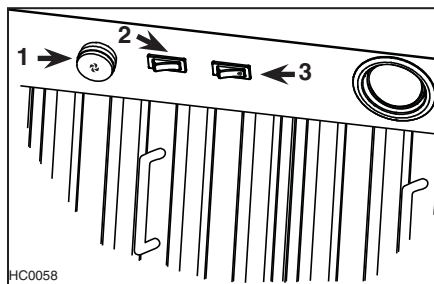
Use the on/off rocker switch (3) to turn the halogen lights ON or OFF.

HEAT SENTRY™

This hood is equipped with a Heat Sentry thermostat.

This thermostat is a device that will turn on the blower if it senses excessive heat above the cooking surface.

- 1) If blower is OFF - it turns blower ON to the last selected speed.
- 2) If blower is already ON speed will remain the same.



1) BLOWER SPEED CONTROL KNOB

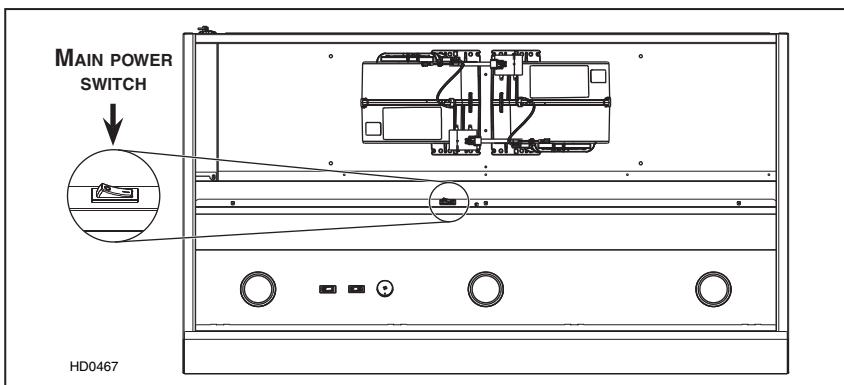
2) ON/OFF BLOWER SWITCH

3) HALOGEN LIGHT SWITCH

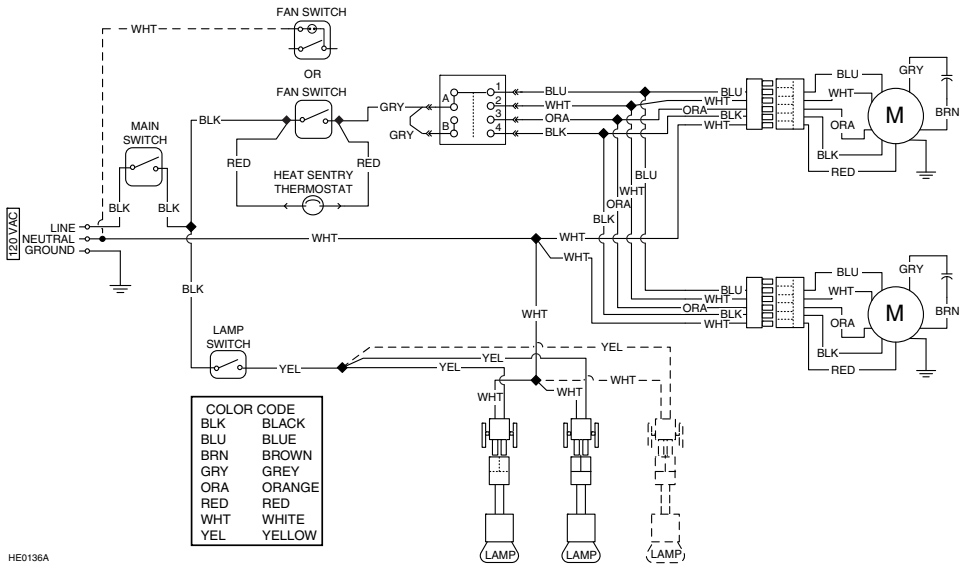
⚠ WARNING

The HEAT SENTRY can start the blower during a range top fire or other excessive heat situations even if the hood is turned off. In this case, it is impossible to turn the blower OFF using control panel switch. To stop the blower, set the main power switch located behind the baffle filters in OFF position, if it is possible to do safely.

When the temperature level drops to normal, the blower will return to its original setting.



16. WIRING DIAGRAM



17. WARRANTY

ONE-YEAR LIMITED WARRANTY FOR BEST PRODUCTS

Broan-NuTone LLC (Broan-NuTone) warrants to the original consumer purchaser of Best products that such products will be free from defects in materials or workmanship for a period of one year from the date of original purchase. THERE ARE NO OTHER WARRANTIES, EXPRESS OR IMPLIED, INCLUDING, BUT NOT LIMITED TO, IMPLIED WARRANTIES OR MERCHANTABILITY OR FITNESS FOR A PARTICULAR PURPOSE.

During this one-year period, Broan-NuTone will, at its option, repair or replace, without charge, any product or part which is found to be defective under normal use and service.

THIS WARRANTY DOES NOT EXTEND TO FLUORESCENT LAMP STARTERS, TUBES, HALOGEN AND INCANDESCENT BULBS, FUSES, FILTERS, DUCTS, ROOF CAPS, WALL CAPS AND OTHER ACCESSORIES FOR DUCTING. This warranty does not cover (a) normal maintenance and service or (b) any products or parts which have been subject to misuse, negligence, accident, improper maintenance or repair (other than by Broan-NuTone), faulty installation or installation contrary to recommended installation instructions.

The duration of any implied warranty is limited to the one-year period as specified for the express warranty. Some states or provinces do not allow limitation on how long an implied warranty lasts, so the above limitation may not apply to you.

BROAN-NUTONE'S OBLIGATION TO REPAIR OR REPLACE, AT BROAN-NUTONE'S OPTION, SHALL BE THE PURCHASER'S SOLE AND EXCLUSIVE REMEDY UNDER THIS WARRANTY. BROAN-NUTONE SHALL NOT BE LIABLE FOR INCIDENTAL, CONSEQUENTIAL OR SPECIAL DAMAGES ARISING OUT OF OR IN CONNECTION WITH PRODUCT USE OR PERFORMANCE. Some states or provinces do not allow the exclusion or limitation of incidental or consequential damages, so the above limitation or exclusion may not apply to you.

This warranty gives you specific legal rights, and you may also have other rights, which vary from state to state or province to another. This warranty supersedes all prior warranties.

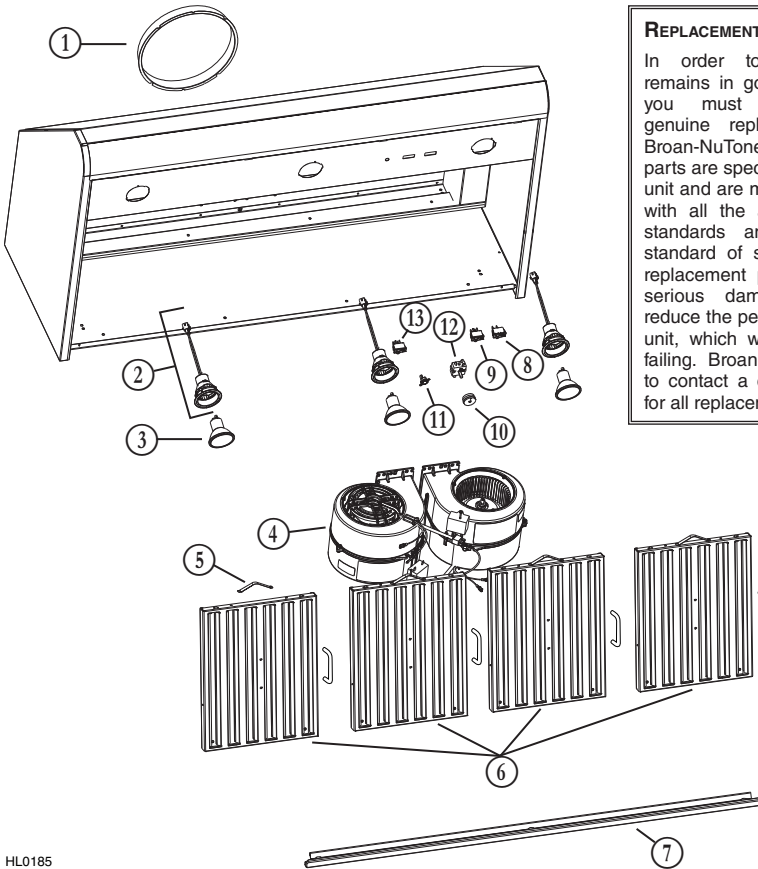
To qualify for warranty service, you must (a) notify Broan-NuTone at the address stated below or telephone number stated below, (b) give the model number and part identification and (c) describe the nature of any defect in the product or part. At the time of requesting warranty service, you must present evidence of the original purchase date.

In USA - Best®, 926 W. State Street, Hartford, WI 53027 (800-558-1711)

In Canada - Best®, 550 Lemire Blvd., Drummondville, QC, Canada, J2C 7W9 (866-737-7770)

www.BestRangeHoods.com

18. SERVICE PARTS



REPLACEMENT PARTS AND REPAIRS

In order to ensure your unit remains in good working condition, you must use Broan-NuTone genuine replacement parts only. Broan-NuTone genuine replacement parts are specially designed for each unit and are manufactured to comply with all the applicable certification standards and maintain a high standard of safety. Any third party replacement part used may cause serious damage and drastically reduce the performance level of your unit, which will result in premature failing. Broan-NuTone recommends to contact a certified service depot for all replacement parts and repairs.

HL0185

KEY NO.	PART NO.	DESCRIPTION	QTY. (RANGE HOOD WIDTH)		
			36"	48"	60"
1	SV08541	10" ROUND ADAPTER	1	1	1
2	SV16569	LIGHT SOCKET AND TRIM ASSEMBLY	2	3	3
3	SV05921	SHIELDED HALOGEN BULB (120 V, 50 W, GU10 BASE)	2	3	3
4	SV08582	BLOWER	2	2	2
5	SV08337	FILTER SPRING	3	4	5
6	SV60675	BAFFLE FILTER 11.84" x 15.125" (SPRING AND HANDLE INCLUDED)	3	4	5
7	SV60695	GREASE RAIL 36"	1		
	SV60696	GREASE RAIL 48"		1	
	SV60697	GREASE RAIL 60"			1
8	SV02563	LIGHT ROCKER SWITCH	1	1	1
9	SV03503	BLOWER ROCKER SWITCH	1	1	1
10	SV08549	FAN KNOB	1	1	1
11	SV03435	HEAT SENTRY™ THERMOSTAT	1	1	1
12	SV21722	SPEED CONTROL	1	1	1
13	SV08548	MAIN POWER SWITCH	1	1	1
*	SV05869	BEST LOGO	1	1	1
*	SV20569	INSTALLATION GUIDE	1	1	1
*	SV04216	PARTS BAG: 3 WATERPROOF WIRE CONNECTORS, 2 NO. 8 x 5/8" SCREWS, 6 NO. 10 x 2" HEX. HEAD SCREWS, 4 NO. 10 x 2" FLAT HEAD SCREWS, 2 WALL ANCHORS, 6 WASHERS 3/16" ID x 3/4" OD, 4 STAINLESS STEEL 10-32 LOCKNUTS, 2 WIRE CLAMPS LP16-AP, 2 NO. 8 x 3/8" ZINC-PLATED SCREWS, 8 NO. 8 x 3/8" STAINLESS STEEL SCREWS	1	1	1

* NOT SHOWN.