

Refrigerator

Congélateur/réfrigérateur

Refrigerador

BRFB1800SS

BRFB1800SSIM

BRFB1800WHIM

Bedienungsanleitung
Operating instructions

Blomberg

Please read this manual first!

Dear Customer,

We hope that your product, which has been produced in modern plants and checked under the most meticulous quality control procedures, will provide you an effective service.

For this, we recommend you to carefully read the entire manual of your product before using it and keep it at hand for future references.




This manual

- Will help you use your appliance in a fast and safe way.
- Read the manual before installing and operating your product.
- Follow the instructions, especially those for safety.
- Keep the manual in an easily accessible place as you may need it later.
- Besides, read also the other documents provided with your product.

Please note that this manual may be valid for other models as well.

Symbols and their descriptions

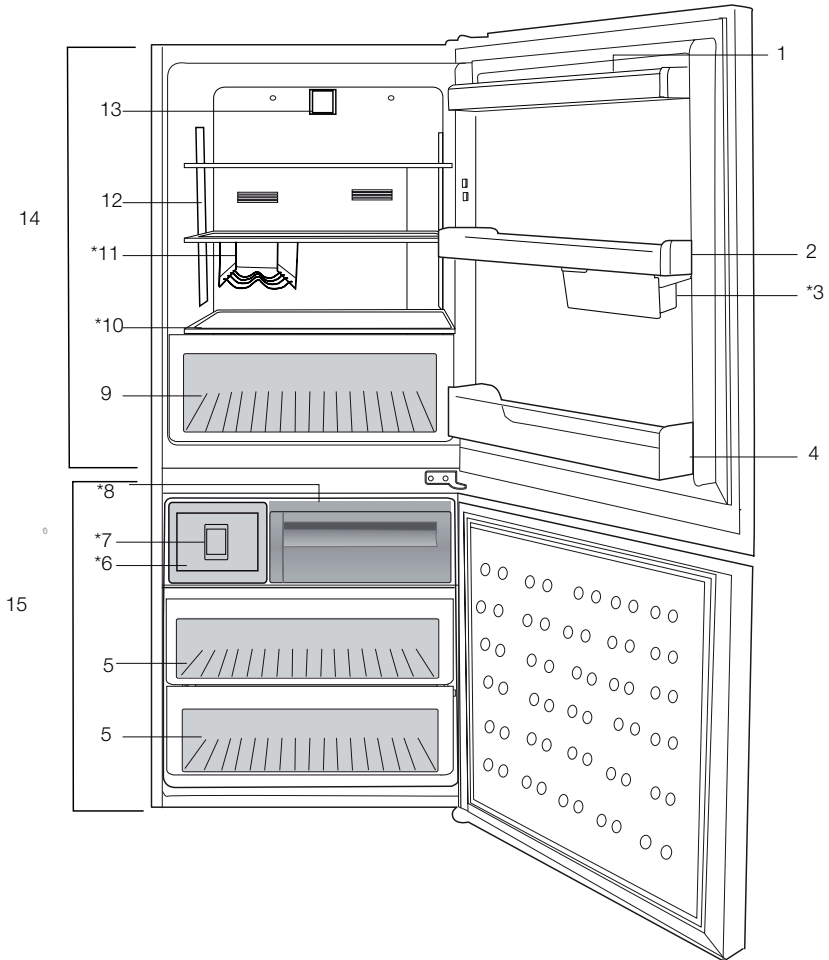
This instruction manual contains the following symbols:

-  Important information or useful tips.
-  Warning against dangerous conditions for life and property.
-  Warning against electric voltage.

CONTENTS

1 Refrigerator	3	4 Preparation	14
2 Important Safety Warnings	4	5 Using your refrigerator	16
Intended use	4	Indicator Panel.....	16
For products with a water dispenser; ..	6	Door Open Warning.....	18
Child safety.....	6	Freezing fresh food	18
Compliance with WEEE Directive and Disposing of the Waste Product:	6	Recommendations for preservation of frozen food	19
Compliance with RoHS Directive:	6	Placing the food	19
Package information.....	7	Egg tray.....	21
HCA Warning	7	Blue light	21
Things to be done for energy saving ..	8	Rotary storage container	21
Recommendations for freshfood compartment.....	8	Icematic and ice storage container ..	22
		(in some models)	22
		Ice Machine	22
		Description and cleaning of odor filter:	23
3 Installation	9	6 Maintenance and cleaning	24
Points to be considered when re- transporting your refrigerator	9	Protection of plastic surfaces	24
Before operating your refrigerator	9		
Electric connection	9	7 Recommended solutions for the problems	25
Changing the door opening direction	10		
Adjusting the legs	10		
Changing the illumination lamp	10		
Disposing of the packaging	10		
Disposing of your old refrigerator	10		
Placing and Installation	10		
Water connection	11		
Connecting the water hose to the refrigerator.....	11		
Connecting of the water hose to the cold water mains line	12		
Water filter	13		
Mounting the external filter onto the wall.....	13		

1 Refrigerator



- | | |
|--|------------------------------|
| 1. Egg holder | 9. Crisper |
| 2. Fridge compartment shelf | 10. Adjustable glass shelves |
| 3. Sliding and Rotary storage containers | 11. Bottle holder |
| 4. Bottle shelf | 12. Illumination lens |
| 5. Freezer compartment drawers | 13. Fan |
| 6. Ice container | 14. Fridge compartment |
| 7. Ice machine | 15. Freezer compartment |
| 8. Drawer | *OPTIONAL |

i Figures that take place in this instruction manual are schematic and may not correspond exactly with your product. If the subject parts are not included in the product you have purchased, then it is valid for other models.

2 Important Safety Warnings

Please review the following information. Failure to observe this information may cause injuries or material damage. Otherwise, all warranty and reliability commitments will become invalid.

The usage life of the unit you purchased is 10 years. This is the period for keeping the spare parts required for the unit to operate as described.

Intended use

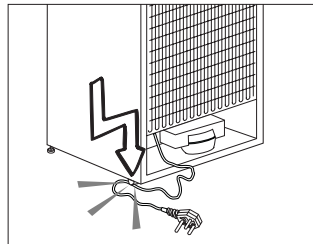
This product is intended to be used

- indoors and in closed areas such as homes;
- in closed working environments such as stores and offices;
- in closed accommodation areas such as farm houses, hotels, pensions.
- This product should not be used outdoors.

General safety

- When you want to dispose/scraper the product, we recommend you to consult the authorized service in order to learn the required information and authorized bodies.
- Consult your authorized service for all your questions and problems related to the refrigerator. Do not intervene or let someone intervene to the refrigerator without notifying the authorized services.
- For products with a freezer compartment; Do not eat cone ice cream and ice cubes immediately after you take them out of the freezer compartment! (This may cause frostbite in your mouth.)
- For products with a freezer compartment; Do not put bottled and canned liquid beverages in the freezer compartment. Otherwise, these may burst.
- Do not touch frozen food by hand; they may stick to your hand.
- Unplug your refrigerator before cleaning or defrosting.
- Vapor and vaporized cleaning materials should never be used in cleaning and defrosting processes of your refrigerator. In such cases, the vapor may get in contact with the electrical parts and cause short circuit or electric shock.
- Never use the parts on your refrigerator such as the door as a means of support or step.
- Do not use electrical devices inside the refrigerator.
- Do not damage the parts, where the refrigerant is circulating, with drilling or cutting tools. The refrigerant that might blow out when the gas channels of the evaporator, pipe extensions or surface coatings are punctured causes skin irritations and eye injuries.
- Do not cover or block the ventilation holes on your refrigerator with any material.
- Electrical devices must be repaired by only authorized persons. Repairs performed by incompetent persons create a risk for the user.
- In case of any failure or during a maintenance or repair work, disconnect your refrigerator's mains supply by either turning off the relevant fuse or unplugging your appliance.

- Do not pull by the cable when pulling off the plug.
- Place the beverage with higher proofs tightly closed and vertically.
- Never store spray cans containing flammable and explosive substances in the refrigerator.
- Do not use mechanical devices or other means to accelerate the defrosting process, other than those recommended by the manufacturer.
- This product is not intended to be used by persons with physical, sensory or mental disorders or unlearned or inexperienced people (including children) unless they are attended by a person who will be responsible for their safety or who will instruct them accordingly for use of the product
- Do not operate a damaged refrigerator. Consult with the service agent if you have any concerns.
- Electrical safety of your refrigerator shall be guaranteed only if the earth system in your house complies with standards.
- Exposing the product to rain, snow, sun and wind is dangerous with respect to electrical safety.
- Contact authorized service when there is a power cable damage to avoid danger.
- Never plug the refrigerator into the wall outlet during installation. Otherwise, risk of death or serious injury may arise.
- This refrigerator is intended for only storing food items. It must not be used for any other purpose.
- Label of technical specifications is located on the left wall inside the refrigerator.
- Never connect your refrigerator to electricity-saving systems; they may damage the refrigerator.
- If there is a blue light on the refrigerator, do not look at the blue light with optical tools.
- For manually controlled refrigerators, wait for at least 5 minutes to start the refrigerator after power failure.
- This operation manual should be handed in to the new owner of the product when it is given to others.
- Avoid causing damage on power cable when transporting the refrigerator. Bending cable may cause fire. Never place heavy objects on power cable. Do not touch the plug with wet hands when plugging the product.



- Do not plug the refrigerator if the wall outlet is loose.
- Water should not be sprayed directly on inner or outer parts of the product for safety purposes.
- Do not spray substances containing inflammable gases such as propane gas near the refrigerator to avoid fire and explosion risk.
- Never place containers filled with water on top of the refrigerator, otherwise this may cause electric shock or fire.

- Do not overload your refrigerator with excessive amounts of food. If overloaded, the food items may fall down and hurt you and damage refrigerator when you open the door. Never place objects on top of the refrigerator; otherwise, these objects may fall down when you open or close the refrigerator's door.
- As they require a precise temperature, vaccines, heat-sensitive medicine and scientific materials and etc. should not be kept in the refrigerator.
- If not to be used for a long time, refrigerator should be unplugged. A possible problem in power cable may cause fire.
- The plug's tip should be regularly cleaned; otherwise, it may cause fire.
- The plug's tip should be cleaned regularly with a dry cloth; otherwise, it may cause fire.
- Refrigerator may move if adjustable legs are not properly secured on the floor. Properly securing adjustable legs on the floor can prevent the refrigerator to move.
- When carrying the refrigerator, do not hold it from door handle. Otherwise, it may be snapped.
- When you have to place your product next to another refrigerator or freezer, the distance between devices should be at least 8cm. Otherwise, adjacent side walls may be humidified.

For products with a water dispenser;

Pressure of water mains should be minimum 1 bar. Pressure of water mains should be maximum 8 bars.

- Use only potable water.

Child safety

- If the door has a lock, the key should be kept away from reach of children.
- Children must be supervised to prevent them from tampering with the product.

Compliance with WEEE Directive and Disposing of the Waste Product:

This product complies with EU WEEE Directive (2012/19/EU). This product bears a classification symbol for waste electrical and electronic equipment (WEEE). This product has been manufactured with



high quality parts and materials which can be reused and are suitable for recycling. Do not dispose of the waste product with normal domestic and other wastes at the end of its service life. Take it to the collection center for the recycling of electrical and electronic equipment. Please consult your local authorities to learn about these collection centers.

Compliance with RoHS Directive:

The product you have purchased complies with EU RoHS Directive (2011/65/EU). It does not contain harmful and prohibited materials specified in the Directive.

Package information

Packaging materials of the product are manufactured from recyclable materials in accordance with our National Environment Regulations. Do not dispose of the packaging materials together with the domestic or other wastes. Take them to the packaging material collection points designated by the local authorities.

⚠ DANGER: Risk of child entrapment.

Before you throw away your old refrigerator or freezer:

- Take off the doors.
- Leave the shelves in place so that children may not easily climb inside.

HCA Warning

If your product's cooling system contains R600a:

This gas is flammable. Therefore, pay attention to not damaging the cooling system and piping during usage and transportation. In the event of damage, keep your product away from potential fire sources that can cause the product catch a fire and ventilate the room in which the unit is placed.

⚠ DANGER – Risk Of Fire or Explosion. Flammable Refrigerant Used. Do Not Use Mechanical Devices To Defrost Refrigerator. Do Not Puncture Refrigerant Tubing”.

⚠ DANGER – Risk Of Fire Or Explosion. Flammable Refrigerant Used. To Be Repaired Only By Trained Service Personnel. Do Not Puncture Refrigerant Tubing”.

⚠ CAUTION – Risk Of Fire Or Explosion. Flammable Refrigerant Used. Consult Repair Manual/Owner's Guide Before Attempting To Service This Product. All Safety Precautions Must be Followed.

⚠ CAUTION – Risk Of Fire Or Explosion. Dispose Of Properly In Accordance With Federal Or Local Regulations. Flammable Refrigerant Used.

⚠ CAUTION– Risk Of Fire Or Explosion Due To Puncture Of Refrigerant Tubing; Follow Handling Instructions Carefully. Flammable Refrigerant Used”.

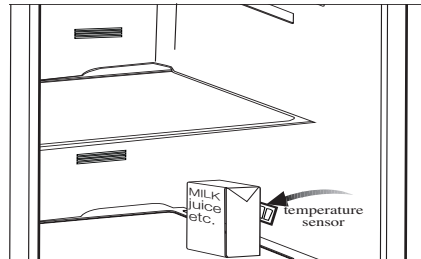
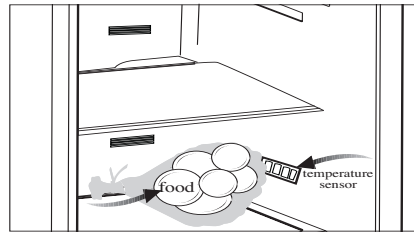
Things to be done for energy saving

- Do not leave the doors of your refrigerator open for a long time.
- Do not put hot food or drinks in your refrigerator.
- Do not overload your refrigerator so that the air circulation inside of it is not prevented.
- Do not install your refrigerator under direct sunlight or near heat emitting appliances such as ovens, dishwashers or radiators.
- Pay attention to keep your food in closed containers.
- For products with a freezer compartment; You can store maximum amount of food items in the freezer when you remove the shelf or drawer of the freezer. Energy consumption value stated for your refrigerator has been determined by removing freezer shelf or drawer and under maximum load. There is no harm to use a shelf or drawer according to the shapes and size of food to be frozen.
- Thawing frozen food in fridge compartment will both provide energy saving and preserve the food quality.

Recommendations for freshfood compartment

* OPTIONAL

- Please do not let any foodstuff to come to contact with the temperature sensor in freshfood compartment. In order to maintain freshfood compartment at ideal storage temperature, the sensor must not be blocked by fodstuffs.
- Do not place hot foodstuff in your appliance.



3 Installation

⚠ Please remember that the manufacturer shall not be held liable if the information given in the instruction manual is not observed.

Points to be considered when re-transporting your refrigerator

1. Your refrigerator must be emptied and cleaned prior to any transportation.
2. Shelves, accessories, crisper and etc. in your refrigerator must be fastened securely by adhesive tape against any jolt before repackaging.
3. Packaging must be tied with thick tapes and strong ropes and the rules of transportation printed on the package must be followed.
4. Plug the refrigerator into the wall outlet. When the fridge door is open, the fridge compartment interior light will come on.
5. You will hear a noise as the compressor starts up. The liquid and gases sealed within the refrigeration system may also give rise to noise, even if the compressor is not running and this is quite normal.
6. Front edges of the refrigerator may feel warm. This is normal. These areas are designed to be warm to avoid condensation.

Please do not forget...

Every recycled material is an indispensable source for the nature and for our national resources.

If you wish to contribute to recycling the packaging materials, you can get further information from the environmental bodies or local authorities.

Before operating your refrigerator

Before starting to use your refrigerator check the following:

1. Is the interior of the refrigerator dry and can the air circulate freely in the rear of it?
2. Please keep 50 mm distance between the backside of the refrigerator and the wall”
3. Clean the interior of the refrigerator as recommended in the “Maintenance and cleaning” section.

Electric connection

Connect your product to a grounded socket which is being protected by a fuse with the appropriate capacity.

Important:

- The connection must be in compliance with national regulations.
- The power cable plug must be easily accessible after installation.
- The specified voltage must be equal to your mains voltage.
- Extension cables and multiway plugs must not be used for connection.

⚠ A damaged power cable must be replaced by a qualified electrician.

⚠ Product must not be operated before it is repaired! There is danger of electric shock!

Disposing of the packaging

The packing materials may be dangerous for children. Keep the packing materials out of the reach of children or dispose of them by classifying them in accordance with the waste instructions. Do not dispose of them along with the normal household waste.

The packing of your refrigerator is produced from recyclable materials.

Disposing of your old refrigerator

Dispose of your old refrigerator without giving any harm to the environment.

- You may consult your authorised dealer or waste collection center of your municipality about the disposal of your refrigerator.

Before disposing of your refrigerator, cut out the electric plug and, if there are any locks on the door, make them inoperable in order to protect children against any danger.

Placing and Installation

⚠ If the entrance door of the room where the refrigerator will be installed is not wide enough for the refrigerator to pass through, then call the authorised service to have them remove the doors of your refrigerator and pass it sideways through the door.

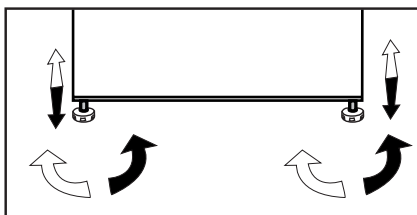
1. Install your refrigerator to a place that allows ease of use.
2. Keep your refrigerator away from heat sources, humid places and direct sunlight.

3. There must be appropriate air ventilation around your refrigerator in order to achieve an efficient operation. If the refrigerator is to be placed in a recess in the wall, there must be at least 50 mm distance with the ceiling and at least 50 mm with the wall. If the floor is covered with a carpet, your product must be elevated 25 mm from the floor.

4. Place your refrigerator on an even floor surface to prevent jolts.

Adjusting the legs

If your refrigerator is unbalanced; You can balance your refrigerator by turning its front legs as illustrated in the figure. The corner where the leg exists is lowered when you turn in the direction of black arrow and raised when you turn in the opposite direction. Taking help from someone to slightly lift the refrigerator will facilitate this process.



Changing the illumination lamp

To change the lamp used for illumination of your refrigerator, please call your Authorized Service.

Changing the door opening direction

⚠ This product's doors could not be reversible.

Water connection

Depending on the model of the refrigerator, you can connect it either to a demijohn or water mains.

First you must connect the water hose to the refrigerator.

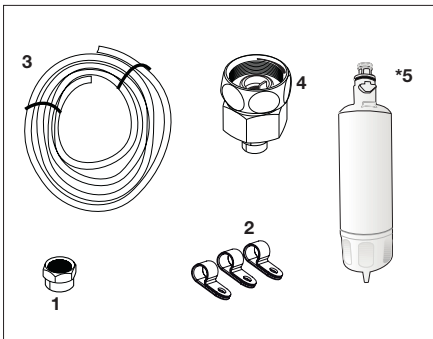
In cases where a demijohn is used, a separate pump must also be used.

WARNING: Refrigerator and the pump, if any, must be unplugged during connection.

Following parts may not be supplied with your product since they are not required when using a demijohn.

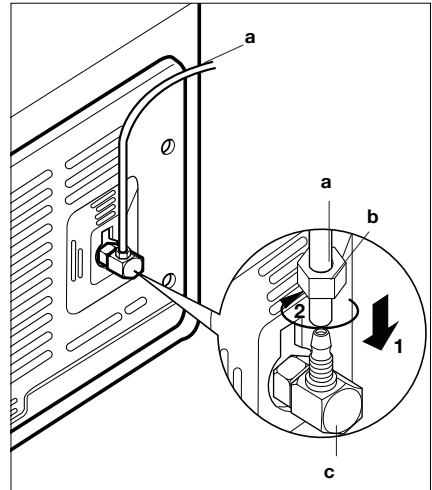
Check that following parts have been delivered together with the product:

- 1.Union for connecting the water hose to the rear of the refrigerator
- 2.3 pieces of pipe clips (used to secure the water hose)
- 3.5-meter long water hose (1/4 inch in diameter)
- 4.Cold mains water valve with mesh filter (tap adapter)
- 5.External water filter. (If there is a demijohn connection; it is not necessary to use a water filter.)



Connecting the water hose to the refrigerator

- 1.Slip the union (b) onto the water hose (a).
- 2.Push the water hose downwards firmly to slip it onto the water inlet valve (c).
- 3.Tighten the union (c) by hand to secure it onto the water inlet valve. Normally, you are not required to tighten the union with a tool. However, you can use a spanner or pliers to tighten the union if there is a leakage.



Connecting of the water hose to the cold water mains line (in some models)

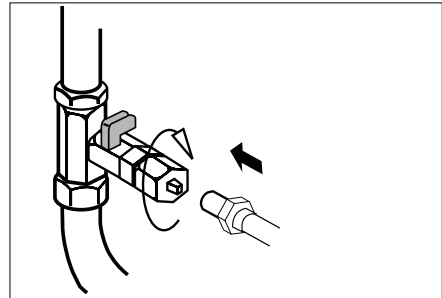
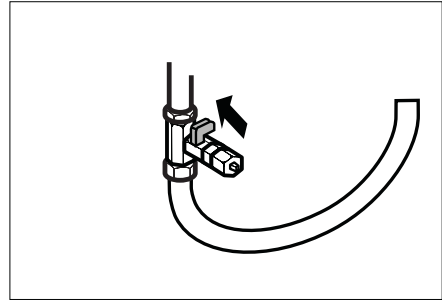
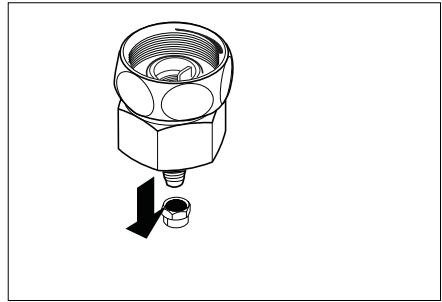
If you will use the refrigerator by connecting it to the cold water mains line, you must install a standard 1/2" valve connector to the cold water installation of your home. If this valve is not present or you are not sure, consult a qualified plumber.

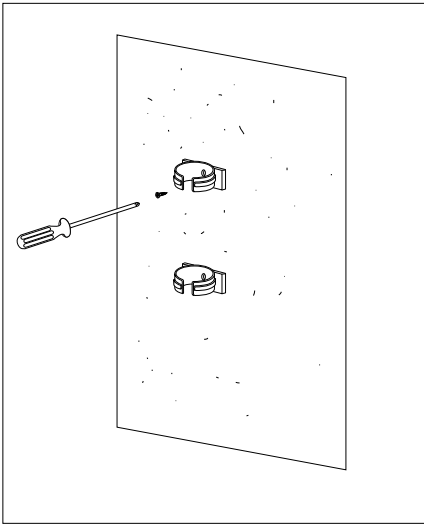
1. Separate the union from the tap adaptor.
2. Install the tap adaptor to standard 1/2" valve connector.
3. After inserting the water hose to the union, install it to the tap adaptor and insert to the union to the tap adaptor.
4. Tighten the union by hand.

WARNING: Secure the water hose to suitable points by means of the clips supplied to avoid any damage or displacement or accidental disconnection.

WARNING: After turning on the water valve, make sure that there is no leakage at both connection points of the water hose. If there is a leakage, turn off the valve immediately and tighten all joints again using a spanner or a pliers.

WARNING: Make sure that standard 1/2" valve connector is available and completely turned off on your cold water mains line.



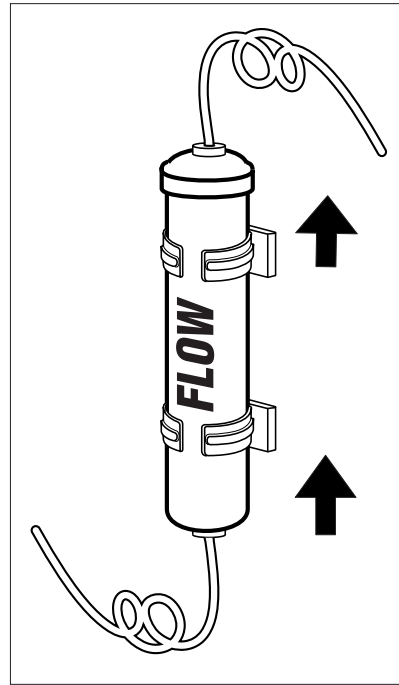


Water filter (in some models)

Your refrigerator may be equipped with an external or internal filter depending on its model. To fit the water filter, follow the instructions below referring to the figures supplied:

Mounting the external filter onto the wall

1. First, determine the location to mount the external filter.
2. Then, determine the distance between the filter and the tap and filter and the water inlet respectively. Prepare hoses at required lengths.
3. Mount the filter connection kit onto the wall by using a screwdriver and attach the filter.



WARNING: Water filter must be hold upright as shown in the figure. It is critical to connect the water inlet and outlet hoses on the filter correctly.

After connecting the filter, do not consume the first 10 glasses of water.

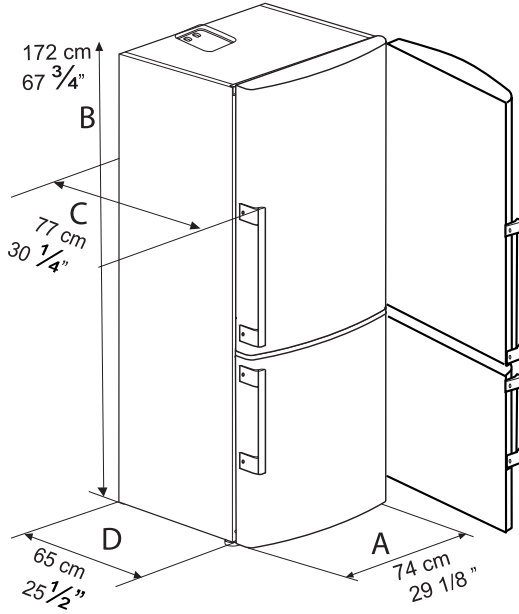
WARNING: Never mount the filter onto the refrigerator. Coolant pipes might be pierced!

After connecting the filter, do not consume the first 10 glasses of water.

WARNING: Never mount the filter onto the refrigerator. Coolant pipes might be pierced!

4 Preparation

- i** Your refrigerator should be installed at least 30 cm away from heat sources such as hobs, ovens, central heater and stoves and at least 5 cm away from electrical ovens and should not be located under direct sunlight.
- i** The ambient temperature of the room where you install your refrigerator should at least be 50°F/ 10°C. Operating your refrigerator under cooler conditions than this is not recommended with regard to its efficiency.
- i** Please make sure that the interior of your refrigerator is cleaned thoroughly.
- i** If two refrigerators are to be installed side by side, there should be at least 2 cm distance between them.
- i** When you operate your refrigerator for the first time, please observe the following instructions during the initial six hours.
 - The door should not be opened frequently.
 - It must be operated empty without any food in it.
 - Do not unplug your refrigerator. If a power failure occurs out of your control, please see the warnings in the “Recommended solutions for the problems” section.
- i** Original packaging and foam materials should be kept for future transportations or moving.



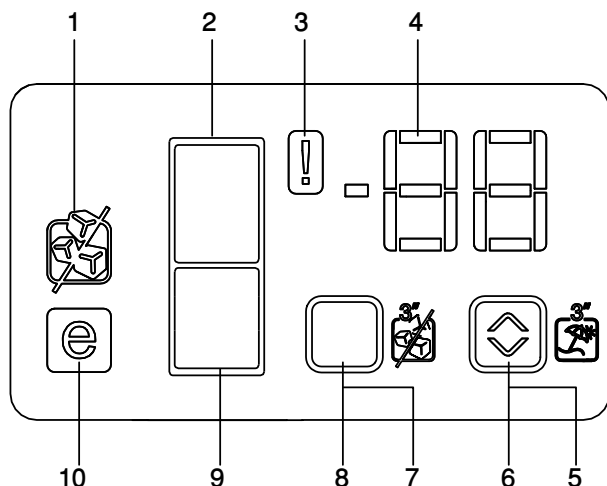
(B) Height (cm/inch) unpacked	172 - 67 3/4"
(A) Width (cm/inch) unpacked	74 - 29 1/8"
(C) Depth (cm/inch) unpacked (with door handle)	77 - 30 1/4"
(B) Height (cm/inch) packed	182.6 - 28 3/8 "
(A) Width (cm/inch) packed	81.3 - 32 "
(C) Depth (cm/inch) packed	77.6 - 30 1/2"
Gross Weight (Kg) /lbs	101.5 - 223.3
Net Weight (Kg) /lbs	94.6 - 208.1

5 Using your refrigerator

Indicator Panel

Indicator panels may vary depending on your product's model.

Indicator panel aids in using your refrigerator with its audio and visual functions.



1. Automatic Ice Machine Off/On indicator
2. Fridge Compartment Indicator
3. Error Status Indicator
4. Temperature Indicator
5. Vacation Button
6. Temperature Setting Button
7. Ice Cancel Button
8. Compartment Selection Button
9. Freezer Compartment Indicator
10. Economy Mode Indicator

ⓘ Figures that take place in this instruction manual are schematic and may not correspond exactly with your product. If the subject parts are not included in the product you have purchased, then it is valid for other models.

1. Automatic Ice Machine Off/On indicator

This symbol appears on the display when Ice Off function is activated.

2. Fridge Compartment Indicator

Fridge compartment light illuminates when adjusting the fridge compartment temperature.

3. Error Status Indicator

If your refrigerator does not cool adequately or if there is a sensor failure, this indicator will be activated. When this indicator is active, Freezer Compartment Temperature indicator will display "e" and Fridge Compartment Temperature Indicator will display numbers such as "1,2,3...". These numbers on the indicator provides information about the error to the service personnel.

4. Temperature Indicator

Indicates the temperatures of fridge, freezer compartment.

5. Vacation Button

Press and hold this button for 3 sec. to activate the Vacation function. Press this button again to deactivate the selected function.

6. Temperature Setting Button

Changes the temperature of the relevant compartment between -5°F/ 21°C and +46 °F/8 °C.

7. Ice Cancel Button

Refrigerator stops ice production when you press selection button for 3 seconds.

8. Refrigerator Compartment

Selection Button Press Refrigerator Compartment Selection Button to switch between fridge and freezer compartments.

9. Freezer Compartment Indicator

Freezer compartment light illuminates when adjusting the freezer compartment temperature.

10. Economy Mode Indicator

This indicates that the refrigerator is running in energy-efficient mode. This indicator will be active if the Freezer Compartment temperature is set to +5°F/-15 °C.

Door Open Warning

(This feature may vary depending on the door of the product and may not exist in some models.)

An audio warning signal will be given when the door of your product is left open for at least 1 minute. This warning will be muted when the door is closed or any of the display buttons (if any) are pressed.

Freezing fresh food


- It must be preferred to wrap or cover the food before placing them in the refrigerator.
- Hot food must cool down to the room temperature before putting them in the refrigerator.
- The foodstuff that you want to freeze must be fresh and in good quality.

Freezer Compartment Adjustment	Fridge Compartment Adjustment	Explanations
5°F/-15 °C	40°F/4 °C.	This is the normal recommended setting.
-18°C/ 0°C or -5°F -21°C	40°F/4 °C.	These settings are recommended when the ambient temperature exceeds 86°F/4 °C.
Quick Freeze	40°F/4 °C.	Use when you wish to freeze your food in a short time. Your refrigerator will return to its previous mode when the process is over.
-15°C/5°F or colder	37°F/2 °C.	If you think that your fridge compartment is not cold enough because of the hot conditions or frequent opening and closing of the door.
-15°C/5°F or colder	Quick Fridge	You can use it when your fridge compartment is overloaded or if you wish to cool down your food rapidly. It is recommended that you activate quick fridge function 4-8 hours before placing the food.

Recommended Using Temperature: FF: 4°C /40 °F Frz : -15°C/5 °F

- Foodstuff must be divided into portions according to the family's daily or meal based consumption needs.
- The foodstuff must be packaged in an airtight manner to prevent them from drying even if they are going to be kept for a short time.
- Materials to be used for packaging must be tear-proof and resistant to cold, humidity, odor, oils and acids and they must also be airtight. Moreover, they must be well closed and they must be made from easy-to-use materials that are suitable for deep freeze usage.
- Frozen food must be used immediately after they are thawed and they should never be re-frozen.
- Please observe the following instructions to obtain the best results.
 1. Do not freeze too large quantities of food at one time. The quality of the food is best preserved when it is frozen right through to the core as quickly as possible.
 2. Placing warm food into the freezer compartment causes the cooling system to operate continuously until the food is frozen solid.
 3. Take special care not to mix already frozen food and fresh food.

Recommendations for preservation of frozen food

- Prepacked commercially frozen food should be stored in accordance with the frozen food manufacturer's instructions for a  (4 star) frozen food storage compartment.
- To ensure that the high quality achieved by the frozen food manufacturer and the food retailer is maintained, the following should be remembered:

1. Put packages in the freezer as quickly as possible after purchase.
2. Ensure that contents are labeled and dated.
3. Do not exceed "Use By", "Best Before" dates on the packaging.

Defrosting

The freezer compartment defrosts automatically.

Placing the food

Freezer compartment shelves	Various frozen food such as meat, fish, ice cream, vegetables and etc.
Egg tray	Egg
Fridge compartment shelves	Food in pans, covered plates and closed containers
Fridge compartment door shelves	Small and packaged food or drinks (such as milk, fruit juice and beer)
Crisper	Vegetables and fruits
Freshzone compartment	Delicatessen products (cheese, butter, salami and etc.)

WARNING! 

- Foodstuff must be divided into portions according to the family's daily or meal based consumption needs.
- Foodstuff must be packaged in an airtight manner to prevent them from drying even if they are going to be kept for a short time.

Materials necessary for packaging:

- Cold resistant adhesive tape
- Self adhesive label
- Rubber rings
- Pen

Materials to be used for packaging the foodstuff must be tear-proof and resistant to cold, humidity, odor, oils and acids.

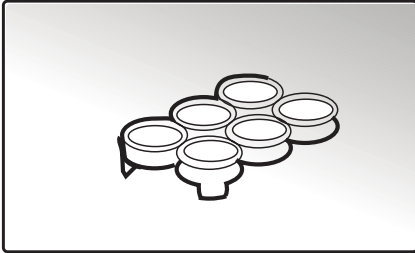
Foodstuff to be frozen should not be allowed to come in contact with the previously frozen items to prevent their partial thawing.

Frozen food must be used immediately after they are thawed and they should never be re-frozen.

Egg tray

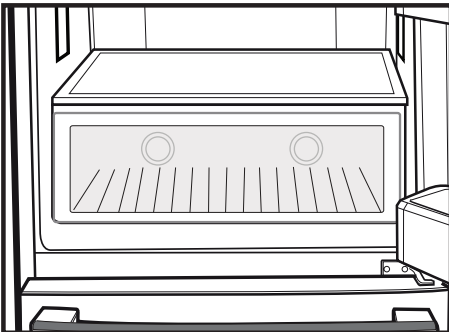
You can install the egg holder to the desired door or body shelf.

Never store the egg holder in the freezer compartment



Blue light (OPTIONAL)

Foodstuff stored in the crispers that are enlightened with a blue light continue their photosynthesis by means of the wavelength effect of blue light and thus, preserve their freshness and increase their vitamin content.

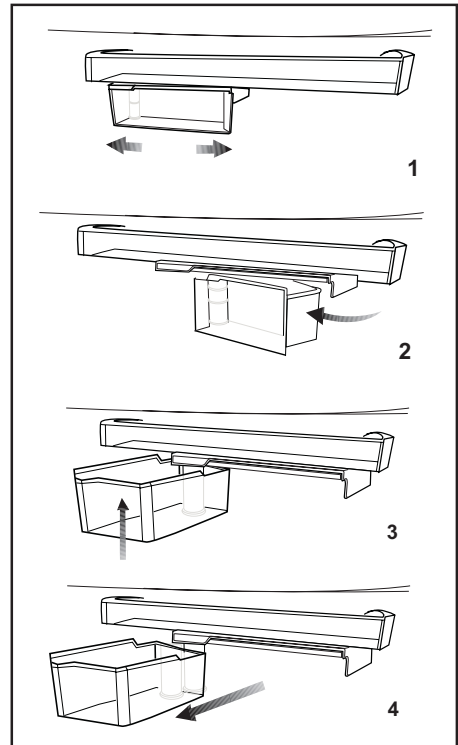


Rotary storage container

Sliding body shelf can be moved to left or right in order to allow you place long bottles, jars or boxes to a lower shelf (Fig. 1)

You can reach the food that you have placed into the shelf by grabbing and turning it from its right edge (Fig.2).

When you want to load or remove it to clean, turn it by 90 degrees, raise it up and pull towards yourself (Fig. 3-4).



Icematic and ice storage container

(in some models)

Using the Icematic

Fill the Icematic with water and place it into its seat. Your ice will be ready approximately in two hours. Do not remove the Icematic from its seating to take ice.

Turn the knobs on it clockwise by 90 degrees.

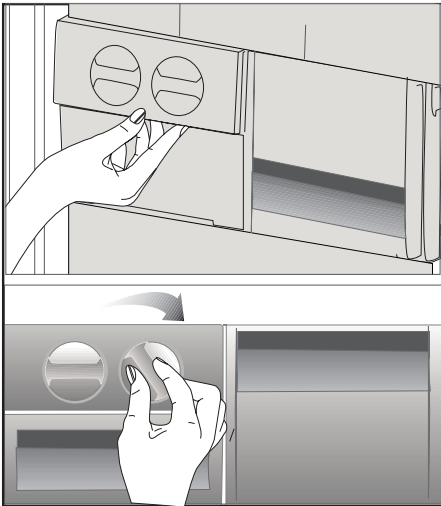
Ice cubes in the cells will fall down into the ice storage container below.

You may take out the ice storage container and serve the ice cubes.

If you wish, you may keep the ice cubes in the ice storage container.

Ice storage container

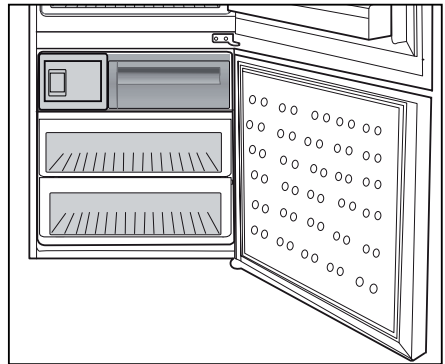
Ice storage container is only intended for accumulating the ice cubes. Do not put water in it. Otherwise, it will break.



Ice Machine

(in some models)

Auto Ice machine system allows you to obtain ice from the refrigerator easily. After the water system pipe connection will be done, the ice can be taken from the ice drawer. First ice cubes will be ready in approximately 2 hours in the Ice machine drawer located in the freezer compartment. Do not put water in it to make ice as it may break. The ice container is not used for storing foods.

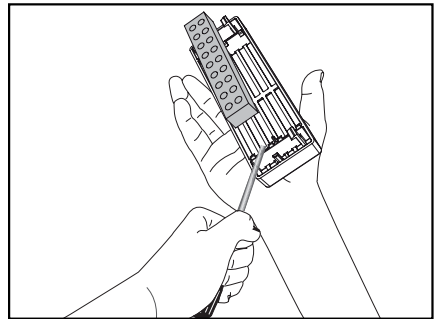
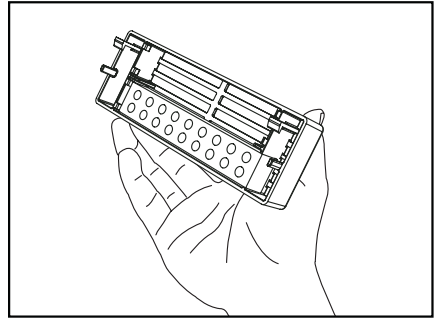
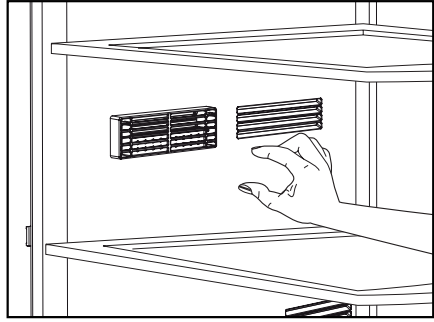


Description and cleaning of odor filter:

Odor filter prevents unpleasant odor build-up in your refrigerator.

Pull the cover, into which the odor filter is installed, downwards and remove as illustrated. Leave the filter under sunlight for one day. Filter will be cleaned during this time. Install the filter back to its place.

Odor filter must be cleaned once in a year.



6 Maintenance and cleaning

- ⚠ Never use gasoline, benzene or similar substances for cleaning purposes.
- ⚠ We recommend that you unplug the appliance before cleaning.
- ⚠ Never use any sharp abrasive instrument, soap, household cleaner, detergent and wax polish for cleaning.
- ℹ Use lukewarm water to clean the cabinet of your refrigerator and wipe it dry.
- ℹ Use a damp cloth wrung out in a solution of one teaspoon of bicarbonate of soda to one pint of water to clean the interior and wipe it dry.
- ⚠ Make sure that no water enters the lamp housing and other electrical items.
- ⚠ If your refrigerator is not going to be used for a long period of time, unplug the power cable, remove all food, clean it and leave the door ajar.
- ℹ Check door seals regularly to ensure they are clean and free from food particles.
- ⚠ To remove door racks, remove all the contents and then simply push the door rack upwards from the base.

- ⚠ Never use cleaning agents or water that contain chlorine to clean the outer surfaces and chromium coated parts of the product. Chlorine causes corrosion on such metal surfaces.

Protection of plastic surfaces

- ℹ Do not put the liquid oils or oil-cooked meals in your refrigerator in unsealed containers as they damage the plastic surfaces of your refrigerator. In case of spilling or smearing oil on the plastic surfaces, clean and rinse the relevant part of the surface at once with warm water.

7 Recommended solutions for the problems

Please review this list before calling the service. It might save you time and money. This list includes frequent complaints that are not arising from defective workmanship or material usage. Some of the features described here may not exist in your product.

The refrigerator does not operate.

- Is the refrigerator properly plugged in? Insert the plug to the wall socket.
- Is the fuse of the socket which your refrigerator is connected to or the main fuse blown out? Check the fuse.

Condensation on the side wall of the fridge compartment (MULTIZONE, COOL CONTROL and FLEXI ZONE).

- Very cold ambient conditions. Frequent opening and closing of the door. Highly humid ambient conditions. Storage of food containing liquid in open containers. Leaving the door ajar. Switching the thermostat to a colder degree.
- Decreasing the time the door left open or using it less frequently.
- Covering the food stored in open containers with a suitable material.
- Wipe the condensation using a dry cloth and check if it persists.

Compressor is not running

- Protective thermic of the compressor will blow out during sudden power failures or plug-out plug-ins as the refrigerant pressure in the cooling system of the refrigerator has not been balanced yet. Your refrigerator will start running approximately after 6 minutes. Please call the service if the refrigerator does not startup at the end of this period.
- The fridge is in defrost cycle. This is normal for a full-automatically defrosting refrigerator. Defrosting cycle occurs periodically.
- Your refrigerator is not plugged into the socket. Make sure that the plug is properly fit into the socket.
- Are the temperature adjustments correctly made?
- Power might be cut off.

The fridge is running frequently or for a long time.

- Your new product may be wider than the previous one. This is quite normal. Large refrigerators operate for a longer period of time.
- The ambient room temperature may be high. This is quite normal.
- The refrigerator might have been plugged in recently or might have been loaded with food. Cooling down of the refrigerator completely may last for a couple of hours longer.
- Large amounts of hot food might have been put in the refrigerator recently. Hot food causes longer running of the refrigerator until they reach the safe storage temperature.
- Doors might have been opened frequently or left ajar for a long time. The warm air that has entered into the refrigerator causes the refrigerator to run for longer periods. Open the doors less frequently.
- Freezer or fridge compartment door might have been left ajar. Check if the doors are tightly closed.
- The refrigerator is adjusted to a very low temperature. Adjust the refrigerator temperature to a warmer degree and wait until the temperature is achieved.
- Door seal of the fridge or freezer may be soiled, worn out, broken or not properly seated. Clean or replace the seal. Damaged/broken seal causes the refrigerator to run for a longer period of time in order to maintain the current temperature.

Freezer temperature is very low while the fridge temperature is sufficient.

- The freezer temperature is adjusted to a very low temperature. Adjust the freezer temperature to a warmer degree and check.

Fridge temperature is very low while the freezer temperature is sufficient.

- The fridge temperature might have been adjusted to a very low temperature. Adjust the fridge temperature to a warmer degree and check.

Food kept in the fridge compartment drawers are freezing.

- The fridge temperature might have been adjusted to a very low temperature. Adjust the fridge temperature to a warmer degree and check.

Temperature in the fridge or freezer is very high.

- The fridge temperature might have been adjusted to a very high degree. Fridge adjustment has an effect on the temperature of the freezer. Change the temperature of the fridge or freezer until the fridge or freezer temperature reaches to a sufficient level.
- Doors might have been opened frequently or left ajar for a long time; open them less frequently.
- Door might have been left ajar; close the door completely.
- Large amount of hot food might have been put in the refrigerator recently. Wait until the fridge or freezer reaches the desired temperature.
- The refrigerator might have been plugged in recently. Cooling down of the refrigerator completely takes time.

The operation noise increases when the refrigerator is running.
<ul style="list-style-type: none"> • The operating performance of the refrigerator may change due to the changes in the ambient temperature. It is normal and not a fault.
Vibrations or noise.
<ul style="list-style-type: none"> • The floor is not even or it is weak. The refrigerator rocks when moved slowly. Make sure that the floor is strong enough to carry the refrigerator, and level. • The noise may be caused by the items put onto the refrigerator. Items on top of the refrigerator should be removed.
There are noises coming from the refrigerator like liquid spilling or spraying.
<ul style="list-style-type: none"> • Liquid and gas flows happen in accordance with the operating principles of your refrigerator. It is normal and not a fault.
There is a noise like wind blowing.
<ul style="list-style-type: none"> • Fans are used in order to cool the refrigerator. It is normal and not a fault.
Condensation on the inner walls of refrigerator.
<ul style="list-style-type: none"> • Hot and humid weather increases icing and condensation. It is normal and not a fault. • Doors might have been left ajar; make sure that the doors are closed fully. • Doors might have been opened frequently or left ajar for a long time; open them less frequently.
Humidity occurs on the outside of the refrigerator or between the doors.
<ul style="list-style-type: none"> • There might be humidity in the air; this is quite normal in humid weather. When the humidity is less, condensation will disappear.
Bad odour inside the refrigerator.
<ul style="list-style-type: none"> • Inside of the refrigerator must be cleaned. Clean the inside of the refrigerator with a sponge, lukewarm water or carbonated water. • Some containers or package materials might cause the smell. Use a different container or different brand packaging material.
The door is not closing.
<ul style="list-style-type: none"> • Food packages may prevent the door's closing. Replace the packages that are obstructing the door. • The refrigerator is not completely upright on the floor and rocking when slightly moved. Adjust the elevation screws. • The floor is not level or strong. Make sure that the floor is level and capable to carry the refrigerator.
Crispers are stuck.
<ul style="list-style-type: none"> • The food might be touching the ceiling of the drawer. Rearrange food in the drawer.

Veillez commencer par lire ce manuel:

Cher client,

Nous espérons que vous serez satisfait de ce produit fabriqué dans une usine de pointe.

Cet appareil a subi des contrôles de qualité très méticuleux.

Veillez donc lire l'ensemble de la notice avant d'utiliser votre appareil.

N'oubliez pas de donner ce manuel si vous cédez le produit à quelqu'un.

Ce manuel:

- vous aidera à utiliser votre produit avec rapidité et sécurité.
- Lisez le manuel avant d'installer et de faire fonctionner votre produit.
- Respectez les instructions, notamment celles relatives à la sécurité.
- Conservez ce manuel dans un endroit facile d'accès car vous pouvez en avoir besoin ultérieurement.
- En plus, lisez également les autres documents fournis avec votre produit.
- Veuillez noter que ce manuel peut également être valide pour d'autres modèles.

Symboles et descriptions

Vous retrouverez les symboles suivants dans le présent manuel :




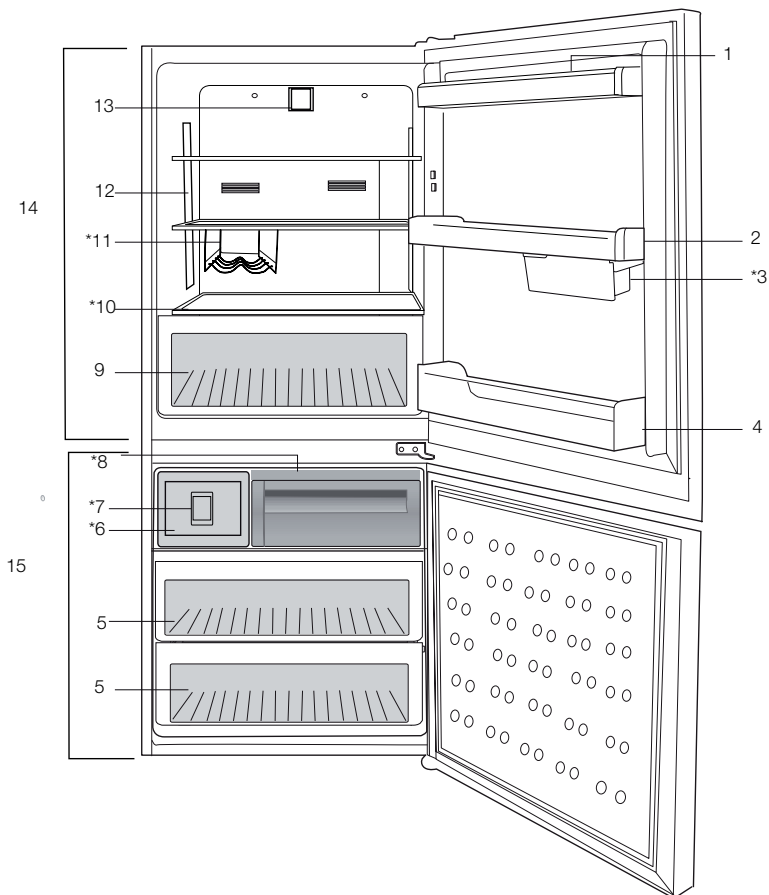
-  Informations importantes ou astuces.
-  Avertissement relatif aux situations dangereuses en matière de sécurité des personnes et des biens.
-  Avertissement en cas de risque de décharge électrique.

Table des matières

1 Congélateur/ réfrigérateur	3	4 Préparation	16
2 Précautions de sécurité importantes	4	5 Utilisation du congélateur/ réfrigérateur	18
Utilisation prévue	4	Bandeau indicateur.....	18
Pour les appareils dotés d'une fontaine à eau ;	6	Avertissement - Porte ouverte.....	20
Sécurité enfants.....	6	Système de réfrigération Dual :	20
Conformité avec la directive DEEE et mise au rebut des déchets :	7	Congélation des produits frais	20
Conformité avec la directive LdSD : .	7	Recommandations concernant la conservation des aliments congelés	21
Informations relatives à l'emballage....	7	Disposition des denrées	21
Avertissement HCA	7	Bac à œufs.....	23
Mesures d'économie d'énergie.....	8	Éclairage bleu.....	23
Recommandations pour le compartiment produits frais	9	Récipient de conservation rotatif.....	23
		Distributeur et récipient de conservation de glaçons.....	24
		Machine à glace	24
		Description et nettoyage du filtre à odeurs :	25
3 Installation	10	6 Entretien et nettoyage	26
Points à prendre en compte lorsque vous transportez à nouveau votre produit.....	10	Protection des surfaces en plastique.	26
Avant de faire fonctionner votre réfrigérateur /congelateur.....	10		
Mise au rebut de l'emballage	11	7 Dépannage	27
Mise au rebut de votre ancien réfrigérateur /congelateur.....	11		
Disposition et Installation	11		
Réglage des pieds.....	12		
Remplacement de la lampe	12		
Raccordement du système d'alimentation en eau	13		
Connexion du tuyau d'eau au congélateur/réfrigérateur.....	13		
Connexion du tuyau d'eau au tuyau d'alimentation en eau principal	14		
Filtre à eau.....	15		
Montage mural du filtre externe	15		

1 Congélateur/réfrigérateur



1. Support à œufs
 2. Clayette du compartiment congélateur/réfrigérateur
 3. Récipients de conservation coulissants et rotatifs
 4. Clayette range-bouteilles
 5. Tiroirs du compartiment congélateur
 6. Appareil à glaçons
 7. Machine à glace
 8. Tiroir du compartiment de refroidissement rapide
 9. Bac à légumes
 10. Clayettes en verre réglables
 11. Range-bouteilles
 12. Lentilles d'illumination
 13. Ventilateur
 14. Compartiment congélateur/réfrigérateur
 15. Compartiment congélateur
- * EN OPTION**

f Les illustrations présentées dans cette notice d'utilisation sont schématiques et peuvent ne pas correspondre exactement à votre produit. Si des pièces présentées ne sont pas comprises dans le produit que vous avez acheté, elles sont valables pour d'autres modèles.

2 Précautions de sécurité importantes

Veillez examiner les informations suivantes : Le non respect de ces consignes peut entraîner des blessures ou dommages matériels. Sinon, tout engagement lié à la garantie et à la fiabilité du produit devient invalide.

La durée de vie du produit que vous avez acheté est de 10 ans. Il s'agit ici de la période au cours de laquelle vous devez conserver les pièces de rechange nécessaires à son fonctionnement.

Utilisation prévue

Ce produit est prévu pour une utilisation

- en intérieur et dans des zones fermées telles que les maisons ;
- dans les environnements de travail fermés, tels que les magasins et les bureaux ;
- dans les lieux d'hébergement fermés, tels que les fermes, hôtels, pensions.
- Cet appareil ne doit pas être utilisé en extérieur.

Sécurité générale

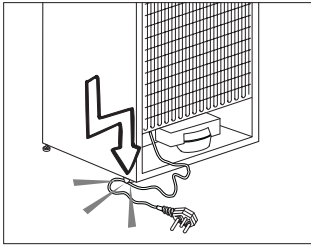
- Avant de vous débarrasser de votre appareil, veuillez consulter les autorités locales ou votre revendeur pour connaître le mode opératoire et les organismes de collecte agréés.
- Consultez le service après-vente agréé concernant toutes questions ou problèmes relatifs au réfrigérateur. N'intervenez pas ou ne laissez personne intervenir sur le réfrigérateur sans le communiquer au service après-vente agréé.
- Pour les produits équipés d'un compartiment congélateur :

ne mangez pas de cônes de crème glacée ou des glaçons immédiatement après les avoir sortis du compartiment de congélation !

(Cela pourrait provoquer des engelures dans votre bouche).

- Pour les produits équipés d'un compartiment congélateur : ne placez pas de boissons en bouteille ou en cannette dans le compartiment de congélation. Cela peut entraîner leur éclatement.
- Ne touchez pas des produits congelés avec les mains, ils pourraient se coller à celles-ci.
- Débranchez votre réfrigérateur avant de le nettoyer ou de le dégivrer.
- La vapeur et des matériaux de nettoyage pulvérisés ne doivent jamais être utilisés pour les processus de nettoyage ou de dégivrage de votre réfrigérateur. La vapeur pourrait pénétrer dans les pièces électriques et provoquer des courts-circuits ou des électrocutions.
- Ne jamais utiliser les pièces de votre réfrigérateur telles que la porte, comme un support ou une marche.
- N'utilisez pas d'appareils électriques à l'intérieur du réfrigérateur.
- N'endommagez pas les pièces où circule le liquide réfrigérant avec des outils de forage ou coupants. Le liquide réfrigérant qui pourrait s'échapper si les canalisations de gaz de l'évaporateur, les rallonges de tuyau ou les revêtements de surface étaient percés, peut irriter la peau et provoquer des blessures aux yeux.
- Ne pas couvrir ou obstruer les orifices de ventilation du réfrigérateur.

- Les appareils électriques peuvent être réparés seulement par des personnes autorisées. Les réparations réalisées par des personnes ne présentant pas les compétences requises peuvent présenter un risque pour l'utilisateur.
- En cas de dysfonctionnement ou lors d'opérations d'entretien ou de réparation, débranchez l'alimentation électrique du réfrigérateur soit en désactivant le fusible correspondant, soit en débranchant l'appareil.
- Ne tirez pas sur le câble lorsque vous débranchez la prise.
- Placez les boissons alcoolisées verticalement, dans des récipients convenablement fermés.
- Ne conservez jamais des aérosols contenant des substances inflammables et explosives dans le réfrigérateur.
- N'utilisez pas d'outils mécaniques ou autres dispositifs pour accélérer le processus de décongélation autres que ceux qui sont recommandés par le fabricant.
- Ce produit n'est pas conçu pour être utilisé par des personnes (enfants compris) souffrant de déficience physique, sensorielle, mentale, ou inexpérimentées, à moins d'avoir obtenu une autorisation auprès des personnes responsables de leur sécurité.
- Ne faites pas fonctionner un réfrigérateur endommagé. Consultez le service agréé en cas de problème.
- La sécurité électrique du réfrigérateur n'est assurée que si le système de mise à la terre de votre domicile est conforme aux normes en vigueur.
- L'exposition du produit à la pluie, la neige, au soleil ou au vent présente des risques concernant la sécurité électrique.
- Contactez le service agréé quand un câble d'alimentation est endommagé pour éviter tout danger.
- Ne branchez jamais le réfrigérateur à la prise murale au cours de l'installation. Vous vous exposeriez à un risque de mort ou à de blessures graves.
- Ce réfrigérateur est conçu seulement pour conserver des aliments. Par conséquent, il ne doit pas être utilisé à d'autres fins.
- L'étiquette avec les caractéristiques techniques est située sur le mur gauche à l'intérieur du réfrigérateur.
- Ne branchez jamais votre réfrigérateur à des systèmes d'économie d'énergie, cela peut l'endommager.
- S'il y a une lumière bleue sur le réfrigérateur, ne la regardez pas avec des outils optiques.
- Pour les réfrigérateurs contrôlés manuellement, attendez au moins 5 minutes pour allumer le réfrigérateur après une coupure de courant.
- Si cet appareil venait à changer de propriétaire, n'oubliez pas de remettre la présente notice d'utilisation au nouveau bénéficiaire.
- Évitez d'endommager le câble d'alimentation quand vous transportez le réfrigérateur. Tordre le câble peut entraîner un incendie. Ne placez jamais d'objets lourds sur le câble d'alimentation. Évitez de toucher à la prise avec des mains mouillées au moment de brancher l'appareil.



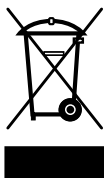
- Évitez de brancher le réfrigérateur lorsque la prise de courant électrique a lâché.
 - Pour des raisons d'ordre sécuritaire, évitez de vaporiser directement de l'eau sur les parties externes et internes du réfrigérateur.
 - Ne pulvérisez pas de substances contenant des gaz inflammables comme du propane près du réfrigérateur pour éviter tout risque d'incendie et d'explosion.
 - Ne placez jamais de récipients pleins d'eau en haut du réfrigérateur, ils pourraient causer des chocs électriques ou incendie.
 - Ne surchargez pas votre réfrigérateur avec des quantités de nourriture excessives. S'il est surchargé, les aliments peuvent tomber, vous blesser et endommager le réfrigérateur quand vous ouvrez la porte. Ne placez jamais d'objets au-dessus du réfrigérateur, ils pourraient tomber quand vous ouvrez ou fermez la porte du réfrigérateur.
 - Les produits qui nécessitent un contrôle de température précis (vaccin, médicament sensible à la chaleur, matériels scientifiques, etc.) ne doivent pas être conservés dans le réfrigérateur.
- Si le réfrigérateur n'est pas utilisé pendant longtemps, il doit être débranché. Un problème avec le câble d'alimentation pourrait causer un incendie.
 - Le bout de la prise électrique doit être nettoyé régulièrement, sinon il peut provoquer un incendie.
 - Le bout de la prise électrique doit être nettoyé régulièrement à l'aide d'un chiffon sec, sinon il peut provoquer un incendie.
 - Le réfrigérateur peut bouger si ses pieds réglables ne sont pas bien fixés sur le sol. Bien fixer les pieds réglables sur le sol peut empêcher le réfrigérateur de bouger.
 - Quand vous transportez le réfrigérateur, ne le tenez pas par la poignée de la porte. Cela peut le casser.
 - Quand vous devez placer votre produit près d'un autre réfrigérateur ou congélateur, la distance entre les appareils doit être d'au moins 8 cm. Sinon, les murs adjacents peuvent être humidifiés.

Pour les appareils dotés d'une fontaine à eau ;

La pression de l'alimentation en eau doit être au minimum de 1 bar. La pression de l'alimentation en eau doit être au maximum de 8 bars.

- Utilisez uniquement de l'eau potable.
- ### **Sécurité enfants**
- Si la porte a un verrouillage, la clé doit rester hors de portée des enfants.
 - Les enfants doivent être surveillés et empêchés de s'amuser avec le produit.

Conformité avec la directive DEEE et mise au rebut des déchets :



Ce produit est conforme à la directive DEEE (2012/19/UE) de l'Union européenne). Ce produit porte un symbole de classification pour la mise au rebut des équipements électriques et

électroniques (DEEE). Le présent produit a été fabriqué avec des pièces et du matériel de qualité supérieure susceptibles d'être réutilisés et adaptés au recyclage. Par conséquent, nous vous conseillons de ne pas le mettre au rebut avec les ordures ménagères et d'autres déchets à la fin de sa durée de vie. Au contraire, rendez-vous dans un point de collecte pour le recyclage de tout matériel électrique et électronique. Veuillez vous rapprocher des autorités de votre localité pour plus d'informations concernant le point de collecte le plus proche.

Conformité avec la directive LdSD :

L'appareil que vous avez acheté est conforme à la directive LdSD (2011/65/UE) de l'Union européenne. Il ne comporte pas les matériaux dangereux et interdits mentionnés dans la directive.

Informations relatives à l'emballage

Les matériaux d'emballage de cet appareil sont fabriqués à partir de matériaux recyclables, conformément à nos réglementations nationales en matière d'environnement. Ne mélangez pas les matériaux d'emballage avec

les déchets domestiques ou d'autres déchets. Amenez-les plutôt aux points de collecte des matériaux d'emballage, désignés par les autorités locales.

⚠ DANGER : Risque d'enfermement pour les enfants. Avant de jeter votre ancien réfrigérateur ou congélateur :

- Retirez les portes.
- Laissez les étagères en place de manière à ce que les enfants ne puissent pas pénétrer facilement à l'intérieur.

Avertissement HCA

Si le système de refroidissement de votre appareil contient R600a :

Ce gaz est inflammable. Par conséquent, veuillez prendre garde à ne pas endommager le système de refroidissement et les tuyauteries lors de son utilisation ou de son transport. En cas de dommages, éloignez votre produit de toute source potentielle de flammes susceptible de provoquer l'incendie de l'appareil. De même, placez le produit dans une pièce aérée.

⚠ DANGER – Risque d'incendie ou d'explosion. Réfrigérant inflammable utilisé. N'utilisez pas d'objets mécaniques pour dégivrer le réfrigérateur. Ne percez pas les tuyaux du réfrigérant"

⚠ DANGER – Risque d'incendie ou d'explosion. Réfrigérant inflammable utilisé. Ne doit être réparé que par le personnel de service qualifié. Pas de perforation Tuyau du réfrigérant".

⚠ATTENTION – Risque d'incendie ou d'explosion. Réfrigérant inflammable utilisé. Reportez-vous au manuel de réparation / guide de l'utilisateur avant toute tentative de dépannage de cet appareil. Toutes les précautions de sécurité doivent être respectées.

⚠ATTENTION – Risque d'incendie ou d'explosion. La mise au rebut doit se faire conformément aux réglementations fédérales ou locales. Réfrigérant inflammable utilisé.

⚠ATTENTION– Risque d'incendie ou d'explosion causée par la perforation du tuyau du réfrigérant ; respectez attentivement les consignes de manutention. Réfrigérant inflammable utilisé".

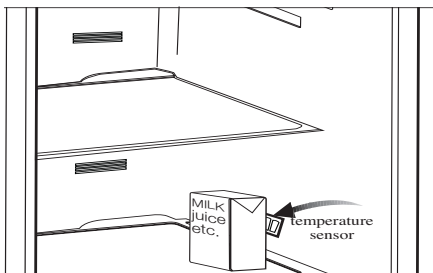
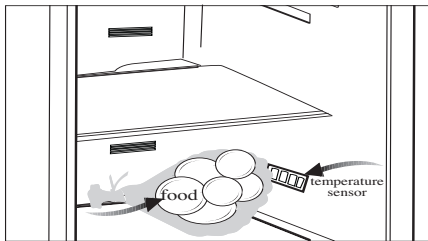
Mesures d'économie d'énergie

- Ne laissez pas les portes du réfrigérateur ouvertes pendant une durée prolongée.
- N'introduisez pas de denrées ou de boissons chaudes dans le réfrigérateur.
- Ne surchargez pas le réfrigérateur pour ne pas obstruer pas la circulation d'air à l'intérieur.
- N'installez pas le réfrigérateur à la lumière directe du soleil ou près d'appareil émettant de la chaleur tels qu'un four, un lave-vaisselle ou un radiateur.
- Veillez à conserver vos denrées dans des récipients fermés.
- Pour les produits équipés d'un compartiment congélateur : vous pouvez conserver une quantité maximale d'aliments dans le congélateur quand vous enlevez l'étagère ou le tiroir du congélateur. La consommation d'énergie précisée pour votre réfrigérateur a été déterminée en enlevant l'étagère ou le tiroir du congélateur et avec la charge maximale. Il n'y aucun risque à utiliser une étagère ou un tiroir en fonction des formes et tailles des denrées à congeler.
- La décongélation des aliments dans le compartiment réfrigérateur permet de faire des économies d'énergie et de préserver la qualité des aliments.

Recommandations pour le compartiment produits frais

*EN OPTION

- Ne laissez aucun aliment entrer en contact avec le capteur de température dans le compartiment produits frais. Afin de conserver le compartiment produits frais à la température de conservation idéale, le capteur ne doit pas être encombré par des aliments.
- Ne placez pas de denrées chaudes dans votre appareil.



3 Installation

⚠ Veuillez noter que le fabricant ne pourra être tenu responsable si les informations fournies dans cette notice d'utilisation ne sont pas respectées.

Points à prendre en compte lorsque vous transportez à nouveau votre produit.

1. Le congélateur/réfrigérateur doit être vidé et nettoyé avant tout transport.
2. Les clayettes, accessoires, bac à légumes, etc. de votre congélateur/réfrigérateur doivent être fixés solidement avec de la bande adhésive avant de remballer l'appareil, pour le protéger en cas de chocs.
3. L'emballage doit être fixé avec une bande adhésive forte et des cordes solides, et les normes de transport indiquées sur l'emballage doivent être appliquées.

Gardez à l'esprit les points suivants...

Chaque matériau recyclé est une participation indispensable à la préservation de la nature et conservation de nos ressources nationales.

Si vous souhaitez contribuer à recycler les matériaux d'emballage, vous pouvez obtenir des informations supplémentaires auprès des organismes environnementaux ou des autorités locales.

Avant de faire fonctionner votre réfrigérateur / congélateur

Avant de commencer à faire fonctionner votre réfrigérateur / congélateur, vérifiez les points suivants :

4. Insérez les 2 cales en plastique entre les câbles du condenseur, tel qu'illustré dans la figure suivante. Les cales en plastique maintiendront la distance nécessaire entre votre congélateur/réfrigérateur et le mur pour permettre une bonne circulation de l'air. (Le schéma présenté est fourni à titre indicatif et peut ne pas correspondre exactement avec votre produit).
5. Nettoyez l'intérieur du congélateur/réfrigérateur tel qu'indiqué dans la section « Entretien et nettoyage ».
6. Vous remarquerez un bruit lorsque le compresseur se met en marche. Le liquide et les gaz intégrés au système du congélateur/réfrigérateur peuvent également faire du bruit, que le compresseur soit en marche ou non. Ceci est tout à fait normal.
7. Les parties antérieures du congélateur/réfrigérateur peuvent chauffer. Ce phénomène est normal. Ces zones doivent en principe être chaudes pour éviter tout risque de condensation.

Branchement électrique

Branchez votre congélateur/réfrigérateur à une prise de mise à la terre protégée par un fusible ayant une capacité appropriée.

Important :

- Le branchement doit être conforme aux normes en vigueur sur le territoire national.
- La fiche de câble d'alimentation doit être facilement accessible après installation.
- La tension spécifiée doit être égale à votre tension de secteur.
- Les rallonges et prises multivoies ne doivent pas être utilisés pour brancher l'appareil.

⚠ Un câble d'alimentation endommagé doit être remplacé par un électricien qualifié.

⚠ L'appareil ne doit pas être mis en service avant d'être réparé ! Un risque de choc électrique existe !

Mise au rebut de l'emballage

Les matériaux d'emballage peuvent être dangereux pour les enfants. Tenez les matériaux d'emballage hors de portée des enfants ou débarrassez-vous-en conformément aux consignes sur les déchets. Ne les jetez pas aux côtés des ordures ménagères ordinaires.

L'emballage de votre appareil est produit à partir des matériaux recyclables.

Mise au rebut de votre ancien réfrigérateur / congélateur

Débarrassez-vous de votre ancien congélateur/réfrigérateur sans nuire à l'environnement.

- Vous pouvez consulter le service après-vente agréé ou le centre chargé de la mise au rebut dans votre municipalité pour en savoir plus sur la mise au rebut de votre produit.

Avant de procéder à la mise au rebut de votre machine, coupez la prise électrique et, le cas échéant, tout verrouillage susceptible de se trouver sur la porte. Rendez-les inopérants afin de ne pas exposer les enfants à d'éventuels dangers.

Disposition et Installation

⚠ Si la porte d'entrée de la pièce où sera installé le congélateur/réfrigérateur n'est pas assez large pour laisser passer le réfrigérateur / congélateur, appelez alors le service après-vente pour faire retirer les portes du congélateur/réfrigérateur et le faire passer latéralement.

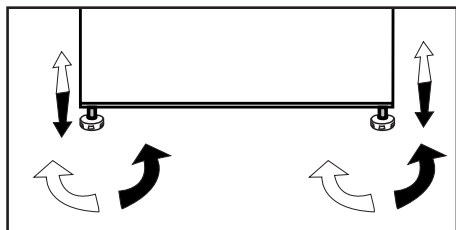
1. Installez le congélateur/réfrigérateur dans un emplacement qui permette une utilisation pratique.
2. Maintenez le congélateur/réfrigérateur éloigné de toutes sources de chaleur, des endroits humides et de la lumière directe du soleil.
3. Une ventilation d'air autour du congélateur/réfrigérateur doit être aménagée pour obtenir un fonctionnement efficace. Si le congélateur/réfrigérateur est placé dans un enfoncement du mur, il doit y avoir un espace d'au moins 5 cm avec le plafond et d'au moins 5 cm avec le mur. Si le sol est couvert de moquette, votre produit doit être surélevé à 2,5 cm du sol.
4. Placez le congélateur/réfrigérateur sur un a de surface plane afin d'éviter les à-coups.

Réglage des pieds

Si le réfrigérateur /congelateur n'est pas stable.

Vous pouvez équilibrer le réfrigérateur /congelateur en tournant les pieds avant, tel qu'illustré dans le schéma.

Le côté où se trouve le pied s'abaisse lorsque vous tournez dans le sens de la flèche noire, et s'élève lorsque vous tournez dans le sens opposé. Si vous vous faites aider par quelqu'un pour légèrement soulever le réfrigérateur / congelateur, l'opération s'en trouvera simplifiée.



Remplacement de la lampe

Pour remplacer la lampe d'éclairage du réfrigérateur /congelateur, veuillez contacter le service après-vente agréé.

Inversion de la direction de l'ouverture de la porte

Les portes de ce produit ne sont pas réversibles.

Raccordement du système d'alimentation en eau

Selon le modèle du congélateur/réfrigérateur, vous pouvez le raccorder à une dame-jeanne ou à une conduite d'eau. Vous devez d'abord connecter le tuyau d'eau au congélateur/réfrigérateur.

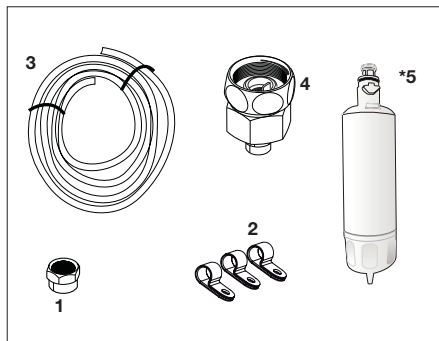
Si vous utilisez une dame-jeanne, vous devez également utiliser une pompe distincte.

AVERTISSEMENT: Le congélateur/réfrigérateur et la pompe, le cas échéant, doivent être débranchés pendant la connexion.

Il est possible que les parties suivantes ne soient pas fournies avec votre appareil puisqu'elles ne sont pas nécessaires lorsque vous utilisez une dame-jeanne.

Vérifiez que les parties suivantes ont été livrées en même temps que l'appareil:

1. Le câble permettant de raccorder le tuyau d'eau à l'arrière du congélateur/réfrigérateur
2. 3 colliers d'attache (Utilisé pour sécuriser le tuyau d'eau)
3. 5-Tuyau d'alimentation en eau de 5 mètres (1/4 pouce de diamètre)

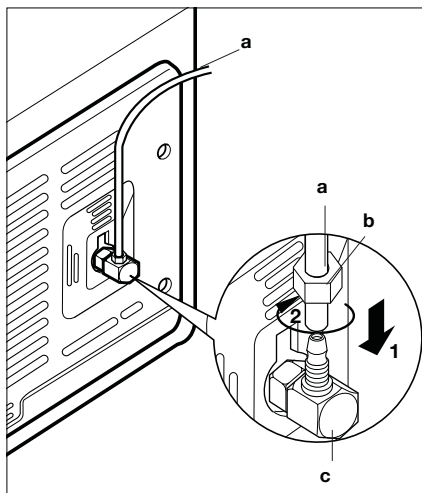


4. Robinet d'adduction d'eau froide (Adaptateur de robinet)
5. Filtre d'eau externe. (Si vous avez une dame-jeanne, il est inutile d'utiliser un filtre.)

Connexion du tuyau d'eau au congélateur/réfrigérateur

1. Faites glisser le raccord (b) sur le tuyau d'eau (a).
2. Poussez fermement le tuyau d'eau vers le bas afin de le glisser sur le robinet d'arrivée d'eau (c).
3. Serrez manuellement le raccord (c) afin de le sécuriser sur le robinet d'arrivée d'eau.

En principe, vous ne devez pas serrer le raccord avec un outil. Cependant, vous pouvez utiliser une clé ou des pinces pour le serrer en cas de fuite.



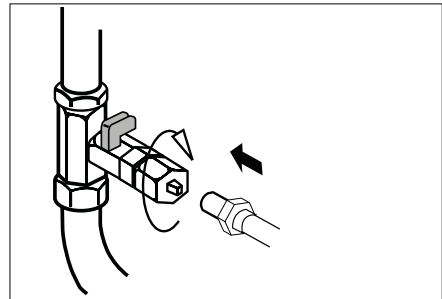
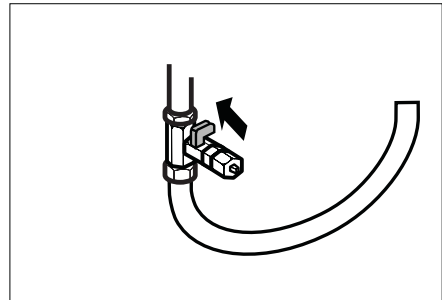
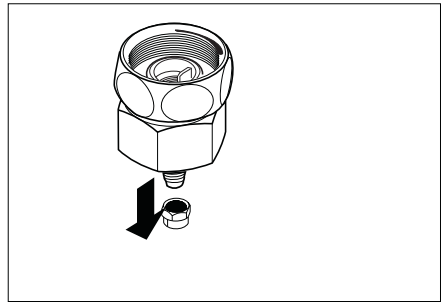
Connexion du tuyau d'eau au tuyau d'alimentation en eau principal (sur certains modèles)

Si vous avez l'intention d'utiliser le congélateur/réfrigérateur en le raccordant au tuyau d'alimentation en eau principal, vous devez installer un connecteur à valve standard dans l'installation d'eau froide de votre maison. Si cette valve est absente de votre appareil ou si vous n'en êtes pas sûr, consultez un plombier qualifié.

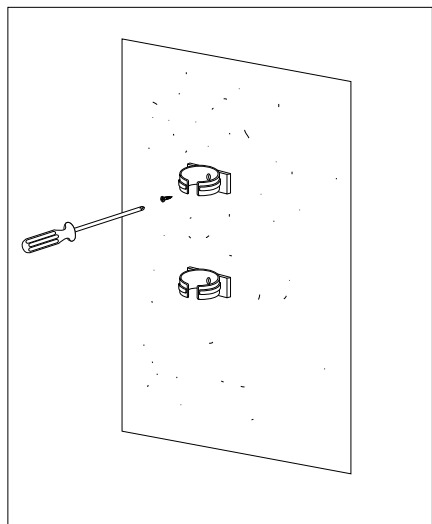
1. Séparez le raccord de l'adaptateur du robinet.
2. Installez l'adaptateur du robinet sur un connecteur à valve standard de 1/2 pouce.
3. Après avoir inséré le tuyau d'alimentation au raccord, installez-le sur l'adaptateur du robinet et insérez-le sur cet adaptateur tel qu'indiqué dans le schéma.
4. Serrez le raccord manuellement.

AVERTISSEMENT: Sécurisez le tuyau d'alimentation en eau à des points appropriés, au moyen de colliers de fixation fournis pour éviter tout dommage, déplacement ou coupure accidentelle.

AVERTISSEMENT: Après avoir tourné le robinet de prise d'eau, veillez à ce qu'il n'y ait pas de fuite aux deux points de raccordement du tuyau d'alimentation en eau. En cas de fuite, arrêtez la valve immédiatement et serrez tous les joints à nouveau à l'aide d'une clé à molette ou d'une pince.



AVERTISSEMENT : Vérifiez qu'un connecteur à valve standard de 1/2 pouce est disponible et complètement désactivé sur votre tuyau d'alimentation en eau principal.

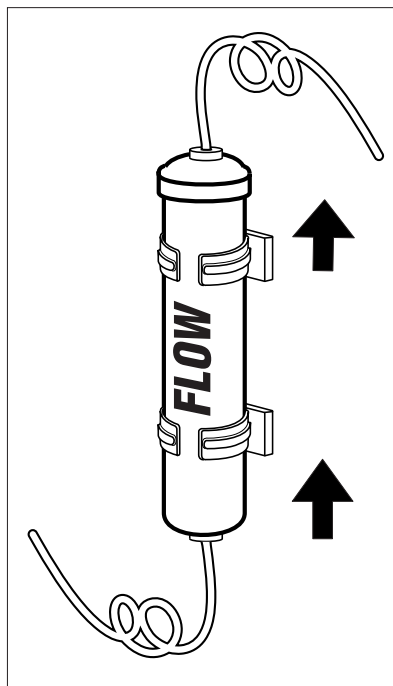


Filter à eau (sur certains modèles)

Votre congélateur/réfrigérateur peut être équipé d'un filtre externe ou interne, selon le modèle. Pour installer le filtre à eau, suivez les instructions ci-dessous, renvoyant aux schémas fournis :

Montage mural du filtre externe

1. Premièrement, choisissez le lieu où vous souhaitez monter le filtre externe.
2. Déterminez ensuite la distance entre le filtre et le robinet, et celle entre le filtre et l'entrée d'eau respectivement. Préparez les tuyaux suivant la longueur requise.
3. Montez le kit de connexion du filtre au mur en utilisant un tournevis et fixez le filtre.



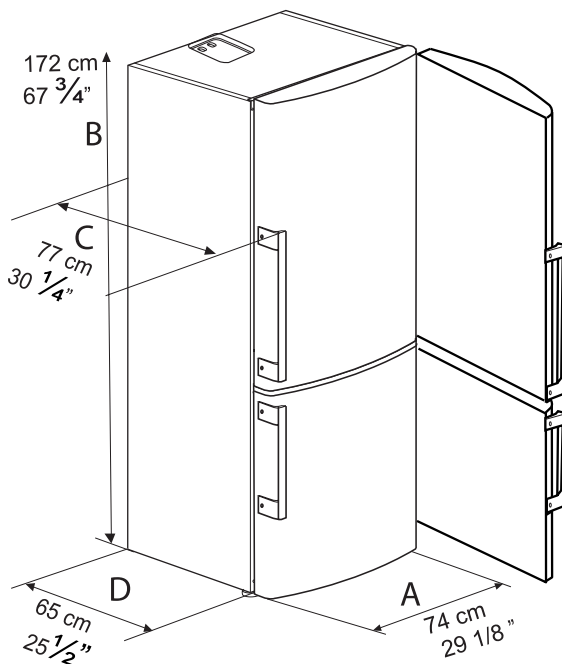
AVERTISSEMENT: Le filtre à eau doit rester debout comme indiqué dans l'image. Il est primordial de connecter correctement les tuyaux d'entrée et de sortie d'eau au filtre.

Après avoir installé le filtre, évitez d'en boire les 10 premiers verres d'eau.

AVERTISSEMENT: Ne montez jamais le filtre sur le congélateur/réfrigérateur. Les tuyaux de refroidissement pourraient se perforer!

4 Préparation

- Votre congélateur / réfrigérateur doit être installé à au moins 30 cm des sources de chaleur telles que les plaques de cuisson, les fours, appareils de chauffage ou cuisinières, et à au moins 5 cm des fours électriques. De même, il ne doit pas être exposé à la lumière directe du soleil.
- Veuillez vous assurer que l'intérieur de votre appareil est soigneusement nettoyé.
- La température ambiante de la pièce où vous installez le congélateur / réfrigérateur doit être d'au moins 50°F/ 10°C. Faire fonctionner l'appareil sous des températures inférieures n'est pas recommandé et pourrait nuire à son efficacité.
- Si deux congélateur / réfrigérateurs sont installés côte à côte, ils doivent être séparés par au moins 2 cm.
- Lorsque vous faites fonctionner le congélateur / réfrigérateur pour la première fois, assurez-vous de suivre les instructions suivantes pendant les six premières heures.
 - La porte ne doit pas être ouverte fréquemment.
 - Le congélateur / réfrigérateur doit fonctionner à vide, sans denrées à l'intérieur.
 - Ne débranchez pas le congélateur / réfrigérateur. Si une panne de courant se produit, veuillez vous reporter aux avertissements dans la section « Solutions recommandées aux problèmes ».
- L'emballage et les matériaux de protection d'emballage doivent être conservés pour les éventuels transports ou déplacements à venir.



(B) Hauteur (cm/inch)non arpenté	172 - 67 3/4"
(A) largeur (cm/inch)non arpenté	74 -29 1/8"
(C) profondeur (cm/inch)non arpenté	77- 30 1/4"

(B) Hauteur (cm/inch)rythme	182.6-28 3/8 "
(A) largeur (cm/inch)rythme	81.3 -32 "
(C) profondeur (cm/inch)rythme	77.6-30 1/2"

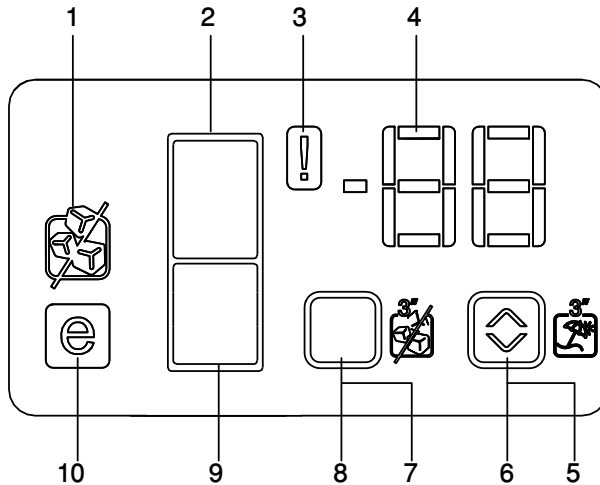
Poids brut (Kg) / lbs	101.5 /223.3
Poids mort (Kg) / lbs	94.6 /208.1

5 Utilisation du congélateur/réfrigérateur

Bandeau indicateur

Les panneaux indicateurs peuvent varier en fonction du modèle de produit.

Le bandeau indicateur vous aide à utiliser votre réfrigérateur avec ses fonctions sonores et visuelles.



1. Machine à glaçons automatique
Désactivé / Activé indicateur
2. Indicateur du compartiment de réfrigération
3. Indicateur d'état de dysfonctionnement
4. Indicateur de température
5. Bouton Vacances
6. Bouton de réglage de température
7. Bouton d'annulation de glace
8. Bouton de sélection de compartiment
9. Indicateur du compartiment congélateur
10. Indicateur du mode Economie

Les illustrations présentées dans cette notice d'utilisation sont schématiques et peuvent ne pas correspondre exactement à votre produit. Si des pièces présentées ne sont pas comprises dans le produit que vous avez acheté, elles sont valables pour d'autres modèles.

1. Machine à glaçons automatique Désactivé / Activé indicateur

Ce symbole s'affiche à l'écran quand la fonction Ice Off fonction est activée.

2. Indicateur du compartiment réfrigérateur

La lumière du compartiment réfrigérateur s'allume lors du réglage de la température du compartiment réfrigérateur.

3. Indicateur d'état de dysfonctionnement

Si votre réfrigérateur ne refroidit pas correctement ou s'il y a un dysfonctionnement dans un capteur, cet indicateur sera activé. Lorsque cet indicateur est activé, l'indicateur de la température du compartiment de congélation affichera "e" et l'indicateur de température du compartiment du réfrigérateur affichera des chiffres, par ex. : « 1,2,3... ». Ces nombres fournissent des informations concernant le dysfonctionnement au personnel de maintenance.

4. Indicateur de température

Indique les températures des compartiments réfrigérateur et congélateur.

5. Bouton Vacances

Appuyez sur ce bouton pendant 3 secondes pour activer la fonction Vacances. Appuyez de nouveau sur ce bouton pour désactiver la fonction sélectionnée.

6. Bouton de réglage de la température

Change la température du compartiment concerné entre -5°F/ 21°C et +46 °F/8 °C.

7. Bouton d'annulation de glace

Le réfrigérateur arrête de produire de la glace lorsque vous appuyez sur le bouton de sélection pendant 3 secondes.

8. Compartiment réfrigérateur

Bouton de sélection Appuyez sur le bouton de sélection du compartiment réfrigérateur pour basculer entre les compartiments réfrigérateur et congélateur.

9. Indicateur du compartiment réfrigérateur

La lumière du compartiment congélateur s'allume lors du réglage de la température du compartiment congélateur.

10. Indicateur de mode Economie

Ce bouton indique que le réfrigérateur fonctionne en mode d'économie d'énergie. Cet indicateur sera actif si la température du compartiment congélateur est réglé sur +5°F/-15 °C.

Avertissement - Porte ouverte **(Cette fonction peut varier suivant le type de porte installé sur le produit et peut ne pas exister sur certains modèles.)**

Un signal d'avertissement sonore sera donné lorsque la porte du congélateur/ réfrigérateur de votre produit restera ouverte pendant au moins 1 minute. Cet avertissement s'arrête en refermant la porte est fermée ou en appuyant sur n'importe quel bouton de l'affichage.

Système de réfrigération Dual :

Votre congélateur / réfrigérateur est équipé de deux systèmes de réfrigération séparés destinés à refroidir le compartiment des aliments frais et le compartiment congélateur. Ainsi, l'air du compartiment des produits frais et l'air du compartiment congélateur ne sont pas mélangés. Grâce à ce système de réfrigération séparée, les vitesses de réfrigération sont beaucoup plus élevées que pour des congélateur / réfrigérateurs normaux. Les odeurs des compartiments ne sont pas mélangées et, une économie d'énergie supplémentaire est réalisée car la décongélation se fait individuellement.

Congélation des produits frais

- Enveloppez ou couvrez vos aliments avant de les placer au congélateur / réfrigérateur.
 - Laissez refroidir les aliments à la température ambiante avant de les placer au congélateur / réfrigérateur.
 - Les denrées que vous souhaitez congeler doivent être fraîches et en bon état.
- Il est conseillé de séparer les denrées en portions en fonction des besoins quotidiens de votre famille ou par repas.
 - Les denrées doivent être emballées hermétiquement afin d'éviter qu'elles ne s'assèchent, même si elles ne doivent être conservées qu'une courte période.
 - Les matériaux utilisés pour l'emballage doivent résister aux déchirures, au froid, à l'humidité, et doivent être imperméables aux odeurs, aux graisses et aux acides et être hermétiques. Par ailleurs, ils doivent fermer correctement et être composés de matériaux simples d'utilisation et adaptés à un usage dans un congélateur.
 - Les denrées congelées doivent être consommées immédiatement après leur décongélation et elles ne doivent jamais être recongelées.
 - Veuillez respecter les instructions suivantes afin d'obtenir les meilleurs résultats.
1. Ne congelez pas une quantité trop importante à la fois. La qualité des aliments est préservée de façon optimale lorsqu'ils sont entièrement congelés aussi rapidement que possible.
 2. Le fait d'introduire des aliments chauds dans le congélateur entraîne le fonctionnement du système de refroidissement en continu jusqu'à ce que les aliments soient entièrement congelés.
 3. Faites particulièrement attention à ne pas mélanger les produits déjà congelés et les produits frais.

Réglage du compartiment de congélation	Réglage du compartiment de réfrigération	Explications
5°F/-15 °C	40°F/4 °C.	Voici le réglage normal recommandé.
-18°C/0°C or -5°F -21°C	40°F/4 °C.	Ces réglages sont recommandés lorsque la température ambiante dépasse 86°F/4 °C
Congélation rapide	40°F/4 °C.	Cet indicateur est utilisé lorsque vous voulez congeler vos denrées pendant une courte période. Le congélateur / réfrigérateur retournera à son mode de fonctionnement précédent lorsque le processus sera terminé.
-15°C/5°F ou plus froid	37°F/2 °C.	Si vous pensez que le compartiment de réfrigération n'est pas assez froid à cause de la chaleur ou des ouvertures / fermetures fréquentes de la porte.
-15°C/5°F ou plus froid	Réfrigération rapide	Vous pouvez utiliser ce réglage lorsque le compartiment de réfrigération est surchargé ou lorsque vous souhaitez refroidir rapidement vos denrées. Il est conseillé d'activer la fonction de réfrigération rapide pendant 4 à 8 heures de temps avant d'introduire les denrées.

Utilisation recommandée température: FF: 4°C /40 °F Frz : -15°C/5 °F

Recommandations concernant la conservation des aliments congelés

- Pour un compartiment destiné aux denrées congelées **✱***** (4 étoiles), les aliments préemballés et surgelés, destinés à un usage commercial, doivent être conservés conformément aux instructions du fabricant de produits congelés.
- Afin de veiller à ce que la qualité supérieure recherchée par le fabricant et le détaillant des produits congelés soit atteinte, il convient de se rappeler les points suivants :
 1. Mettre les emballages dans le congélateur aussi rapidement que possible après achat.
 2. S'assurer que le contenu est étiqueté et daté.
 3. Ne pas dépasser les dates « à consommer avant le » et « à consommer de préférence avant le » figurant sur l'emballage.

Dégivrage

Le compartiment congélateur se dégivre automatiquement.

Disposition des denrées

Clayettes du compartiment congélation	Différentes denrées congelées comme de la viande, du poisson, des crèmes glacées, des légumes, etc.
Bac à œufs	Œufs
Clayettes du compartiment de réfrigération	Nourriture dans des casseroles, assiettes couvertes et récipients fermés
Balconnets de la porte du compartiment de réfrigération	Produits ou boissons de petite taille et sous emballage (comme du lait, des jus de fruits ou de la bière)
Bac à légumes	Fruits et légumes
Compartiment Fraîcheur	Produits délicats (fromage, beurre, salami, etc.)

⚠ AVERTISSEMENT !

- Il est conseillé de séparer les denrées en portions en fonction des besoins quotidiens de votre famille ou par repas.
- Les denrées doivent être emballées hermétiquement afin d'éviter qu'elles ne s'assèchent, même si elles ne doivent être conservées qu'une courte période.

Matériaux nécessaires à l'emballage :

- Bande adhésive résistant au froid
- Etiquette autocollante
- Elastiques en caoutchouc
- Stylo

Les matériaux utilisés pour l'emballage des denrées doivent résister aux déchirures, au froid, à l'humidité, et doivent être imperméables aux odeurs, aux graisses et aux acides.

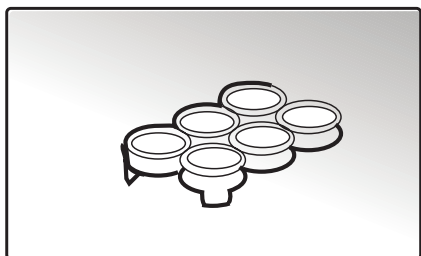
Il faut éviter que les denrées à congeler n'entrent en contact avec des aliments déjà congelés afin d'empêcher le dégel partiel de ces aliments.

Les denrées congelées doivent être consommées immédiatement après leur décongélation et elles ne doivent jamais être recongelées.

Bac à œufs

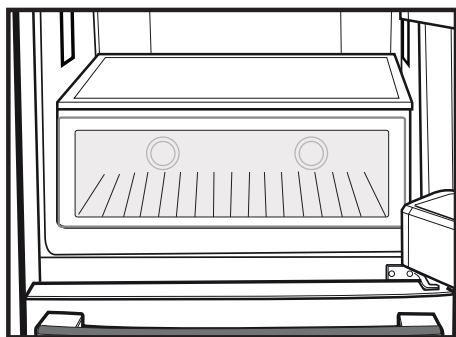
Vous pouvez installer le bac à œufs sur un balconnet ou où vous le souhaitez.

Ne placez jamais le support à œufs dans le compartiment de congélation.



Éclairage bleu (sur certains modèles)

Les denrées conservées dans les bacs à légumes sont éclairées par une lumière bleue qui, grâce aux effets de sa longueur d'onde, permet aux fruits et légumes de continuer la photosynthèse et ainsi de conserver leur fraîcheur et leur teneur en vitamines.

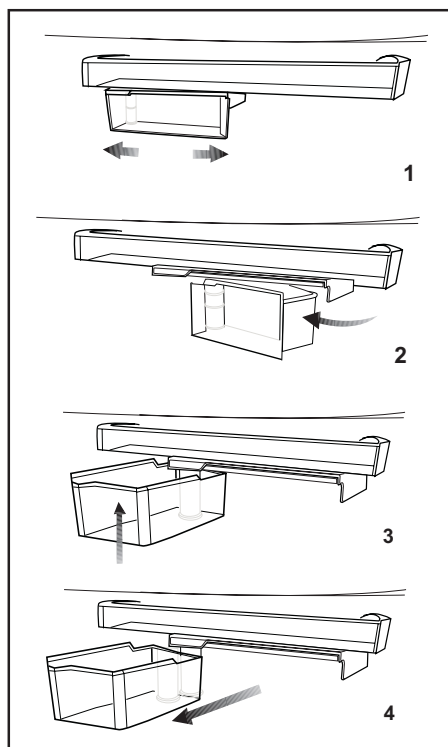


Récipient de conservation rotatif

Vous pouvez faire glisser l'étagère coulissante vers la gauche ou vers la droite afin d'introduire les bouteilles de grande taille, les bocaux, ou les boîtes dans un compartiment inférieur (Fig. 1).

Vous pouvez obtenir les denrées alimentaires placées sur l'étagère en saisissant celle-ci et en la retournant à partir de son côté droit (Fig.2).

Lorsque vous voulez y mettre des aliments ou l'enlever pour la nettoyer, retournez-la dans un angle de 90 degrés, soulevez-la et tirez-la vers-vous (Fig.3-4).



Distributeur et récipient de conservation de glaçons

Utilisation du distributeur

Remplissez le distributeur de glaçons avec de l'eau et remettez-le à sa place. Vos glaçons seront prêts dans environ deux heures. Ne pas retirer le distributeur de glaçons de son logement pour prendre de la glace.

Tournez les boutons dans le sens des aiguilles d'une montre, de manière à former un angle de 90 degrés.

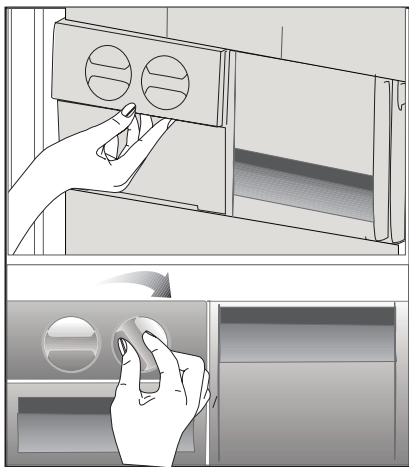
Les glaçons contenus dans les cellules tomberont dans le récipient de conservation de glaçons situé en dessous.

Vous pouvez alors sortir le récipient de conservation de glaçons et servir les glaçons.

Si vous le désirez, vous pouvez laisser les glaçons dans leur récipient de conservation.

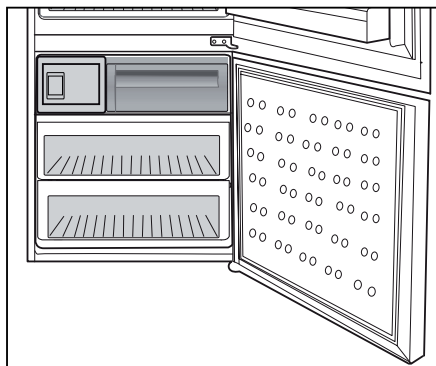
Récipient de conservation de glaçons

Le récipient de conservation de glaçons sert simplement à accumuler les glaçons. Ne versez pas d'eau à l'intérieur. Cela peut le casser.



Machine à glace (sur certains modèles)

Le système de Machine à glace automatique permet d'obtenir facilement des glaçons. Après avoir raccordé le tuyau d'alimentation en eau, vous pourrez retirer la glace du tiroir à glace. Les premiers glaçons seront prêts en 2 heures dans le tiroir à glace du Machine à glace situé dans le compartiment congélateur. Ne versez pas d'eau dedans pour faire de la glace car cela pourrait l'endommager. Le bac à glace n'est pas prévu pour y entreposer des aliments.

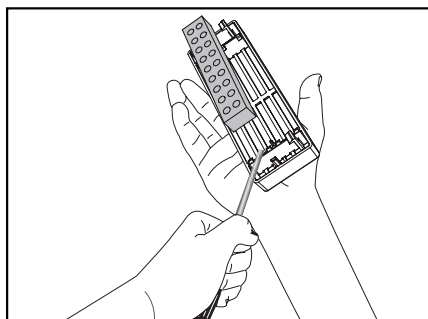
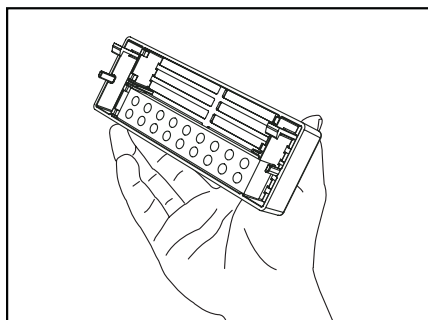
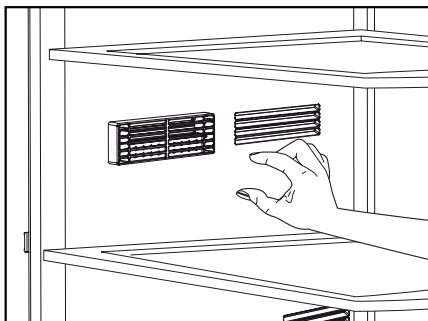


Description et nettoyage du filtre à odeurs :

Le filtre à odeurs empêche la formation d'odeurs désagréables dans votre réfrigérateur.

Tirez vers le bas le couvercle dans lequel le filtre à odeurs est installé et enlevez-le tel qu'illustré. Exposez le filtre à la lumière directe du soleil pendant un jour. Cela contribuera à nettoyer le filtre. Remettez le filtre en place.

Le filtre à odeurs doit être nettoyé une fois l'an.



6 Entretien et nettoyage

- ⚠ N'utilisez jamais d'essence, de benzène ou de matériaux similaires pour le nettoyage.
- ⚠ Nous vous recommandons de débrancher l'appareil avant de procéder au nettoyage.
- ℹ N'utilisez jamais d'ustensiles tranchants, savon, produit de nettoyage domestique, détergent et cirage pour le nettoyage.
- ℹ Utilisez de l'eau tiède pour nettoyer la carrosserie du congélateur / réfrigérateur et séchez-la soigneusement à l'aide d'un chiffon.
- ℹ Utilisez un chiffon humide imbibé d'une solution composée d'une cuillère à café de bicarbonate de soude pour un demi litre d'eau pour nettoyer l'intérieur et séchez soigneusement.
- ⚠ Prenez soin de ne pas faire couler d'eau dans le logement de la lampe et dans d'autres éléments électriques.
- ⚠ En cas de non utilisation de votre congélateur / réfrigérateur pendant une période prolongée, débranchez le câble d'alimentation, sortez toutes les denrées, nettoyez-le et laissez la porte entrouverte.
- ℹ Inspectez les joints de porte régulièrement pour vérifier qu'ils sont propres et qu'il n'y a pas de résidus de nourriture.

- ℹ Pour retirer les balconnets de portes, sortez tout son contenu puis poussez simplement le balconnet vers le haut à partir de la base.
- ℹ Ne jamais utiliser des produits nettoyants ou de l'eau contenant du chlore pour le nettoyage des surfaces externes et des pièces chromées du produit. Le chlore entraîne la corrosion de ces surfaces métalliques.

Protection des surfaces en plastique.

- Ne placez pas d'huiles ou de plats huileux dans le congélateur / réfrigérateur dans des récipients non fermés, car les graisses peuvent endommager les surfaces en plastique du congélateur / réfrigérateur. Si vous versez ou éclaboussez de l'huile sur les surfaces en plastique, nettoyez et lavez les parties souillées avec de l'eau chaude immédiatement.

7 Dépannage

Veuillez vérifier la liste suivante avant d'appeler le service après-vente. Cela peut vous faire économiser du temps et de l'argent. Cette liste regroupe les problèmes les plus fréquents ne provenant pas d'un défaut de fabrication ou d'utilisation du matériel. Il se peut que certaines des fonctions décrites ne soient pas présentes sur votre produit.

Le congélateur/réfrigérateur ne fonctionne pas.

- La fiche n'est pas insérée correctement dans la prise. >>> **Insérez correctement la fiche dans la prise.**
- Est-ce que le fusible ou la douille de raccord du congélateur/réfrigérateur sont connectés ou est-ce que le fusible principal a sauté ? >>> **Vérifiez le fusible.**

Condensation sur la paroi intérieure du compartiment congélateur/réfrigérateur. (MULTIZONE, COOL CONTROL et FLEXI ZONE).

- La température ambiante est très froide. >>> **N'installez pas le congélateur/réfrigérateur dans des endroits où la température peut être inférieure à 10 °C.**
- La porte a été ouverte souvent. >>> **Évitez d'ouvrir et de fermer la porte du congélateur/réfrigérateur souvent.**
- La température ambiante est très humide. >>> **N'installez pas votre congélateur/réfrigérateur dans des endroits très humides.**
- La nourriture contenant du liquide est conservée dans des récipients ouverts. >>> **Ne conservez pas de la nourriture avec du contenu liquide dans des récipients ouverts.**
- La porte du congélateur/réfrigérateur est laissée entrouverte. >>> **Fermez la porte du congélateur/réfrigérateur.**
- Le thermostat est réglé à un niveau très froid. >>> **Réglez le thermostat à un niveau adapté.**

Le compresseur ne fonctionne pas.

- **i** Le dispositif de protection thermique du compresseur sautera en cas de coupures soudaines du courant ou de débranchement intempestif, en effet la pression du liquide réfrigérant du système de refroidissement ne sera pas équilibrée. Le congélateur/réfrigérateur recommencera à fonctionner normalement après 6 minutes environ. Veuillez contacter le service après-vente si le congélateur/réfrigérateur ne redémarre pas après cette période.
- Le congélateur/réfrigérateur est en mode de dégivrage. >>> **Cela est normal pour un congélateur/réfrigérateur à dégivrage semi-automatique. Le cycle de dégivrage se déclenche régulièrement.**
- Le congélateur/réfrigérateur n'est pas branché à la prise. >>> **Assurez-vous que la prise est branchée à la prise murale.**
- Les réglages de température ne sont pas effectués correctement. >>> **Sélectionnez la température appropriée.**
- Il y a une panne de courant. >>> **Le congélateur/réfrigérateur recommence à fonctionner normalement après le retour du courant.**

Le niveau sonore augmente lorsque le congélateur/réfrigérateur est en marche.

i Les caractéristiques de performance du congélateur/réfrigérateur peuvent changer en raison des variations de la température ambiante. Cela est normal et n'est pas un défaut.

Le congélateur/réfrigérateur fonctionne fréquemment ou pendant de longues périodes.

i Votre nouveau congélateur/réfrigérateur est peut être plus large que l'ancien. Les grands congélateur/réfrigérateurs durent plus longtemps.

- La température ambiante peut être élevée. >>> **Il est normal que l'appareil fonctionne pendant plus longtemps quand la température ambiante est élevée.**
- Le congélateur/réfrigérateur a été branché ou rempli avec de la nourriture récemment. >>> **Quand le congélateur/réfrigérateur a été branché ou rempli avec de la nourriture récemment, il prendra plus de temps pour atteindre la température réglée. Ce phénomène est normal.**
- D'importantes quantités de denrées chaudes ont peut être été introduites dans le congélateur/réfrigérateur récemment. >>> **Ne mettez pas de nourriture chaude dans le congélateur/réfrigérateur.**
- Les portes ont peut être été ouvertes fréquemment ou laissées entrouvertes pendant une durée prolongée. >>> **L'air chaud qui entre dans le congélateur/réfrigérateur le fait fonctionner pendant de plus longues périodes. N'ouvrez pas les portes fréquemment.**
- La porte du congélateur ou du congélateur/réfrigérateur est laissée entrouverte. >>> **Vérifiez que les portes sont bien fermées.**
- Le congélateur/réfrigérateur est réglé à une température très basse. >>> **Réglez la température du congélateur/réfrigérateur à un degré supérieur et attendez jusqu'à ce que la température soit bonne.**
- Le joint de la porte du congélateur/réfrigérateur ou du congélateur peut être sale, déchiré, rompu ou mal en place. >>> **Nettoyez ou remplacez le joint. Tout joint endommagé/déchiré fait fonctionner le congélateur/réfrigérateur pendant une période de temps plus longue afin de conserver la température actuelle.**

La température du congélateur est très basse alors que celle du congélateur/réfrigérateur est correcte.

- La température du congélateur est réglée à une température très basse. >>> **Réglez la température du congélateur à un niveau supérieur et vérifiez.**

La température du congélateur/réfrigérateur est très basse alors que celle du congélateur est correcte.

- La température du congélateur/réfrigérateur est réglée à une température très basse. >>> **Réglez la température du congélateur/réfrigérateur à un degré supérieur et vérifiez.**

Les denrées conservées dans les tiroirs du compartiment de réfrigération congèlent.

- La température du congélateur/réfrigérateur est réglée à une température très basse. >>> **Réglez la température du congélateur/réfrigérateur à un niveau inférieur et vérifiez.**

La température dans le congélateur/réfrigérateur ou le congélateur est très élevée.

- La température du congélateur/réfrigérateur est réglée à une température très basse. >>> **Le réglage du congélateur/réfrigérateur a un effet sur la température du congélateur. Changez les températures du congélateur/réfrigérateur ou congélateur et attendez jusqu'à ce que les compartiments atteignent une température suffisante.**
- Les portes ont peut être été ouvertes fréquemment ou laissées entrouvertes pendant une durée prolongée. >>> **N'ouvrez pas les portes fréquemment.**
- La porte est entrouverte. >>> **Refermez complètement la porte.**
- Le congélateur/réfrigérateur a été branché ou rempli avec de la nourriture récemment. >>> **Ce phénomène est normal. Quand le congélateur/réfrigérateur a été branché ou rempli avec de la nourriture récemment, il prend plus de temps pour atteindre la température réglée.**
- D'importantes quantités de denrées chaudes ont peut être été introduites dans le congélateur/réfrigérateur récemment. >>> **Ne mettez pas de nourriture chaude dans le congélateur/réfrigérateur.**

Vibrations ou bruits

- Le sol n'est pas plat ou stable. >>> **Si le congélateur/réfrigérateur se balance quand il est déplacé lentement, équilibrez-le en ajustant ses pieds. Assurez-vous que le sol est plat et suffisamment solide pour supporter le congélateur/réfrigérateur.**
- Les éléments placés sur le congélateur/réfrigérateur peuvent faire du bruit. >>> **Enlevez les éléments du haut du congélateur/réfrigérateur.**

Le congélateur/réfrigérateur produit des bruits semblables à de l'eau qui coule ou à la pulvérisation d'un liquide.

- ❗ Des écoulements de gaz et de liquides se produisent dans le congélateur/réfrigérateur, de par ses principes de fonctionnement. Cela est normal et n'est pas un défaut.

Un sifflement sort du congélateur/réfrigérateur.

- ❗ Les ventilateurs sont utilisés pour refroidir le congélateur/réfrigérateur. Cela est normal et n'est pas un défaut.

Condensation sur les parois intérieures du congélateur/réfrigérateur.

<p>i Un temps chaud et humide augmente la formation de givre et de condensation. Cela est normal et n'est pas un défaut.</p> <ul style="list-style-type: none"> • Les portes ont peut être été ouvertes fréquemment ou laissées entrouvertes pendant une durée prolongée. >>> N'ouvrez pas les portes fréquemment. Fermez-les si elles sont ouvertes. • La porte est entrouverte. >>> Refermez complètement la porte.
<p>De l'humidité est présente à l'extérieur ou entre les portes du congélateur/réfrigérateur.</p>
<p>i Il y a peut être de l'humidité dans l'air ; ceci est tout à fait normal par un temps humide. Lorsque l'humidité diminuera, la condensation disparaîtra.</p>
<p>Présence d'une mauvaise odeur dans le congélateur/réfrigérateur.</p>
<ul style="list-style-type: none"> • Il n'y a pas de nettoyage régulier effectué. >>> Nettoyez l'intérieur du congélateur/réfrigérateur avec une éponge, de l'eau tiède ou du bicarbonate de soude dilué dans de l'eau. • Certains récipients ou matériaux d'emballage peuvent provoquer ces odeurs. >>> Utilisez un autre récipient ou changez de marque de matériau d'emballage. • Les denrées sont mises au congélateur/réfrigérateurs dans des récipients sans couvercle. >>> Conservez les denrées liquides dans des récipients fermés. Les micro-organismes issus de récipients non fermés peuvent dégager des odeurs désagréables.
<p>i Enlevez les aliments périmés et pourris du congélateur/réfrigérateurs.</p>
<p>La porte ne se ferme pas.</p>
<ul style="list-style-type: none"> • Des récipients empêchent la fermeture de la porte. >>> Remplacez les emballages qui obstruent la porte. • Le congélateur/réfrigérateur n'est pas complètement vertical sur le sol. >>> Ajustez les pieds pour équilibrer le congélateur/réfrigérateur. • Le sol n'est pas plat ou solide. >>> Assurez-vous que le sol est plat et qu'il peut supporter le congélateur/réfrigérateur.
<p>Les bacs à légumes sont coincés.</p>
<ul style="list-style-type: none"> • Il se peut que les denrées touchent le plafond du tiroir. >>> Disposez à nouveau les denrées dans le tiroir.

Lea este manual antes de utilizar el frigorífico.

Estimado cliente:

Esperamos que este producto, que ha sido fabricado en plantas dotadas de la más avanzada tecnología y sometido a los más estrictos procedimientos de control de calidad, le preste un servicio eficaz.




Para ello, le recomendamos que lea atentamente el presente manual antes de utilizar el producto, y que lo tenga a mano para futuras consultas.

Este manual

- Le ayudará a usar el electrodoméstico de manera rápida y segura.
- Lea el manual antes de instalar y poner en funcionamiento el producto.
- Siga las instrucciones, en particular las relacionadas con la seguridad.
- Conserve el manual en un sitio de fácil acceso, ya que podría necesitarlo en el futuro.
- Además, lea también otros documentos suministrados junto con el producto. Tenga en cuenta que este manual también podría ser válido para otros modelos.

Símbolos y sus descripciones

El presente manual de instrucciones emplea los siguientes símbolos:

-  Información importante o consejos útiles sobre el funcionamiento.
-  Advertencia sobre situaciones peligrosas para la vida y la propiedad.
-  Advertencia acerca de la tensión eléctrica.

ÍNDICE

1 Frigorífico 3

2 Información importante sobre seguridad 4

Finalidad prevista.....	4
Productos equipados con dispensador de agua:.....	6
Seguridad infantil.....	6
Conformidad con la normativa WEEE y eliminación del aparato al final de su vida útil:	7
Cumplimiento de la directiva RoHS:...	7
Información sobre el embalaje	7
Advertencia sobre la seguridad de la salud	7
Consejos para el ahorro de energía ...	8
Recomendaciones para el compartimento de alimentos frescos .	9

3 Instalación 10

Cuestiones a considerar a la hora de transportar el frigorífico.....	10
Antes de usar el frigorífico.....	10
Eliminación del embalaje.....	10
Eliminación de su viejo frigorífico.....	11
Colocación e instalación	11
Ajuste de los pies	11
Cambio de la bombilla de iluminación	11
Conexiones de agua.....	12
Conexión de la manguera de agua al frigorífico.....	12
Conexión de la manguera de agua al suministro de agua fría.....	13
Filtro de agua.....	14
Montaje mural del filtro externo.....	14

4 Preparación 15

5 Uso del frigorífico 17

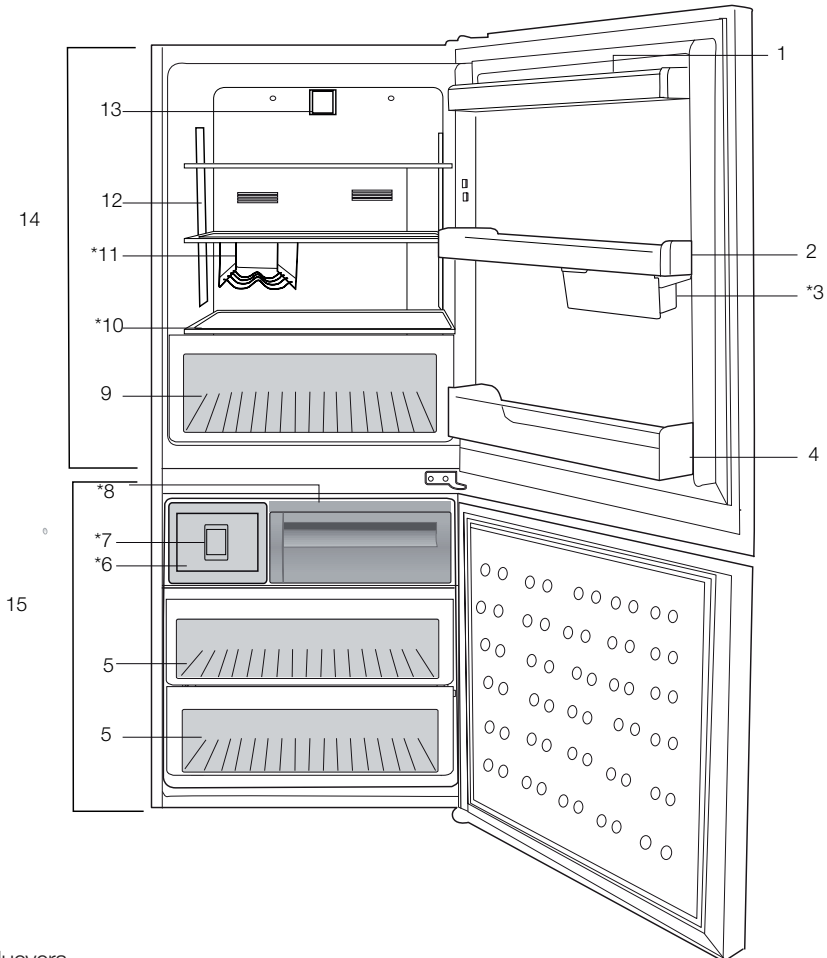
Panel indicador.....	17
Aviso de puerta abierta.....	19
Doble sistema de enfriamiento:.....	19
Congelación de alimentos frescos ...	19
Recomendaciones para la conservación de alimentos congelados.....	20
Colocación de los alimentos	21
Bandeja para huevos.....	22
Luz azul.....	22
Contenedor de almacenamiento giratorio	22
Icematic y contenedor de almacenamiento de hielo	23
Descripción y limpieza del filtro antiolores:.....	24

6 Mantenimiento y limpieza 25

Protección de las superficies de plástico.....	25
--	----

7 Sugerencias para la solución de problemas 26

1 Frigorífico



1. Huevera
 2. Estante del compartimento refrigerador
 3. Recipientes deslizantes y giratorios
 4. Estante para botellas
 5. Cajones del compartimento congelador
 6. Contenedor de hielo
 7. máquina de hielo
 8. Cajón del compartimento de enfriamiento rápido
 9. Cajón de frutas y verduras
 10. Estantes de vidrio ajustables
 11. Botellero
 12. Lente de iluminación
 13. Ventilador
 14. Compartimento frigorífico
 15. Compartimento congelador
- * OPCIONAL**

i Las ilustraciones incluidas en el presente manual de instrucciones son esquemáticas y puede que no se adecúen a su aparato con exactitud. Si alguno de los elementos reflejados no se corresponde con el aparato que usted ha adquirido, entonces será válido para otros modelos.

2 Información importante sobre seguridad

Lea con atención la siguiente información. No tener en cuenta dicha información podría acarrear lesiones o daños materiales. En tal caso, las garantías y los compromisos de fiabilidad quedarían anulados.

La vida útil de la unidad adquirida es de 10 años. Éste es el período durante el cual se garantiza la disponibilidad de las piezas de repuesto para la unidad.

Finalidad prevista

Este aparato está diseñado para usarse en los siguientes entornos:

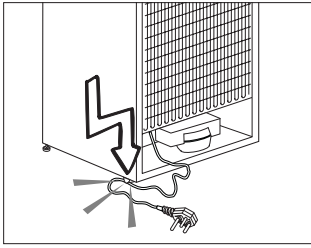
- interiores y entornos cerrados tales como domicilios particulares;
 - entornos cerrados de trabajo tales como almacenes u oficinas;
 - zonas de servicio cerradas tales como casas rurales, hoteles o pensiones.
- Este aparato no se debe usar al aire libre.

Seguridad general

- Cuando desee deshacerse del aparato, le recomendamos que solicite a su servicio técnico autorizado la información necesaria a este respecto, así como la relación de entidades locales a las que puede dirigirse.
- En caso de dudas o problemas, diríjase a su servicio técnico autorizado. No intente reparar el frigorífico sin consultar con el servicio técnico, ni deje que nadie lo haga.

- Para aparatos equipados con un compartimento congelador: no consuma los helados o cubitos de hielo inmediatamente después de sacarlos del compartimento congelador, ya que podría sufrir daños en su boca a causa del frío.
- Para aparatos equipados con un compartimento congelador: no deposite bebidas embotelladas o enlatadas en el compartimento congelador, ya que podrían estallar.
- No toque con la mano los alimentos congelados, ya que podrían adherirse a ella.
- Desenchufe su frigorífico antes de proceder a su limpieza o deshielo.
- No utilice nunca materiales de limpieza que usen vapor para limpiar o descongelar el frigorífico. El vapor podría entrar en contacto con los elementos eléctricos y causar cortocircuitos o descargas eléctricas.
- No utilice nunca elementos del frigorífico tales como la puerta como medio de sujeción o como escalón.
- No utilice aparatos eléctricos en el interior del frigorífico.
- Evite dañar el circuito del refrigerante con herramientas cortantes o de perforación. El refrigerante que puede liberarse si se perforan los canales de gas del evaporador, los conductos o los recubrimientos de las superficies causa irritaciones en la piel y lesiones en los ojos.
- No cubra ni bloquee los orificios de ventilación de su frigorífico con ningún material.

- Deje la reparación de los aparatos eléctricos únicamente en manos de personal autorizado. Las reparaciones realizadas por personas incompetentes generan riesgos para el usuario.
- En caso de fallo o cuando vaya a realizar cualquier operación de reparación o mantenimiento, desconecte el frigorífico de la corriente apagando el fusible correspondiente o bien desenchufando el aparato.
- No desenchufe el aparato de la toma de corriente tirando del cable.
- Coloque las bebidas de mayor graduación alcohólica juntas y en posición vertical.
- No almacene en el frigorífico aerosoles que contengan sustancias inflamables o explosivas.
- No utilice dispositivos mecánicos u otros medios para acelerar el proceso de deshielo distintos de los recomendados por el fabricante.
- Este aparato no debe ser utilizado por niños o por personas con sus facultades físicas, sensoriales o mentales reducidas o bien que carezcan de la experiencia y los conocimientos necesarios, a menos que lo hagan bajo la supervisión de personas responsables de su seguridad o bien tras haber recibido instrucciones de uso por parte de dichas personas.
- No utilice un frigorífico que haya sufrido daños. Consulte con el servicio de atención al cliente en caso de duda.
- La seguridad eléctrica de su frigorífico sólo estará garantizada si el sistema de toma de tierra de su domicilio se ajusta a los estándares.
- Desde el punto de vista de la seguridad eléctrica, es peligroso exponer el aparato a la lluvia, la nieve o el viento.
- Póngase en contacto con el servicio técnico autorizado en caso de que el cable de alimentación principal se dañe, para evitar cualquier peligro.
- Nunca enchufe el frigorífico en la toma de corriente durante su instalación. Existe peligro de lesiones graves e incluso de muerte.
- Este frigorífico está únicamente diseñado para almacenar alimentos. No debe utilizarse para ningún otro propósito.
- La etiqueta que contiene los datos técnicos del frigorífico se encuentra en la parte interior izquierda del mismo.
- Jamás conecte el frigorífico a sistemas de ahorro de electricidad, ya que podría dañarlo.
- Si el frigorífico está equipado con una luz azul, no la mire a través de dispositivos ópticos.
- En los frigoríficos de control manual, si se produce un corte del fluido eléctrico espere al menos 5 minutos antes de volver a ponerlo en marcha.
- Cuando entregue este aparato a un nuevo propietario, asegúrese de entregar también este manual de instrucciones.
- Tenga cuidado de no dañar el cable de alimentación al transportar el frigorífico. Doblar el cable podría causar un incendio. Nunca deposite objetos pesados encima del cable de alimentación. No toque el enchufe con las manos mojadas para conectar el aparato.



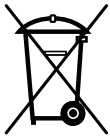
- No enchufe el refrigerador si el enchufe no encaja con firmeza en la toma de corriente de la pared.
 - Por razones de seguridad, no pulverice agua directamente en las partes interiores o exteriores de este aparato.
 - No rocíe cerca del refrigerador sustancias que contengan gases inflamables tales como gas propano para evitar riesgos de incendio y explosiones.
 - Nunca coloque recipientes con agua sobre el refrigerador, ya que podría provocar una descarga eléctrica o un incendio.
 - No deposite cantidades excesivas de alimentos en el refrigerador. Si lo hace, al abrir la puerta del refrigerador los alimentos podrían caerse y provocar lesiones personales o dañar el refrigerador. Nunca coloque objetos sobre el refrigerador, ya que podrían caer al abrir o cerrar la puerta.
 - No guarde en el refrigerador productos que necesiten un control preciso de la temperatura tales como vacunas, medicamentos sensibles al calor, materiales científicos, etc.
 - Desenchufe el refrigerador si no lo va a utilizar durante un periodo prolongado de tiempo. Un problema en el cable de alimentación podría causar un incendio.
- Limpie regularmente la punta del enchufe, ya que de lo contrario puede provocar un incendio.
 - Limpie regularmente la punta del enchufe con un paño seco; de lo contrario podría provocarse un incendio.
 - El refrigerador podría moverse si los pies no están adecuadamente asentados en el suelo. Fijar adecuadamente los pies del refrigerador en el suelo puede ayudar a evitar que se mueva.
 - Cuando transporte el refrigerador, no lo aferre del asa de la puerta. De lo contrario, podría romperla.
 - Cuando tenga que colocar el refrigerador cerca de otro refrigerador o congelador, deberá dejar un espacio entre ambos aparatos de 8 cm como mínimo. De lo contrario, podría formarse humedad en las paredes adyacentes.

Productos equipados con dispensador de agua:

La presión de la red de suministro de agua debe ser de un mínimo de 1 bar. La presión de la red de suministro de agua debe ser de 8 bares como máximo.

- Use agua potable únicamente.
- ### **Seguridad infantil**
- Si la puerta tiene cerradura, mantenga la llave fuera del alcance de los niños.
 - Vigile a los niños para evitar que manipulen el aparato.

Conformidad con la normativa WEEE y eliminación del aparato al final de su vida útil:



Este producto es conforme con la directiva de la UE sobre residuos de aparatos eléctricos y electrónicos (WEEE) (2012/19/UE). Este producto incorpora el símbolo de la clasificación selectiva para los residuos de aparatos eléctricos y electrónicos (WEEE). Este aparato se ha fabricado con piezas y materiales de primera calidad, que pueden ser reutilizados y son aptos para el reciclado. No se deshaga del producto junto con sus residuos domésticos normales y de otros tipos al final de su vida útil. Llévelo a un centro de reciclaje de dispositivos eléctricos y electrónicos. Solicite a las autoridades locales información acerca de dichos centros de recogida.

Cumplimiento de la directiva RoHS:

El producto que ha adquirido es conforme con la directiva de la UE sobre la restricción de sustancias peligrosas (RoHS) (2011/65/UE). No contiene ninguno de los materiales nocivos o prohibidos especificados en la directiva.

Información sobre el embalaje

El embalaje del aparato se fabrica con materiales reciclables, de acuerdo con nuestro Reglamento Nacional sobre Medio Ambiente. No elimine los materiales de embalaje junto con los residuos domésticos o de otro tipo. Llévelos a un punto de recogida de materiales de embalaje designado por las autoridades locales.

⚠ PELIGRO: Riesgo de que los niños queden atrapados. Antes de deshacerse de su viejo frigorífico o congelador:

- Retire las puertas.
- Deje los estantes en su sitio para evitar que los niños puedan meterse en el frigorífico con facilidad.

Advertencia sobre la seguridad de la salud

Si el sistema de refrigeración de su aparato contiene R600a:

Este gas es inflamable. Por lo tanto, procure no dañar el sistema de enfriamiento ni sus conductos durante el uso o el transporte del aparato. En caso de daños, mantenga el aparato alejado de fuentes potenciales de ignición que puedan provocar que éste sufra un incendio, y ventile la estancia en la que se encuentre el aparato.

⚠ PELIGRO – Riesgo de incendio o explosión. Se usa refrigerante inflamable. No use aparatos mecánicos para descongelar el frigorífico. Evite perforar los tubos de refrigerante.

⚠ PELIGRO – Riesgo de incendio o explosión. Se usa refrigerante inflamable. Las reparaciones deben correr a cargo únicamente de personal de asistencia adiestrado. Evite perforar los tubos de refrigerante.

⚠ PELIGRO – Riesgo de incendio o explosión. Se usa refrigerante inflamable. Consulte el manual de reparaciones o la guía del propietario antes de intentar reparar este producto. Es preciso observar todas las precauciones de seguridad.

⚠ PELIGRO – Riesgo de incendio o explosión. Deshágase del aparato adecuadamente, según lo dispuesto por las normativas nacionales o locales. Se usa refrigerante inflamable.

⚠ PRECAUCIÓN – Riesgo de incendio o explosión debido a la perforación de los tubos de refrigerante; siga las instrucciones cuidadosamente. Se usa refrigerante inflamable.

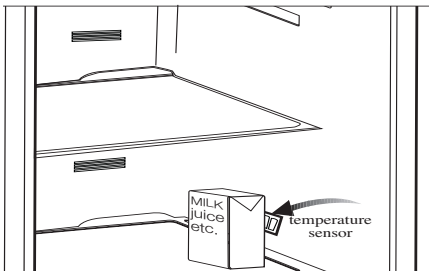
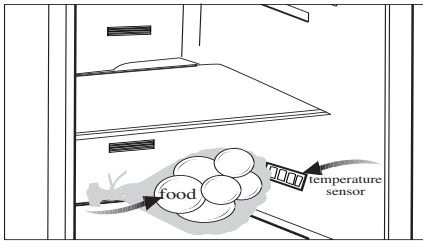
Consejos para el ahorro de energía

- No deje las puertas del frigorífico abiertas durante periodos largos de tiempo.
- No introduzca alimentos o bebidas calientes en el frigorífico.
- No sobrecargue el frigorífico, ya que entorpecería la circulación del aire en su interior.
- No instale el frigorífico de forma que quede expuesto a la luz solar directa o cerca de aparatos que irradian calor tales como hornos, lavavajillas o radiadores.
- Procure depositar los alimentos en recipientes cerrados.
- Productos equipados con compartimento congelador: puede disponer del máximo volumen para el depósito de alimentos retirando el estante o el cajón del congelador. El consumo energético que se indica para su frigorífico se ha calculado retirando el estante o el cajón del congelador y en condiciones de máxima carga. No existe ningún riesgo en la utilización de un estante o cajón según las formas o tamaños de los alimentos que se van a congelar.
- Descongele los alimentos congelados en el compartimento frigorífico; ahorrará energía y preservará la calidad de los alimentos.

Recomendaciones para el compartimento de alimentos frescos

* OPCIONAL

- No deje que los alimentos entren en contacto con el sensor de temperatura del compartimento de alimentos frescos. Para mantener el compartimento de alimentos frescos a una temperatura ideal para el almacenamiento, es necesario que el sensor no quede obstruido por los alimentos.
- No deposite comida caliente en el frigorífico.



3 Instalación

⚠ Recuerde que el fabricante declina toda responsabilidad en caso de incumplimiento de las instrucciones de este manual.

Cuestiones a considerar a la hora de transportar el frigorífico

1. El frigorífico debe estar vacío y limpio antes de proceder a su transporte.
2. Los estantes, accesorios, el cajón de frutas y verduras, etc., deben sujetarse con cinta adhesiva antes de embalar el frigorífico para evitar que se muevan.
3. Encinte el frigorífico una vez embalado con cinta gruesa y fijelo con cuerdas resistentes. Siga las reglas de transporte que encontrará impresas en el propio embalaje.

No olvide que:

El reciclaje de materiales es un asunto de vital importancia para la naturaleza y para los recursos del país.

Si desea contribuir al reciclaje de los materiales de embalaje, solicite más información a los responsables medioambientales de su zona o a las autoridades locales.

Antes de usar el frigorífico

Antes de empezar a usar el frigorífico, verifique lo siguiente:

4. El interior del frigorífico está seco y el aire puede circular con libertad por su parte posterior.
5. Es posible que las aristas delanteras del aparato se noten calientes al tacto, cosa que es perfectamente normal. Estas zonas deben permanecer calientes para evitar la condensación.

4. Introduzca 2 cuñas plásticas en la ventilación trasera, como se muestra en la figura siguiente. Las cuñas de plástico proporcionarán la distancia requerida entre su frigorífico y la pared para una correcta circulación del aire.

5. Conexiones eléctricas

Conecte el frigorífico a una toma de corriente provista de toma de tierra y protegida por un fusible de la capacidad adecuada.

Importante:

- La conexión debe cumplir con las normativas nacionales.
 - El enchufe de alimentación debe ser fácilmente accesible tras la instalación.
 - La tensión especificada debe corresponder a la tensión de la red eléctrica.
 - No use cables de extensión ni enchufes múltiples para conectar la unidad.
- ⚠ Todo cable de alimentación dañado debe ser reemplazado por un electricista cualificado.

⚠ No ponga en funcionamiento el aparato hasta que esté reparado, ya que existe peligro de cortocircuito.

Eliminación del embalaje

Los materiales de empaque pueden ser peligrosos para los niños. Manténgalos fuera de su alcance o deshágase de ellos clasificándolos según las instrucciones para la eliminación de residuos. No los tire junto con los residuos domésticos normales.

El embalaje del frigorífico se ha fabricado con materiales reciclables.

Eliminación de su viejo frigorífico

Deshágase de su viejo frigorífico de manera respetuosa con el medio ambiente.

- Consulte las posibles alternativas a un distribuidor autorizado o al centro de recogida de residuos de su municipio.

Antes de proceder a la eliminación del frigorífico, corte el enchufe y, si las puertas tuvieran cierres, destrúyalos para evitar que los niños corran riesgos.

Colocación e instalación

⚠ Si la puerta de entrada a la estancia donde va a instalar el frigorífico no es lo suficientemente ancha como para permitir su paso, solicite al servicio técnico que retire las puertas del frigorífico y lo pase de lado a través de la puerta.

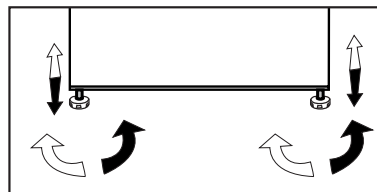
1. Instale el frigorífico en un lugar en el que pueda utilizarse con comodidad.
2. Mantenga el frigorífico alejado de fuentes de calor y lugares húmedos y evite su exposición directa a la luz solar.
3. Para que el frigorífico funcione con la máxima eficacia, debe instalarse en una zona que disponga de una ventilación adecuada. Si el frigorífico va a instalarse en un hueco de la pared, debe dejarse un mínimo de 5 cm de separación con el techo y de 5 cm con las paredes. Si el suelo está cubierto con una alfombra, deberá elevar el frigorífico 2,5 cm del suelo.
4. Coloque el frigorífico sobre una superficie lisa para evitar sacudidas.

5. No instale el frigorífico en estancias cuya temperatura ambiente sea inferior a 10 °C.

Ajuste de los pies

Si su frigorífico no está equilibrado:

Puede equilibrar el frigorífico girando los pies delanteros tal como se muestra en la ilustración. La esquina correspondiente al pie que está manipulando descenderá al girar el pie en la dirección de la flecha negra y se elevará al girarlo en la dirección opuesta. Le será más fácil realizar esta operación si le pide a alguien que levante ligeramente el frigorífico.



Cambio de la bombilla de iluminación

Para cambiar la bombilla utilizada para iluminar el frigorífico, póngase en contacto con el servicio técnico autorizado.

Cambio de la dirección de apertura de la puerta

Las puertas de este producto no pueden cambiarse de dirección.

Conexiones de agua

Dependiendo del modelo del frigorífico, puede conectarlo a un recipiente o a una conexión de agua. En primer lugar, conecte la manguera del agua al frigorífico.

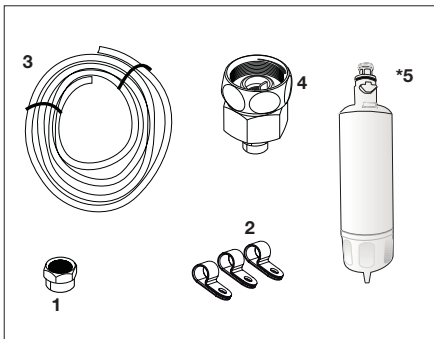
Si utiliza un recipiente, deberá utilizar una bomba separada.

ADVERTENCIA: Si utiliza una bomba con el frigorífico, deberán estar desenchufados durante la conexión.

Las piezas siguientes pueden no estar incluidas con el aparato, porque no son necesarias cuando se utiliza un recipiente.

Compruebe que se hayan incluido las piezas siguientes con el aparato:

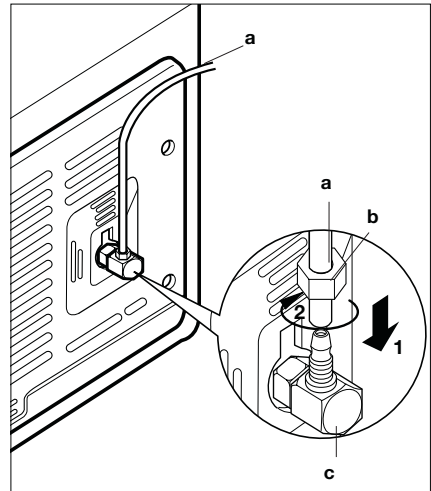
1. Racor para la conexión de la manguera de agua a la parte trasera del frigorífico
2. 3 abrazaderas de tubería (usadas para fijar la tubería del agua)
3. Tubería de agua de 5 metros (1/4" de diámetro)
4. Válvula para red de agua fría con filtro de malla (adaptador de grifo)
5. Filtro de agua externo. (Si hay una conexión a recipiente, no es necesario usar un filtro de agua.)



Conexión de la manguera de agua al frigorífico

1. Inserte la manguera de agua (a) en el racor (b).
2. Empuje la manguera del agua hacia abajo con fuerza para que se introduzca en la válvula de entrada de agua (c).
3. Apriete el racor (c) manualmente para fijarlo en la manguera de entrada de agua.

Normalmente, no se necesita una herramienta para apretar el racor. Sin embargo, puede utilizar una llave o alicate para apretar el racor si hay una fuga.



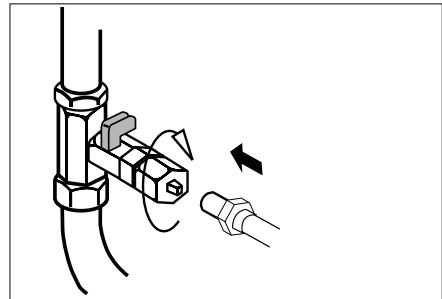
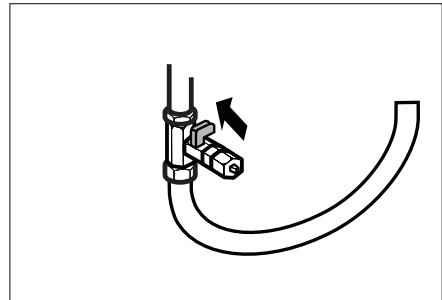
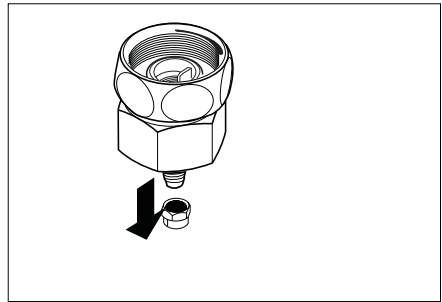
Conexión de la manguera de agua al suministro de agua fría (en algunos modelos)

Si va a utilizar el frigorífico conectándolo al suministro de agua fría, debe instalar un conector de válvula de 1/2" estándar en la instalación de agua fría de su vivienda. En caso de que esta válvula no esté presente o bien si tiene alguna duda al respecto, consulte a un fontanero cualificado.

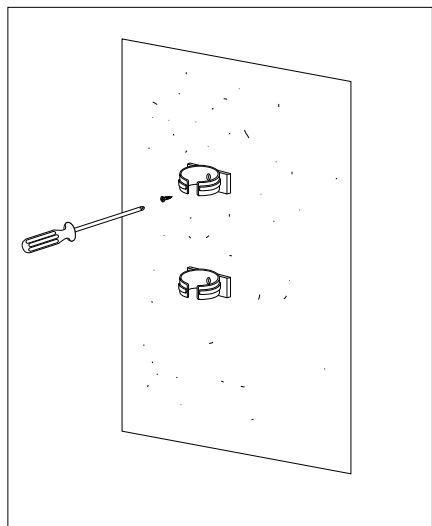
1. Separe el racor del adaptador de grifo.
2. Instale el adaptador de grifo a un conector de válvula de 1/2" estándar.
3. Una vez haya insertado la manguera de agua en el racor, instálela en el adaptador de grifo e inserte el racor en el grifo.
4. Apriete el racor manualmente.

ADVERTENCIA: Fije la manguera de agua en puntos adecuados por medio de las abrazaderas suministradas para evitar daños, desplazamientos o una desconexión accidental.

ADVERTENCIA: Una vez abierta la válvula del agua, asegúrese de que no haya ninguna pérdida en ninguno de los dos puntos de conexión de la manguera de agua. Si hay una fuga, cierre la válvula inmediatamente y apriete las juntas de nuevo mediante una llave o unos alicates.



ADVERTENCIA: Asegúrese de disponer del conector de válvula de 1/2" estándar y que esté completamente cerrado en el suministro de agua fría.



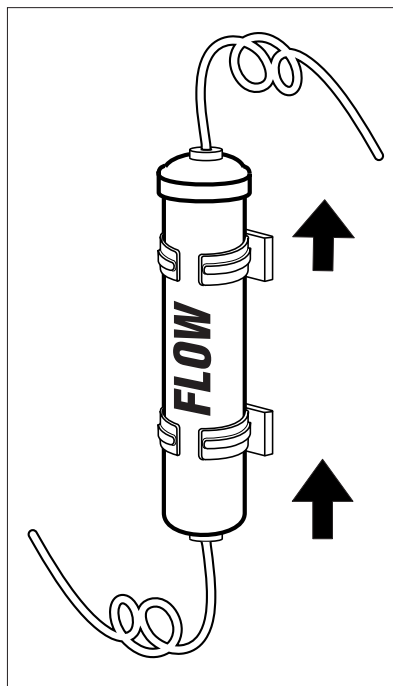
Filtro de agua

(en algunos modelos)

Su frigorífico puede estar equipado con un filtro interno o externo, dependiendo del modelo. Para la instalación del filtro de agua, siga las siguientes instrucciones y consulte las correspondientes ilustraciones:

Montaje mural del filtro externo

1. En primer lugar, determine la ubicación de montaje del filtro externo.
2. A continuación, determine la distancia entre el filtro y el grifo y el filtro y la entrada de agua, respectivamente. Prepare las mangueras con las longitudes necesarias.
3. Monte el kit de conexión del filtro en la pared con un destornillador y coloque el filtro.



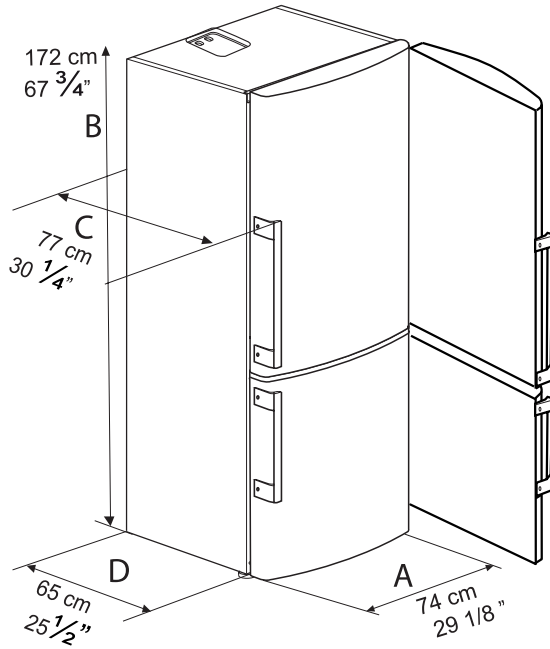
ADVERTENCIA: El filtro de agua se colocará en posición vertical, como se muestra en la figura. Es importante conectar las mangueras de entrada y salida de agua correctamente en el filtro.

Tras conectar el filtro, deseche los 10 primeros vasos de agua.

ADVERTENCIA: No monte el filtro sobre el frigorífico. Podría perforar los tubos de refrigerante.

4 Preparación

- i** El frigorífico debe instalarse dejando una separación no inferior a 30 cm respecto a fuentes de calor tales como quemadores, hornos, calefacciones o estufas y no inferior a 5 cm con respecto a hornos eléctricos, evitando asimismo su exposición directa a la luz solar.
- i** La temperatura ambiente de la estancia donde instale el frigorífico no debe ser inferior a 50°F/ 10°C. A temperaturas inferiores, el frigorífico puede ver reducida su eficacia.
- i** Asegúrese de limpiar meticulosamente el interior del frigorífico.
- i** En caso de que vaya a instalar dos frigoríficos uno al lado del otro, debe dejar una separación no inferior a 2 cm entre ellos.
- i** Al utilizar el frigorífico por primera vez, siga las siguientes instrucciones referentes a las primeras seis horas.
 - No abra la puerta con frecuencia.
 - No deposite alimentos en el interior.
 - No desenchufe el frigorífico. En caso de corte del suministro eléctrico ajeno a su voluntad, consulte las advertencias de la sección "Sugerencias para la solución de problemas".
- i** Guarde el embalaje original para futuros traslados.



(B) Altura (cm/inch) sin paseó	172 - 67 3/4"
(A) Ancho (cm/inch) sin paseó	74 - 29 1/8"
(C) Profundidad (cm/inch) sin paseó (con	77 - 30 1/4"

(B) Altura (cm/inch) paseó	182.6-28 3/8 "
(A) Ancho (cm/inch) paseó	81.3 -32 "
(C) Profundidad (cm/inch) paseó	77.6-30 1/2"

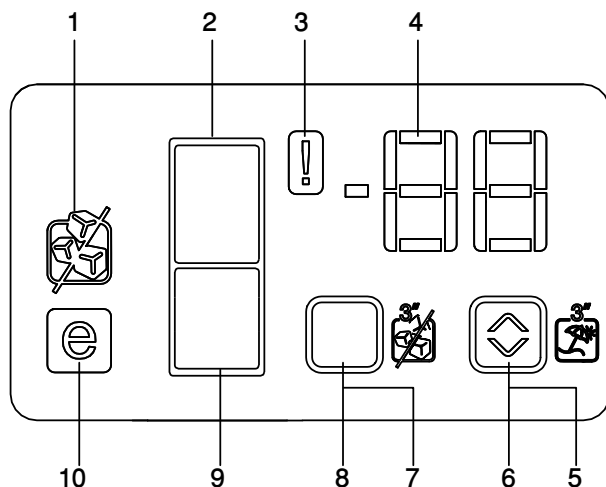
Peso bruto (Kg) / lbs	101.5 /223.3"
Peso muerto (Kg) / lbs	94.6 /208.1"

5 Uso del frigorífico

Panel indicador

Los paneles indicadores pueden variar dependiendo del modelo de aparato.

El panel indicador le ayuda en la utilización del frigorífico gracias a sus funciones de sonido y visuales.



1. Máquina de hielo automático
Apagado / Encendido indicador
2. Compartimento frigorífico
3. Indicador de error
4. Indicador de temperatura
5. Botón de vacaciones
6. Botón de ajuste de la temperatura
7. Botón de cancelación de la formación de hielo
8. Botón de selección de compartimento
9. Indicador del compartimento congelador
10. Indicador del modo ahorro

i Las ilustraciones incluidas en el presente manual de instrucciones son esquemáticas y puede que no se adecúen a su aparato con exactitud. Si alguno de los elementos reflejados no se corresponde con el aparato que usted ha adquirido, entonces será válido para otros modelos.

1. Máquina de hielo automático Apagado / Encendido indicador

Este símbolo aparece en la pantalla al activar la función de cancelación de la formación de hielo

2. Indicador del compartimento frigorífico

La luz del compartimento frigorífico se enciende al ajustar la temperatura del compartimento frigorífico.

3. Indicador de error

Este indicador se activará si su frigorífico no enfría adecuadamente o si hay un fallo en el sensor. Cuando este indicador esté encendido, el indicador de la temperatura del compartimento congelador mostrará "e" y el indicador de temperatura del compartimento frigorífico mostrará números, por ejemplo "1,2,3...". Estos números proporcionan al personal de mantenimiento información acerca del error.

4. Indicador de temperatura

Indica la temperatura de los compartimentos frigorífico y congelador.

5. Botón del modo vacaciones

Mantenga pulsado el botón durante 3 segundos para activar la función de vacaciones. Pulse de nuevo este botón para desactivar la función seleccionada.

6. Botón de ajuste de la temperatura

Cambia la temperatura del compartimento correspondiente en un rango de entre -5°F / 21°C) y $+46^{\circ}\text{F}$ / 8°C .

7. Botón de cancelación de la formación de hielo

Al mantener pulsado este botón durante 3 segundos, el frigorífico detiene la formación de hielo.

8. Compartimento frigorífico

Botón de selección Pulse el botón de selección de compartimento para alternar entre el compartimento frigorífico y el compartimento congelador.

9. Indicador del compartimento congelador

La luz del compartimento congelador se enciende al ajustar la temperatura del compartimento congelador.

10. Indicador del modo ahorro

Indica que el frigorífico está funcionando en modo de eficiencia energética. Este indicador estará activo si la temperatura del compartimento congelador se fija en $+5^{\circ}\text{F}$ / -15°C .

Aviso de puerta abierta

El frigorífico emitirá una señal acústica de aviso cuando la puerta del compartimento del frigorífico permanezca abierta más de un 1 minuto. Esta señal acústica cesará cuando se pulse cualquier botón del indicador o se cierre la puerta.

Doble sistema de enfriamiento:

Este frigorífico está equipado con dos sistemas de enfriamiento separados para enfriar el compartimento de alimentos frescos y el compartimento del congelador. De este modo, no se mezclan el aire del compartimento de alimentos frescos y el aire del compartimento del congelador. Gracias a estos dos sistemas de enfriamiento independientes, la velocidad de enfriamiento es muy superior a la de otros frigoríficos. No se mezclan los olores de los compartimentos. Además, se obtiene un ahorro de energía adicional porque el desescarche se realiza individualmente.

Congelación de alimentos frescos

- Es preferible envolver o cubrir los alimentos antes de introducirlos en el frigorífico.
- Los alimentos calientes deben dejarse enfriar hasta alcanzar la temperatura ambiente antes de introducirlos en el frigorífico.
- Los alimentos que vayan a congelar deben ser frescos y estar en buen estado.
- Los alimentos deben dividirse en porciones basadas en las necesidades de consumo de la familia.
- * Los alimentos deben empaquetarse herméticamente para evitar que se sequen, incluso aunque vayan a guardarse durante poco tiempo.
- Los materiales utilizados para empaquetar alimentos deben ser a prueba de desgarrones y resistentes al frío, a la humedad, los olores, los aceites y los ácidos, y además deben ser herméticos. También deben estar bien cerrados y estar hechos de materiales fáciles de utilizar y aptos para su uso en congeladores.
- Los alimentos que vayan a ser congelados deben depositarse en el compartimento congelador. (No deje que entren en contacto con los alimentos previamente congelados para evitar que éstos puedan descongelarse parcialmente. La capacidad de congelación del aparato se menciona en las especificaciones técnicas del mismo).
- Respete estrictamente los tiempos de conservación de alimentos congelados que encontrará en el apartado de información sobre la congelación.
- Consuma inmediatamente los alimentos recién descongelados, y en ningún caso los vuelva a congelar.
- Para obtener los mejores resultados, se deben tener en cuenta las siguientes instrucciones.
 1. No congele cantidades demasiado grandes de una sola vez. La calidad de los alimentos se conserva mejor si la congelación alcanza su interior lo antes posible.

Ajuste del compartimento congelador	Ajuste del compartimento refrigerador	Explicaciones
5°F/-15 °C	40°F/4 °C.	Éstos son los valores de uso recomendados.
-18°C/ 0°C or -5°F -21°C	40°F/4 °C.	Se recomiendan estos valores cuando la temperatura ambiente rebasa los 86°F/4 °C.
Congelación rápida	40°F/4 °C.	Se utiliza para congelar los alimentos rápidamente. El frigorífico volverá a su modo de funcionamiento previo una vez finalizado el proceso.
-15°C/5°F o menos	37°F/2 °C	Si usted cree que el compartimento refrigerador no está suficientemente frío debido a las altas temperaturas ambientales o por la frecuente apertura y cierre de la puerta.
-15°C/5°F o menos	Refrigeración rápida	Puede utilizarlo cuando haya un exceso de carga en el compartimento o bien si desea enfriar sus alimentos rápidamente. Se recomienda activar la función de refrigeración rápida 4-8 horas antes de colocar los alimentos.

Recomendó el uso de Temperature: FF: 4°C /40 °F Frz : -15°C/5 °F

- Si se introducen alimentos calientes en el compartimento congelador, se obliga al sistema de enfriamiento a funcionar de forma continua hasta congelarlos totalmente.
- Ponga especial cuidado en no mezclar alimentos ya congelados con alimentos frescos.

Recomendaciones para la conservación de alimentos congelados

- Los alimentos congelados ya envasados disponibles en los comercios deben almacenarse de acuerdo con las instrucciones de su fabricante respecto de la conservación en un compartimento congelador de **★***** (4 estrellas).
- Si desea garantizar el mantenimiento de la calidad de los alimentos congelados proporcionada por el fabricante y por el comercio, tenga en cuenta lo siguiente:

- Coloque los paquetes de alimentos congelados en el congelador lo antes posible tras su compra.
- Asegúrese de que todos los contenidos tengan etiqueta y fecha.
- Respete las fechas de “Usar antes de” o “Consumir antes de” indicadas en los envases.

Si se produce un corte de corriente, no abra la puerta del congelador. Incluso si el corte de corriente tiene una duración superior al “Tiempo de aumento de temperatura” indicado en la sección de las “Especificaciones técnicas de su frigorífico”, los alimentos congelados se verán afectados. En caso de que la avería dure más, deberá comprobar el estado de los alimentos y en los casos necesarios consumirlos inmediatamente o bien cocinarlos y posteriormente volverlos a congelar.

Deshielo

El compartimento del congelador se deshiela de manera automática.

Colocación de los alimentos

Estantes del compartimento congelador	Alimentos congelados diversos tales como carnes, pescados, helados, verduras, etc.
Huevera	Huevos
Estantes del compartimento refrigerador	Alimentos en cazuelas, platos cubiertos y recipientes cerrados
Estantes de la puerta del compartimento refrigerador	Alimentos o bebida en envases pequeños (leche, zumos de frutas, cerveza, etc.)
Cajón de frutas y verduras	Verduras y frutas
Compartimento de alimentos frescos	Productos delicados (queso, mantequilla, embutidos, etc.)

- Los materiales utilizados para empaquetar alimentos deben ser a prueba de desgarrones y resistentes al frío, la humedad, los olores, los aceites y los ácidos.

No deje que los alimentos entren en contacto con alimentos previamente congelados, con el fin de evitar que éstos puedan descongelarse parcialmente.

Respete siempre los valores especificados en las tablas para los periodos de conservación.

Consuma inmediatamente los alimentos recién descongelados, y en ningún caso los vuelva a congelar.

ADVERTENCIA

- Los alimentos deben dividirse en porciones basadas en las necesidades de consumo de la familia.

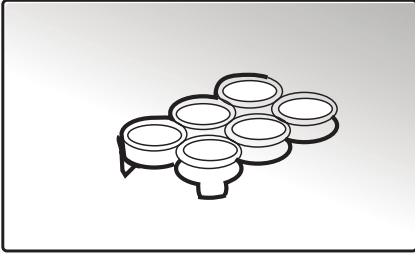
- Los alimentos deben empaquetarse herméticamente para evitar que se sequen, incluso si van a guardarse durante poco tiempo.

Materiales necesarios para el empaquetado:

- Cinta adhesiva resistente al frío
- Etiquetas autoadhesivas
- Gomas elásticas
- Bolígrafo

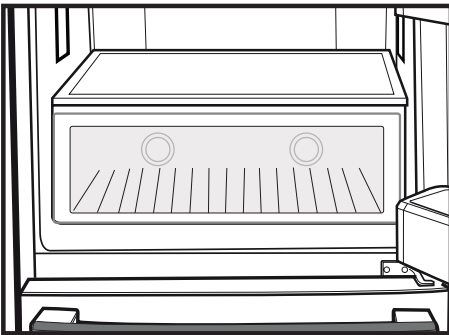
Bandeja para huevos

- Puede instalar la huevera en la puerta o en el estante que desee.
- Nunca deposite la huevera en el compartimento congelador.



Luz azul

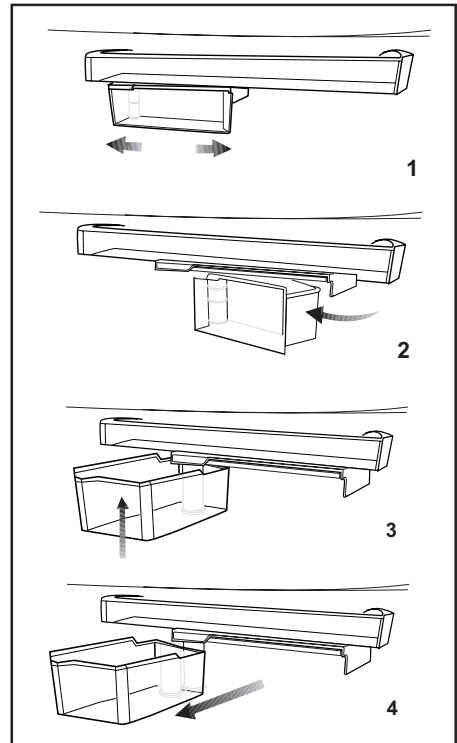
El efecto de la longitud de onda de la luz azul hace que los alimentos almacenados en el cajón de frutas y verduras prolonguen su proceso de fotosíntesis, conservando de esta manera su frescura e incrementando su contenido vitamínico.



Contenedor de almacenamiento giratorio

El estante de cuerpo deslizante puede desplazarse a izquierda o derecha para facilitarle la colocación de botellas largas, tarros o cajas en un estante inferior (Fig. 1).

Puede tomar los alimentos depositados en el estante haciendo éste por su borde derecho y haciéndolo girar (Fig. 2). Cuando desee cargarlo o bien extraerlo para limpiarlo, gírelo 90°, levántelo y tire de él hacia usted (Fig. 3-4).



Icematic y contenedor de almacenamiento de hielo

Uso del Icematic

* Llène el Icematic con agua y colóquelo en su sitio. El hielo estará listo en unas dos horas. No extraiga el Icematic de su sitio para sacar hielo.

* Gire los mandos situados sobre él 90 grados en la dirección de las agujas del reloj.

Los cubitos de hielo de las celdas caerán al contenedor de almacenamiento de hielo situado debajo.

* Ahora puede retirar el contenedor de almacenamiento de hielo y servir los cubitos.

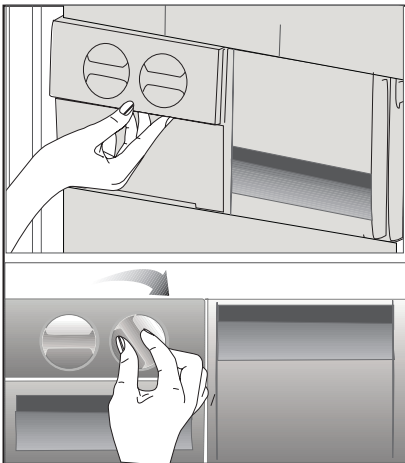
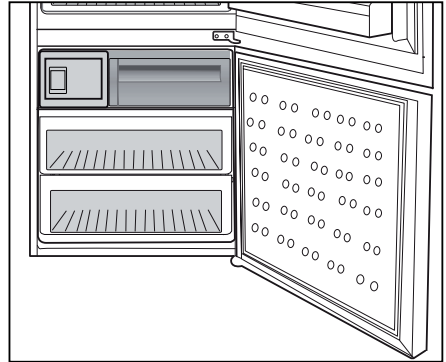
* Si lo desea, puede dejar los cubitos en el contenedor de almacenamiento de hielo.

Contenedor de almacenamiento de hielo

El contenedor de almacenamiento de hielo debe utilizarse únicamente para almacenar cubitos de hielo. No eche agua en el depósito, ya que podría romperse.

Máquina de hielo (en algunos modelos)

El sistema máquina de hielo le permite obtener hielo de su frigorífico con facilidad. Una vez realizada la conexión al sistema de suministro de agua, podrá retirar cubitos de hielo de la cubitera. Los primeros cubitos estarán disponibles al cabo de unas dos horas en la cubitera del sistema máquina de hielo ubicada en el compartimento congelador. No vierta agua en ella, ya que podría romperse. La cubitera no debe usarse para almacenar alimentos.



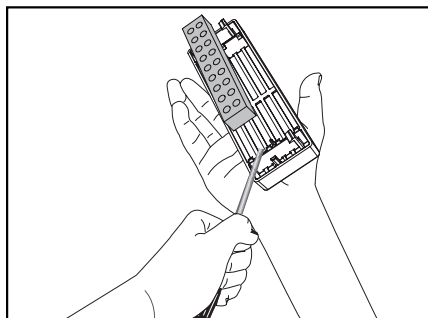
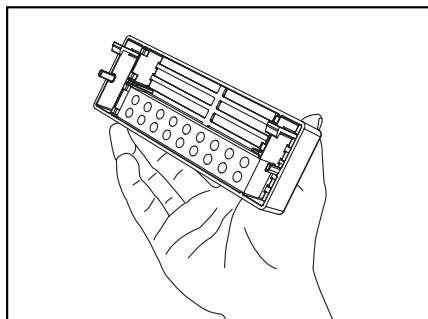
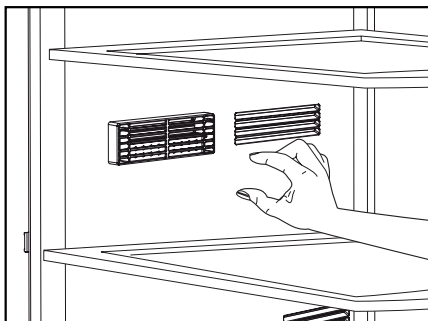
Descripción y limpieza del filtro antiolores:

El filtro antiolores evita la proliferación de olores desagradables en el interior del frigorífico.

Tire hacia abajo de la cubierta del filtro y retírela, tal como se muestra en la ilustración. Deje el filtro expuesto a la luz solar durante un día. El filtro se limpiará en este período de tiempo.

Vuelva a colocar el filtro en su lugar.

El filtro antiolores debe limpiarse una vez al año.



6 Mantenimiento y limpieza

- ⚠ No utilice nunca gasolina, benceno o sustancias similares para la limpieza.
- ⚠ Le recomendamos desenchufar el aparato antes de proceder a su limpieza.
- ℹ No utilice nunca para la limpieza instrumentos afilados o sustancias abrasivas, jabones, limpiadores domésticos, detergentes ni ceras abrillantadoras.
- ℹ Limpie el armario del frigorífico con agua tibia y séquelo con un paño.
- ℹ Para limpiar el interior, utilice un paño humedecido en un vaso grande de agua con una cucharadita de bicarbonato sódico disuelta y séquelo con un trapo.
- ⚠ Asegúrese de que no penetre agua en el alojamiento de la lámpara ni en otros elementos eléctricos.
- ⚠ Si no va a utilizar el frigorífico durante un periodo prolongado, desenchúfelo, retire todos los alimentos, límpielo y deje la puerta entreabierta.
- ℹ Compruebe regularmente los cierres herméticos de la puerta para asegurarse de que estén limpios y sin restos de alimentos.
- ℹ Para extraer las bandejas de la puerta, retire todo su contenido y, a continuación, simplemente empuje la bandeja hacia arriba desde su base.

- ℹ Nunca use agentes de limpieza o agua que contengan cloro para limpiar las superficies exteriores y los cromados del producto, ya que el cloro corroe dichas superficies metálicas.

Protección de las superficies de plástico

- ℹ No deposite aceites líquidos o alimentos aceitosos en recipientes no cerrados ya que dañarán las superficies de plástico de su frigorífico. En caso de derrame de aceite sobre las superficies de plástico, limpie y enjuague con agua caliente la parte afectada de inmediato.

7 Sugerencias para la solución de problemas

Le rogamos compruebe la siguiente lista antes de llamar al servicio técnico. Ello puede ayudarle a ahorrar tiempo y dinero. Esta lista incluye problemas frecuentes no achacables a defectos en materiales o manufactura. Es posible que algunas de las características mencionadas no estén presentes en su producto.

El refrigerador no funciona

- ¿Está el frigorífico correctamente enchufado? Inserte el enchufe en la toma de corriente.
- ¿Están fundidos el fusible principal o el fusible del enchufe al cual ha conectado el frigorífico? Revise los fusibles.

Condensación en la pared lateral del compartimento refrigerador. (MULTI ZONE, COOL CONTROL y FLEXI ZONE)

- Condiciones ambientales muy frías. Frecuente apertura y cierre de la puerta. Nivel alto de humedad ambiental. Almacenamiento de alimentos que contienen líquidos en recipientes abiertos. Dejar la puerta entreabierta.
- Ponga el termostato a una temperatura más baja.
- Deje la puerta abierta durante menos tiempo o ábrala con menor frecuencia.
- Cubra los alimentos almacenados en recipientes abiertos con un material adecuado.
- Enjague el agua condensada con un paño seco y compruebe si la condensación persiste.

El compresor no funciona

- El dispositivo térmico protector del compresor saltará en caso de un corte súbito de energía o de idas y venidas de la corriente, ya que la presión del refrigerante en el sistema de enfriamiento aún no se ha estabilizado.
- Su frigorífico se pondrá en marcha transcurridos unos 6 minutos. Llame al servicio técnico si su frigorífico no se pone en marcha transcurrido ese periodo.
- El frigorífico se encuentra en el ciclo de descongelación. Esto es normal en un frigorífico con descongelación automática. El ciclo de descongelación se produce de forma periódica.
- El frigorífico no está enchufado. Compruebe que el enchufe esté firmemente insertado en la toma de corriente.
- ¿Está la temperatura correctamente fijada? Hay un corte del fluido eléctrico. Llame a su electricista.

El frigorífico está en funcionamiento con frecuencia o durante periodos prolongados.

- Puede que su nuevo frigorífico sea más grande que el que tenía anteriormente. Esto es perfectamente normal. Los frigoríficos de mayor tamaño funcionan durante más tiempo.
- Es posible que la temperatura ambiente de la estancia sea más alta. Esto es perfectamente normal.
- Es posible que haya enchufado el frigorífico o bien lo haya cargado de alimentos recientemente. Puede que el frigorífico tarde unas dos horas en enfriarse por completo.
- Es posible que recientemente haya depositado grandes cantidades de alimentos en el frigorífico. Los alimentos calientes pueden ocasionar que el frigorífico trabaje durante más tiempo hasta alcanzar la temperatura de almacenamiento seguro.
- Es posible que las puertas se hayan abierto con frecuencia o que se hayan dejado entreabiertas por un tiempo prolongado. El aire caliente que ha penetrado en el frigorífico hace que éste funcione durante más tiempo. Abra las puertas con menos frecuencia.
- Es posible que la puerta del compartimento frigorífico o congelador se haya dejado entreabierta. Compruebe que las puertas estén bien cerradas.
- El frigorífico está ajustado a una temperatura muy baja. Ajuste la temperatura del frigorífico a un valor más alto y espere a que se alcance dicha temperatura.
- La junta de la puerta del compartimento frigorífico o congelador puede estar sucia, desgastada, rota o no asentada correctamente. Limpie o sustituya la junta. Una junta rota o dañada hace que el frigorífico funcione durante más tiempo con el fin de mantener la temperatura actual.

La temperatura del congelador es muy baja, mientras que la del frigorífico es correcta.

- La temperatura del congelador está ajustada a un valor muy bajo. Ajuste la temperatura del congelador a un valor más elevado y compruebe.

La temperatura del frigorífico es muy baja, mientras que la del congelador es correcta.

- La temperatura del compartimento frigorífico está ajustada a un valor muy bajo. Ajuste la temperatura del frigorífico a un valor más elevado y compruebe.

Los alimentos depositados en los cajones del compartimento frigorífico se están congelando.

- La temperatura del compartimento frigorífico está ajustada a un valor muy bajo. Ajuste la temperatura del frigorífico a un valor más elevado y compruebe.

La temperatura del congelador o el frigorífico es muy alta.

<ul style="list-style-type: none"> • La temperatura del frigorífico está ajustada a un valor muy alto. El ajuste de la temperatura del frigorífico afecta a la temperatura del congelador. Cambie la temperatura del frigorífico o del congelador hasta que alcance un nivel suficiente. • Es posible que la puerta se haya quedado entreabierta. Cierre la puerta del todo. • Es posible que recientemente haya depositado grandes cantidades de alimentos en el frigorífico. Espere hasta que el frigorífico o el congelador alcance la temperatura deseada. • Es posible que el frigorífico haya sido enchufado recientemente. El enfriamiento completo del frigorífico lleva un tiempo debido a su tamaño.
Puede escucharse un sonido parecido al tic tac de un reloj saliendo del frigorífico.
<ul style="list-style-type: none"> • Este ruido procede de la electroválvula del frigorífico. La electroválvula garantiza el flujo de líquido refrigerante a través del compartimento, que puede ajustarse a temperaturas de enfriamiento o congelación así como llevar a cabo funciones de refrigeración. Esto es perfectamente normal y no es ninguna anomalía.
El nivel de ruidos propios del funcionamiento se incrementa cuando el frigorífico está en marcha.
<ul style="list-style-type: none"> • Las características de rendimiento del frigorífico pueden cambiar en función de las variaciones en la temperatura ambiente. Esto es perfectamente normal, no es ninguna avería.
Vibraciones o ruidos.
<ul style="list-style-type: none"> • El suelo no está nivelado ni es firme. El frigorífico oscila al moverlo lentamente. Compruebe que el suelo esté nivelado y sea firme y capaz de soportar el peso del frigorífico. • El ruido puede deberse a los elementos guardados en el frigorífico. Tales objetos deben retirarse de la parte superior del frigorífico.
Pueden oírse ruidos como si un líquido se derramara o se pulverizara.
<ul style="list-style-type: none"> • Los líquidos y gases fluyen de acuerdo con los principios de funcionamiento del frigorífico. Esto es perfectamente normal, no es ninguna avería.
Puede oírse un ruido parecido al viento.
<ul style="list-style-type: none"> • Se utilizan ventiladores con el fin de hacer que el frigorífico se enfríe con eficiencia. Esto es perfectamente normal, no es ninguna avería.
Condensación en las paredes interiores del frigorífico.
<ul style="list-style-type: none"> • El tiempo cálido y húmedo favorece la formación de hielo y la condensación. Esto es perfectamente normal, no es ninguna avería. • Las puertas están entreabiertas. Asegúrese de que las puertas estén completamente cerradas. • Es posible que las puertas se hayan estado abriendo con frecuencia o que se hayan dejado abiertas durante un periodo prolongado. Abra las puertas con menor frecuencia.
Hay humedad en el exterior del frigorífico o entre las puertas.

<ul style="list-style-type: none"> • Puede que haya humedad ambiental. Esto es perfectamente normal en climas húmedos. Cuando el grado de humedad descienda, la condensación desaparecerá.
<p>Mal olor en el interior del frigorífico.</p>
<ul style="list-style-type: none"> • El interior del frigorífico debe limpiarse. Limpie el interior del frigorífico con una esponja empapada en agua caliente o agua con gas. • Es posible que el olor provenga de algún recipiente o envoltorio. Utilice otro recipiente o materiales para envolver de una marca diferente.
<p>La puerta (o puertas) no se cierra.</p>
<ul style="list-style-type: none"> • Puede que los paquetes de alimentos depositados no dejen que las puertas se cierren. Recolecte los paquetes que estén obstruyendo la puerta. • Es probable que el frigorífico no esté en posición completamente vertical sobre el suelo y que oscile si se lo mueve ligeramente. Ajuste los tornillos de elevación. • El suelo no está nivelado o no es firme. Compruebe que el suelo esté nivelado y que sea capaz de soportar el peso del frigorífico.
<p>Los cajones están atascados.</p>
<ul style="list-style-type: none"> • Es posible que algún alimento toque el techo del cajón. Cambie la distribución de los alimentos en el cajón.

