

BRFD 2650 SS

25.6 cu.ft. (727 L) total gross volume
Trio-cycle no frost cooling



Fridge

Frost free
Through the door ice and water dispenser with crushed ice option
Touch button display
Illumination with white LED
3 safety glass shelves with height adjustment
4 door bins (gallon bottle width and regular width)
Energy Star qualified

Flexi Zone

Flexible temperature selection option from -10°F to +50°F

Freezer

Auto defrost
6 drawers

Hygiene

Blue zone
hygAIR ionizing technology
Hygiene+ antibacterial carbon filter
Antibacterial seal

Technical Information

Dimensions (HxWxD) (cm): 185 x 90,8 x 86,1
Dimensions (HxWxD) (in): 72 3/4 x 35 3/4 x 33 15/16*
*Depth is with door handles.

Color

BRFD 2650 SS: Fingerprint free stainless steel

Features



frost free

Frost free

Keeps food fresher for longer periods.
Eliminates ice and bacteria build-up,
avoids unpleasant fridge odors.



trio cycle cooling

Trio cycle frost free technology

Provides separate air circulation in the freezer, the fresh food compartment and the flexi zone by means of three separate fans – so prevents odour blending, preserves foods and provides more energy efficient and silent cooling.



hygiene+

Hygiene+ antibacterial carbon filter

Photo catalyst carbon filter, eliminates bacteria, reduces fridge odour and ensures hygiene. The carbon filter can be reactivated easily, with just one day's exposure to sunlight.



hygair

HygAIR ionizing technology

Eliminates airborne bacteria and odor forming molecules, by producing natural negative ions. And food stays fresher for longer.



LED illumination

Illumination with white LED

White LED provides a more aesthetic look inside your fridge and less energy consumption.



bluelight

Blue light technology

Allows fruit and vegetables to continue photosynthesis. Your food maintains its vitamin value.



fingerprint free

Fingerprint free

Fingerprint free inox for easy cleaning.

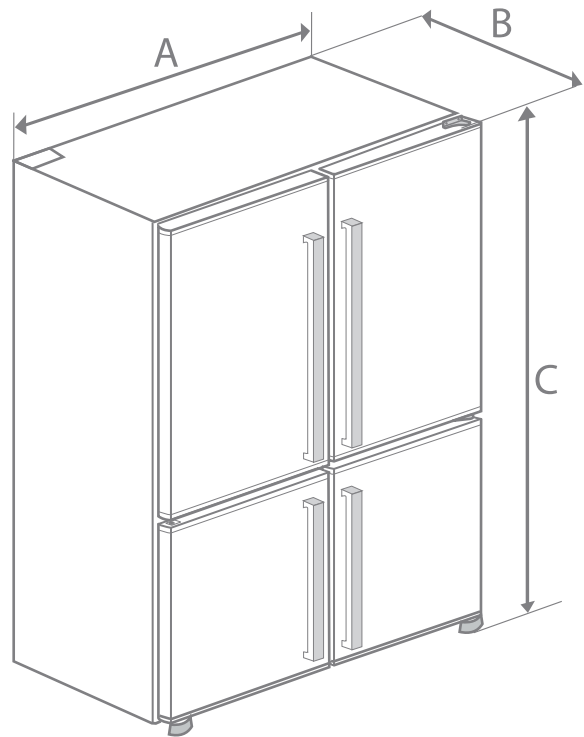
Blomberg[®]

seit 1883

BRFD 2650 SS

25.6 cu.ft. (727 L) total gross volume
Trio-cycle no frost cooling

MODEL CODE	BRFD 2650 SS
Type	Four Door French Door Refrigerator
Control system	Electronic Control
Cooling system	TRIO CYCLE NO FROST COOLING
CAPACITIES	
Total net volume, cu.ft	23.3
L	661
Fresh food net volume, cu.ft	15.4
L	435
Freezer net volume, cu.ft	8.0
L	226
FRIDGE FEATURES	
Water dispenser	•
Electronic control display type	Touch control
Auto defrost	•
Inner illumination	White LED
Shelves	3 safety glasses
Crispers	2
Door racks	6
Wine rack	-
Bottle gripper	-
Egg tray	1 x Transparent / 15 egg holder
Fan ventilation	•
FLEXI ZONE	
Total net volume, cu.ft	3.99
L	113
Number of drawers	2
Number of shelves	1
Adjustable temperature range	-10°F to +50°F
FREEZER FEATURES	
Auto defrost	•
Fast freeze function	-
Number of freezer drawers	6
Number of flaps	-
Automatic ice maker	•
Twist ice maker	-
Ice cube tray	-
HYGIENE	
Blue zone	•
hygAIR ionizing technology	•
Hygiene+ antibacterial carbon filter	•
Antibacterial seal	•
TECHNICAL INFORMATION	
Supply voltage, V/Hz	120 V / 60 Hz
Noise level, dBA	47
DIMENSIONS	
Unpacked (HxWxD), cm	185 x 90.8 x 86.1
Unpacked (HxWxD), in	72 3/4 x 35 3/4 x 33 15/16
Packed (HxWxD), cm	196.3 x 104.9 x 95.2
Packed (HxWxD), in	77 1/4 x 41 3/8 x 37 1/2
Product weight, kg	147.9
Product weight, lbs	325.4
Packed weight, kg	161.9
Packed weight, lbs	356.2
PERFORMANCE	
Energy Star qualified	•
ENERGY STAR® Most Efficient 2014	-
Climatic class	T
Annual energy consumption, kWh/year	544
Cooling gas	R134a
COLOR OPTIONS	
SS: Fingerprint free stainless steel	•



	mm	inches
A	908	35 3/4
B	861	33 7/8
C	185	72 3/4