

# BRFD 2650 SS

25.7 cu. ft. (750 L) total gross volume  
Trio-cycle no frost cooling



## Fridge

Frost free  
Through the door ice and water dispenser with crushed ice option  
Touch button display  
Illumination with white LED  
3 safety glass shelves with height adjustment  
4 door bins (gallon bottle width and regular width)  
Energy Star qualified

## Flexi Zone

Flexible temperature selection option from  
-10°F to +50°F

## Freezer

Auto defrost  
6 drawers

## Hygiene

Blue zone  
hygAIR ionizing technology  
Hygiene+ antibacterial carbon filter  
Antibacterial seal

## Technical Information

Dimensions (HxWxD) (cm): 185 x 90,8 x 86,1  
Dimensions (HxWxD) (in): 72 3/4 x 35 3/4 x 33 15/16\*  
\*Depth is with door handles.

## Color

BRFD 2650 SS: Fingerprint free stainless steel



## Features



frost free

### Frost free

Keeps food fresher for longer periods. Eliminates ice and bacteria build-up, avoids unpleasant fridge odors.



trio cycle cooling

### Trio cycle frost free technology

Provides separate air circulation in the freezer, the fresh food compartment and the flexi zone by means of three separate fans – so prevents odour blending, preserves foods and provides more energy efficient and silent cooling.



hygiene+

### Hygiene+ antibacterial carbon filter

Photo catalyst carbon filter, eliminates bacteria, reduces fridge odour and ensures hygiene. The carbon filter can be reactivated easily, with just one day's exposure to sunlight.



hygair

### HygAIR ionizing technology

Eliminates airborne bacteria and odor forming molecules, by producing natural negative ions. And food stays fresher for longer.



LED illumination

### Illumination with white LED

White LED provides a more aesthetic look inside your fridge and less energy consumption.



bluelight

### Blue light technology

Allows fruit and vegetables to continue photosynthesis. Your food maintains its vitamin value.



fingerprint free

### Fingerprint free

Fingerprint free inox for easy cleaning.

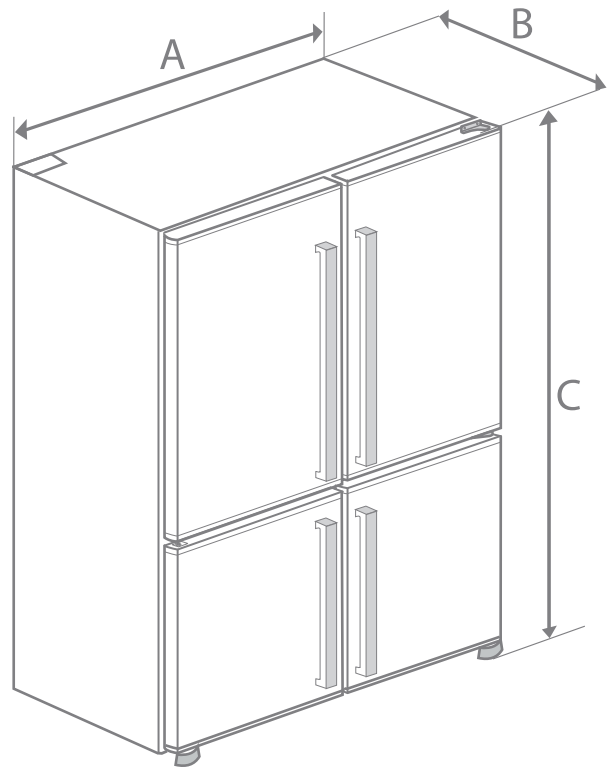
**Blomberg®**

seit 1883

# BRFD 2650 SS

25.7 cu. ft. (750 L) total gross volume  
Trio-cycle no frost cooling

| MODEL CODE                           | BRFD 2650 SS                       |
|--------------------------------------|------------------------------------|
| Type                                 | Four Door French Door Refrigerator |
| Control system                       | Electronic Control                 |
| Cooling system                       | TRIO CYCLE NO FROST COOLING        |
| <b>CAPACITIES</b>                    |                                    |
| Total net volume, cu.ft              | 23.3                               |
| L                                    | 661                                |
| Fresh food net volume, cu.ft         | 15.4                               |
| L                                    | 435                                |
| Freezer net volume, cu.ft            | 8.0                                |
| L                                    | 226                                |
| <b>FRIDGE FEATURES</b>               |                                    |
| Water dispenser                      | •                                  |
| Electronic control display type      | Touch control                      |
| Auto defrost                         | •                                  |
| Inner illumination                   | White LED                          |
| Shelves                              | 3 safety glasses                   |
| Crispers                             | 2                                  |
| Door racks                           | 6                                  |
| Wine rack                            | -                                  |
| Bottle gripper                       | -                                  |
| Egg tray                             | 1 x Transparent / 15 egg holder    |
| Fan ventilation                      | •                                  |
| <b>FLEXI ZONE</b>                    |                                    |
| Total net volume, cu.ft              | 3.99                               |
| L                                    | 113                                |
| Number of drawers                    | 2                                  |
| Number of shelves                    | 1                                  |
| Adjustable temperature range         | -10°F to +50°F                     |
| <b>FREEZER FEATURES</b>              |                                    |
| Auto defrost                         | •                                  |
| Fast freeze function                 | -                                  |
| Number of freezer drawers            | 6                                  |
| Number of flaps                      | -                                  |
| Automatic ice maker                  | •                                  |
| Twist ice maker                      | -                                  |
| Ice cube tray                        | -                                  |
| <b>HYGIENE</b>                       |                                    |
| Blue zone                            | •                                  |
| hygAIR ionizing technology           | •                                  |
| Hygiene+ antibacterial carbon filter | •                                  |
| Antibacterial seal                   | •                                  |
| <b>TECHNICAL INFORMATION</b>         |                                    |
| Supply voltage, V/Hz                 | 120 V / 60 Hz                      |
| Noise level, dBA                     | 47                                 |
| <b>DIMENSIONS</b>                    |                                    |
| Unpacked (HxWxD), cm                 | 185 x 90.8 x 86.1                  |
| Unpacked (HxWxD), in                 | 72 3/4 x 35 3/4 x 33 15/16         |
| Packed (HxWxD), cm                   | 196.3 x 104.9 x 95.2               |
| Packed (HxWxD), in                   | 77 1/4 x 41 3/8 x 37 1/2           |
| Product weight, kg                   | 147.9                              |
| Product weight, lbs                  | 325.4                              |
| Packed weight, kg                    | 161.9                              |
| Packed weight, lbs                   | 356.2                              |
| <b>PERFORMANCE</b>                   |                                    |
| Energy Star qualified                | •                                  |
| ENERGY STAR® Most Efficient 2014     | -                                  |
| Climatic class                       | T                                  |
| Annual energy consumption, kwh/year  | 544                                |
| Cooling gas                          | R134a                              |
| <b>COLOR OPTIONS</b>                 |                                    |
| SS: Fingerprint free stainless steel | •                                  |



|   | mm  | inches |
|---|-----|--------|
| A | 908 | 35 3/4 |
| B | 861 | 33 7/8 |
| C | 185 | 72 3/4 |