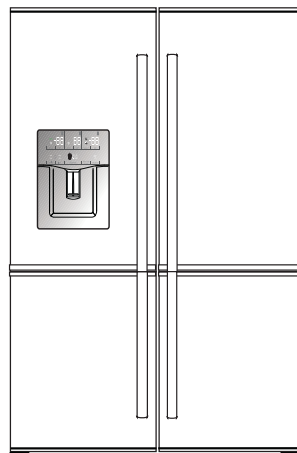


Refrigerator
Frigorífico
Congélateur/réfrigérateur

BRFD2650SS

**Bedienungsanleitung
Operating instructions**



Blomberg

Please read this user manual first!





Dear Customer,

Thank you for preferring an your product. We hope that you get the best results from your product which has been manufactured with high quality and state-of-the-art technology. Therefore, please read this entire user manual and all other accompanying documents carefully before using the product and keep it as a reference for future use. If you handover the product to someone else, give the user manual as well. Follow all warnings and information in the user manual.

Remember that this user manual is also applicable for several other models. Differences between models will be identified in the manual.

Explanation of symbols

Throughout this user manual the following symbols are used:

	Important information or useful hints about usage.
	Warning for hazardous situations with regard to life and property.
	Warning for electric shock.
	Packaging materials of the product are manufactured from recyclable materials in accordance with our National Environment Regulations.

Content

1 Important instructions for safety and environment 3

- 1.1 General safety3
- 1.1.1 HCA warning4
- 1.1.2 For products with a water dispenser4
- 1.2 Intended use4
- 1.3 Children's safety4
- 1.4 Compliance with WEEE Directive and Disposing of the Waste Product:5
- 1.5 Compliance with RoHS Directive:5
- 1.6 Package information.5

2 Your Refrigerator 6

3 Installation 7

- 3.1 Appropriate installation location7
- 3.2 Installing the plastic wedges7
- 3.3 Electrical connection7
- 3.4 Adjusting the feet8
- 3.5 Illumination lamp8
- 3.6 Door open warning8
- 3.7 Water connection8
- 3.8 Connecting the water hose to the refrigerator9
- 3.9 Connecting of the water hose to the cold water mains line9
- 3.10 Water filter10
- 3.10.1 Mounting the external filter onto the wall 10
- 3.10.2 Attaching the internal filter into the refrigerator11
- 3.11 Connecting the water hose to demijohn . .12
- 3.12 Things to do to have the filter usage time calculated automatically13
- 3.13 Before starting to use the water/ice dispenser14
- 3.14 Transportation of the product15

4 Preparation 16

- 4.1 Things to be done for energy saving16
- 4.2 Recommendations for the fresh food compartment16
- 4.3 Initial use17

5 Operating the product 19

- 5.1 Indicator panel19
- 5.2 Dual cooling system22
- 5.3 Freezing fresh food22
- 5.4 Recommendations for preserving the frozen food23
- 5.5 Placing the food23
- 5.6 Deep-freeze information23
- 5.7.1 Using the Icematic23
- 5.7.2 Making ice24
- 5.8 Removing door shelves24
- 5.9 Glass shelves24
- 5.10 Chiller compartment24
- 5.11 Crisper25
- 5.12 Butter & Cheese section25
- 5.13. Egg holder25
- 5.14 Movable middle section25
- 5.15 Multi Zone Storage compartment26
- 5.16 Rotating storage container26
- 5.17 Blue light27
- 5.18 Ion27
- 5.19 Odour filter27
- 5.20 Using water dispenser27
- 5.21 Drip tray28

6 Maintenance and cleaning 29

- 6.1 Avoiding bad odours29
- 6.2 Protecting the plastic surfaces29

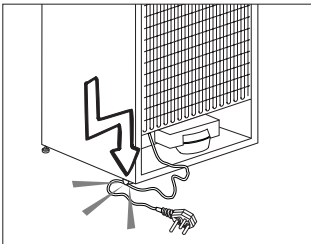
7 Troubleshooting 30

1 Important instructions for safety and environment

This section contains safety instructions that will help protect from risk of personal injury or property damage. Failure to follow these instructions shall void any warranty.

1.1 General safety

- This product can be used by children at and above 8 years old and by persons whose physical, sensory or mental capabilities were not fully developed or who lack experience and knowledge provided that they are supervised or trained on the safe usage of the product and the risks it brings out. Children must not play with the product. Cleaning and maintenance works should not be performed by children unless they are supervised by someone.
- Unplug the product if a failure occurs while it is in use.
- If the product has a failure, it should not be operated unless it is repaired by the Authorised Service Agent. There is the risk of electric shock!
- Connect the product to a grounded outlet protected by a fuse complying with the values in the rating plate. Have the grounding installation made by a qualified electrician. Our company shall not be liable for any damages that will arise when the product is used without grounding in accordance with the local regulations.
- Unplug the product when not in use.
- Never wash the product by spreading or pouring water onto it! There is the risk of electric shock!
- Never touch the plug with wet hands! Never unplug by pulling on the cable, always pull out by grabbing the plug.
- It is recommended to clean the tip of the plug regularly with a dry cloth.



- Do not plug the refrigerator if the wall outlet is loose.
- Never connect your refrigerator to electricity-saving systems. Such systems are harmful for the product.
- Unplug the product during installation, maintenance, cleaning and repairing procedures.
- Always have the installation and repairing procedures carried out by the **Authorised Service Agent**. Manufacturer shall not be held liable for damages that may arise from procedures carried out by unauthorised persons.
- Do not eat cone ice cream and ice cubes immediately after you take them out of the freezer compartment! This may cause frostbite in your mouth!
- Do not touch frozen food by hand! They may stick to your hand!
- Do not put bottled and canned liquid beverages in the freezer compartment. They may burst!
- Never use steam and steam assisted cleaning materials to clean or defrost the refrigerator. Steam will cause short circuit or electric shock since it would get into contact with the electrical parts in the refrigerator!
- Do not use mechanical devices or other methods to accelerate the defrosting process, other than those recommended by the manufacturer.
- Never use the parts on your refrigerator such as the door and drawer as a means of support or step. This will cause the product to tip over or parts of it get damaged.
- Do not damage the cooling circuit, where the refrigerant is circulating, with drilling or cutting tools. The refrigerant that might blow out when the gas channels of the evaporator, pipe extensions or surface coatings are punctured may cause skin irritations and eye injuries.
- Do not cover or block the ventilation holes on the refrigerator with any material.
- Place the beverage with higher proofs tightly closed and vertically.
- Do not use gaseous sprays near the product since there is the risk of fire or explosion!
- Flammable items or products that contain flammable gases (e.g. spray) as well as the explosive materials should never be kept in the appliance.

Important instructions for safety and environment

- Do not place containers filled with liquid on top of the product. Spilling water on an electrical component may cause electric shocks or risk of fire.
- Do not store products (vaccines, heat-sensitive medicines, scientific materials and etc.) that require a precise temperature control in the refrigerator.
- If you will not operate the product for a long period of time, unplug and unload the food in it.
- If the product is equipped with blue light, do not look at the blue light with optical tools.
- Exposing the product to rain, snow, sun and wind is dangerous with respect to electrical safety.
- In products with mechanical control (thermostat), wait for minimum 5 minutes to plug in the product again after unplugging it.
- Do not overload the product. It may fall when the door is opened, and cause injury or damage. Similar problems may occur in case of putting things on top of the product.
- If the product's door is equipped with a handle, do not pull by the handle when changing the place of the product. Handle may get loose.
- Pay attention not to have your hand or any part of your body get caught by the moving parts inside the product.

1.1.1 HCA warning

- If your product's cooling system contains R600a: This gas is flammable. Therefore, pay attention to not damaging the cooling system and piping during usage and transportation. In the event of damage, keep your product away from potential fire sources that can cause the product catch a fire and ventilate the room in which the unit is placed.

Ignore this warning if your product's cooling system contains R134a.

Type of gas used in the product is stated in the type plate which is on the left wall inside the refrigerator.

Never throw the product in fire for disposal.



If the product is equipped with a cooling system containing R134a gas, ignore this warning.



You can learn the gas used in production of your product on the rating plate located on the left inner part of it.



WARNING: Never dispose the product in fire.

1.1.2 For products with a water dispenser

- Pressure of water mains should be minimum 1 bar and maximum 8 bars.
- Use only potable water.

1.2 Intended use

- This product has been designed for domestic use. It is not suitable for commercial use and it must not be used out of its intended use.
- Product must be used only for storing food.
- The manufacturer waives any responsibility arisen from incorrect usage or transportation.
- The service life of your product is 10 years. During this period, original spare parts will be available to operate the appliance properly.

1.3 Children's safety

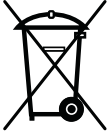
- If the door has a lock, the key should be kept away from reach of children.
- Children must be supervised to prevent them from tampering with the product.



DANGER: Risk of child entrapment. Before you throw away your old refrigerator or freezer:

- Take off the doors.
- Leave the shelves in place so that children may not easily climb inside.

1.4 Compliance with WEEE Directive and Disposing of the Waste Product:



This product complies with EU WEEE Directive (2012/19/EU). This product bears a classification symbol for waste electrical and electronic equipment (WEEE). This product has been manufactured with high quality parts and materials which can be reused and are suitable for recycling. Do not dispose of the waste product with normal domestic and other wastes at the end of its service life. Take it to the collection center for the recycling of electrical and electronic equipment. Please consult your local authorities to learn about these collection centers.

1.5 Compliance with RoHS Directive:

The product you have purchased complies with EU RoHS Directive (2011/65/EU). It does not contain harmful and prohibited materials specified in the Directive.

1.6 Package information

- Packaging materials of the product are manufactured from recyclable materials in accordance with our National Environment Regulations. Do not dispose of the packaging materials together with the domestic or other wastes. Take them to the packaging material collection points designated by the local authorities.



DANGER: Risk Of Fire or Explosion. Flammable Refrigerant Used. Do Not Use Mechanical Devices To Defrost Refrigerator. Do Not Puncture Refrigerant Tubing”.



DANGER: Risk Of Fire Or Explosion. Flammable Refrigerant Used. To Be Repaired Only By Trained Service Personnel. Do Not Puncture Refrigerant Tubing”.



CAUTION : Risk Of Fire Or Explosion. Flammable Refrigerant Used. Consult Repair Manual/ Owner’s Guide Before Attempting To Service This Product. All Safety Precautions Must be Followed.

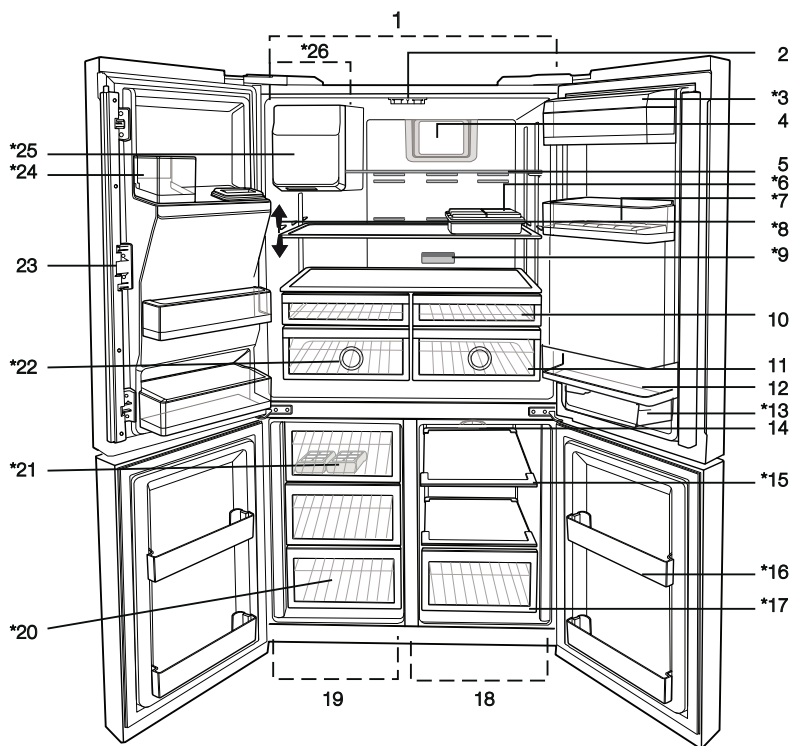


CAUTION : Risk Of Fire Or Explosion. Dispose Of Property In Accordance With Federal Or Local Regulations. Flammable Refrigerant Used.



CAUTION : Risk Of Fire Or Explosion Due To Puncture Of Refrigerant Tubing; Follow Handling Instructions Carefully. Flammable Refrigerant Used”.

2 Your Refrigerator



- | | |
|--|--|
| 1- Fridge compartment | 15- Multi Zone compartment glass shelves |
| 2- Movable middle section router | 16- Freezer compartment door shelves |
| 3- Butter & Cheese sections | 17- Multi Zone / Flexi Zone / Cool Control compartment food storage sections |
| 4- Blower | 18- Multi Zone compartment |
| 5- Glass shelves | 19- Freezer compartment |
| 6- Snack tray | 20- Frozen food storage sections |
| 7- Egg holder | 21- Ice container |
| 8- Movable Body Shelf | 22- Blue light |
| 9- Odour filter | 23- Movable middle section |
| 10- Chiller compartments | 24- Small door shelf above the Water&Ice Dispenser |
| 11- Crispers | 25- Ice storage container |
| 12- Fridge compartment door shelves | 26- Ice-making compartment |
| 13- Storage container under the door shelf | |
| 14- Blower | |

*OPTIONAL



Figures in this user manual are schematic and may not match the product exactly. If the subject parts are not included in the product you have purchased, then those parts are valid for other models.

3 Installation

Refer to the nearest Authorised Service Agent for installation of the product. To make the product ready for use, make sure that the electricity installation is appropriate before calling the Authorised Service Agent. If not, call a qualified electrician to have any necessary arrangements carried out.



Preparation of the location and electrical installation at the place of installation is under customer's responsibility.



Product must not be plugged in during installation. Otherwise, there is the risk of death or serious injury!



WARNING: Installation and electrical connections of the product must be carried out by the Authorised Service Agent. Manufacturer shall not be held liable for damages that may arise from procedures carried out by unauthorised persons.



WARNING: Prior to installation, visually check if the product has any defects on it. If so, do not have it installed. Damaged products cause risks for your safety.



Make sure that the power cable is not pinched or crushed while pushing the product into its place after installation or cleaning procedures.

3.1 Appropriate installation location



WARNING: If the door of the room where the product will be placed is too small for the product to pass, then the product's doors must be removed and the product must be turned aside to pass it through.

- Choose a place at where you would use the product comfortably.
- Install the product at least 30 cm away from heat sources such as hobs, ovens, heater cores and stoves and at least 5 cm away from electrical ovens. Product must not be subjected to direct sun light and kept in humid places after installation.
- Appropriate air ventilation must be provided around your product in order to achieve an efficient operation. If the product is to be placed in a recess in the wall, pay attention to leave at least 5 cm distance with the ceiling and side walls.

- Do not place the product on the materials such as rugs or carpets.
- Place the product on an even floor surface to prevent jolts.
- Do not install the product in places where the temperature falls below 10°C /50°F.



If two coolers are to be installed side by side, there should be at least 4 cm distance between them.

3.2 Installing the plastic wedges

Plastic wedges are used to create the distance for the air circulation between the product and the rear wall. Insert the 2 plastic wedges onto the rear ventilation cover as illustrated in the figure. To install the wedges, remove the screws on the product and use the screws given in the same pouch with the wedges.

3.3 Electrical connection

Connect the product to a grounded outlet protected by a fuse complying with the values in the rating plate. Our company shall not be liable for any damages that will arise when the product is used without grounding in accordance with the local regulations.

- Electrical connection must comply with national regulations.
- Power cable plug must be within easy reach after installation.
- The voltage and allowed fuse or breaker protection are specified in the Rating Plate which is affixed to interior of the product. If the current value of the fuse or breaker in the house does not comply with the value in the rating plate, have a qualified electrician install a suitable fuse.
- The specified voltage must be equal to your mains voltage.
- Do not make connections via extension cables or multi-plugs.

Installation



WARNING: Damaged power cable must be replaced by the Authorised Service Agents.



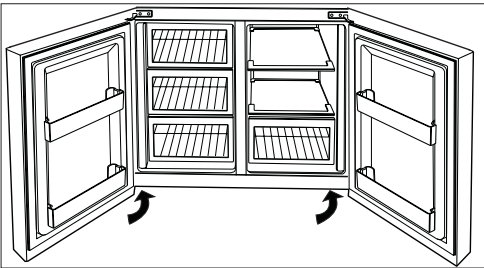
WARNING: If the product has a failure, it should not be operated unless it is repaired by the Authorised Service Agent! There is the risk of electric shock!

3.4 Adjusting the feet

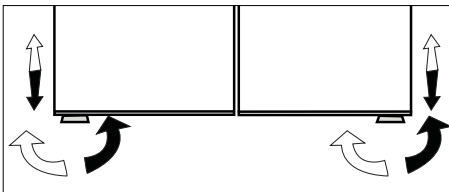
If the product stands unbalanced after installation adjust the feet. Taking help from someone to slightly lift the refrigerator will facilitate this process.



WARNING: First unplug the product. Product must not be plugged in when adjusting the feet. There is the risk of electric shock!

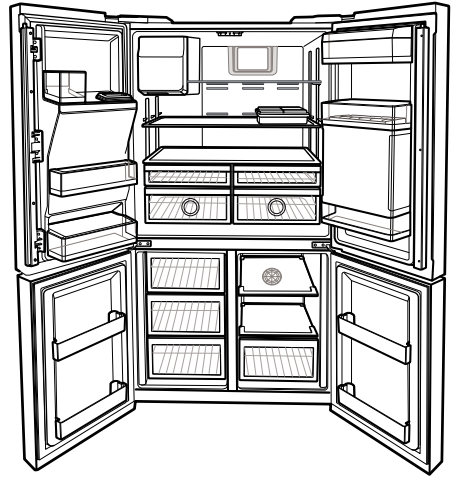


Turn the front feet to balance the product. The corner where the foot exists is lowered when you turn in the direction of arrow and raised when you turn it in the opposite direction.



3.5 Illumination lamp

Do not attempt to repair yourself but call the Authorised Service Agent if the LED illumination lamps do not go on or are out of order.



3.6 Door open warning

(This feature may vary depending on the door of the product and may not exist in some models.)

An audio warning signal will be given when the door of your product is left open for 1 minute. This warning will be muted when the door is closed or any of the display buttons (if any) are pressed.

3.7 Water connection

Depending on the model of the refrigerator, you can connect it either to a demijohn or water mains. First you must connect the water hose to the refrigerator.



In cases where a demijohn is used, a separate pump must also be used.



WARNING: Refrigerator and the pump, if any, must be unplugged during connection.

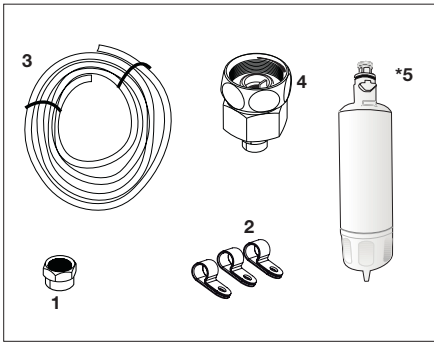


Following parts may not be supplied with your product since they are not required when using a demijohn.

Installation

Check that following parts have been delivered together with the product:

1. Union for connecting the water hose to the rear of the refrigerator
2. 3 pieces of pipe clips (used to secure the water hose)
3. 5-meter long water hose (1/4 inch in diameter)
4. Cold mains water valve with mesh filter (tap adapter)
5. External water filter. (If there is a demijohn connection; it is not necessary to use a water filter.)



3.8 Connecting the water hose to the refrigerator

1. Slip the union (b) onto the water hose (a).
2. Push the water hose downwards firmly to slip it onto the water inlet valve (c).
3. Tighten the union (c) by hand to secure it onto the water inlet valve.

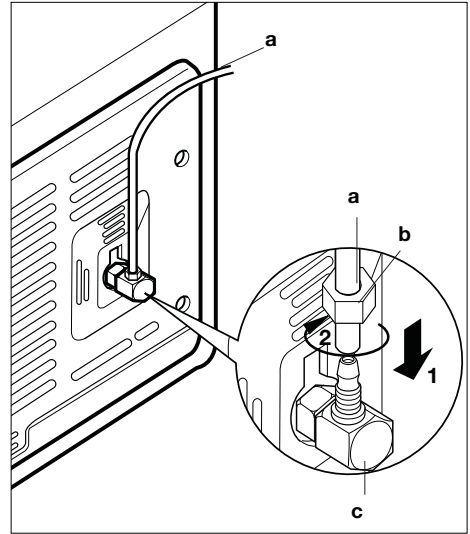


Normally, you are not required to tighten the union with a tool. However, you can use a spanner or pliers to tighten the union if there is a leakage.

3.9 Connecting of the water hose to the cold water mains line

(in some models)

If you will use the refrigerator by connecting it to the cold water mains line, you must install a standard 1/2" valve connector to the cold water installation of your home. If this valve is not present or you are not sure, consult a qualified plumber.



1. Separate the union from the tap adaptor.
2. Install the tap adaptor to standard 1/2" valve connector.
3. After inserting the water hose to the union, install it to the tap adaptor and insert to the union to the tap adapter.
4. Tighten the union by hand.



WARNING: Secure the water hose to suitable points by means of the clips supplied to avoid any damage or displacement or accidental disconnection.

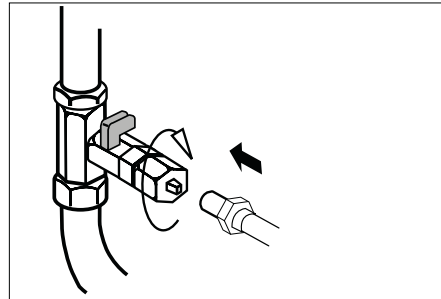
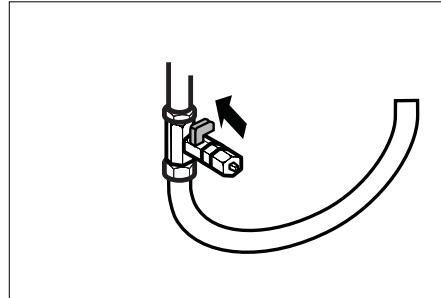
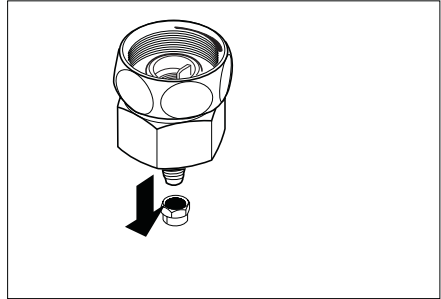
Installation



WARNING: After turning on the water valve, make sure that there is no leakage at both connection points of the water hose. If there is a leakage, turn off the valve immediately and tighten all joints again using a spanner or a pliers.



WARNING: Make sure that standard 1/2" valve connector is available and completely turned off on your cold water mains line.



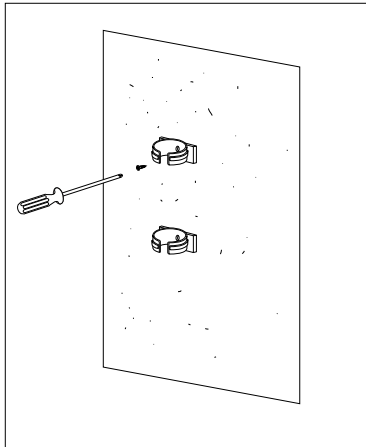
3.10 Water filter

(in some models)

Your refrigerator may be equipped with an external or internal filter depending on its model. To fit the water filter, follow the instructions below referring to the figures supplied:

3.10.1 Mounting the external filter onto the wall

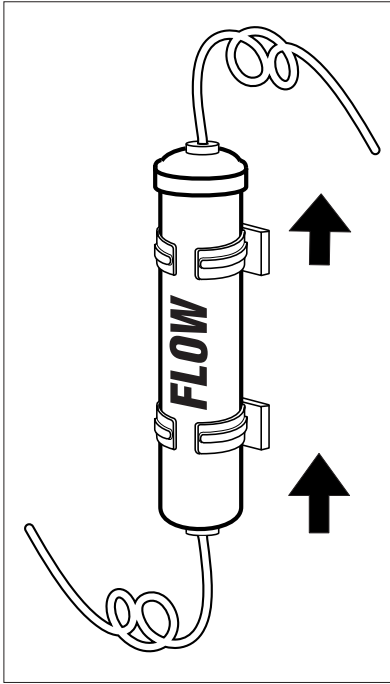
1. First, determine the location to mount the external filter.
2. Then, determine the distance between the filter and the tap and filter and the water inlet respectively. Prepare hoses at required lengths.
3. Mount the filter connection kit onto the wall by using a screwdriver and attach the filter.



Installation



WARNING: Water filter must be held upright as shown in the figure. It is critical to connect the water inlet and outlet hoses on the filter correctly.

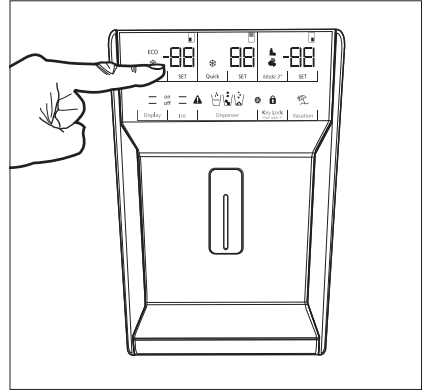


After connecting the filter, do not consume the first 10 glasses of water.

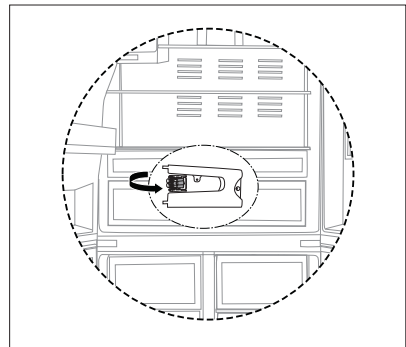
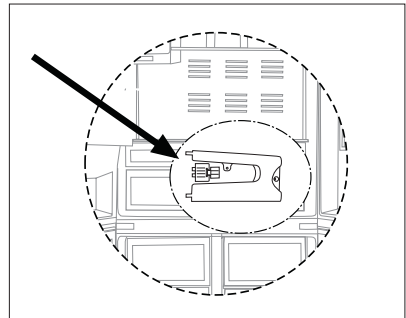


WARNING: Never mount the filter onto the refrigerator. Coolant pipes might be pierced!

3.10.2 Attaching the internal filter into the refrigerator



1. Press “Ice Off” button on the display.
2. Remove the crisper and chiller compartments to access the water filter.
3. Remove the water filter bypass cover by turning it downwards.



Installation



WARNING: Ensure that the Ice Off mode is enabled before removing the by-pass cover.



It is normal that a few drops of water drip after the cover has been removed.

4. Seat the water filter cover into the mechanism and push forwards to lock it in place.
5. Press **"Ice Off"** button on the display again to exit this mode.



Water filter must be replaced every 6 months. When replacing the water filter or if you will not use the filter anymore, remove it as illustrated in the figure and install the bypass cover. Make sure that the "Ice Off" mode is enabled before removing the filter.



WARNING: Water filter cleans some foreign particles in the water. It does not purify water from microorganisms.



WARNING: Ice Off button must be pressed before replacing the water filter or installing the by-pass cover.



WARNING: Unplug the product during the replacement of the filter.

3.11 Connecting the water hose to demijohn

(in some models)

To make the water supply connection between the refrigerator and the demijohn, you must use a water pump. Follow the instructions below after connecting one end of the water hose coming out of the pump to the refrigerator.

1. Complete the connection by pushing the other end of the water hose into the water hose inlet of the pump.
2. Put and fix the pump hose into the demijohn.
3. After completing the connection, plug in and run the pump.



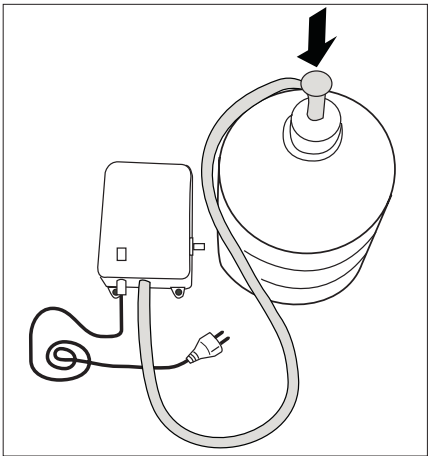
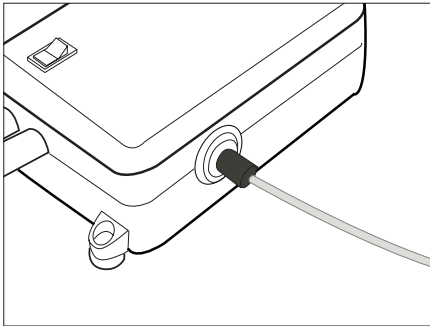
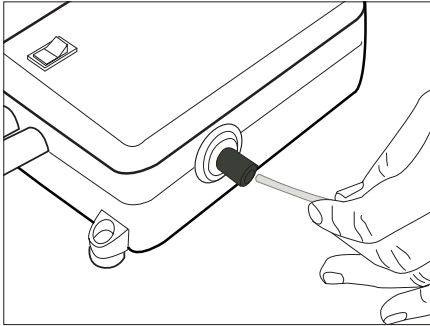
After the pump starts to operate, wait for 2-3 minutes to allow it attain the required efficiency.



You can refer to the user manual of the pump while making the water connection.



There is no need to use water filter if you will be using a demijohn.



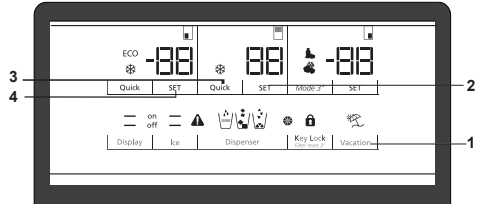
3.12 Things to do to have the filter usage time calculated automatically

(in some models)

(For products connected to the mains water line and equipped with filter)

1- Plug in the refrigerator. Press **A** (key lock) button simultaneously to enable the key lock.

2- Then press on the following buttons in turn.



1. Vacation button

2. Fridge temperature setting button

3. Quick Cool setting button

4. Freezer temperature setting button

When the buttons are pressed in the correct order, Key Lock symbol will turn off, buzzer will sound shortly and Filter Change Warning indicator will turn on. When the **Filter Replacement Warning** button is pressed on, filter usage times are started to be calculated automatically.



If the filter usage time is calculated automatically, Filter Change Warning indicator will illuminate continuously in a few seconds after the product is plugged in.



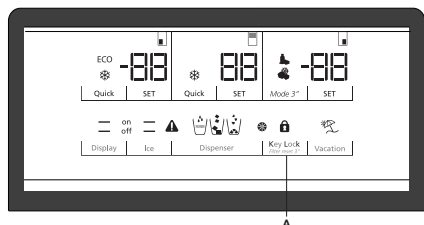
Automatic filter usage time calculation is not enabled ex factory. It must be enabled in products equipped with a filter.



If the same procedure is repeated when the automatic filter usage time calculation is enabled, then the function will be cancelled.

3.13 Before starting to use the water/ice dispenser

- If the water pressure is below 1 bar or a demijohn will be used, than a separate must be used as well.



- Water system of the refrigerator must be connected to the cold water line. **It must not be connected to hot water line.**
- No water may be obtained in the initial start-up of the refrigerator. Because there is air in the system. To discharge air from the system, press dispenser latch for 1-2 minutes until water comes from the dispenser. Water flow may be irregular at the beginning. After the air in the system is discharged, water flow will return to normal.
- During initial use, you will have to wait approximately 12 hours for the water to cool down.
- It will take around 1-2 days for the system to produce required amount of ice.
- Water pressure must be between 1-8 bars for the operation of ice/water dispenser smoothly. For this, check that 1 glass of water (100 cc) can be filled in 10 seconds.
- The first 10 glasses of water should not be consumed.
- You must wait approximately 12 hours to obtain ice from the ice dispenser for the first time. If there is not enough ice in the ice container, ice may not be obtained from ice dispenser.
- Do not consume the first 30 pieces (3-4 Litres) of ice cubes.
- First several glasses of water may be turbid when the filter is used for the first time. Therefore, do not consume the first several glasses of water.
- If the water dispenser is not used for a long period of time, first 1-2 glasses of water can be hot.
- If a power outage or a temporary failure occurs while the refrigerator is operating, ice can melt down a little bit and then get frozen again. In such a case, ice cubes can stick to each other. If the outage or failure prolongs, ice can melt down causing water leakage. If you experience such a problem, empty and clean the ice container.
- Ice cubes can stick to each other if they are left in the container for a long time.
- Water system installation of the refrigerator must be performed by the Authorised Service Agent.
- If the product is to be connected to the water mains, make sure that you use potable water.
- Water system of the product is designed to operate only with water. Do not use beverage such as soft drinks and/or juices in the water system.
- It is recommended that the water is disconnected if you will not be using the refrigerator for a long period of time due to vacation or similar reasons.
- Do not attempt to dismantle the ice container group assembly parts.
- Do not attempt to clean the ice container assembly without removing it from the refrigerator.
- When taking water from the water dispenser, remove the glass from the opening 1 second after releasing the trigger. Thus, water in the system will not drip into the drip tray.

3.14 Transportation of the product

1. Unplug the product before transporting it.
2. Remove water connections.
3. Secure the shelves, accessories, crisper and etc. in the refrigerator by adhesive tape before repackaging it.



Packaging must be tied with thick tapes or strong ropes and the rules of transportation printed on the package must be followed.



Original packaging and foam materials should be kept for future transportations.



WARNING: Packaging materials are dangerous for the children. Keep packaging materials in a safe place away from reach of the children.

4 Preparation

4.1 Things to be done for energy saving



Connecting the product to electric energy saving systems is risky as it may cause damage on the product.

- Do not leave the doors of your refrigerator open for a long time.
- Do not put hot food or drinks in your refrigerator.
- Do not overload the refrigerator. Cooling capacity will fall when the air circulation inside is hindered.
- Do not place the refrigerator in places subject to direct sunlight. Install the product at least 30 cm away from heat sources such as hobs, ovens, heater cores and stoves and at least 5 cm away from electrical ovens.
- Pay attention to store your food in refrigerator in closed containers.
- You can load maximum amount of food to the freezer compartment of the refrigerator by removing the freezer compartment shelf or drawer. Declared energy consumption value of the refrigerator was determined with the freezer compartment shelf or drawer removed and with maximum amount of food loaded. There is no risk in using a shelf or drawer suitable for the shapes and sizes of the foods to be frozen.
- Thawing frozen food in fridge compartment will both provide energy saving and preserve the food quality.



The ambient temperature of the room where you install the refrigerator should at least be 10°C /50°F. Operating your refrigerator under cooler conditions than this is not recommended.



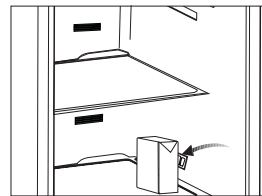
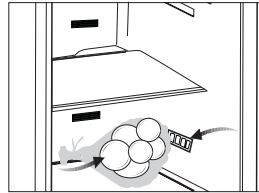
Inside of your refrigerator must be cleaned thoroughly.



If two coolers are to be installed side by side, there should be at least 4 cm distance between them.

4.2 Recommendations for the fresh food compartment

- Do not allow the food to touch the temperature sensor in fresh food compartment. To allow the fresh food compartment keep its ideal storage temperature, sensor must not be hindered by food.
- Do not put hot food and beverages inside the product.



4.3 Initial use

Before starting to use the product, check that all preparations are made in accordance with the instructions in sections "Important instructions for safety and environment" and "Installation".

- Clean the interior of the refrigerator as recommended in the "Maintenance and cleaning" section. Check that inside of it is dry before operating it.
- Plug the refrigerator into the grounded wall outlet. When the door is opened the interior illumination will turn on.
- Run the refrigerator without putting any food for 6 hours and do not open its door unless certainly required.

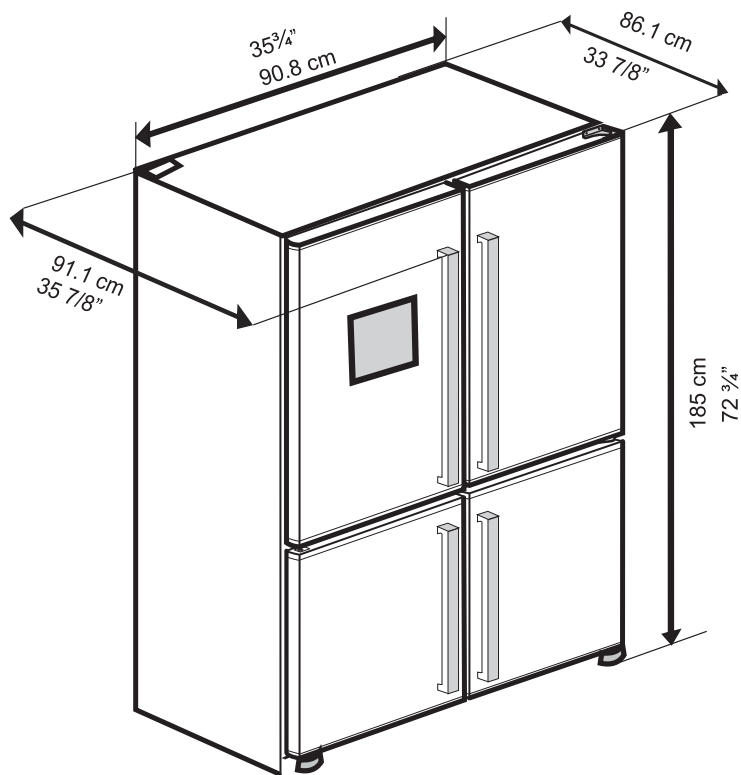


You will hear a noise when the compressor starts up. The liquids and gases sealed within the refrigeration system may also give rise to noise, even if the compressor is not running and this is quite normal.



Front edges of the refrigerator may feel warm. This is normal. These areas are designed to be warm to avoid condensation.

Preparation



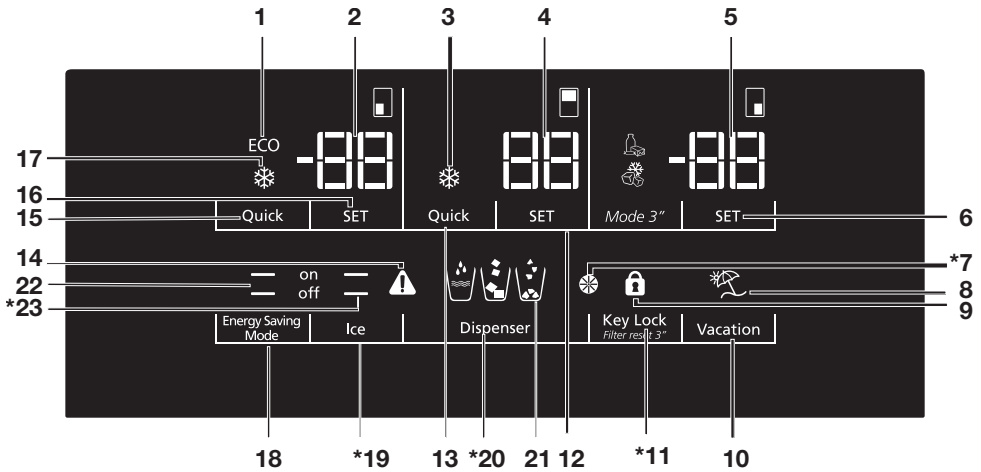
Height (cm/inch) unpacked	185 -72 ³ / ₄ "
Width (cm/inch) unpacked	90.8 -35 ³ / ₄ "
Depth (cm/inch) unpacked	86.1- 33 ⁷ / ₈ "

Height (cm/inch)packed	196.3-77 ¹ / ₅ "
Width (cm/inch)packed	104.9 - 41 ¹ / ₅ "
Depth (cm/inch) packed	95.2-37.4"
Gross Weight (Kg) / lbs	143.5-315.7
Net Weight (Kg) / lbs	130 -286

5 Operating the product

5.1 Indicator panel

Touch-control indicator panel allows you to set the temperature and control the other functions related to the product without opening the door of the refrigerator. Just press the relevant buttons for function settings.



- 1- Economy Mode indicator
- 2- Freezer Compartment Temperature indicator
- 3- Quick Fridge Function indicator
- 4- Fridge Compartment Temperature indicator
- 5- Multi Zone Compartment Temperature indicator
- 6- Multi Zone Compartment Temperature Setting button
- 7- Filter Change Warning indicator
- 8- Vacation Function indicator
- 9- Key Lock indicator
- 10- Vacation / °C-°F Toggle button
- 11- Key Lock / Cancel Filter Change Warning button
- 12- Fridge Compartment Temperature Setting button
- 13- Quick Fridge button
- 14- Error Status indicator
- 15- Quick Freeze button
- 16- Freezer Compartment Temperature Setting button
- 17- Quick Freeze Function indicator
- 18- Energy Saving Mode
- 19- Ice making on/off button
- 20- Water, crushed ice, ice cube selection button
- 21- Water, crushed ice, ice cube indicator
- 22- Display on/off indicator
- 23- Ice making on/off indicator

***OPTIONAL**



Figures in this user manual are schematic and may not match the product exactly. If the subject parts are not included in the product you have purchased, then those parts are valid for other models.

Operating the product

1. Economy Mode indicator

Indicates that the refrigerator is running in energy-efficient mode. This indicator will be active if the Freezer Compartment temperature is set to -18 or the energy efficient cooling is being performed due to **Eco-Extra** function.

2. Freezer Compartment Temperature indicator

Indicates the temperature set for freezer compartment.

3. Quick Fridge Function indicator

Indicates that the Quick Fridge function is enabled. Use this function when you place fresh food into the fridge compartment or when you need to cool your food quickly. When this function is activated, the refrigerator will run for 2 hours. To cancel this function, press **Quick Cool** button.

4. Fridge Compartment Temperature indicator

Indicates the temperature set for Fridge compartment.

5. Multi Zone Compartment Temperature indicator

Indicates the temperature set for Multi Zone compartment.

6. Multi Zone Compartment Temperature Setting button

You can set the Multi Zone compartment either as a freezer or a fridge.

Press this button for 3 seconds to set the Multi Zone compartment either as a freezer or fridge. This compartment is set as freezer ex factory.

7. Filter Change Warning indicator

Indicates that the filter usage time has elapsed.

8. Vacation Function indicator

Indicates that the Vacation Function is active. When Vacation Function is active, "- -" appears on the Fridge Compartment Temperature indicator and no active cooling is performed in the fridge compartment. In this function, it is not appropriate to keep food in the fridge compartment. Other compartments will be cooled in accordance with the temperature set for them.

To cancel this function, press **Vacation** button again.

9. Key Lock indicator

Use this function if you want to prevent temperature setting of the refrigerator from being changed. To activate this function, press **Key Lock** button.

10. Vacation /°C-°F Toggle button

Press this button briefly to activate the Vacation function.

Press and hold this button for 3 sec. to activate °C-°F Toggle function.

Press this button again to deactivate selected function.

11. Key Lock /Cancel Filter Change Warning button

Press this button briefly to activate keylock feature. Press and hold 3 sec to turn off filter Warning Light.

Filter of your refrigerator must be replaced every 6 months. If you apply instructions in the Section 3.12, your refrigerator calculates this time automatically and the Filter Change Warning indicator illuminates when the filter usage time has elapsed.

12. Fridge Compartment Temperature Setting button

Press this button to set the temperature of the fridge compartment to 8,6,4,2, 8... respectively. Press this button to set the fridge compartment temperature to the desired value.

13. Quick Fridge button

Press this button to enable the Quick Fridge function. Press the same buttons again to disable the function.

14. Error Status indicator

If the refrigerator does not cool adequately or if a sensor failure occurs, this indicator will be enabled.

When this indicator is enabled, Freezer Compartment Temperature indicator will display "E" and Fridge Compartment Temperature Indicator will display numbers such as "1,2,3...". Numbers on the indicator provide information about the error for the service personnel.

15. Quick Freeze button

Press this button to enable the Quick Freeze function. Press the same button again to disable the function.

16. Freezer compartment Temperature Setting button

Press this button to set the temperature of the freezer compartment to -18,-20,-22,-24, -18... respectively. Press this button to set the freezer compartment temperature to the desired value.

17. Quick Freeze Function indicator

Indicates that the Quick Freeze function is enabled.

18. Energy Saving Mode

This function is activated automatically. When this function is active, the indicator LEDs will be turned off and the product operates in energy saving mode.

19. Ice making on/off button

It enables stopping or resuming the ice-making process.

20. Water, crashed ice, ice cube selection button

Press this button to take water, crashed ice or ice cubes. Then take ice or water as you like by pressing the trigger.

21. Water, crashed ice, ice cube indicator

According to your preference, water, crashed ice or ice cube option lights on the display.

22. Display on/off indicator

Display lights up to indicate that the display is on or off.

23. Ice making on/off indicator

Display lights up to indicate whether ice is made or not.

Operating the product

5.2 Dual cooling system

Your refrigerator is equipped with three separate cooling systems to cool the fresh food compartment, frozen food compartment and multi zone compartment. Thus, air and odour in the fresh food compartment and frozen food compartment do not get mixed. Thanks to these two separate cooling systems, cooling speed is much higher than other refrigerators. Also additional power saving is provided since the defrosting is performed individually.

5.3 Freezing fresh food

- Wrap the food or place them in a covered container before putting them in the refrigerator.
- Hot food and beverages must cool down to the room temperature before putting them in the refrigerator.
- The food that you want to freeze must be fresh and in good quality.
- Divided the food into portions according to your family's daily or meal based consumption needs.

- Pack the food in an airtight manner to prevent them from drying even if they are going to be stored for a short time.
- Materials to be used for packaging must be tear-proof and resistant to cold, humidity, odour, oils and acids and they must also be airtight. Moreover, they must be well closed and they must be made from easy-to-use materials that are suitable for deep-freezers.
- Frozen food must be used immediately after they are thawed and they should never be re-frozen.
- Do not freeze too large quantities of food at one time. The quality of the food is best preserved when it is frozen right through to the core as quickly as possible.
- Placing warm food into the freezer compartment causes the cooling system to operate continuously until the food is frozen solid.

Freezer Compartment Setting	Fridge Compartment Setting	Explanations
-15°C /5°F	4°C/40°F	This is the normal recommended setting.
-18°C/ 0°F or -21°C/- 5°F	4°C/40°F	These settings are recommended when the ambient temperature exceeds 30°C/86°F.
Quick Freeze	4°C/40°F	Use when you wish to freeze your food in a short time. Your refrigerator will return to its previous mode when the process is over.
-15°C /5°F or colder	2°C/37°F	Use these settings if you think that your fridge compartment is not cold enough because of the hot ambient conditions or frequent opening and closing of the door.
-15°C /5°F or colder	Quick Fridge	Use this function when you place too much into the fridge compartment or when you need to cool your food quickly. It is recommended that you activate Quick Fridge function 4-8 hours before placing the food.

Recommended Using Temperature: FF: 4°C /40 °F Frz : -15°C/5 °F

Operating the product

5.4 Recommendations for preserving the frozen food

- Frozen food that you have purchased should be stored in accordance with the frozen food manufacturer's instructions for a ******** (4 star) frozen food storage compartment.
- Note the following to ensure that the high quality achieved by the frozen food manufacturer and the food retailer is maintained:
 1. Put packets in the freezer as quickly as possible after purchase.
 2. Make sure that contents of the package are labelled and dated.
 3. Check whether the "Use By" and "Best Before" dates on the packaging are exceed or not.

5.5 Placing the food

Freezer compartment shelves	Various frozen food such as meat, fish, ice cream, vegetables and etc.
Egg holder	Egg
Fridge compartment shelves	Food in pans, covered plates and closed containers
Fridge compartment door shelves	Small and packaged food or beverage (such as milk, fruit juice, beer and etc.)
Crisper	Vegetables and fruits
Fresh zone compartment	Delicatessen products (cheese, butter, salami and etc.)

5.6 Deep-freeze information

Food must be frozen as rapidly as possible when they are put in a refrigerator in order to keep them in good quality.

You can keep the freshness of food for many months (at -15°C /5°F or lower temperatures in the deep freeze).



Divided the food into portions according to your family's daily or meal based consumption needs.



Pack the food in an airtight manner to prevent them from drying even if they are going to be stored for a short time.

- Materials necessary for packaging:
- Cold resistant adhesive tape
- Self adhesive label
- Rubber rings
- Pen

Materials to be used for packaging the foodstuff must be tear-proof and resistant to cold, humidity, odour, oils and acids.

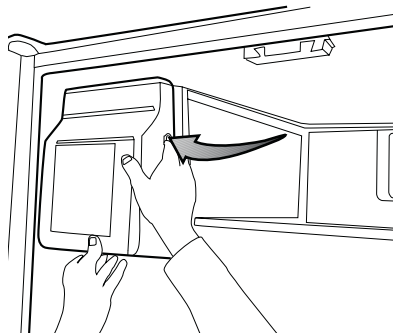
Foods to be frozen should not be allowed to come in contact with the previously frozen items to prevent them from getting thawed partially.



Frozen food must be used immediately after they are thawed and they should never be re-frozen.

5.7.1 Using the Icematic (in some models)

1. To remove the ice container, turn the latch located at the handle and take the container out.
2. When placing the container, ensure that the position of the spiral inside the container is appropriate. Do not touch any moving parts.



Icematic will not operate if the refrigerator's door is open.

When you switch from ice cubes to crashed ice, crashed iced that have remained from previous operation may be dispensed.

Operating the product

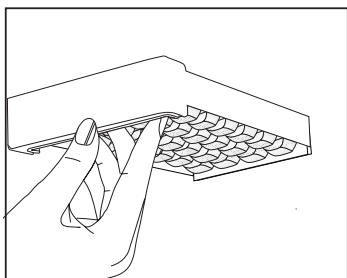
Under normal conditions, you can start to use the Icematic at full capacity after one day. Icematic allows you to obtain ice from the refrigerator easily.

5.7.2 Making ice

(in some models)

Fill the ice container with water and place it into its seat. Your ice will be ready approximately in two hours.

You can easily remove your ice by slightly twisting the ice container.



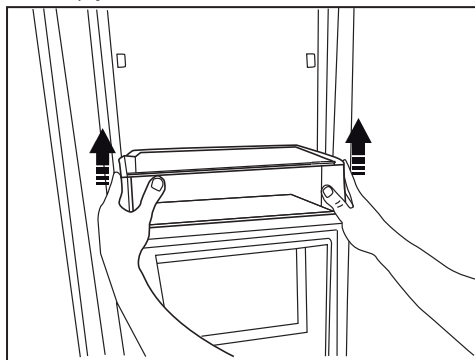
5.8 Removing door shelves

You can remove the door shelves to clean them.

Push the desired shelf up to remove it.

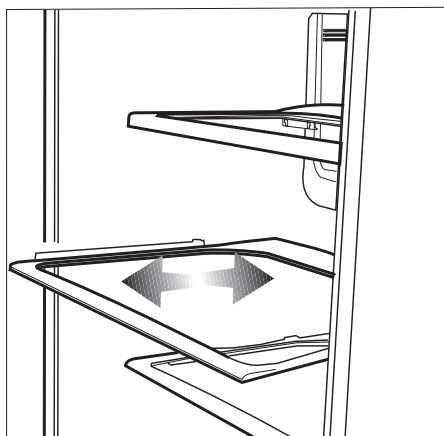
Do not remove the door shelf when there is food in it.

First empty the materials inside in.



5.9 Glass shelves

You can remove the glass shelves to clean them. Be careful when removing the shelves since they are heavy.



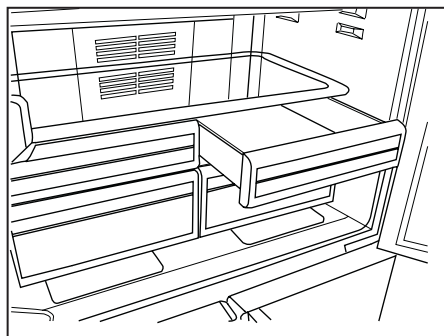
5.10 Chiller compartment

(in some models)

Chiller compartments allow you to prepare the food for freezing. You can also use these compartments to store your food at a temperature a few degrees below the fridge compartment.

You can increase the inner volume of your refrigerator by removing any of the chiller compartments:

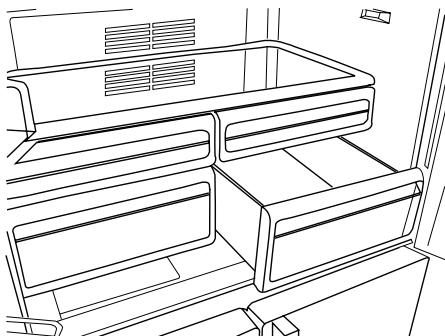
1. Pull the compartment towards yourself until it stops.
2. Lift the compartment about 1 cm up and pull towards yourself to remove it from its seating.



Operating the product

5.11 Crisper

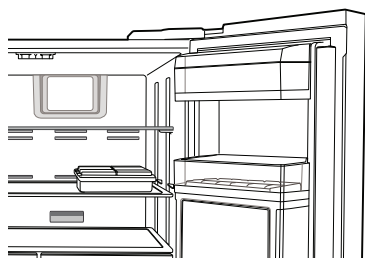
Crisper of the refrigerator is designed specially to keep the vegetables fresh without losing their humidity. For this purpose, cool air circulation is intensified around the crisper in general. Remove the door shelves that stand against the crisper before removing the crispers.



5.12 Butter & Cheese section

(in some models)

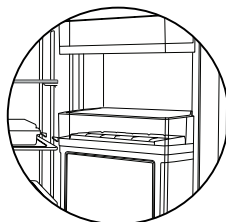
Store food such as butter, cheese and margarine in this section.



5.13. Egg holder

You can install the egg holder to the desired door or body shelf.

Never keep the egg holder in the freezer compartment.

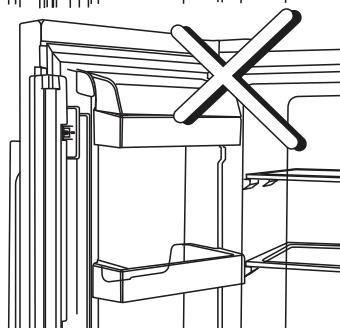
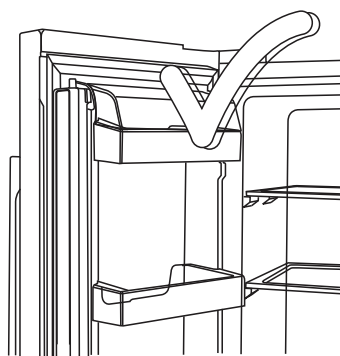


5.14 Movable middle section

Movable middle section is intended to prevent the cold air inside the refrigerator from escaping outside. Sealing is provided when the gaskets on the door presses on the surface of the movable middle section while the fridge compartment doors are closed.



Movable middle section is closed when the left door of the fridge compartment is open. Movable middle section moves with the aid of the plastic part on the body while closing the door. Do not try to open by hand.



Operating the product

5.15 Multi Zone Storage compartment

You can use the Multi Zone compartment in desired mode by setting it to freezer or fridge temperatures.

Selecting fridge mode

Press Multi Zone Compartment Temperature

Setting button to set the temperature between 0 °C /32°F and 10 °C /50°F.



You can store delicatessen products at 0 °C /32°F for a long period of time.

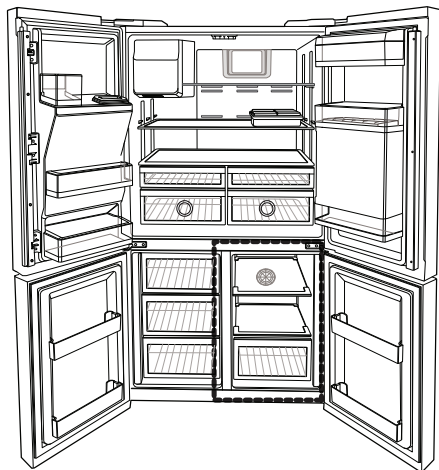
Selecting freezer mode

Press Multi Zone Compartment Temperature

Setting button to set the temperature to -6 °C /21°F.



You can store the meats up to 2 weeks at -6 °C /21°F in an easily cuttable condition.

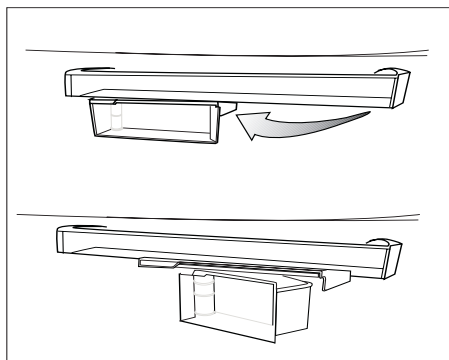


The required temperature is provided by a valve located in the closed section (compressor compartment) at the rear of the refrigerator. During operation of this element, a sound similar to the tick-tuck of an analog clock may be heard. This is normal and not a fault.

5.16 Rotating storage container

(in some models)

This accessory is designed to increase the usable volume of the door shelves.



Operating the product



When the rotating storage container is open, do not close the door of the refrigerator.

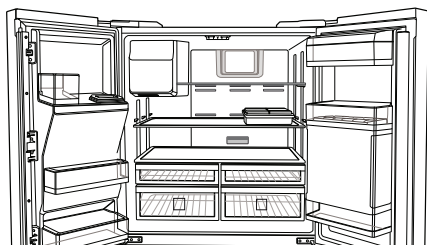


Do not overload the rotating storage container by placing a lot of materials in it.

5.17 Blue light

(in some models)

Crispers of the refrigerator are illuminated with blue light. Food stored in the crispers continue their photosynthesis by means of the wavelength effect of blue light and thus, preserve their freshness and increase their vitamin content.



5.18 Ion

(in some models)

Air is ionized by means of the ionizer system in the fridge compartment air duct. Thanks to this system, air-borne bacteria and odorising molecules are eliminated.

5.19 Odour filter

(in some models)

Odour filter in the air duct of the fridge compartment prevents build-up of unpleasant odours in the refrigerator.

5.20 Using water dispenser

(in some models)

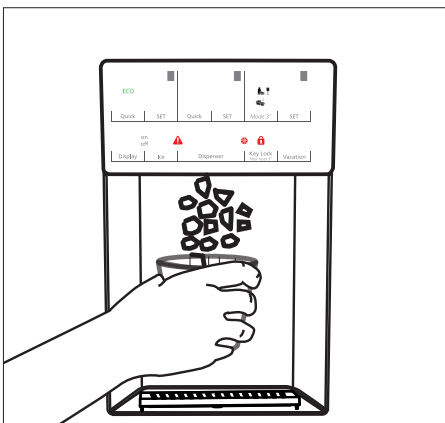
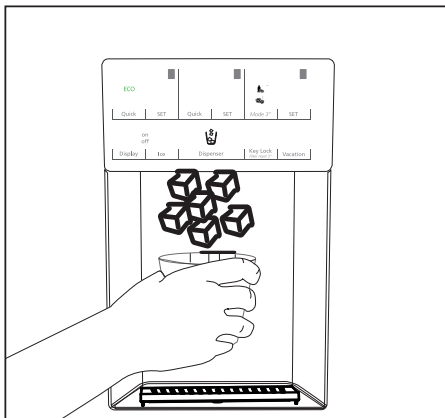
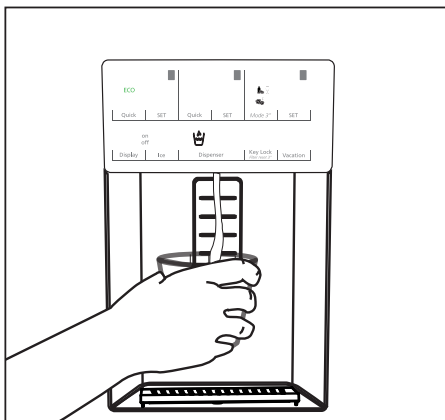


It is normal for the first few glasses of water taken from the dispenser to be warm.



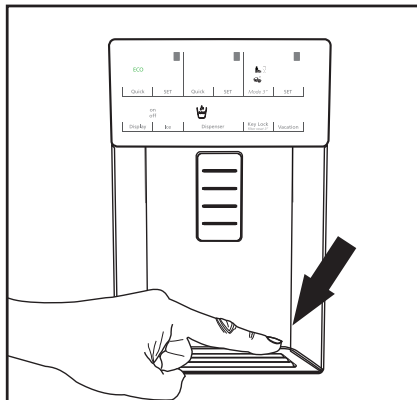
If the water dispenser is not used for a long period of time, dispose of first few glasses of water to obtain fresh water.

During initial use, you will have to wait approximately 12 hours for the water to cool down. To take water from the display, first select the water option, then obtain the water by pulling the trigger. Take out the glass a little while after you pull the trigger.



5.21 Drip tray (in some models)

Water that drips while using the water dispenser accumulates in the drip tray. Remove the drip tray by pulling it to you or pressing on its edge (depending on the model). Remove the water with a sponge or a soft cloth.



6 Maintenance and cleaning

Service life of the product extends and frequently faced problems decrease if cleaned at regular intervals.



WARNING: Unplug the product before cleaning it.

- Never use gasoline, benzene or similar substances for cleaning purposes.
- Never use any sharp and abrasive tools, soap, household cleaners, detergent and wax polish for cleaning.
- Dissolve one teaspoon of carbonate in half litre of water. Soak a cloth with the solution and wrung it thoroughly. Wipe the interior of the refrigerator with this cloth and the dry thoroughly.
- Make sure that no water enters the lamp housing and other electrical items.
- If you will not use the refrigerator for a long period of time, unplug it, remove all food inside, clean it and leave the door ajar.
- Check regularly that the door gaskets are clean. If not, clean them.
- To remove door and body shelves, remove all of its contents.
Remove the door shelves by pulling them up. After cleaning, slide them from top to bottom to install.
- Never use cleaning agents or water that contain chlorine to clean the outer surfaces and chromium coated parts of the product. Chlorine causes corrosion on such metal surfaces

6.1 Avoiding bad odours

Materials that may cause odour are not used in the production of our refrigerators. However, due to inappropriate food preserving conditions and not cleaning the inner surface of the refrigerator as required can bring forth the problem of odour. Pay attention to following to avoid this problem:

- Keeping the refrigerator clean is important. Food residuals, stains, etc. can cause odour. Therefore, clean the refrigerator with carbonate dissolved in water every 15 days. Never use detergents or soap.

- Keep the food in closed containers. Microorganisms spreading out from uncovered containers can cause unpleasant odours.
- Never keep the food that have expired best before dates and spoiled in the refrigerator.

6.2 Protecting the plastic surfaces

Do not put liquid oils or oil-cooked meals in your refrigerator in unsealed containers as they damage the plastic surfaces of the refrigerator. If oil is spilled or smeared onto the plastic surfaces, clean and rinse the relevant part of the surface at once with warm water.

7 Troubleshooting

Please review this list before calling the service. It will save your time and money. This list includes frequent complaints that are not arising from defective workmanship or material usage. Some of the features described here may not exist in your product.

The refrigerator does not operate.

- The plug is not inserted into the socket correctly. >>> *Insert the plug into the socket securely.*
- The fuse of the socket which your refrigerator is connected to or the main fuse have blown out. >>> *Check the fuse.*

Condensation on the side wall of the fridge compartment (MULTIZONE, COOL CONTROL and FLEXI ZONE).

- Ambient is very cold. >>> *Do not install the refrigerator in places where the temperature falls below 10 °C.*
- Door has been opened frequently. >>> *Do not open and close the door of refrigerator frequently.*
- Ambient is very humid. >>> *Do not install your refrigerator into highly humid places.*
- Food containing liquid is stored in open containers. >>> *Store food with liquid content in closed containers.*
- Door of the refrigerator is left ajar. >>> *Do not leave the doors of your refrigerator open for a long time.*
- Thermostat is set to a very cold level. >>> *Set the thermostat to a suitable level.*

Compressor is not running

- Protective thermic of the compressor will blow out during sudden power failures or plug-out plug-ins as the refrigerant pressure in the cooling system of the refrigerator has not been balanced yet. The refrigerator will start running approximately after 6 minutes. Please call the Authorised Service Agent if the refrigerator does not start at the end of this period.
- The fridge is in defrost cycle. >>> *This is normal for a full-automatically defrosting refrigerator. Defrosting cycle occurs periodically.*
- The refrigerator is not plugged into the socket. >>> *Make sure that the plug is fit into the socket.*
- Temperature settings are not made correctly. >>> *Select the suitable temperature value.*
- There is a power outage. >>> *Refrigerator returns to normal operation when the power restores.*

The operation noise increases when the refrigerator is running.

- The operating performance of the refrigerator may change due to the changes in the ambient temperature. It is normal and not a fault.

The refrigerator is running frequently or for a long time.

- New product may be wider than the previous one. Larger refrigerators operate for a longer period of time.
- The room temperature may be high. >>> *It is normal that the product operates for longer periods in hot ambient.*
- The refrigerator might be plugged in recently or might be loaded with food. >>> *When the refrigerator is plugged in or loaded with food recently, it will take longer for it to attain the set temperature. This is normal.*
- Large amounts of hot food might be put in the refrigerator recently. >>> *Do not put hot food into the refrigerator.*
- Doors might be opened frequently or left ajar for a long time. >>> *The warm air that has entered into the refrigerator causes the refrigerator to run for longer periods. Do not open the doors frequently.*
- Freezer or fridge compartment door might be left ajar. >>> *Check if the doors are closed completely.*
- The refrigerator is adjusted to a very low temperature. >>> *Adjust the refrigerator temperature to a warmer degree and wait until the temperature is achieved.*
- Door seal of the fridge or freezer may be soiled, worn out, broken or not properly seated. >>> *Clean or replace the seal. Damaged/broken seal causes the refrigerator to run for a longer period of time in order to maintain the current temperature.*

Troubleshooting

Freezer temperature is very low while the fridge temperature is sufficient.

- The freezer temperature is adjusted to a very low value. >>> *Adjust the freezer temperature to a warmer degree and check.*

Fridge temperature is very low while the freezer temperature is sufficient.

- The fridge temperature is adjusted to a very low value. >>> *Adjust the fridge temperature to a warmer degree and check.*

Food kept in the fridge compartment drawers is frozen.

- The fridge temperature is adjusted to a very high value. >>> *Adjust the fridge temperature to a lower value and check.*

Temperature in the fridge or freezer is very high.

- The fridge temperature is adjusted to a very high value. >>> *Fridge compartment temperature setting has an effect on the temperature of the freezer. Change the temperatures of the fridge or freezer and wait until the relevant compartments attain a sufficient temperature.*
- Doors are opened frequently or left ajar for a long time. >>> *Do not open the doors frequently.*
- Door is ajar. >>> *Close the door completely.*
- The refrigerator is plugged in or loaded with food recently. >>> *This is normal. When the refrigerator is plugged in or loaded with food recently, it will take longer for it to attain the set temperature.*
- Large amounts of hot food might be put in the refrigerator recently. >>> *Do not put hot food into the refrigerator.*

Vibrations or noise.

- The floor is not level or stable. >>> *If the refrigerator rocks when moved slowly, balance it by adjusting its feet. Also make sure that the floor is strong enough to carry the refrigerator, and level.*
- The items put onto the refrigerator may cause noise. >>> *Remove the items on top of the refrigerator.*

There are noises coming from the refrigerator like liquid flowing, spraying, etc.

- Liquid and gas flows occur in accordance with the operating principles of your refrigerator. >>> *It is normal and not a fault.*

Whistle comes from the refrigerator.

- Fans are used in order to cool the refrigerator. It is normal and not a fault.

Condensation on the inner walls of refrigerator.

- Hot and humid weather increases icing and condensation. *It is normal and not a fault.*
- Doors are opened frequently or left ajar for a long time. >>> *Do not open the doors frequently. Close them if they are open.*
- Door is ajar. >>> *Close the door completely.*

Humidity occurs on the outside of the refrigerator or between the doors.

- There might be humidity in the air; this is quite normal in humid weather. >>> *When the humidity is less, condensation will disappear.*

Bad odour inside the refrigerator.

- No regular cleaning is performed. >>> *Clean the inside of the refrigerator regularly with a sponge, lukewarm water or carbonate dissolved in water.*
- Some containers or package materials may cause the smell. >>> *Use a different container or different brand packaging material.*
- Food is put into the refrigerator in uncovered containers. >>> *Keep the food in closed containers. Microorganisms spreading out from uncovered containers can cause unpleasant odours.*
- Remove the foods that have expired best before dates and spoiled from the refrigerator.

Troubleshooting

The door is not closing.

- Food packages are preventing the door from closing. >>> *Replace the packages that are obstructing the door.*
- The refrigerator is not completely even on the floor. >>> *Adjust the feet to balance the refrigerator.*
- The floor is not level or strong. >>> *Also make sure that the floor is level and strong enough to carry the refrigerator.*

Crispers are stuck.

- The food is touching the ceiling of the drawer. >>> *Rearrange food in the drawer.*



WARNING: If you cannot eliminate the problem although you follow the instructions in this section, consult your dealer or the Authorised Service Agent. Never try to repair a non-functional product yourself.

Veillez d'abord lire ce manuel d'utilisation!

Cher client,

Merci de préférer un produit votre. Nous espérons que vous tirerez le meilleur parti de votre appareil, qui est de très bonne qualité et a été fabriqué suivant une technologie de pointe. Par conséquent, veuillez lire attentivement tout ce manuel d'utilisation ainsi que tous les autres documents y afférents, avant d'utiliser cet appareil et conservez-le pour référence ultérieure. Si vous remettez cet appareil à quelqu'un d'autre, remettez-lui également le manuel d'utilisation. Respectez les avertissements et les mises en garde de ce manuel d'utilisation.

N'oubliez pas que le présent manuel d'utilisation est également valable pour plusieurs autres modèles. Les différences entre les différents modèles seront identifiées dans le manuel.

Explication des symboles

Les symboles ci-après sont utilisés dans le manuel d'utilisation:

	Informations importantes ou astuces.
	Avertissement relatif aux conditions dangereuses pour la vie et la propriété.
	Avertissement relatif au choc électrique.
	Les matériaux d'emballage de cet appareil sont fabriqués à partir de matériaux recyclables, conformément à nos Réglementations Nationales en Environnement.

Table des matières

1	Instructions importantes en matière de sécurité et d'environnement	3
1.1	Sécurité générale	3
1.1.2	Avertissement HCA	4
1.1.3	Pour les appareils dotés d'un distributeur d'eau	4
1.2	Utilisation prévue	5
1.3	Sécurité des enfants	5
1.4	Conformité avec la directive DEEE et mise au rebut des déchets :	5
1.5	Conformité avec la directive LdSD :	5
1.6	Informations relatives à l'emballage	6
2	Votre Congélateur / réfrigérateur	7
3	Installation	8
3.1	Lieu d'installation approprié	8
3.2	Installation des cales en plastique	8
3.3	Branchement électrique	9
3.4	Réglage des pieds	9
3.5	Ampoule	9
3.6	Avertissement - Porte ouverte	10
3.7	Raccordement du système d'alimentation en eau	10
3.8	Connexion du tuyau d'eau au Congélateur / réfrigérateur	10
3.9	Connexion du tuyau d'eau au tuyau d'alimentation en eau principal	11
3.10	Filtre à eau	12
3.10.1	Montage mural du filtre externe	12
3.10.2	Fixation du filtre interne dans le Congélateur / réfrigérateur	13
3.11	Connexion du tuyau d'eau à la dame-jeanne	14
3.12	Pour que le calcul de la durée d'utilisation du filtre se fasse automatiquement	15
3.13	Avant de commencer à utiliser le distributeur d'eau/de glace	15
3.14	Transport de l'appareil	16
4	Préparation	17
4.1	Mesures d'économie d'énergie.	17
4.2	Recommandations relatives au compartiment des produits frais	17
4.3	Première utilisation	18
5	Utilisation de l'appareil	20
5.1	Bandeau indicateur	20
5.2	Double système de refroidissement	23
5.3	Congélation des produits frais	23
5.4	Recommandations concernant la conservation des aliments congelés	25
5.5	Disposition des denrées	25
5.6	Informations concernant la congélation	25
5.7.1	Utilisation du distributeur	26
5.7.2	Fabrication des glaçons	26
5.8	Enlever les balconnets	26
5.9	Étagères en verre	26
5.10	Compartiment Zone fraîche	27
5.11	Bac à légumes	27
5.12	Section pour Beurre et Fromages	27
5.13	Support à œufs	27
5.14	Section centrale modulable	28
5.15	Compartiment de conservation Multi Zone	28
5.16	Récipient de conservation pivotant	29
5.17	Éclairage bleu	29
5.18	Ion	29
5.19	Filtre à odeurs	29
5.20	Utilisation du distributeur d'eau	29
5.21	Bac de dégivrage	30
6	Entretien et nettoyage	31
6.1	Prévention des mauvaises odeurs	31
6.2	Protection des surfaces en plastique	31
7	Dépannage	32

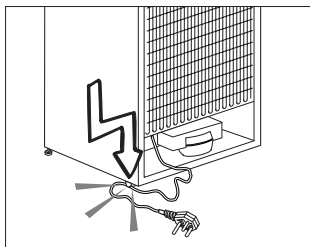
1 Instructions importantes en matière de sécurité et

d'environnement

Cette section comporte des instructions en matière de sécurité, qui vous permettront de vous protéger des blessures personnelles ou des dommages à la propriété. Si ces instructions ne sont pas observées, cela peut annuler la garantie.

1.1 Sécurité générale

- Cet appareil peut être utilisé par des enfants âgés de 8 ans ou plus, par des personnes ne jouissant pas de toutes leurs facultés physiques, sensorielles et mentales ou qui manquent d'expérience et de connaissance, à condition qu'elles soient supervisées ou formées à l'utilisation sécurisée de ce produit et aux risques encourus. Les enfants ne doivent pas jouer avec cet appareil. Le nettoyage et l'entretien ne doivent pas être exécutés par des enfants, à moins qu'ils ne soient supervisés par quelqu'un.
- Débranchez le produit si une panne survient alors qu'il est en cours d'utilisation.
- Ne pas utiliser cet appareil lorsqu'il est en panne, à moins qu'il ne soit réparé par le Prestataire de Services Agréé. Cette précaution permet d'éviter tout risque de choc électrique!
- Connectez cet appareil à une prise avec mise à la terre, protégée par un fusible conforme aux valeurs figurant sur la plaque signalétique. Faites installer la mise à la terre par un électricien qualifié. Notre entreprise ne sera pas tenue responsable de tout dommage survenu si vous utilisez cet appareil sans le raccorder à une mise à la terre, conformément aux réglementations locales.
- Débranchez l'appareil lorsque vous ne l'utilisez pas.
- N'aspergez pas l'appareil et n'y versez pas de l'eau lorsque vous le lavez! Cette précaution permet d'éviter tout risque de choc électrique!
- Ne touchez jamais la prise avec des mains mouillées! Ne le débranchez jamais en tirant le câble, mais plutôt en tenant la prise.
- Il est recommandé de nettoyer régulièrement le bout de la fiche à l'aide d'un chiffon sec.
- Évitez de brancher le Congélateur / réfrigérateur lorsque la prise de courant électrique a lâché.
- Ne connectez jamais votre Congélateur / réfrigérateur à des systèmes d'économies d'énergie. Ces systèmes sont nocifs pour l'appareil.
- Débranchez l'appareil lors des activités d'installation, d'entretien, de nettoyage et de réparation.
- Confiez toujours les activités d'installation et de réparation au **Prestataire de Services Agréé**. Le fabricant ne sera pas tenu responsable des dommages survenus suite à des activités effectuées par des personnes non-autorisées.
- Ne mangez pas de cônes de crème glacée ou des glaçons immédiatement après les avoir sortis du compartiment de congélation. Cela pourrait provoquer des engelures dans votre bouche!
- Ne touchez pas des aliments congelés avec vos mains! Ils peuvent coller à vos mains!
- Ne posez pas de boissons en bouteilles ou en cannettes dans le congélateur. Elles risquent d'exploser!
- N'utilisez jamais de vapeur ni de matériel de nettoyage à vapeur pour nettoyer ou décongeler le Congélateur / réfrigérateur. La vapeur entraînera un court-circuit ou un choc électrique étant donné qu'elle entrera en contact avec les parties électriques du Congélateur / réfrigérateur!
- N'utilisez pas d'outils mécaniques ou des méthodes autres que celles qui sont recommandées par le fabricant, pour accélérer le processus de décongélation.
- N'utilisez jamais les pièces de votre Congélateur / réfrigérateur telles que la porte et le tiroir, comme un support ou une marche. Une telle utilisation du produit peut l'emmener à balancer ou ses parties à s'endommager.



Instructions importantes en matière de sécurité et d'environnement


- N'endommagez pas le circuit de refroidissement où circule le liquide réfrigérant avec des outils de forage ou coupants. Le liquide réfrigérant qui pourrait s'échapper si les canalisations de gaz de l'évaporateur, les rallonges de tuyau ou les revêtements de surface étaient percés, peut irriter la peau et provoquer des blessures aux yeux.
- Ne couvrez ou n'obstruez pas les orifices de ventilation du Congélateur / réfrigérateur.
- Placez les boissons alcoolisées verticalement, dans des récipients convenablement fermés.
- N'utilisez pas de pulvérisateur à gaz près de l'appareil car cela pourrait causer un incendie ou une explosion!
- Les articles inflammables ou les produits contenant des gaz inflammables (par ex. : aérosols) ainsi que les matériaux explosifs ne doivent jamais être conservés dans l'appareil.
- Ne posez pas de récipients remplis d'eau au dessus de l'appareil. L'eau qui se déverse sur un composant électrique peut entraîner des chocs électriques ou un risque d'incendie.
- Ne conservez pas les produits (vaccins, médicaments sensibles à la chaleur, matériaux scientifiques, etc.) qui nécessitent un contrôle de température précis, dans le Congélateur / réfrigérateur.
- Si l'appareil doit rester non utilisé pendant une longue période, débranchez-le et débarrassez-le des aliments.
- Si le Congélateur / réfrigérateur est éclairé par une lumière bleue, évitez de regarder cette lumière bleue à travers des appareils optiques.
- L'exposition du produit à la pluie, la neige, au soleil ou au vent présente des risques concernant la sécurité électrique.
- Dans les produits équipés d'un contrôle mécanique (thermostat), patientez 5 minutes au minimum avant de rebrancher l'appareil après l'avoir débranché.
- Ne surchargez pas l'appareil. Si vous le faites, il peut tomber lorsque vous ouvrez sa porte et occasionner une blessure ou un dommage. Des problèmes similaires peuvent survenir si vous posez des objets sur l'appareil.
- Si la porte du Congélateur / réfrigérateur est équipée d'une poignée, ne tenez pas cette poignée lorsque vous déplacez l'appareil. Dans le cas contraire cette poignée peut se desserrer.
- Faites attention à ce que votre main ou toute autre partie de votre corps ne se retrouve pas coincée par les parties amovibles de l'appareil.

1.1.2 Avertissement HCA

Si le système de refroidissement de votre appareil contient R600a :

Ce gaz est inflammable. Par conséquent, veuillez prendre garde à ne pas endommager le système de refroidissement et les tuyauteries lors de son utilisation ou de son transport. En cas de dommages, éloignez votre produit de toute source potentielle de flammes susceptible de provoquer l'incendie de l'appareil. De même, placez le produit dans une pièce aérée.

Ne tenez pas compte de cet avertissement si le système de refroidissement de votre appareil contient R134a.

	Si l'appareil est plutôt équipé d'un système de refroidissement contenant du gaz R134a, ignorez cet avertissement.
	Vous pouvez savoir quel type de gaz été utilisé lors la fabrication de votre appareil en consultant la plaque signalétique qui se trouve dans la partie intérieure gauche de l'appareil.
	AVERTISSEMENT : Ne jamais jeter le produit au feu.

1.1.3 Pour les appareils dotés d'un distributeur d'eau

- La pression de l'eau d'alimentation doit être d'au moins 1 bar et au maximum 8 bar.
- Utilisez uniquement de l'eau potable.

1.2 Utilisation prévue

- Cet appareil est destiné à un usage ménager. Il n'est pas indiqué pour une utilisation à des fins commerciales et ne doit pas être utilisé à des fins autres que celles prévues.
- Il ne doit être utilisé que pour conserver des aliments.
- Le fabricant décline toute responsabilité pour les dégâts causés par une utilisation ou un transport incorrect de l'appareil.
- Votre appareil a une durée de vie de 10 ans. Pendant cette période, les pièces de rechange d'origine seront disponibles afin que l'appareil fonctionne comme il se doit.

1.3 Sécurité des enfants

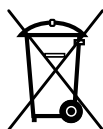
- Les matériaux d'emballage sont dangereux pour les enfants. Conservez ces matériaux d'emballage en lieu sûr, hors de portée des enfants.
- Les produits électriques sont dangereux pour les enfants. Eloignez les enfants de l'appareil lorsqu'il est allumé.
- Si la porte de l'appareil est équipée d'un verrou, gardez les clés de ce verrou hors de portée des enfants.



DANGER : Risque d'enfermement pour les enfants. Avant de jeter votre ancien réfrigérateur ou congélateur :

- Retirez les portes.
- Laissez les étagères en place de manière à ce que les enfants ne puissent pas pénétrer facilement à l'intérieur.

1.4 Conformité avec la directive DEEE et mise au rebut des déchets :



Ce produit est conforme à la directive DEEE (2012/19/UE) de l'Union européenne. Ce produit porte un symbole de classification pour la mise au rebut des équipements électriques et électroniques (DEEE). Le présent produit a été fabriqué avec des pièces et du matériel de qualité

supérieure susceptibles d'être réutilisés et adaptés au recyclage. Par conséquent, nous vous conseillons de ne pas le mettre au rebut avec les ordures ménagères et d'autres déchets à la fin de sa durée de vie. Au contraire, rendez-vous dans un point de collecte pour le recyclage de tout matériel électrique et électronique. Veuillez vous rapprocher des autorités de votre localité pour plus d'informations concernant le point de collecte le plus proche.

1.5 Conformité avec la directive LdSD :

L'appareil que vous avez acheté est conforme à la directive LdSD (2011/65/UE) de l'Union européenne. Il ne comporte pas les matériels dangereux et interdits mentionnés dans la directive.

1.6 Informations relatives à l'emballage

- Les matériaux d'emballage de cet appareil sont fabriqués à partir de matériaux recyclables, conformément à nos Réglementations Nationales en Environnement. Ne mélangez pas les matériaux d'emballage avec les déchets domestiques ou d'autres déchets. Amenez-les aux points de collecte des matériaux d'emballage, désignés par les autorités locales.



DANGER : Risque d'incendie ou d'explosion. Réfrigérant inflammable utilisé. N'utilisez pas d'objets mécaniques pour dégivrer le réfrigérateur. Ne percez pas les tuyaux du réfrigérant»



DANGER : Risque d'incendie ou d'explosion. Réfrigérant inflammable utilisé. Ne doit être réparé que par le personnel de service qualifié. Pas de perforation Tuyau du réfrigérant».



ATTENTION : Risque d'incendie ou d'explosion. Réfrigérant inflammable utilisé. Reportez-vous au manuel de réparation / guide de l'utilisateur avant toute tentative de dépannage de cet appareil. Toutes les précautions de sécurité doivent être respectées.

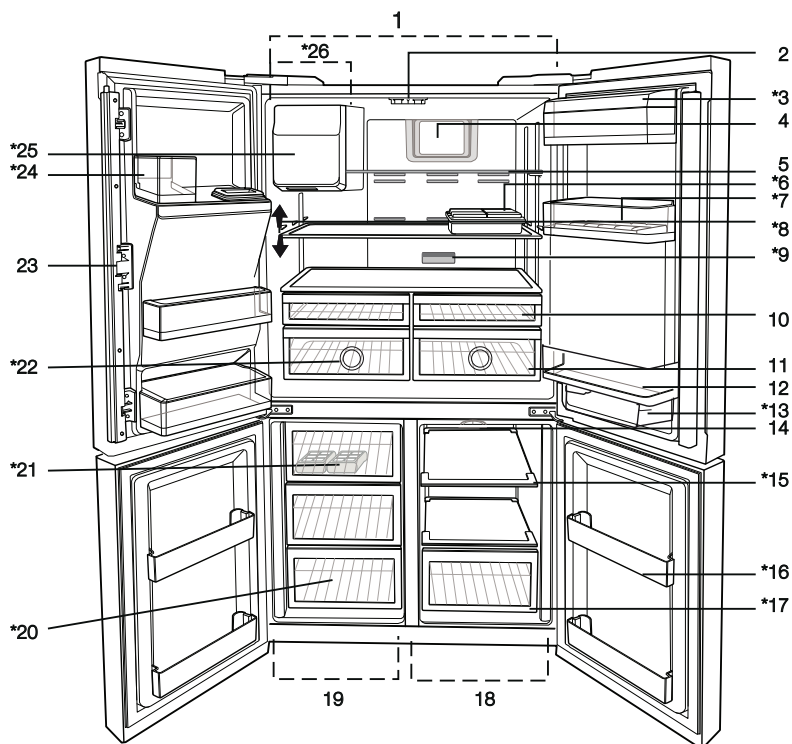


ATTENTION : Risque d'incendie ou d'explosion. La mise au rebut doit se faire conformément aux réglementations fédérales ou locales. Réfrigérant inflammable utilisé.



ATTENTION : Risque d'incendie ou d'explosion causée par la perforation du tuyau du réfrigérant ; respectez attentivement les consignes de manutention. Réfrigérant inflammable utilisé».

2 Votre Congélateur / réfrigérateur



- 1- Compartiment Congélateur / réfrigérateur
 - 2- Routeur de la section centrale modulable
 - 3- Sections pour Beurre et Fromages
 - 4- Turbine de ventilation
 - 5- Étagères en verre
 - 6- Bac à amuse-gueule
 - 7- Support à œufs
 - 8- Étagère amovible
 - 9- Filtre à odeurs
 - 10- Compartiments Zone fraîche
 - 11- Bac à légumes
 - 12- Balconnets de la porte du compartiment de réfrigération
 - 13- Récipient de conservation située sous l'étagère de la porte
 - 14- Turbine de ventilation
 - 15- Étagères en verre du compartiment Multi Zone
 - 16- Étagères de la porte du compartiment réfrigérant
 - 17- Sections relatives au stockage des aliments dans le compartiment Multi-Zone / Flexi Zone
 - 18- Compartiment Multi Zone
 - 19- Compartiment congélateur
 - 20- Sections relatives au stockage des aliments congelés
 - 21- Appareil à glaçons
 - 22- Éclairage bleu
 - 23- Section centrale modulable
 - 24- Petite étagère de la porte située au-dessus du tiroir à eau et à glaçons
 - 25- Récipient de conservation de glaçons
 - 26- Compartiment à glaçons
- * EN OPTION



Les chiffres figurant dans ce manuel ne sont donnés qu'à titre indicatif et peuvent ne pas correspondre exactement au produit. Si des pièces présentées ne sont pas incluses dans le produit que vous avez acheté, elles sont valables pour d'autres modèles.

3 Installation

Référez-vous au Prestataire de Services Agréé pour l'installation de cet appareil. Pour qu'il soit prêt à l'emploi, rassurez-vous que l'installation électrique soit correcte avant d'appeler le Prestataire de Services Agréé. Si tel n'est pas le cas, appelez un électricien qualifié afin qu'il effectue les arrangements nécessaires.



La préparation du site et de l'installation électrique sur le lieu de l'installation relèvent de la responsabilité du client.



Ne branchez pas l'appareil pendant son installation. Sinon, cela pourrait entraîner la mort ou une blessure sévère!



AVERTISSEMENT : L'installation et les connexions électriques de l'appareil doivent être effectuées par le Prestataire de Services Agréé. Le fabricant ne sera pas tenu responsable des dommages survenus suite à des activités effectuées par des personnes non-autorisées.



AVERTISSEMENT : Avant que le technicien ne procède à l'installation, vérifiez si l'appareil ne comporte pas de défaut. Si tel est le cas, ne le faites pas installer. Les produits endommagés représentent un risque pour votre sécurité.



Rassurez-vous que le câble d'alimentation n'est pas pincé ni écrasé lorsque vous remettez l'appareil en place après l'installation ou le nettoyage.

3.1 Lieu d'installation approprié



AVERTISSEMENT : Si la porte de la pièce dans laquelle l'appareil sera posé est trop petite pour qu'il puisse entrer, alors enlevez les portes de l'appareil et faites-le passer par le côté.

- Choisissez un emplacement à partir duquel vous utiliserez l'appareil confortablement.
- Installez l'appareil au moins à 30 cm des sources de chaleur telles que les plaques de cuisson, les fours, les faisceaux de chauffefer et les réchauds, et au moins à 5 cm des fours électriques. L'appareil ne doit pas être exposé à la lumière directe du soleil ou placé dans un endroit humide après l'installation.

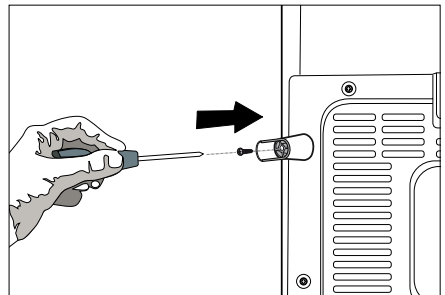
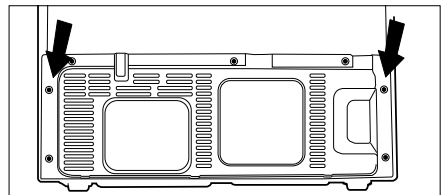
- Une ventilation d'air doit être aménagée autour du Congélateur / réfrigérateur pour obtenir un fonctionnement efficace. Si vous avez l'intention de poser l'appareil dans un renfoncement, faites attention à laisser au moins 5 cm de distance entre le plafond et les parois latérales.
- Ne posez pas l'appareil sur des revêtements tels qu'un tapis ou de la moquette.
- Posez le Congélateur / réfrigérateur sur un sol de surface plane afin d'éviter les à-coups.
- N'installez pas l'appareil dans des endroits où la température est en-deçà de 10°C / 50°F.



Si deux Congélateur / réfrigérateurs sont installés côte à côte, ils doivent être séparés d'au moins 4 cm.

3.2 Installation des cales en plastique

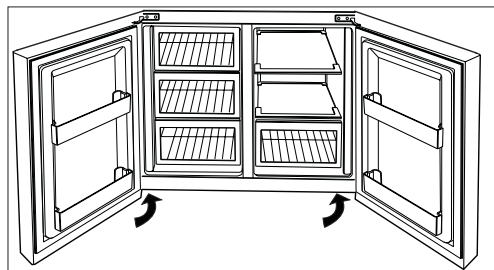
Les cales en plastique permettent de créer une distance afin que l'air circule entre l'appareil et le mur arrière. Insérez les 2 cales en plastique sur le couvercle de la ventilation arrière, tel qu'illustré dans la figure suivante. Pour ce faire, retirez les vis qui se trouvent sur le produit et utilisez celles qui ont été fournies dans la même pochette.



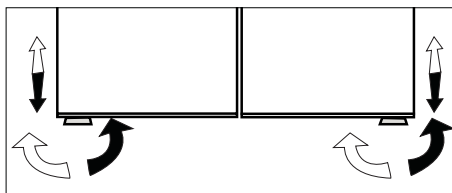
3.3 Branchement électrique

Connectez cet appareil à une prise avec mise à la terre, protégée par un fusible conforme aux valeurs figurant sur la plaque signalétique. Notre entreprise ne sera pas tenue responsable de tout dommage survenu si vous utilisez cet appareil sans le raccorder à une mise à la terre, conformément aux réglementations locales.

- Les branchements électriques doivent être conformes aux réglementations nationales.
- La prise du câble d'alimentation doit être facilement accessible après l'installation.
- Les informations relatives à la tension et au fusible ou au disjoncteur de protection autorisé figurent sur la plaque de signalisation fixée à l'intérieur du produit. Si la valeur actuelle du fusible ou du disjoncteur de protection disponible à la maison n'est pas conforme à celle indiquée sur la plaque de signalisation, faites installer un fusible approprié par un électricien qualifié.
- La tension spécifiée doit être égale à votre tension de secteur.
- N'effectuez pas de connexion via les câbles d'extension ou les multiprises.

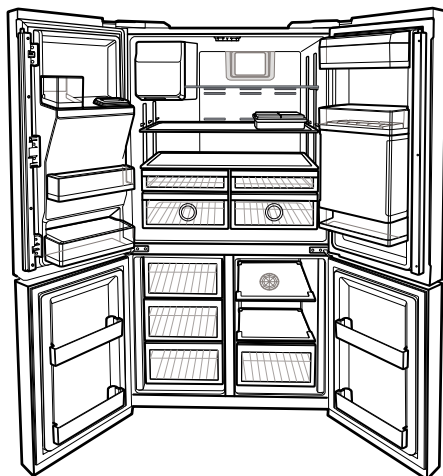



Tournez le pied avant afin d'équilibrer l'appareil. Le côté où se trouve le pied s'abaisse lorsque vous tournez dans le sens de la flèche noire, et s'élève lorsque vous tournez dans le sens opposé.



3.5 Ampoule

N'essayez pas de la réparer vous-même, appelez plutôt un Prestataire de Services Agréé si les ampoules ne fonctionnent pas ou sont mal positionnées.



 **AVERTISSEMENT** : Les câbles d'alimentation endommagés doivent être remplacés par des Prestataires de Services Agréés.

 **AVERTISSEMENT** : N'utilisez pas cet appareil lorsqu'il est en panne, à moins qu'il ne soit réparé par le Prestataire de Services Agréé! Cette précaution permet d'éviter tout risque de choc électrique!

3.4 Réglage des pieds

Si après l'installation l'appareil est en déséquilibre, ajustez le pied. Si vous vous faites aider par quelqu'un pour légèrement soulever le Congélateur / réfrigérateur, l'opération s'en trouvera simplifiée.

 **AVERTISSEMENT** : Débranchez-le d'abord. Vous ne devez pas brancher l'appareil pendant que vous ajustez le pied. Cette précaution permet d'éviter tout risque de choc électrique!

3.6 Avertissement - Porte ouverte (Cette fonction peut varier suivant le type de porte installé sur le produit et peut ne pas exister sur certains modèles.)

Un signal d'avertissement sonore retentit lorsque la porte du Congélateur / réfrigérateur reste ouverte pendant 1 minute. Cet avertissement s'arrête en refermant la porte est fermée ou en appuyant sur n'importe quel bouton de l'affichage.

3.7 Raccordement du système d'alimentation en eau

Selon le modèle du Congélateur / réfrigérateur, vous pouvez le raccorder à une dame-jeanne ou à une conduite d'eau. Vous devez d'abord connecter le tuyau d'eau au Congélateur / réfrigérateur.



Si vous utilisez une dame-jeanne, vous devez également utiliser une pompe distincte.



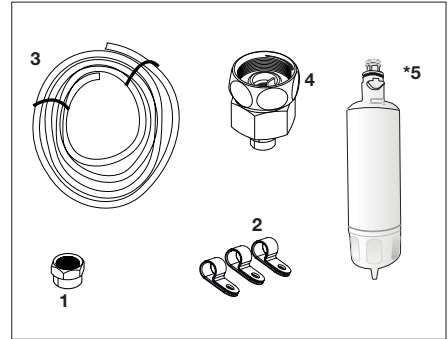
AVERTISSEMENT: Le Congélateur / réfrigérateur et la pompe, le cas échéant, doivent être débranchés pendant la connexion.



Il est possible que les parties suivantes ne soient pas fournies avec votre appareil puisqu'elles ne sont pas nécessaires lorsque vous utilisez une dame-jeanne.

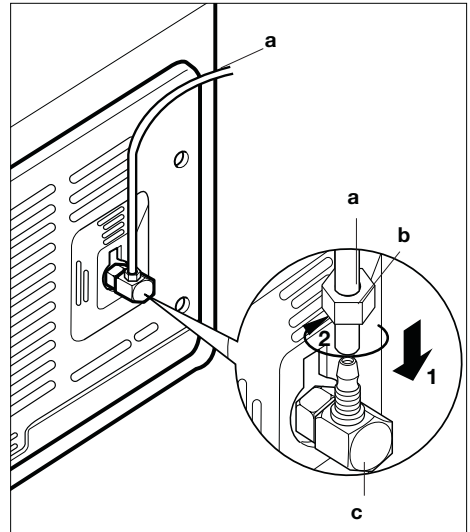
Vérifiez que les parties suivantes ont été livrées en même temps que l'appareil:

1. Le câble permettant de raccorder le tuyau d'eau à l'arrière du Congélateur / réfrigérateur
2. 3 colliers d'attache (Utilisé pour sécuriser le tuyau d'eau)
3. 5-Tuyau d'alimentation en eau de 5 mètres (1/4 pouce de diamètre)
4. Robinet d'adduction d'eau froide (Adaptateur de robinet)
5. Filtre d'eau externe. (Si vous avez une dame-jeanne, il est inutile d'utiliser un filtre.)



3.8 Connexion du tuyau d'eau au Congélateur / réfrigérateur

1. Faites glisser le raccord (b) sur le tuyau d'eau (a).
2. Poussez fermement le tuyau d'eau vers le bas afin de le glisser sur le robinet d'arrivée d'eau (c).
3. Serrez manuellement le raccord (c) afin de le sécuriser sur le robinet d'arrivée d'eau.



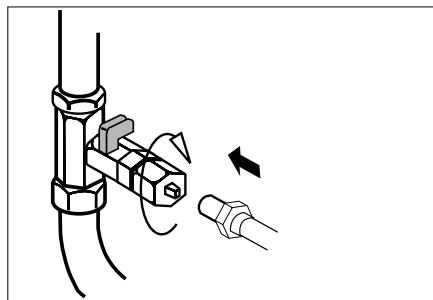
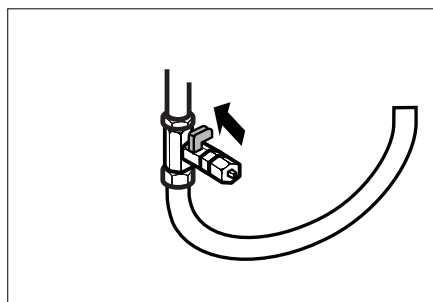
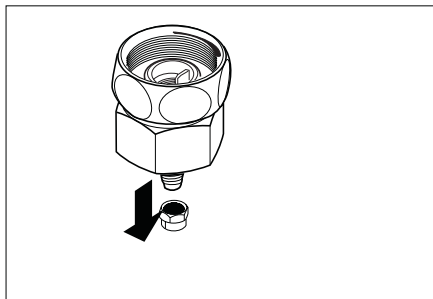
En principe, vous ne devez pas serrer le raccord avec un outil. Cependant, vous pouvez utiliser une clé ou des pinces pour le serrer en cas de fuite.

3.9 Connexion du tuyau d'eau au tuyau d'alimentation en eau principal

(sur certains modèles)

Si vous avez l'intention d'utiliser le Congélateur / réfrigérateur en le raccordant au tuyau d'alimentation en eau principal, vous devez installer un connecteur à valve standard dans l'installation d'eau froide de votre maison. Si cette valve est absente de votre appareil ou si vous n'en êtes pas sûr, consultez un plombier qualifié.

1. Séparez le raccord de l'adaptateur du robinet.
2. Installez l'adaptateur du robinet sur un connecteur à valve standard de 1/2 pouce.
3. Après avoir inséré le tuyau d'alimentation au raccord, installez-le sur l'adaptateur du robinet et insérez-le sur cet adaptateur tel qu'indiqué dans le schéma.
4. Serrez le raccord manuellement.



AVERTISSEMENT: Sécurisez le tuyau d'alimentation en eau à des points appropriés, au moyen de colliers de fixation fournis pour éviter tout dommage, déplacement ou coupure accidentelle.



AVERTISSEMENT: Après avoir tourné le robinet de prise d'eau, veillez à ce qu'il n'y ait pas de fuite aux deux points de raccordement du tuyau d'alimentation en eau. En cas de fuite, arrêtez la valve immédiatement et serrez tous les joints à nouveau à l'aide d'une clé à molette ou d'une pince.



AVERTISSEMENT : Vérifiez qu'un connecteur à valve standard de 1/2 pouce est disponible et complètement désactivé sur votre tuyau d'alimentation en eau principal.

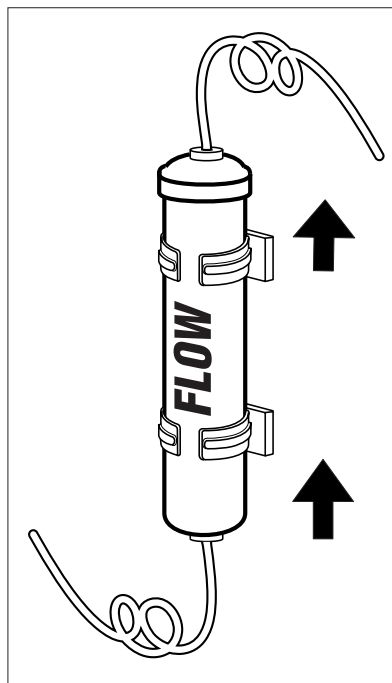
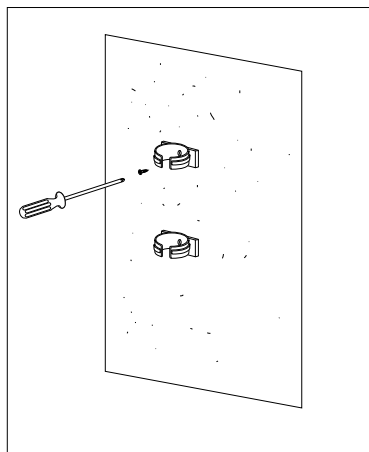
3.10 Filtre à eau

(sur certains modèles)

Votre Congélateur / réfrigérateur peut être équipé d'un filtre externe ou interne, selon le modèle. Pour installer le filtre à eau, suivez les instructions ci-dessous, renvoyant aux schémas fournis :

3.10.1 Montage mural du filtre externe

1. Premièrement, choisissez le lieu où vous souhaitez monter le filtre externe.
2. Déterminez ensuite la distance entre le filtre et le robinet, et celle entre le filtre et l'entrée d'eau respectivement. Préparez les tuyaux suivant la longueur requise.
3. Montez le kit de connexion du filtre au mur en utilisant un tournevis et fixez le filtre.



Après avoir installé le filtre, évitez d'en boire les 10 premiers verres d'eau.

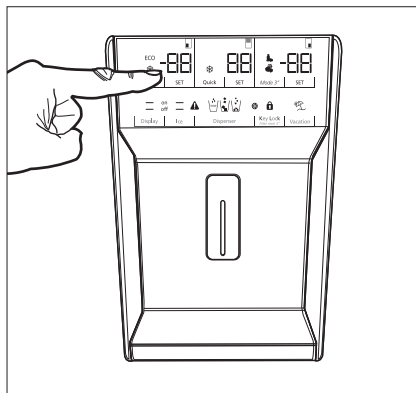


AVERTISSEMENT: Ne montez jamais le filtre sur le Congélateur / réfrigérateur. Les tuyaux de refroidissement pourraient se perforer!

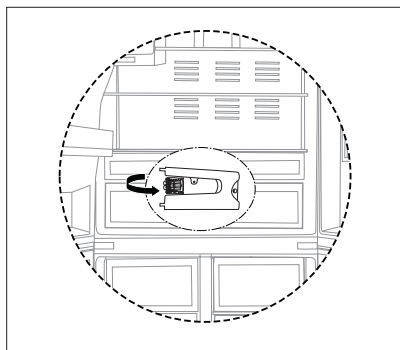
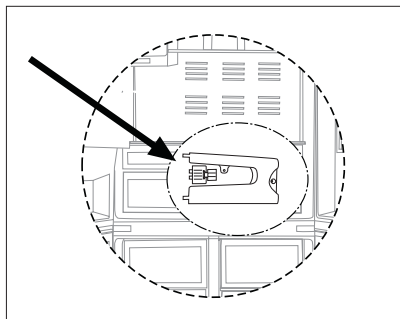


AVERTISSEMENT: Le filtre à eau doit rester debout comme indiqué dans l'image. Il est primordial de connecter correctement les tuyaux d'entrée et de sortie d'eau au filtre.

3.10.2 Fixation du filtre interne dans le Congélateur / réfrigérateur



1. Appuyez sur le bouton d'"**annulation**" de glace situé sur le panneau d'affichage.
2. Enlevez le bac à légumes ou les compartiments zone fraîche afin d'accéder au filtre à eau.
3. Enlevez le couvercle de dérivation du filtre à eau en le tournant vers le bas.



AVERTISSEMENT: Veillez à ce que le mode Ice Off soit activé avant de retirer le couvercle de dérivation.



Il est tout à fait normal que quelques gouttes d'eau tombent après le retrait du couvercle.

4. Disposez le couvercle du filtre à eau dans le mécanisme et poussez-le vers l'avant afin de le fixer.
5. Appuyez sur le bouton "**Ice Off**" situé sur le panneau d'affichage pour quitter ce mode.



Le filtre à eau doit être remplacé tous les 6 mois. Lors du remplacement du filtre à eau, ou si vous ne comptez plus utiliser le filtre, enlevez-le tel qu'illustré sur le schéma et installez le couvercle de dérivation. Assurez-vous que le mode "Ice Off" est activé avant de retirer le filtre à eau.



AVERTISSEMENT: Le filtre à eau sert à nettoyer les corps étrangers dans l'eau. En conséquence, il ne débarrasse pas celle-ci des micro-organismes.



AVERTISSEMENT: Appuyez toujours sur le bouton **Ice Off** avant le remplacement du filtre à eau ou l'installation du couvercle de dérivation.



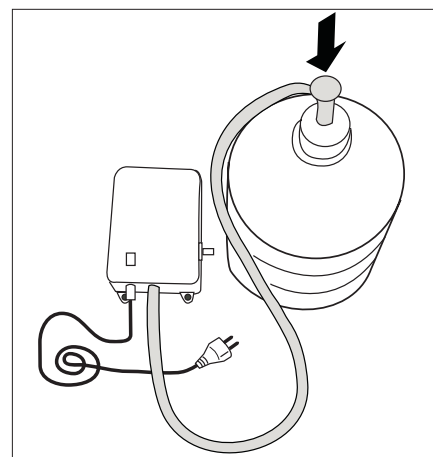
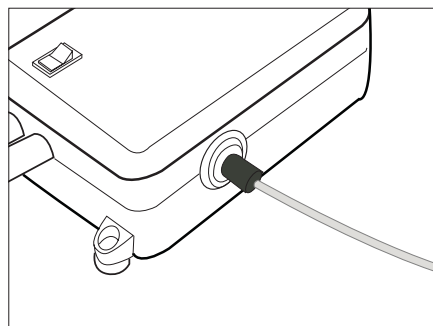
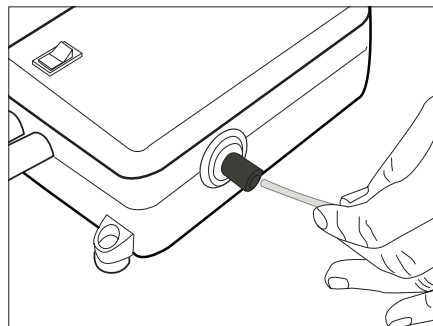
AVERTISSEMENT: Débranchez l'appareil lors du remplacement du filtre.

3.11 Connexion du tuyau d'eau à la dame-jeanne

(sur certains modèles)

Pour effectuer le raccordement d'alimentation en eau entre le Congélateur / réfrigérateur et la dame-jeanne, vous devez utiliser une pompe à eau. Suivez les instructions ci-dessous après avoir raccordé une extrémité du tuyau d'alimentation en eau allant de la pompe vers le Congélateur / réfrigérateur.

1. Terminez le raccordement en poussant l'autre extrémité du tuyau d'alimentation en eau dans l'entrée du tuyau d'alimentation en eau de la pompe.
2. Placez et fixez la pompe dans la dame-jeanne.
3. À la fin du raccordement, branchez et utilisez la pompe.



Après avoir mis la pompe en marche, attendez 2 à 3 minutes afin qu'elle atteigne le niveau d'efficacité requis.



vous pouvez consulter le manuel d'utilisation de la pompe pendant le raccordement du tuyau d'alimentation en eau.

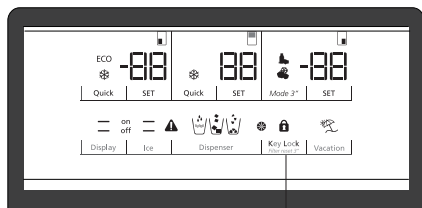


Il n'est pas nécessaire d'utiliser un filtre à eau si vous comptez utiliser une dame-jeanne.

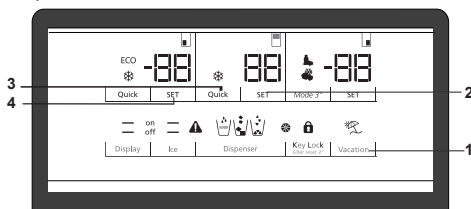
3.12 Pour que le calcul de la durée d'utilisation du filtre se fasse automatiquement

(Pour les appareils connectés au tuyau d'alimentation en eau principal et dotés d'un filtre)

- 1- Branchez le Congélateur / réfrigérateur. Appuyez sur le (bouton de verrouillage) **A** de façon simultanée pour activer le verrouillage.



- 2- Puis appuyez sur les boutons suivants, l'un après l'autre.



1. Bouton Vacances
2. Bouton de réglage de la température du Congélateur / réfrigérateur
3. Bouton réglage de refroidissement rapide
4. Bouton de réglage de la température de congélation

Lorsque vous appuyez sur les boutons dans l'ordre exact, le symbole du verrouillage disparaîtra, le bip retentira pendant un court moment et l'indicateur d'avertissement de changement de filtre s'allumera. Lorsque vous appuyez sur le bouton **Avertissement de changement du filtre**, le calcul automatique du temps d'utilisation s'active.



Si le calcul du temps d'utilisation du filtre est effectué automatiquement, l'indicateur d'avertissement de changement de filtre s'allumera en quelques secondes après le branchement de l'appareil.



La fonction de calcul automatique du temps d'utilisation du filtre n'est pas activée en usine. Elle doit être activée sur des appareils dotés d'un filtre.



Si la même procédure se répète lorsque la fonction de calcul automatique du temps d'utilisation du filtre est activée, alors cette fonction sera annulée.

3.13 Avant de commencer à utiliser le distributeur d'eau/de glace

- Si la pression de l'eau est inférieure à 1 barre ou si vous comptez utiliser une dame-jeanne, alors vous devez également utiliser une autre.
- Le réseau d'alimentation en eau du Congélateur / réfrigérateur doit être raccordé au tuyau d'alimentation. **Il ne doit pas être raccordé à un tuyau d'alimentation en eau chaude.**
- Vous ne pouvez pas obtenir d'eau lors du démarrage initial du Congélateur / réfrigérateur. Car le système comporte de l'air. Pour vider l'air du système, appuyez sur la broche pendant une à deux minutes jusqu'à ce que l'eau sorte du distributeur. Le débit d'eau peut être irrégulier au départ. Après que l'air ait été libéré du système, le flux de l'eau redeviendra normal.
- Lors de la première utilisation, vous devrez attendre pendant environ 12 heures afin que l'eau se refroidisse.
- Cela prendra environ 1 à 2 jours pour que le système produise la quantité de glace requise.
- La pression de l'eau doit être comprise entre 1 et 8 barres pour un bon fonctionnement du distributeur de glace/d'eau. Pour cela, vérifiez qu'un verre d'eau (100 cc) peut se remplir en 10 secondes.

Installation

- Les 10 premiers verres d'eau ne doivent pas être consommés.
- Vous devez attendre environ 12 heures avant d'obtenir de la glace du distributeur de glace pour la première fois. Au cas où il n'y a pas suffisamment de glace dans le tiroir à glaçons, celle-ci ne pourra probablement pas être obtenue du distributeur de glace.
- Ne consommez pas les 30 premiers morceaux (3-4 Litres) de glaçons.
- Lorsque vous utilisez le filtre pour la première fois, les premiers verres d'eau peuvent être turbides. Ne consommez donc pas ces premiers verres d'eau.
- Si le distributeur d'eau reste non utilisé pendant une longue période, les 1-2 premiers verres d'eau peuvent être chauds.
- En cas de panne d'électricité ou de défaillance temporaire pendant le fonctionnement du Congélateur / réfrigérateur, la glace peut fondre légèrement et ensuite se congeler à nouveau. Dans ce cas les glaçons peuvent se coller l'un à l'autre. Si cette panne ou défaillance est prolongée, la glace peut fondre, entraînant une fuite d'eau. Si vous rencontrez un tel problème, videz et nettoyez le récipient à glaçons.
- Les glaçons peuvent coller l'un à l'autre si vous les laissez dans le récipient pendant longtemps.
- L'installation du système d'alimentation en eau du Congélateur / réfrigérateur doit être effectuée par un Prestataire de Services Agréé.
- Utilisez de l'eau potable lorsque vous souhaitez raccorder les tuyaux d'alimentation en eau à l'appareil.
- Le système d'alimentation en eau de cet appareil est conçu pour fonctionner avec de l'eau uniquement. N'utilisez pas de boissons telles que les boissons rafraîchissantes, dans le système d'alimentation en eau.
- Il est recommandé de déconnecter le raccordement d'eau si vous comptez passer une longue période sans utiliser le Congélateur / réfrigérateur, en raison de vacances ou pour des raisons similaires.
- N'essayez pas de démonter l'assemblage du récipient à glaçons.
- N'essayez pas non plus de nettoyer cet assemblage sans l'enlever du Congélateur / réfrigérateur.
- Lorsque vous retirez de l'eau du distributeur d'eau, enlevez le verre situé à l'entrée 1 seconde après avoir relâché la gâchette. Ainsi, l'eau contenue dans le système ne s'écoulera pas dans le plateau d'égouttage.

3.14 Transport de l'appareil

1. Débranchez l'appareil avant de le transporter.
2. Enlevez les raccordements d'eau.
3. Mettez les plateaux, les accessoires, le bac à légumes, etc. en sécurité dans le Congélateur / réfrigérateur, à l'aide d'un ruban adhésif, avant de le reconditionner.



L'emballage doit être fixé avec une bande adhésive forte ou des cordes solides, et les normes de transport indiquées sur l'emballage doivent être appliquées.



L'emballage et les matériaux de protection d'emballage doivent être conservés pour les éventuels transports.



AVERTISSEMENT: Les matériaux d'emballage sont dangereux pour les enfants. Conservez ces matériaux d'emballage en lieu sûr, hors de portée des enfants.

4 Préparation

4.1 Mesures d'économie d'énergie



Le branchement de l'appareil aux systèmes d'économie d'énergie électrique est risquant dans la mesure où il peut endommager le produit.

- Ne laissez pas les portes du Congélateur / réfrigérateur ouvertes pendant une durée prolongée.
- N'introduisez pas de denrées ou de boissons chaudes dans le Congélateur / réfrigérateur.
- Ne surchargez pas le Congélateur / réfrigérateur. La capacité de refroidissement diminuera lorsque la circulation de l'air à l'intérieur est entravée.
- Ne placez pas le Congélateur / réfrigérateur à des endroits exposés à la lumière directe du soleil. Installez l'appareil au moins à 30 cm des sources de chaleur telles que les plaques de cuisson, les fours, les faisceaux de chaufferette et les réchauds, et au moins à 5 cm des fours électriques.
- Veillez à conserver les aliments se trouvant dans le Congélateur / réfrigérateur dans des récipients fermés.
- Vous pouvez charger une quantité maximale d'aliments dans le compartiment Congélateur / réfrigérateur, en enlevant l'étagère ou le tiroir du compartiment congélateur. La valeur de consommation énergétique déclarée du Congélateur / réfrigérateur a été déterminée lorsque l'étagère ou le tiroir du compartiment congélateur a été enlevé et par la quantité maximale d'aliments chargés. Il n'y a aucun risque à utiliser une étagère ou un tiroir adapté aux formes et tailles des aliments à congeler.
- La décongélation des aliments dans le compartiment Congélateur / réfrigérateur permet de faire des économies d'énergie et de préserver la qualité des aliments.



La température ambiante de la pièce où vous installez le Congélateur / réfrigérateur doit être d'au moins 10°C / 50°F. Il n'est pas recommandé de faire fonctionner votre appareil sous des températures inférieures.



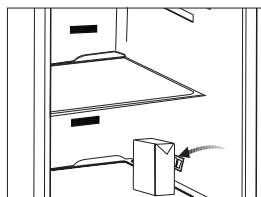
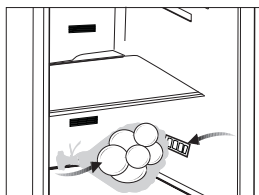
L'intérieur du Congélateur / réfrigérateur doit être soigneusement nettoyé.



Si deux Congélateur / réfrigérateurs sont installés côte à côte, ils doivent être séparés d'au moins 4 cm.

4.2 Recommandations relatives au compartiment des produits frais

- Faites attention à ce que les aliments ne touchent pas le capteur de température dans le compartiment des produits frais. Pour que le compartiment des produits frais conserve sa température idéale, le capteur ne doit pas être encombré par des aliments.
- Évitez d'introduire les aliments et les boissons chauds dans le Congélateur / réfrigérateur.



4.3 Première utilisation

Avant de commencer à utiliser cet appareil, rassurez-vous que toutes les préparations sont effectuées conformément aux instructions contenues dans les sections "Instructions importantes en matière de sécurité et d'environnement" et "Installation".

- Nettoyez l'intérieur du Congélateur / réfrigérateur tel qu'indiqué dans la section « Entretien et nettoyage ». Rassurez-vous que l'intérieur est sec avant de l'utiliser.
- Branchez le Congélateur / réfrigérateur dans la prise murale terre. Lorsque la porte est ouverte, l'éclairage intérieur s'allumera.
- Laissez le Congélateur / réfrigérateur en marche sans y mettre d'aliment, pendant 6 heures et n'ouvrez pas ses portes à moins que cela soit vraiment nécessaire.

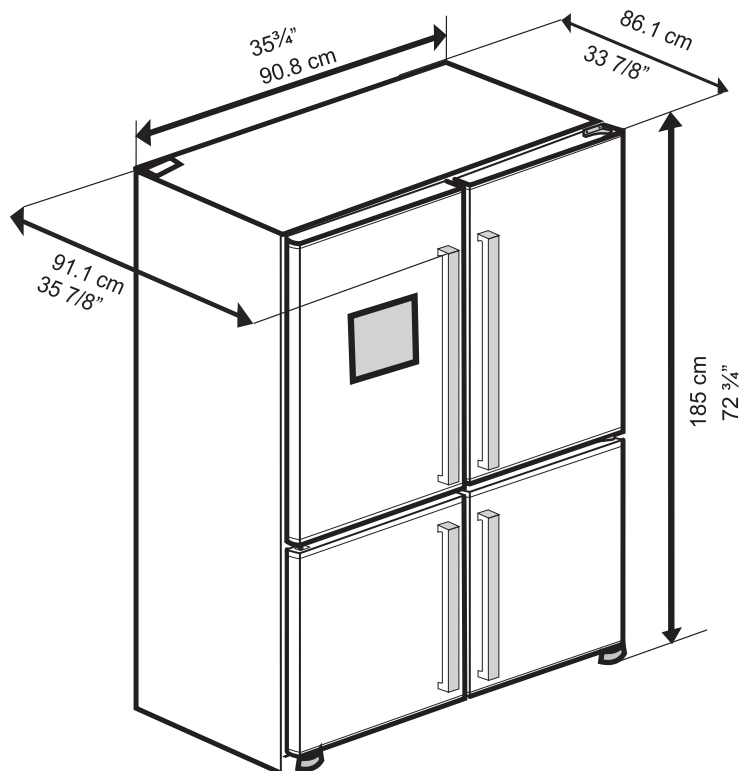


Vous remarquerez un bruit lorsque le compresseur se met en marche. Les liquides et les gaz intégrés au système du Congélateur / réfrigérateur peuvent également faire du bruit, que le compresseur soit en marche ou non. Ceci est tout à fait normal.



Les parties antérieures du Congélateur / réfrigérateur peuvent chauffer. Ce phénomène est normal. Ces zones doivent en principe être chaudes pour éviter tout risque de condensation.

Préparation



Hauteur (cm/inch)non arpenté	185-72 $\frac{3}{4}''$
largeur (cm/inch)non arpenté	90.8 -35 $\frac{3}{4}''$
profondeur (cm/inch)non arpenté	86.1- 33 $\frac{7}{8}''$

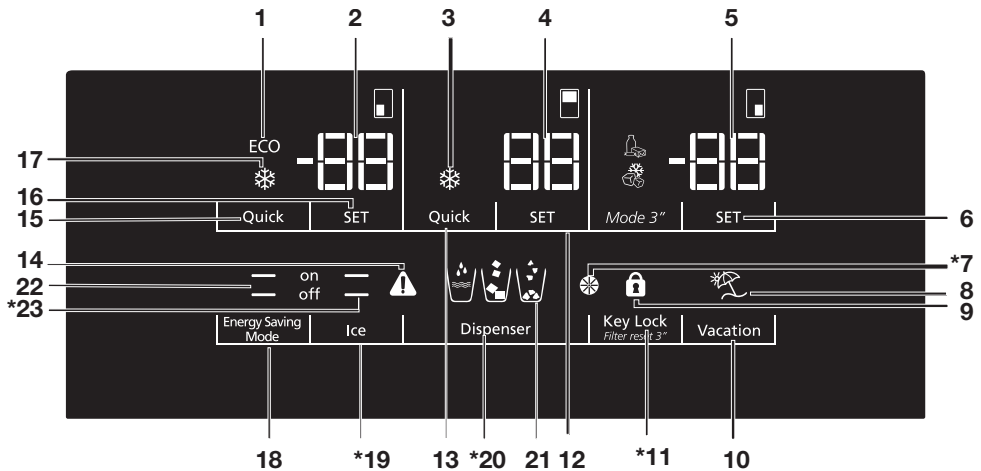
Hauteur (cm/inch)rythme	196.3-77 $\frac{1}{5}''$
largeur (cm/inch)rythme	104.9 -41 $\frac{1}{5}''$
profondeur (cm/inch)rythme	95.2-37.4"

Poids brut (Kg) / lbs	143.5 - 315.7
Poids mort (Kg) / lbs	130 - 286

5 Utilisation de l'appareil

5.1 Bandeau indicateur

Le bandeau indicateur tactile de commande vous permet de régler la température et de contrôler les autres fonctions liées au produit sans ouvrir la porte du réfrigérateur. Appuyez simplement sur le bouton approprié pour régler des fonctions.



- 1- Indicateur mode Economie
- 2- Indicateur de température du compartiment de congélation
- 3- Indicateur de la fonction de réfrigération rapide
- 4- Indicateur de la température du compartiment réfrigérateur
- 5- Indicateur de température du compartiment Multi Zone
- 6- Bouton de réglage de température du compartiment Multi Zone
- 7- Indicateur d'avertissement de changement de filtre
- 8- Indicateur de Fonction Vacances
- 9- Voyant verrouillage des commandes
- 10- Vacances / °C-°F Bouton de commutation
- 11- Bouton de verrouillage / Bouton d'avertissement d'annulation de changement de filtre
- 12- Bouton de réglage de température du compartiment de réfrigération
- 13- Bouton Réfrigération rapide
- 14- Indicateur d'état de dysfonctionnement
- 15- Bouton de ngélation rapide
- 16- Bouton de réglage de température deompartiment de congélation
- 17- Indicateur Fonction Congélation rapide
- 18- Mode économie d'énergie
- 19- Bouton marche/arrêt de la machine à glaçons
- 20- Bouton de sélection d'eau, glace pilée, cubes de glace
- 21- Indicateur d'eau, glace pilée, cubes de glace
- 22- Indicateur d'affichage marche / arrêt
- 23- Indicateur marche/arrêt de la machine à glaçons

* EN OPTION



Les chiffres figurant dans ce manuel ne sont donnés qu'à titre indicatif et peuvent ne pas correspondre exactement au produit. Si des pièces présentées ne sont pas incluses dans le produit que vous avez acheté, elles sont valables pour d'autres modèles.

1. Indicateur mode Economie

Il indique que le réfrigérateur fonctionne en mode d'économie d'énergie. Cet indicateur sera activé si la température du compartiment congélateur est réglée sur -18 ou si le refroidissement à économie d'énergie est réalisé suite à l'activation de la fonction **Eco-Extra**.

2. Indicateur de température du compartiment de congélation

Indique le réglage de température pour le compartiment réfrigérateur.

3. Indicateur de la fonction de réfrigération rapide

Il indique que la fonction Refroidissement rapide est activée. Utilisez cette fonction lorsque vous placez de la nourriture dans le compartiment réfrigérateur ou lorsque vous voulez refroidir rapidement vos denrées. Lorsque cette fonction est active, le réfrigérateur fonctionnera pendant 2 heures d'affilée. Pour annuler cette fonction, appuyez sur le bouton **Quick Cool**.

4. Indicateur de la température du compartiment réfrigérateur

Indique le réglage de température pour le compartiment réfrigérateur.

5. Indicateur de température du compartiment Multi Zone

Indique le réglage de température pour le compartiment de conservation Multizone.

6. Bouton de réglage de température du compartiment Multi Zone

Vous pouvez régler le compartiment Flexi Zone comme compartiment de congélateur ou de réfrigérateur.

Appuyez sur ce bouton pendant 3 secondes pour mettre le compartiment Multi-Zone en mode congélateur ou réfrigérateur. Hors usine, ce compartiment est en mode congélateur.

7. Indicateur d'avertissement de changement de filtre

Indique que le temps d'utilisation du filtre s'est écoulé.

8. Indicateur de Fonction Vacances

Il indique que la fonction vacances est en marche. Lorsque la fonction vacances est en marche, le signe "- -" apparaît sur l'indicateur de température du compartiment de congélation et l'on n'observe aucun refroidissement actif dans le compartiment de réfrigération. Dans cette fonction, il est inapproprié de conserver les aliments dans le compartiment de réfrigération. Les autres compartiments seront refroidis en fonction de la température définie pour leur fonctionnement. Pour annuler cette fonction, appuyez à nouveau sur le bouton **Vacances**.

9. Voyant verrouillage des commandes

Utilisez cette fonction si vous ne souhaitez pas que les paramètres de température du réfrigérateur soient modifiés. Pour activer cette fonction, appuyez sur le bouton **Verrouillage des commandes**.

10. Vacances /°C-°F Boutonde commutation

Appuyez brièvement sur ce bouton pour activer la fonction Vacances.

Appuyez sur ce bouton et maintenez-le enfoncé pendant 3 secondes pour activer la fonction de commutation °C-°F.

Appuyez de nouveau sur ce bouton pour désactiver la fonction sélectionnée.

11. Bouton de verrouillage / Bouton d'avertissement d'annulation de changement de filtre

Appuyez brièvement sur ce bouton pour activer la fonctionnalité de verrouillage. Appuyez et maintenez pendant 3 secondes pour éteindre le témoin d'avertissement du filtre.

Le filtre de votre réfrigérateur doit être remplacé tous les 6 mois. Si vous respectez les instructions qui se trouvent à la Section 3.12, votre réfrigérateur calcule ce temps de façon automatique et l'indicateur d'avertissement de changement de filtre s'allume lorsque la durée d'utilisation du filtre arrive à son terme.

12. Bouton de réglage de température du compartiment de réfrigération

Appuyez sur ce bouton pour régler la température du compartiment réfrigérateur à 8, 6, 4, 2, 8...respectivement. Appuyez sur ce bouton pour définir la température souhaitée pour le compartiment du réfrigérateur.

13. Bouton Réfrigération rapide

Appuyez sur ce bouton pour activer la fonction de refroidissement rapide. Appuyez sur les mêmes boutons pour désactiver cette fonction.

14. Indicateur d'état de dysfonctionnement

Si le réfrigérateur ne refroidit pas correctement ou s'il y a un dysfonctionnement dans un capteur, cet indicateur sera activé.

Lorsque cet indicateur est activé, l'indicateur de la température du compartiment de congélation affichera "E" et l'indicateur de température du compartiment du réfrigérateur affichera des chiffres, par ex.: "1,2,3...". Ces chiffres fournissent des informations concernant tout dysfonctionnement, au personnel de maintenance.

15. Bouton de congélation rapide

Appuyez sur ce bouton pour activer la fonction de congélation rapide. Appuyez sur le même bouton pour désactiver cette fonction.

16. Bouton de réglage de température du compartiment de congélation

Appuyez sur ce bouton pour régler la température du compartiment de congélation respectivement sur -18, -20, -22, -24, -18.... Appuyez sur ce bouton pour définir la température souhaitée pour le compartiment du congélateur.

17. Indicateur Fonction Congélation rapide

Il indique que la fonction Refroidissement rapide est activée.

18. Mode économie d'énergie

Cette fonction est activée automatiquement. Une fois que cette fonction est activée, les témoins LED s'éteignent et l'appareil fonctionne en mode économie d'énergie.

19. Bouton marche/arrêt de la machine à glaçons

Il permet d'interrompre ou de reprendre le processus de formation de la glace.

20. Bouton de sélection d'eau, glace pilée, cubes de glace

Appuyez sur ce bouton lorsque vous voulez de l'eau, de la glace pilée ou des cubes de glace. Puis appuyez sur la gâchette pour obtenir de la glace ou de l'eau à volonté.

21. Indicateur d'eau, glace pilée, cubes de glace

Selon votre choix, les options Eau, Glace pilée ou Cube de glace s'allument à l'écran.

22. Indicateur d'affichage marche / arrêt

L'écran s'allume pour indiquer qu'il est en marche ou en arrêt.

23. Indicateur marche/arrêt de la machine à glaçons

L'écran s'allume pour signaler la formation ou non de la glace.

5.2 Double système de refroidissement

Votre réfrigérateur est équipé de trois systèmes de refroidissement séparés, destinés à refroidir le compartiment des aliments frais et le compartiment des aliments congelés et le compartiment multi zone. Ainsi, l'air et l'odeur du compartiment des produits frais et du compartiment des produits congelés ne sont pas mélangés. Grâce à ce système de réfrigération séparée, les vitesses de réfrigération sont beaucoup plus élevées que pour des réfrigérateurs normaux. Par ailleurs, une économie d'énergie supplémentaire est fournie car la décongélation se fait individuellement.

5.3 Congélation des produits frais

- Enveloppez la nourriture ou la mettre dans un récipient alimentaire couvert avant de la placer dans le réfrigérateur.
- Laissez refroidir les aliments et les boissons à la température ambiante avant de les placer au réfrigérateur.

- Les denrées que vous souhaitez surgeler doivent être fraîches et en bon état.
- Il est conseillé de séparer les denrées en portions en fonction des besoins quotidiens de votre famille ou par repas.
- Les denrées doivent être emballées hermétiquement afin d'éviter qu'elles ne s'assèchent, même si elles ne doivent être conservées que pendant une courte période.
- Les matériaux utilisés pour l'emballage doivent résister aux déchirures, au froid, à l'humidité, et doivent être imperméables aux odeurs, aux graisses et aux acides et être hermétiques. Par ailleurs, ils doivent être fermés correctement et être composés de matériaux simples d'utilisation et adaptés à un usage dans un congélateur.
- Les denrées congelées doivent être consommées immédiatement après leur décongélation et elles ne doivent jamais être recongelées.
- Ne congelez pas une quantité trop importante à la fois. La qualité des aliments est préservée de façon optimale lorsqu'ils sont entièrement congelés aussi rapidement que possible.


Utilisation recommandée température: FF: 4°C /40 °F Frz : -15°C/5 °F

Utilisation de l'appareil

Réglage du compartiment congélateur	Réglage du compartiment réfrigérateur	Explications
-15°C /5°F	4°C/40°F	Voici le réglage normal recommandé.
-18°C/ 0°F ou -21°C/- 5°F	4°C/40°F	Ces réglages sont recommandés lorsque la température ambiante dépasse 30 °C/86°F.
Congélation rapide	4°C/40°F	Cet indicateur est utilisé lorsque vous voulez congeler vos denrées pendant une courte période. Le réfrigérateur retournera à son mode de fonctionnement précédent lorsque le processus sera terminé.
-15°C /5°F ou plus froid	2°C/37°F	Utilisez ces paramètres si vous estimez que le compartiment de réfrigération n'est pas assez froid à cause de la chaleur ou des ouvertures / fermetures fréquentes de la porte.
-15°C /5°F ou plus froid	Réfrigération rapide	Utilisez cette fonction lorsque vous mettez de la nourriture dans le compartiment réfrigérateur ou lorsque vous voulez refroidir rapidement vos denrées. Il est conseillé d'activer la fonction de réfrigération rapide pendant 4 à 8 heures de temps avant d'introduire les denrées.

- Le fait d'introduire des aliments chauds dans le congélateur entraîne le fonctionnement du système de refroidissement en continu jusqu'à ce que les aliments soient entièrement congelés.

5.4 Recommandations concernant la conservation des aliments congelés

- Les aliments surgelés que vous avez achetés doivent être conservés conformément aux instructions du fabricant sur les produits congelés pour un  compartiment des denrées congelées (4 étoiles).
- Afin de veiller à ce que la qualité supérieure recherchée par le fabricant et le détaillant des produits congelés soit atteinte, il convient de se rappeler les points suivants :
 1. Mettre les emballages dans le congélateur aussi rapidement que possible après achat.
 2. Assurez-vous que le contenu de l'emballage est étiqueté et daté.
 3. Vérifiez que les mentions « à consommer avant le » et « à consommer de préférence avant le » figurant sur l'emballage sont respectées.

5.5 Disposition des denrées

Clayettes du compartiment congélation	Différentes denrées congelées comme de la viande, du poisson, des crèmes glacées, des légumes, etc.
Support à œufs	Œufs
Clayettes du compartiment de réfrigération	Nourriture dans des casseroles, assiettes couvertes et récipients fermés
Balconnets de la porte du compartiment de réfrigération	Produits ou boissons de petite taille et sous emballage (comme du lait, des jus de fruits ou de la bière, etc.)
Bac à légumes	Fruits et légumes
Compartiment Produits frais	Produits délicats (fromage, beurre, salami, etc.)

5.6 Informations concernant la congélation

Les denrées doivent être congelées le plus rapidement possible lorsqu'elles sont placées dans un réfrigérateur, afin de préserver leur qualité. Vous pouvez conserver la fraîcheur de vos denrées pendant plusieurs mois (à des températures inférieures ou égales à $-15^{\circ}\text{C}/5^{\circ}\text{F}$. dans le surgélateur).



Il est conseillé de séparer les denrées en portions en fonction des besoins quotidiens de votre famille ou par repas.



Les denrées doivent être emballées hermétiquement afin d'éviter qu'elles ne s'assèchent, même si elles ne doivent être conservées que pendant une courte période.

- Matériaux nécessaires à l'emballage :
- Bande adhésive résistant au froid
- Etiquette autocollante
- Élastiques en caoutchouc
- Stylo

Les matériaux utilisés pour l'emballage des denrées doivent résister aux déchirures, au froid, à l'humidité, et doivent être imperméables aux odeurs, aux graisses et aux acides.

Il faut éviter que les denrées à congeler n'entrent en contact avec des aliments déjà congelés afin d'empêcher le dégel partiel de ces aliments.



Les denrées congelées doivent être consommées immédiatement après leur décongélation et elles ne doivent jamais être recongelées.

5.7.1 Utilisation du distributeur

(pour certains modèles)

1. Pour enlever le récipient à glaçons, tournez le loquet situé au niveau de la poignée et sortez le récipient.

2. Au moment de remettre le récipient, s'assurer que la spirale à l'intérieur est bien positionnée. Ne touchez à aucune partie amovible.

Le distributeur de glaçons ne fonctionnera pas si la porte du réfrigérateur est ouverte.

Lorsque vous passez de l'option cubes de glace à l'option glace pilée, la glace pilée restant de l'opération précédente peut être distribuée.

Dans des circonstances normales, vous pouvez commencer à utiliser le distributeur de glaçons à pleine capacité après un jour.

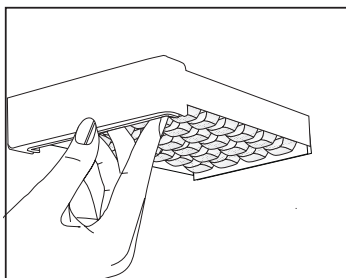
Le distributeur de glaçons vous permet d'obtenir facilement les glaçons provenant du réfrigérateur.

5.7.2 Fabrication des glaçons

(pour certains modèles)

Remplissez le récipient à glaçons avec de l'eau et remettez-le à sa place. Vos glaçons seront prêts dans environ deux heures.

Vous pouvez facilement récupérer vos glaçons en tordant légèrement le récipient qui le contient.

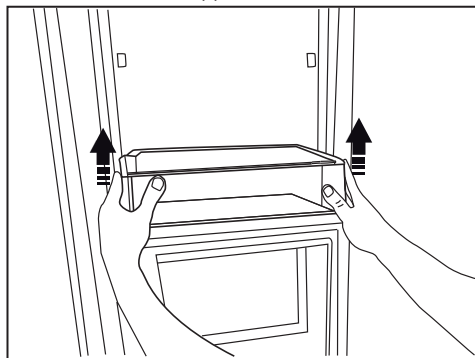


5.8 Enlever les balconnets

Vous pouvez retirer les balconnets afin de les nettoyer. Poussez le balconnet que vous souhaitez nettoyer vers le haut, afin de le retirer.

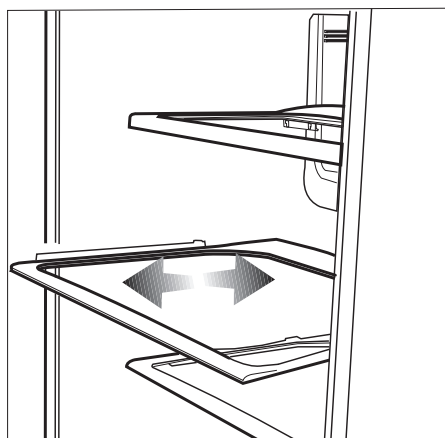
Ne retirez pas le balconnet lorsqu'il y'a de la nourriture.

Videz tout d'abord l'appareil de tout matériel.



5.9 Étagères en verre

Vous pouvez retirer les balconnets afin de les nettoyer. Soyez prudents lorsque vous retirez les balconnets car ils pèsent.

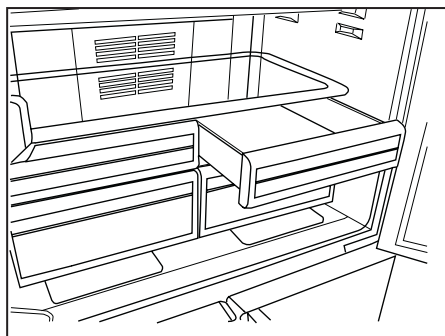


5.10 Compartiment Zone fraîche (pour certains modèles)

Les compartiments zone fraîche vous permettent d'apprêter des aliments destinés à la congélation. Vous pouvez également utiliser ces compartiments si vous souhaitez conserver vos aliments à une température quelque peu inférieure à celle du compartiment de réfrigération.

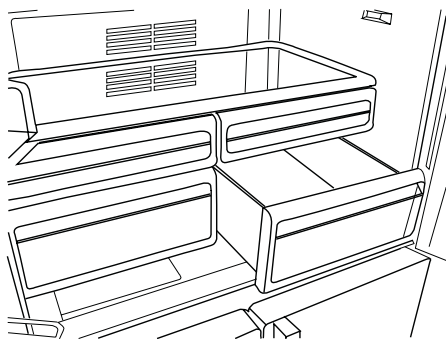
Vous pouvez augmenter le volume interne de votre réfrigérateur en enlevant le compartiment Zone fraîche souhaité.

1. Poussez le compartiment vers vous jusqu'à ce qu'il s'arrête.
2. Soulevez ce compartiment d'environ 1 cm et poussez-le vers vous pour l'enlever de son support.



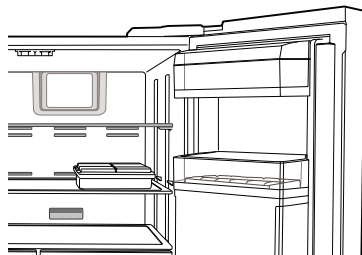
5.11 Bac à légumes

Le bac à légumes du réfrigérateur a été spécialement conçu pour vous aider à conserver vos denrées au frais sans que celles-ci n'aient à perdre de leur humidité. C'est pourquoi en général, l'air frais circule d'avantage tout autour du bac à légumes. Enlevez les balconnets de porte alignés contre le bac à légumes avant d'enlever les bacs à légumes.



5.12 Section pour Beurre et Fromages (pour certains modèles)

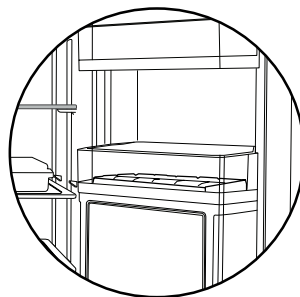
Conservez des aliments tels que le beurre, le fromage et la margarine dans cette partie.



5.13. Support à œufs

Vous pouvez installer le support à œufs sur un balconnet de la porte ou de l'intérieur que vous souhaitez.

Ne placez jamais le support à œufs dans le compartiment de congélation.

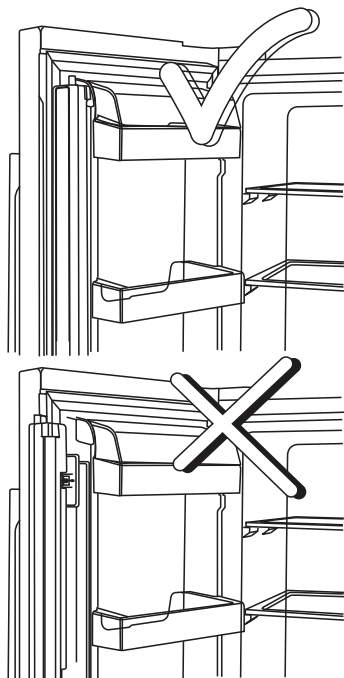


5.14 Section centrale modulable

La section modulable centrale est destinée à empêcher l'air froid situé à l'intérieur du réfrigérateur de s'échapper. Un scellement est fourni lorsque les joints d'étanchéité qui se trouvent sur la porte se retrouvent à la surface de la section centrale modulable quand les portes du compartiment réfrigérateur sont fermées.



La section centrale modulable est fermée lorsque la porte gauche du compartiment réfrigérateur est ouverte. Pour déplacer la section centrale modulable, utilisez la partie en plastique qui s'y trouve lorsque vous fermez la porte. N'essayez pas de l'ouvrir avec la main.



5.15 Compartiment de conservation Multi Zone

Vous pouvez utiliser le compartiment Multi Zone au mode souhaité, en le paramétrant aux températures du congélateur ou du réfrigérateur.

Sélection du mode réfrigérateur

Appuyez sur le bouton de réglage de la température du compartiment Multi Zone pour fixer la température entre 0 °C /32°F et 10 °C /50°F.



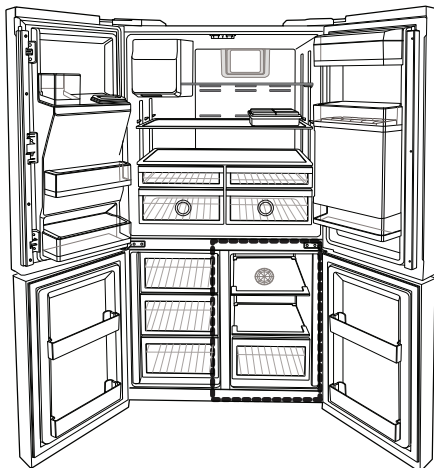
Vous pouvez conserver la charcuterie à 0 °C /32°F pendant une longue période.

Sélection du mode congélateur

Appuyez sur le bouton de réglage de la température du compartiment Multi Zone pour fixer la température à -6 °C /21°F.



Vous pouvez y conserver de la viande pendant jusqu'à 2 semaines à une température de -6 °C/21°F; vous pourrez alors les couper facilement à chaque utilisation.



Utilisation de l'appareil

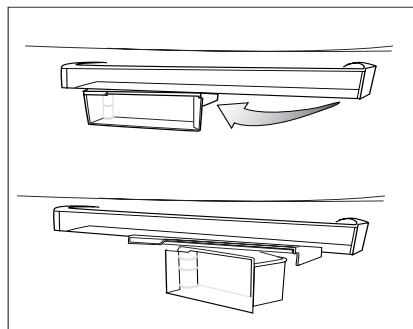


La température requise est indiquée par une valve située dans la partie fermée (compartiment du compresseur) à l'arrière du réfrigérateur. Pendant le fonctionnement de cet élément, des bruits similaires à ceux provenant d'une horloge analogique peuvent être audibles. Cela est normal et n'est pas un défaut.

5.16 Récipient de conservation pivotant

(pour certains modèles)

Cet accessoire a été mis au point dans le but de renforcer les capacités des balconnets de porte.



Lorsque le récipient pivotant est ouvert, évitez de fermer la porte du réfrigérateur.

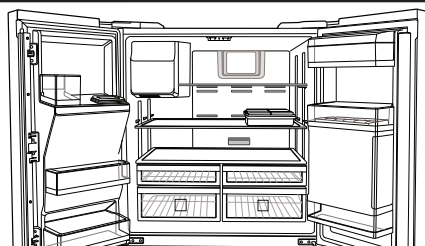


Ne surchargez pas le récipient de conservation pivotant en y mettant trop d'objets.

5.17 Éclairage bleu

(pour certains modèles)

Les bacs à légumes du réfrigérateur sont éclairés par une lumière bleue. Les denrées conservées dans les bacs à légumes continuent leur photosynthèse grâce aux effets de sa longueur d'onde et conservent ainsi leur fraîcheur et leur teneur en vitamines.



5.18 Ion

(pour certains modèles)

L'air est ionisé au moyen du système d'ionisation qui se trouve dans le conduit d'aération du compartiment réfrigérateur. Grâce à ce système, les bactéries et les molécules en suspension dans l'air qui sont à l'origine de l'odeur sont supprimées.

5.19 Filtre à odeurs

(pour certains modèles)

Le filtre à odeurs placé dans le conduit d'aération de l'appareil empêche la formation d'odeurs désagréables dans le réfrigérateur.

5.20 Utilisation du distributeur d'eau

(pour certains modèles)



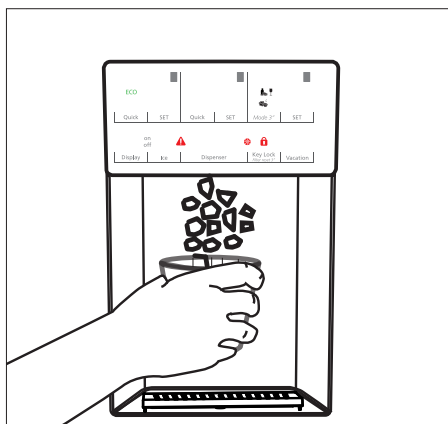
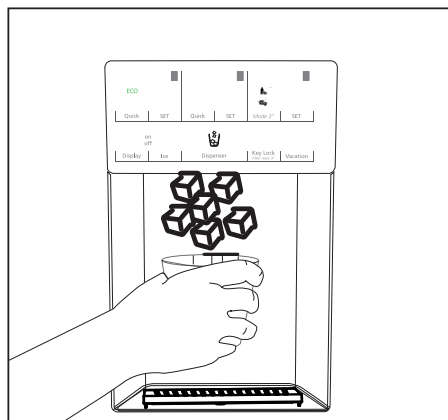
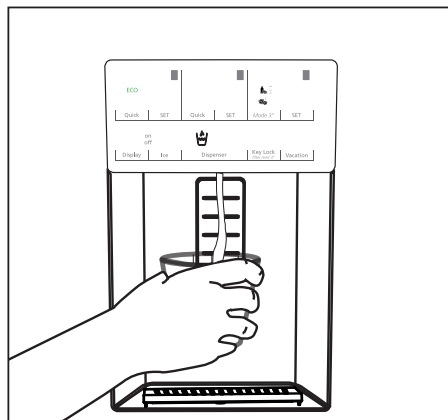
Il est tout à fait normal que les premiers verres d'eau tirés du distributeur soient chauds.



Si le distributeur d'eau n'est pas utilisé pendant une longue période, débarrassez-vous des premiers verres d'eau afin d'obtenir de l'eau fraîche.

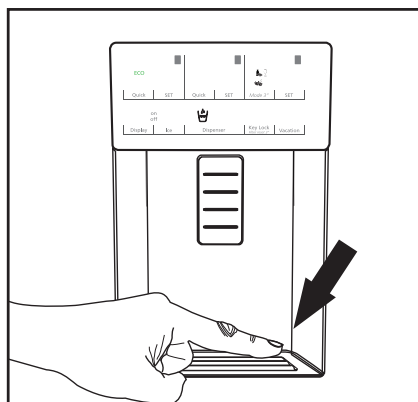
Lors de la première utilisation, vous devrez attendre pendant environ 12 heures afin que l'eau se refroidisse.

Pour obtenir de l'eau, sélectionnez tout d'abord l'option d'eau, appuyez ensuite sur la gâchette. Enlevez le verre peu de temps après avoir tiré sur la gâchette.



5.21 Bac de dégivrage (pour certains modèles)

L'eau qui s'écoule lors de l'utilisation du distributeur d'eau s'accumule dans le bac de dégivrage. Enlevez le plateau d'égouttage en le tirant vers vous ou en appuyant sur son bord (selon le modèle). Retirez l'eau à l'aide d'une éponge ou d'un chiffon doux.



6 Entretien et nettoyage

La durée de vie de l'appareil est prolongée et les problèmes généralement rencontrés diminuent s'il est nettoyé à intervalles réguliers.



AVERTISSEMENT : Débranchez l'appareil avant de le nettoyer.

- N'utilisez jamais d'essence, de benzène ou de matériaux similaires pour le nettoyage.
- N'utilisez jamais d'outils tranchants ou abrasifs, savon, produits de nettoyage domestique, détergent et cirage pour le nettoyage.
- Dissolvez une cuillerée à café de carbonate dans un demi litre d'eau. Trempez un tissu dans cette solution et essorez-le soigneusement. Nettoyez soigneusement l'intérieur du Congélateur / réfrigérateur avec ce chiffon et ensuite avec un chiffon sec.
- Prenez soin de ne pas faire couler d'eau dans le logement de la lampe et dans d'autres éléments électriques.
- Si le Congélateur / réfrigérateur restera non utilisé pendant une longue période, débranchez-le, enlevez tous les aliments qui s'y trouvent, nettoyez-le et laissez la porte entrouverte.
- Vérifiez régulièrement que les joints des portes sont propres. Si tel n'est pas le cas, nettoyez-les.
- Pour retirer les étagères de la porte ou à l'intérieur, videz-en tout le contenu. Retirez les étagères de la porte en les tirant. Après les avoir nettoyé, faites-les glisser du haut vers le bas pour les remettre en place.
- Ne jamais utiliser des produits nettoyants ou de l'eau contenant du chlore pour le nettoyage des surfaces externes et des pièces chromées du produit. Le chlore entraîne la corrosion de ces surfaces métalliques.

6.1 Prévention des mauvaises odeurs

Les matériaux susceptibles d'être à l'origine d'une odeur ne sont pas utilisés dans la fabrication de nos Congélateur / réfrigérateurs. Cependant, des conditions de conservation inappropriées et le non nettoyage de la surface interne du Congélateur / réfrigérateur tel que recommandé peuvent vous amener à être confronté au problème d'odeur. Pour éviter ces odeurs, faites attention aux points suivants:

- Il est important d'entretenir la propreté du Congélateur / réfrigérateur. Les résidus d'aliments, les taches, etc. peuvent être à l'origine des odeurs. Par conséquent, nettoyez le Congélateur / réfrigérateur avec du carbonate dissout dans l'eau, tous les 15 jours. N'utilisez jamais de détergent ou de savon.
- Conservez les denrées dans des récipients fermés. Les micro-organismes issus de récipients non fermés peuvent dégager des odeurs désagréables.
- Ne conservez jamais les aliments dont la date de consommation est déjà dépassée et des aliments pourris dans le Congélateur / réfrigérateur.

6.2 Protection des surfaces en plastique

Ne placez pas d'huiles ou de plats huileux dans le Congélateur / réfrigérateur dans des récipients non fermés, car les graisses peuvent endommager les surfaces en plastique du Congélateur / réfrigérateur. Si vous versez ou éclaboussez de l'huile sur les surfaces en plastique, nettoyez et lavez les parties souillées avec de l'eau chaude immédiatement.

7 Dépannage

Veuillez vérifier la liste suivante avant d'appeler le service après-vente. Cela peut vous faire économiser du temps et de l'argent. Cette liste regroupe les problèmes les plus fréquents ne provenant pas d'un défaut de fabrication ou d'utilisation du matériel. Il se peut que certaines des fonctions décrites ne soient pas présentes sur votre produit.

Le Congélateur / réfrigérateur ne fonctionne pas.

- La fiche n'est pas insérée correctement dans la prise. >>> *Insérez correctement la fiche dans la prise.*
- Est-ce que le fusible ou la douille de raccord du Congélateur / réfrigérateur sont connectés ou est-ce que le fusible principal a sauté ? >>> *Vérifiez le fusible.*

Condensation sur la paroi intérieure du compartiment Congélateur / réfrigérateur. (MULTIZONE, COOL CONTROL et FLEXI ZONE).

- La température ambiante est très froide. >>> *N'installez pas le Congélateur / réfrigérateur dans des endroits où la température peut être inférieure à 10 °C.*
- La porte a été ouverte souvent. >>> *Évitez d'ouvrir et de fermer la porte du Congélateur / réfrigérateur souvent.*
- L'environnement est très humide. >>> *N'installez pas votre Congélateur / réfrigérateur dans des endroits très humides.*
- La nourriture contenant du liquide est conservée dans des récipients ouverts. >>> *Conservez les aliments comportant des liquides dans des récipients fermés.*
- La porte du Congélateur / réfrigérateur est laissée entrouverte. >>> *Ne laissez pas les portes du Congélateur / réfrigérateur ouvertes pendant une durée prolongée.*
- Le thermostat est réglé à un niveau très froid. >>> *Réglez le thermostat à un niveau adapté.*

Le compresseur ne fonctionne pas.

- Le dispositif de protection thermique du compresseur sautera en cas de coupures soudaines du courant ou de débranchement intempestif, en effet la pression du liquide réfrigérant du système de refroidissement ne sera pas équilibrée. Le Congélateur / réfrigérateur recommencera à fonctionner normalement après 6 minutes environ. Veuillez contacter le Prestataire de Services Agréé si le Congélateur / réfrigérateur ne redémarre pas après cette période.
- Le Congélateur / réfrigérateur est en mode de dégivrage. >>> *Cela est normal pour un Congélateur / réfrigérateur à dégivrage semi-automatique. Le cycle de dégivrage se déclenche régulièrement.*
- Le Congélateur / réfrigérateur n'est pas branché à la prise. >>> *Assurez-vous que la prise est branchée à la prise murale.*
- Les réglages de température ne sont pas effectués correctement. >>> *Sélectionnez la température appropriée.*
- Il y a une panne de courant. >>> *Le Congélateur / réfrigérateur recommence à fonctionner normalement après le retour du courant.*

Le niveau sonore augmente lorsque le Congélateur / réfrigérateur est en marche.

Dépannage

- Les caractéristiques de performance du Congélateur / réfrigérateur peuvent changer en raison des variations de la température ambiante. Cela est normal et n'est pas un défaut.

Le Congélateur / réfrigérateur fonctionne fréquemment ou pendant de longues périodes.

- Votre nouveau Congélateur / réfrigérateur est peut être plus large que l'ancien. Les grands Congélateur / réfrigérateurs durent plus longtemps.
- La température de la pièce est probablement élevée. >>> *Il est normal que l'appareil fonctionne pendant plus longtemps quand la température ambiante est élevée.*
- Le Congélateur / réfrigérateur pourrait y avoir été branché tout récemment ou pourrait avoir été chargé de denrées alimentaires. >>> *Quand le Congélateur / réfrigérateur a été branché ou rempli avec de la nourriture récemment, il prendra plus de temps pour atteindre la température réglée. Ce phénomène est normal.*
- D'importantes quantités de denrées chaudes ont peut être été introduites dans le Congélateur / réfrigérateur récemment. >>> *Ne mettez pas de nourriture chaude dans le Congélateur / réfrigérateur.*
- Les portes ont peut être été ouvertes fréquemment ou laissées entrouvertes pendant une durée prolongée. >>> *L'air chaud qui entre dans le Congélateur / réfrigérateur le fait fonctionner pendant de plus longues périodes. N'ouvrez pas les portes fréquemment.*
- La porte du congélateur ou du Congélateur / réfrigérateur est probablement entrouverte. >>> *Vérifiez que les portes sont bien fermées.*
- Le Congélateur / réfrigérateur est réglé à une température très basse. >>> *Réglez la température du Congélateur / réfrigérateur à un degré supérieur et attendez jusqu'à ce que la température soit bonne.*
- Le joint de la porte du Congélateur / réfrigérateur ou du congélateur peut être sale, déchiré, rompu ou mal en place. >>> *Nettoyez ou remplacez le joint. Tout joint endommagé/déchiré fait fonctionner le Congélateur / réfrigérateur pendant une période de temps plus longue afin de conserver la température actuelle.*

La température du congélateur est très basse alors que celle du Congélateur / réfrigérateur est correcte.

- La température du congélateur est réglée à une température très basse. >>> *Réglez la température du congélateur à un niveau supérieur et vérifiez.*

La température du Congélateur / réfrigérateur est très basse alors que celle du congélateur est correcte.

- La température du Congélateur / réfrigérateur est réglée à une température très basse. >>> *Réglez la température du Congélateur / réfrigérateur à un degré supérieur et vérifiez.*

Les denrées conservées dans les tiroirs du compartiment de réfrigération sont congelées.

- La température du Congélateur / réfrigérateur est réglée à une température très basse. >>> *Réglez la température du Congélateur / réfrigérateur à un niveau inférieur et vérifiez.*

La température dans le Congélateur / réfrigérateur ou le congélateur est très élevée.

- La température du Congélateur / réfrigérateur est réglée à une température très basse. >>> *Le réglage du Congélateur / réfrigérateur a un effet sur la température du congélateur. Changez les températures du Congélateur / réfrigérateur ou congélateur et attendez jusqu'à ce que les compartiments atteignent une température suffisante.*
- Les portes ont peut être été ouvertes fréquemment ou laissées entrouvertes pendant une durée prolongée. >>> *N'ouvrez pas les portes fréquemment.*
- La porte est entrouverte. >>> *Refermez complètement la porte.*
- Le Congélateur / réfrigérateur a été branché ou rempli avec de la nourriture récemment. >>> *Ce phénomène est normal. Quand le Congélateur / réfrigérateur a été branché ou rempli avec de la nourriture récemment, il prend plus de temps pour atteindre la température réglée.*
- D'importantes quantités de denrées chaudes ont peut être été introduites dans le Congélateur / réfrigérateur récemment. >>> *Ne mettez pas de nourriture chaude dans le Congélateur / réfrigérateur.*

Vibrations ou bruits

Dépannage

- Le sol n'est pas plat ou stable. >>> *Si le Congélateur / réfrigérateur balance quand il est déplacé lentement, équilibrez-le en ajustant ses pieds. Assurez-vous que le sol est plat et suffisamment solide pour supporter le Congélateur / réfrigérateur.*
- Les éléments placés sur le Congélateur / réfrigérateur peuvent faire du bruit. >>> *Enlevez les éléments du haut du Congélateur / réfrigérateur.*

Le Congélateur / réfrigérateur produit des bruits semblables à de l'eau qui coule, à la pulvérisation d'un liquide, etc.

- Des écoulements de gaz et de liquides surviennent dans le Congélateur / réfrigérateur, de par ses principes de fonctionnement >>> *Cela est normal et n'est pas un défaut.*

Un sifflement sort du Congélateur / réfrigérateur.

- Les ventilateurs sont utilisés pour refroidir le Congélateur / réfrigérateur. Cela est normal et n'est pas un défaut.

Condensation sur les parois intérieures du Congélateur / réfrigérateur.

- Un temps chaud et humide augmente la formation de givre et de condensation. *Cela est normal et n'est pas un défaut.*
- Les portes ont peut être été ouvertes fréquemment ou laissées entrouvertes pendant une durée prolongée. >>> *N'ouvrez pas les portes fréquemment. Fermez-les si elles sont ouvertes.*
- La porte est entrouverte. >>> *Refermez complètement la porte.*

De l'humidité est présente à l'extérieur ou entre les portes du Congélateur / réfrigérateur.

- Il y a peut être de l'humidité dans l'air; ceci est tout à fait normal par un temps humide. >>> *Lorsque l'humidité est faible, la condensation disparaîtra.*

Présence d'une mauvaise odeur dans le Congélateur / réfrigérateur.

- Il n'y a pas de nettoyage régulier effectué. >>> *Nettoyez l'intérieur du Congélateur / réfrigérateur avec une éponge, de l'eau tiède ou du carbonate dissout dans l'eau.*
- Certains récipients ou matériaux d'emballage peuvent provoquer ces odeurs. >>> *Utilisez un autre récipient ou changez de marque de matériau d'emballage.*
- Les denrées sont mises au Congélateur / réfrigérateur dans des récipients sans couvercle. >>> *Conservez les denrées liquides dans des récipients fermés. Les micro-organismes issus de récipients non fermés peuvent dégager des odeurs désagréables.*
- Enlevez les aliments périmés et pourris du Congélateur / réfrigérateur.

La porte ne se ferme pas.

- Des récipients empêchent la fermeture de la porte. >>> *Remplacez les emballages qui obstruent la porte.*
- Le Congélateur / réfrigérateur n'est pas complètement vertical sur le sol. >>> *Ajustez les pieds pour équilibrer le Congélateur / réfrigérateur.*
- Le sol n'est pas plat ou solide. >>> *Assurez-vous que le sol est plat et suffisamment solide pour supporter le Congélateur / réfrigérateur.*

Les bacs à légumes sont coincés.

- Il se peut que les denrées touchent le plafond du tiroir. >>> *Disposez à nouveau les denrées dans le tiroir.*



AVERTISSEMENT : Si vous ne parvenez pas à résoudre le problème même après avoir suivi les instructions données dans cette section, consultez votre revendeur ou un Prestataire de Services Agréé. N'essayez jamais de réparer un produit non fonctionnel vous-même.

Lea este manual de usuario antes de utilizar el frigorífico.

Estimado cliente:

Le agradecemos la compra de un producto su. Esperamos que obtenga los mejores resultados de este aparato de alta calidad y fabricado con la tecnología más avanzada. Asimismo, deberá leer detenidamente este manual de usuario y los documentos que lo acompañan antes de utilizar el aparato y guardar el manual como referencia para su consulta en el futuro. Si entrega el aparato a otro propietario, no olvide incluir el manual de usuario. Cumpla con todas las advertencias e informaciones del manual de usuario.

Recuerde que este manual de usuario también es aplicable a otros modelos. Las diferencias entre los modelos se identificarán en el manual.

Explicación de los símbolos

En este manual se utilizan los siguientes símbolos:

	Información importante o consejos de utilidad.
	Advertencia de situaciones peligrosas que pueden causar lesiones o daños.
	Advertencia de descargas eléctricas.
	El embalaje del aparato se fabrica con materiales reciclables, de acuerdo con nuestro Reglamento Nacional sobre Medio Ambiente.

Contenido

1 Instrucciones importantes para la seguridad y el medio ambiente 3

- 1.1 Seguridad general3
- 1.1.2 Advertencia sobre la seguridad y la salud4
- 1.1.3 Para aparatos equipados con dispensador de agua4
- 1.2 Finalidad prevista5
- 1.3 Seguridad infantil5
- 1.4 Conformidad con la normativa WEEE y eliminación del aparato al final de su vida útil:5
- 1.5 Cumplimiento de la directiva RoHS:5
- 1.6 Información sobre el embalaje6

2 Su frigorífico 7

3 Instalación 8

- 3.1 Ubicación adecuada para la instalación.8
- 3.2 Instalación de las cuñas plásticas8
- 3.3 Conexión eléctrica9
- 3.4 Ajuste de los pies.9
- 3.5 Lámpara de iluminación10
- 3.6 Aviso de puerta abierta.10
- 3.7 Conexiones de agua.10
- 3.8 Conexión de la manguera de agua al frigorífico10
- 3.9 Conexión de la manguera de agua al suministro de agua fría.12
- 3.10 Filtro de agua.12
- 3.10.1 Montaje mural del filtro externo12
- 3.10.2 Colocación del filtro interno en el frigorífico13
- 3.11 Conexión de la manguera de agua a un recipiente14
- 3.12 Cómo hacer que el tiempo de uso del filtro se calcule automáticamente15
- 3.13 Antes de usar el dispensador de agua/hielo15
- 3.14 Transporte de la aparato.16

4 Preparación 17

- 4.1 Consejos para el ahorro de energía.17
- 4.2 Recomendaciones para el compartimento de alimentos frescos.17
- 4.3 Uso inicial18

5 Funcionamiento del aparato 20

- 5.1 Panel indicador20
- 5.2 Doble sistema de enfriamiento23
- 5.3 Congelación de alimentos frescos.23
- 5.4 Recomendaciones para la conservación de alimentos congelados24
- 5.5 Colocación de los alimentos24
- 5.6 Información sobre la congelación24
- 5.7.1 Uso del Icematic24
- 5.7.2 Elaboración de cubitos de hielo25
- 5.8 Retirada de los estantes de las puertas.25
- 5.9 Estantes de cristal25
- 5.10 Compartimento de enfriamiento25
- 5.11 Cajón de frutas y verduras26
- 5.12 Sección de mantequillas y quesos26
- 5.13. Huevera.26
- 5.14 Sección central móvil26
- 5.15 Compartimento de conservación multizona 27
- 5.16 Contenedor de almacenamiento giratorio 27
- 5.17 Luz azul.28
- 5.18 Ión28
- 5.19 Filtro de olores.28
- 5.20 Utilización del dispensador de agua28
- 5.21 Bandeja de goteo.29

6 Mantenimiento y limpieza 30

- 6.1 Cómo evitar malos olores.30
- 6.2 Protección de las superficies plásticas30

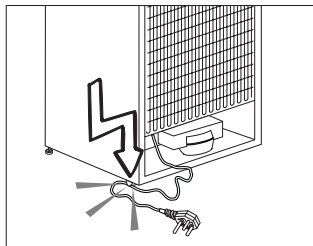
7 Solución de problemas 31

1 Instrucciones importantes para la seguridad y el medio ambiente

Esta sección contiene instrucciones sobre seguridad que le ayudarán a protegerse de posibles riesgos de lesiones o daños a la propiedad. La no observancia de estas instrucciones invalidará la garantía.

1.1 Seguridad general

- Este aparato puede ser utilizado por niños de edades no inferiores a 8 años y personas con discapacidades físicas, sensoriales o mentales o con falta de experiencia o conocimientos, siempre que lo hagan acompañados de una persona adulta familiarizada con el uso seguro del aparato y los posibles riesgos. No permita a los niños jugar con el electrodoméstico. No permita a los niños realizar trabajos de limpieza o mantenimiento del aparato, si no es bajo la supervisión de un adulto.
- Desenchufe el aparato en caso de fallo de funcionamiento.
- Si el aparato presenta alguna anomalía, no lo use hasta que no haya sido reparado por un servicio técnico autorizado. Existe riesgo de descargas eléctricas.
- Conecte el aparato a un enchufe provisto de toma de tierra y protegido por un fusible conforme a los valores indicados en placa de características. Solicite a un electricista cualificado la instalación del sistema de conexión a tierra. Nuestra empresa no se hará responsable de daños provocados por el uso del aparato sin una toma de tierra conforme a las normativas locales.
- Desenchufe el aparato cuando no lo utilice.
- Jamás lave el aparato rociándolo con agua, Existe riesgo de descargas eléctricas.
- Nunca toque el enchufe con las manos húmedas. Nunca desenchufe el aparato tirando del cable, tire siempre del enchufe.
- Se recomienda limpiar regularmente la punta del enchufe con un paño seco.
- No enchufe el frigorífico si el enchufe no encaja con firmeza en la toma de corriente de la pared.
- No conecte el frigorífico a sistemas de ahorro de electricidad. Pueden ser perjudiciales para el aparato.
- Desenchufe el aparato durante los procedimientos de instalación, mantenimiento, limpieza y reparación.
- Deje siempre los procedimientos de instalación y reparación en manos del **servicio técnico autorizado**. El fabricante no se hará responsable de los posibles daños derivados de la realización de dichos procedimientos por parte de personas no autorizadas.
- No consuma los helados o cubitos de hielo inmediatamente después de sacarlos del compartimento congelador, ya que podría sufrir daños en su boca a causa del frío.
- No toque los alimentos congelados con las manos. Puede adherirse a la piel.
- No deposite bebidas embotelladas o enlatadas en el compartimento congelador, Podrían explotar.
- No utilice vapor o materiales de limpieza con vapor para limpiar descongelar el frigorífico. El vapor puede causar un cortocircuito o descargas eléctricas al entrar en contacto con las partes eléctricas del frigorífico.
- No utilice dispositivos mecánicos u otros medios para acelerar el proceso de descongelación distintos de los recomendados por el fabricante.
- No utilice nunca elementos del frigorífico tales como la puerta y el cajón como medio de sujeción o como escalón. Puede hacer que el aparato vuelque o dañar algunas de sus partes.



Instrucciones importantes para la seguridad y el medio ambiente

- Evite dañar el circuito del refrigerante con herramientas cortantes o de perforación. El refrigerante contenido en los canales de gas del evaporador, los conductos o los recubrimientos de las superficies puede causar irritaciones en la piel y lesiones en los ojos.
- No cubra ni bloquee los orificios de ventilación de su frigorífico con ningún material.
- Coloque las bebidas de mayor graduación alcohólica juntas y en posición vertical.
- No utilice pulverizadores con gas cerca del aparato, porque existe riesgo de incendio o explosión.
- No deposite nunca en el frigorífico productos inflamables o que contengan gases inflamables (p. ej. aerosoles).
- No coloque recipientes con líquidos sobre el aparato. Si el agua se vierte sobre un componente eléctrico, podría causar descargas eléctricas o un incendio.
- No guarde en el frigorífico productos (vacunas, medicamentos sensibles al calor, materiales científicos, etc.) que requieran un control preciso de la temperatura.
- Si no va a utilizar el aparato durante un periodo prolongado de tiempo, desenchúfelo y retire los alimentos de su interior.
- Si el aparato incorpora luz azul, no mire a la luz azul con herramientas ópticas.
- Desde el punto de vista de la seguridad eléctrica, es peligroso exponer el aparato a la lluvia, la nieve o el viento.
- En aparatos con control mecánico (termostato), espere un mínimo de 5 minutos antes de volver a enchufar el aparato, si ha sido desenchufado.
- No sobrecargue el aparato. Podrían caerse al abrir la puerta y causar lesiones o daños. Problemas similares pueden producirse si se colocan objetos sobre el aparato.
- Si la puerta del aparato está equipada con un tirador, no tire de él para cambiar o desplazar el frigorífico. Podría soltarse.
- Tenga cuidado de que sus manos o cualquier otra parte de su cuerpo no queden atrapada por las piezas móviles del interior del aparato.

1.1.2 Advertencia sobre la seguridad y la salud




Si el sistema de refrigeración de su aparato contiene R600a:

Este gas es inflamable. Por lo tanto, procure no dañar el sistema de enfriamiento ni sus conductos durante el uso o el transporte del aparato. En caso de daños, mantenga el aparato alejado de fuentes potenciales de ignición que puedan provocar que éste sufra un incendio, y ventile la estancia en la que se encuentre el aparato.

Ignore esta advertencia si el sistema de refrigeración de su aparato contiene R134a.

El tipo de gas utilizado en el aparato se indica en la placa de datos ubicada en la pared interior izquierda del frigorífico.

Jamás arroje el aparato al fuego.

	Si el aparato está equipado con un sistema de refrigeración que contiene gas R134a, ignore esta advertencia.
	Puede ver qué gas se ha utilizado en la fabricación de su aparato en la placa de características ubicada en la parte interior izquierda.
	ADVERTENCIA: Jamás arroje el aparato al fuego.

1.1.3 Para aparatos equipados con dispensador de agua

- La presión de la red de suministro de agua debe ser de 1 bar como mínimo y 8 bares como máximo.
- Use agua potable únicamente.

1.2 Finalidad prevista

- Este aparato ha sido diseñado para uso doméstico. No es adecuado para un uso comercial y no debe dársele otros usos distintos del uso previsto.
- El aparato debe utilizarse solamente para guardar alimentos.
- El fabricante declina toda responsabilidad derivada de un uso o transporte incorrectos.
- La vida útil de su aparato es de 10 años. Durante este periodo estarán disponibles los recambios originales necesarios para que el aparato funcione adecuadamente.

1.3 Seguridad infantil

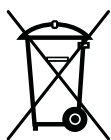
- Los materiales de embalaje son peligrosos para los niños. Guarde los materiales de embalaje en lugar seguro, lejos del alcance de los niños.
- Los aparatos eléctricos son peligrosos para los niños. Manténgalos alejados del aparato cuando esté en funcionamiento
- Si la puerta del aparato incorpora una cerradura, mantenga las llaves fuera del alcance de los niños.



PELIGRO: Riesgo de que los niños queden atrapados. Antes de deshacerse de su viejo frigorífico o congelador:

- Retire las puertas.
- Deje los estantes en su sitio para evitar que los niños puedan meterse en el frigorífico con facilidad.

1.4 Conformidad con la normativa WEEE y eliminación del aparato al final de su vida útil:



Este producto es conforme con la directiva de la UE sobre residuos de aparatos eléctricos y electrónicos (WEEE) (2012/19/UE). Este producto incorpora el símbolo de la clasificación selectiva para los residuos de aparatos eléctricos y electrónicos (WEEE).

Este aparato se ha fabricado con piezas y materiales de primera calidad, que pueden ser reutilizados y son aptos para el reciclado. No se deshaga del producto junto con sus residuos domésticos normales y de otros tipos al final de su vida útil. Llévelo a un centro de reciclaje de dispositivos eléctricos y electrónicos. Solicite a las autoridades locales información acerca de dichos centros de recogida.

1.5 Cumplimiento de la directiva RoHS:

El producto que ha adquirido es conforme con la directiva de la UE sobre la restricción de sustancias peligrosas (RoHS) (2011/65/UE). No contiene ninguno de los materiales nocivos o prohibidos especificados en la directiva.

1.6 Información sobre el embalaje

- El embalaje del aparato se fabrica con materiales reciclables, de acuerdo con nuestro Reglamento Nacional sobre Medio Ambiente. No elimine los materiales de embalaje junto con los residuos domésticos o de otro tipo. Llévelos a un punto de recogida de materiales de embalaje designado por las autoridades locales.



PELIGRO: Riesgo de incendio o explosión. Se usa refrigerante inflamable. No use aparatos mecánicos para descongelar el frigorífico. Evite perforar los tubos de refrigerante.



PELIGRO: Riesgo de incendio o explosión. Se usa refrigerante inflamable. No use aparatos mecánicos para descongelar el frigorífico. Evite perforar los tubos de refrigerante.



PELIGRO: Riesgo de incendio o explosión. Se usa refrigerante inflamable. Consulte el manual de reparaciones o la guía del propietario antes de intentar reparar este producto. Es preciso observar todas las precauciones de seguridad.

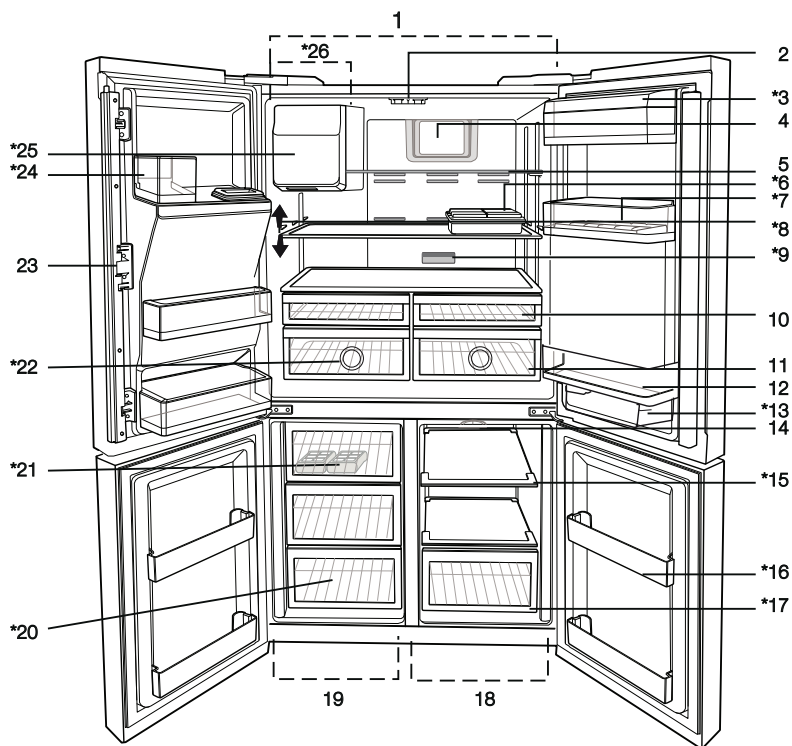


PELIGRO: Riesgo de incendio o explosión. Deshágase del aparato adecuadamente, según lo dispuesto por las normativas nacionales o locales. Se usa refrigerante inflamable.



PRECAUCIÓN:— Riesgo de incendio o explosión debido a la perforación de los tubos de refrigerante; siga las instrucciones cuidadosamente. Se usa refrigerante inflamable.

2 Su frigorífico



- 1- Compartimento frigorífico
 - 2- Direccionador de la sección central móvil
 - 3- Secciones de mantequillas y quesos
 - 4- Ventilador
 - 5- Estantes de cristal
 - 6- Bandeja de refrigerio
 - 7- Huevera
 - 8- Estante móvil
 - 9- Filtro de olores
 - 10- Compartimentos de enfriamiento
 - 11- Cajones de frutas y verduras
 - 12- Estantes de la puerta del compartimento frigorífico
 - 13- Contenedor de almacenamiento bajo el estante de la puerta
 - 14- Ventilador
 - 15- Estantes de cristal del compartimento multizona
 - 16- Estantes de la puerta del compartimento congelador
 - 17- Secciones de conservación de alimentos Multi Zona / Flexi Zona / Control del frío
 - 18- Compartimento multizona
 - 19- Compartimento congelador
 - 20- Secciones de almacenamiento de alimentos congelados
 - 21- Luz azul
 - 22- Contenedor de hielo
 - 23- Sección central móvil
 - 24- Estante de la puerta pequeña, sobre el dispensador de agua y hielo
 - 25- Contenedor de almacenamiento de hielo
 - 26- Compartimento de producción de cubitos
- * OPCIONAL




Las ilustraciones de este manual son esquemáticas y podrían no corresponderse exactamente con su aparato. Si alguno de los elementos reflejados no se corresponde con el aparato que usted ha adquirido, entonces esas partes serán válidas para otros modelos.

3 Instalación

Deje la instalación del aparato en manos del servicio técnico autorizado más cercano. De modo que el frigorífico esté preparado para su utilización, asegúrese de que la instalación eléctrica sea apropiada antes de llamar al servicio técnico autorizado. En caso contrario, solicite a un electricista cualificado la realización de los trabajos necesarios.


	La preparación de la ubicación y la instalación eléctrica son responsabilidad del cliente.
	El aparato no debe estar enchufado durante la instalación. De lo contrario, podría sufrir lesiones graves o mortales.
	ADVERTENCIA: La instalación y las conexiones eléctricas del aparato deben dejarse en manos de servicio técnico autorizado. El fabricante no se hará responsable de los posibles daños derivados de la realización de dichos procedimientos por parte de personas no autorizadas.
	ADVERTENCIA: Antes de proceder a la instalación, compruebe visualmente si la aparato presenta algún defecto. En caso afirmativo, no lo instale. Los aparatos dañados pueden poner en peligro su seguridad.
	Asegúrese de que el cable de alimentación no que atrapado o aplastado mientras empuja el aparato a su posición tras la instalación o limpieza.

3.1 Ubicación adecuada para la instalación

	ADVERTENCIA: Si la puerta de la habitación en la que se va a instalar el aparato es demasiado pequeña, deberá desmontar las puertas del aparato e inclinarlo lateralmente para que pase por la puerta.
--	---

- Elija un lugar en el que pueda usar el aparato con comodidad.

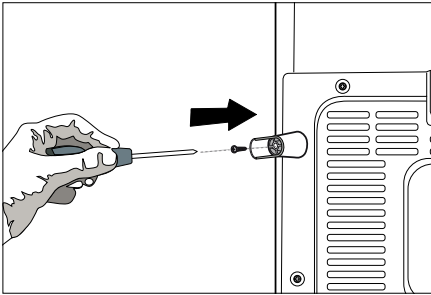
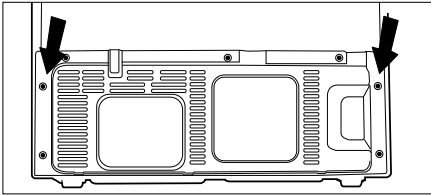
- Instale el aparato a una distancia no inferior de 30 cm de fuentes de calor como placas, hornos, radiadores y estufas y una distancia no inferior a 5 cm de cualquier horno eléctrico. No instale el aparato en estancias húmedas o expuestas a la luz solar directa.
- Para lograr un funcionamiento eficiente, el aparato debe instalarse en una zona que disponga de una ventilación adecuada. Si va a colocar el aparato en un hueco de la pared, no olvide dejar una distancia mínima de 5 cm con respecto al techo y las paredes laterales.
- No coloque el aparato sobre objetos tales como alfombras o moquetas.
- Coloque el aparato sobre una superficie lisa para evitar sacudidas.
- No instale el aparato en lugares en donde la temperatura pueda ser inferior a 10 °C /50°F.

	En caso de que vaya a instalar dos frigoríficos uno al lado del otro, debe dejar una separación no inferior a 4 cm entre ellos.
---	---

3.2 Instalación de las cuñas plásticas

Las cuñas plásticas se utilizan para crear la distancia para la circulación del aire entre el aparato y la pared trasera. Coloque las dos cuñas plásticas en la cubierta de ventilación trasera, como se muestra en la figura. Para ello, retire los tornillos de la cubierta y utilice los tornillos que encontrará en el envoltorio de las cuñas.

Instalación



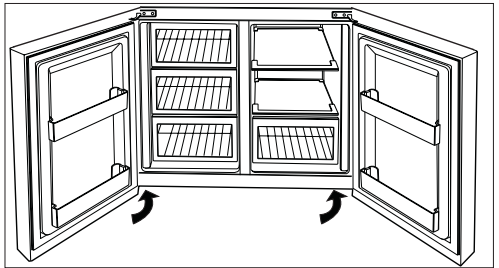
ADVERTENCIA: Si el aparato presenta alguna anomalía, no lo use hasta que no haya sido reparado por un servicio técnico autorizado. Existe riesgo de descargas eléctricas.

3.4 Ajuste de los pies

Si el aparato no queda equilibrado tras su instalación, ajuste las pies. Le será más fácil realizar esta operación si le pide a alguien que levante ligeramente el frigorífico.



ADVERTENCIA: En primer lugar, desenchufe el frigorífico. Mantenga el aparato desenchufado mientras ajusta los pies. Existe riesgo de descargas eléctricas.



Gire los pies delanteros para equilibrar el aparato. La esquina correspondiente al pie que está manipulando descenderá al girar el pie en la dirección de la flecha y se elevará al girarlo en la dirección opuesta.

3.3 Conexión eléctrica

Conecte el aparato a un enchufe provisto de toma de tierra y protegido por un fusible conforme a los valores indicados en placa de características. Nuestra empresa no se hará responsable de daños provocados por el uso del aparato sin una toma de tierra conforme a las normativas locales.

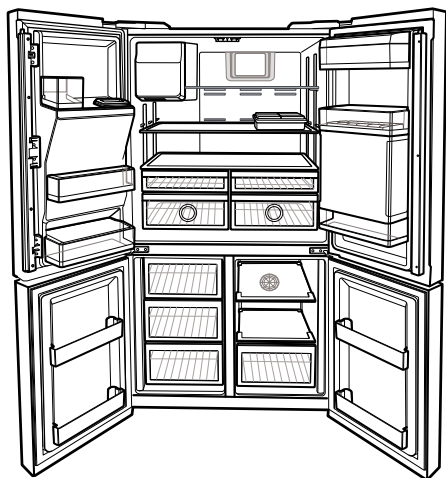
- Las conexiones eléctricas deben cumplir con las normativas nacionales.
- Tras la instalación, el enchufe del cable de alimentación debe quedar al alcance de la mano.
- La tensión y la protección por fusible o disyuntor permitida se indican en la placa de características, que se encuentra adherida en el interior del aparato. Si el valor actual del fusible o disyuntor de la vivienda no cumple con el valor de la placa de características, solicite a un electricista cualificado la instalación de un fusible adecuado.
- La tensión especificada debe corresponder a la tensión de la red eléctrica.
- No utilice cables de extensión ni ladrones para realizar la conexión eléctrica.



ADVERTENCIA: Deje en manos de un servicio técnico autorizado la sustitución de un cable de alimentación dañado.

3.5 Lámpara de iluminación

No intente realizar la reparación usted mismo; llame a un servicio técnico autorizado si las lámparas LED no se iluminan o no funcionan.



3.6 Aviso de puerta abierta

(Esta función puede variar dependiendo de la puerta del electrodoméstico y es posible que no exista en algunos modelos).

El refrigerador emitirá una señal acústica de aviso cuando la puerta del aparato permanezca abierta durante 1 minuto. Esta advertencia quedará silenciada cuando se cierre la puerta o se pulse cualquiera de los botones de la pantalla (si los hay).

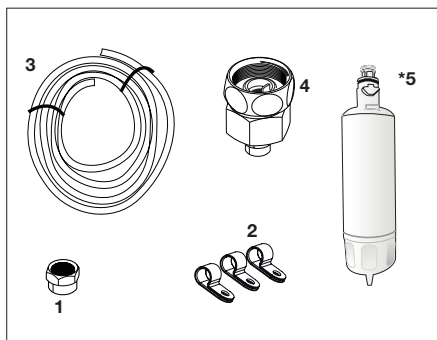
3.7 Conexiones de agua

Dependiendo del modelo del refrigerador, puede conectarlo a un recipiente o a una conexión de agua. En primer lugar, conecte la manguera del agua al refrigerador.

	Si utiliza un recipiente, deberá utilizar una bomba separada.
	ADVERTENCIA: Si utiliza una bomba con el refrigerador, deberán estar desenchufados durante la conexión.
	Las piezas siguientes pueden no estar incluidas con el aparato, porque no son necesarias cuando se utiliza un recipiente.

Compruebe que se hayan incluido las piezas siguientes con el aparato:

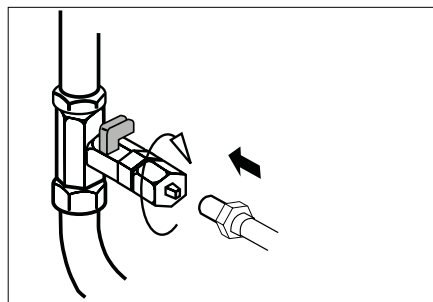
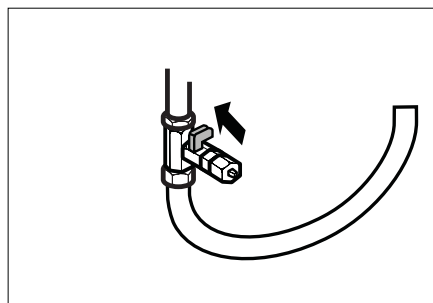
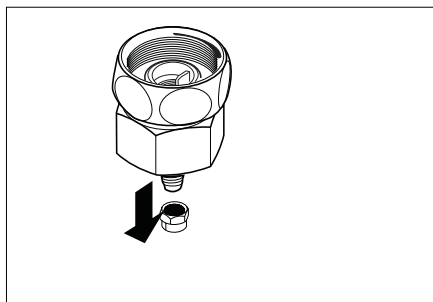
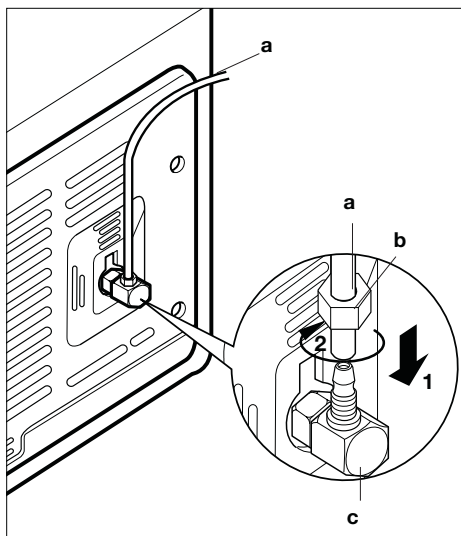
1. Racor para la conexión de la manguera de agua a la parte trasera del frigorífico
2. 3 abrazaderas de tubería (usadas para fijar la tubería del agua)
3. Tubería de agua de 5 metros (1/4" de diámetro)
4. Válvula para red de agua fría con filtro de malla (adaptador de grifo)
5. Filtro de agua externo. (Si hay una conexión a recipiente, no es necesario usar un filtro de agua.)



3.8 Conexión de la manguera de agua al frigorífico

1. Inserte la manguera de agua (a) en el racor (b).
2. Empuje la manguera del agua hacia abajo con fuerza para que se introduzca en la válvula de entrada de agua (c).
3. Apriete el racor (c) manualmente para fijarlo en la manguera de entrada de agua.

Instalación



Normalmente, no se necesita una herramienta para apretar el racor. Sin embargo, puede utilizar una llave o alicates para apretar el racor si hay una fuga.

3.9 Conexión de la manguera de agua al suministro de agua fría (en algunos modelos)

Si va a utilizar el frigorífico conectándolo al suministro de agua fría, debe instalar un conector de válvula de 1/2" estándar en la instalación de agua fría de su vivienda. En caso de que esta válvula no esté presente o bien si tiene alguna duda al respecto, consulte a un fontanero cualificado.

1. Separe el racor del adaptador de grifo.
2. Instale el adaptador de grifo a un conector de válvula de 1/2" estándar.
3. Una vez haya insertado la manguera de agua en el racor, instálela en el adaptador de grifo e inserte el racor en el grifo.
4. Apriete el racor manualmente.



ADVERTENCIA: Fije la manguera de agua en puntos adecuados por medio de las abrazaderas suministradas para evitar daños, desplazamientos o una desconexión accidental.



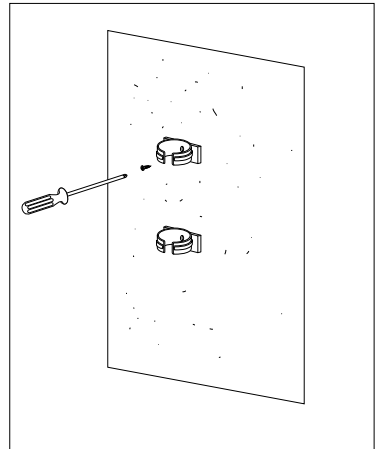
ADVERTENCIA: Una vez abierta la válvula del agua, asegúrese de que no haya ninguna pérdida en ninguno de los dos puntos de conexión de la manguera de agua. Si hay una fuga, cierre la válvula inmediatamente y apriete las juntas de nuevo mediante una llave o unos alicates.



ADVERTENCIA: Asegúrese de disponer del conector de válvula de 1/2" estándar y que esté completamente cerrado en el suministro de agua fría.

3.10.1 Montaje mural del filtro externo

1. En primer lugar, determine la ubicación de montaje del filtro externo.
2. A continuación, determine la distancia entre el filtro y el grifo y el filtro y la entrada de agua, respectivamente. Prepare las mangueras con las longitudes necesarias.
3. Monte el kit de conexión del filtro en la pared con un destornillador y coloque el filtro.

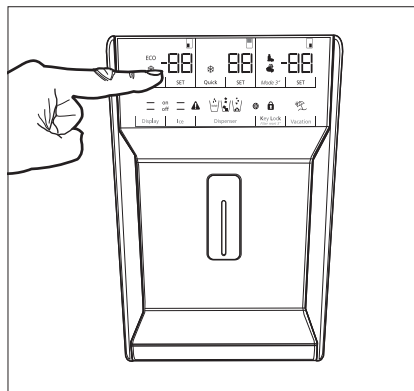
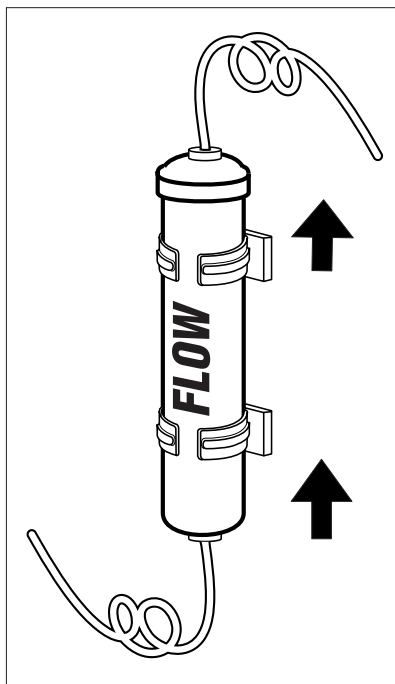


ADVERTENCIA: El filtro de agua se colocará en posición vertical, como se muestra en la figura. Es importante conectar las mangueras de entrada y salida de agua correctamente en el filtro.

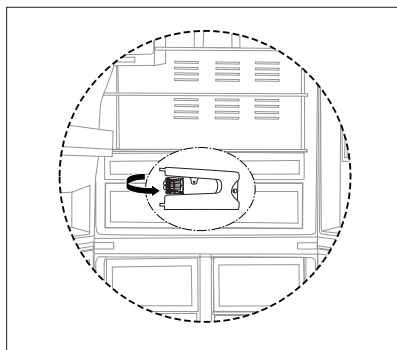
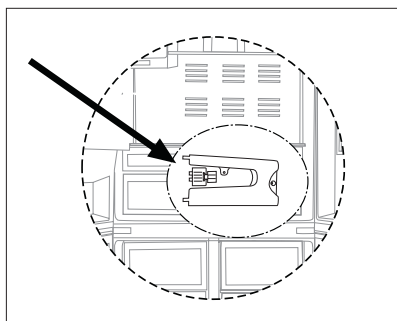
3.10 Filtro de agua (en algunos modelos)

Su frigorífico puede estar equipado con un filtro interno o externo, dependiendo del modelo. Para la instalación del filtro de agua, siga las siguientes instrucciones y consulte las correspondientes ilustraciones:

3.10.2 Colocación del filtro interno en el frigorífico



1. Pulse el botón "Ice Off" (no hielo) en la pantalla.
2. Retire los compartimentos de frutas y verduras y de enfriamiento para acceder al filtro de agua.
3. Retire la tapa de derivación del filtro de agua girándola hacia abajo.



	<p>Tras conectar el filtro, deseche los 10 primeros vasos de agua.</p>
	<p>ADVERTENCIA: No monte el filtro sobre el frigorífico. Podría perforar los tubos de refrigerante.</p>

Instalación



ADVERTENCIA: Asegúrese de que el modo "Ice Off" (no hielo) esté activado antes de retirar la cubierta de derivación.



Es normal que tras retirar la cubierta se produzca un ligero goteo.

4. Apoye la tapa del filtro de agua en el mecanismo y empuje hacia delante para colocarla en su posición.
5. Pulse de nuevo el botón **"Ice Off"** (no hielo) en la pantalla para salir de este modo.



El filtro de agua debe sustituirse cada 6 meses. Cuando sustituya el filtro de agua, o si no va a utilizarlo de nuevo, retírelo como se muestra en la figura e instale la tapa de derivación. Asegúrese de que el modo "Ice Off" (no hielo) está activo antes de retirar el filtro de agua.



ADVERTENCIA: El filtro de agua sirve para eliminar algunas partículas extrañas del agua. No purifica el agua de microorganismos.



ADVERTENCIA: El botón **Ice Off** (no hielo) debe estar siempre pulsado durante la operación de sustitución del filtro de agua o la instalación de la tapa de derivación.



ADVERTENCIA: Desenchufe el aparato durante la sustitución del filtro.

3.11 Conexión de la manguera de agua a un recipiente

(en algunos modelos)

Para la conexión del suministro de agua entre el frigorífico y el recipiente, deberá utilizar una bomba de agua. Siga las siguientes instrucciones tras conectar al frigorífico un extremo de la manguera de agua que sale de la bomba.

1. Complete la conexión empujando el otro extremo de la manguera de agua en la entrada de la manguera de agua de la bomba.

2. Coloque y fije la manguera de la bomba en el recipiente.
3. Una vez realizada la conexión, enchufe y ponga en marcha la bomba.



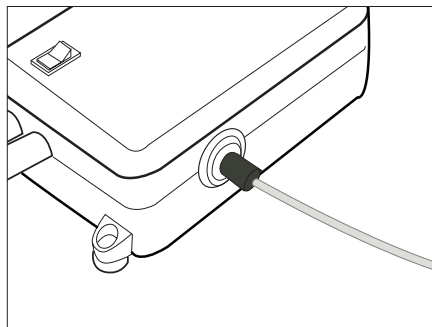
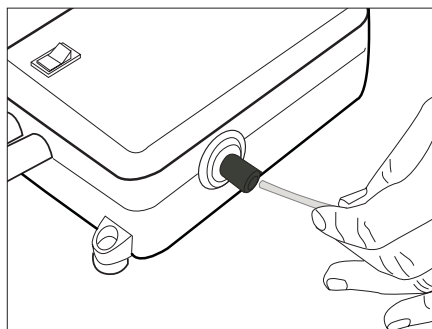
Cuando la bomba se ponga en funcionamiento, espere 2-3 minutos hasta alcanzar la eficacia necesaria.

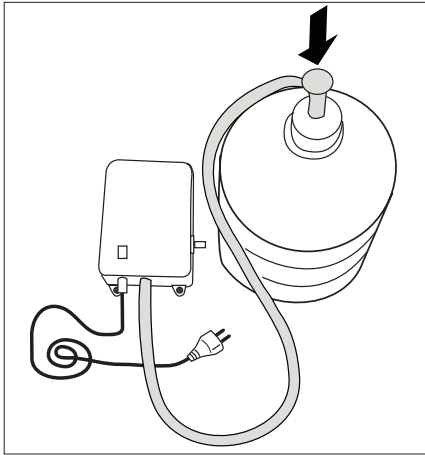


También puede consultar el manual de la bomba para realizar la conexión de agua.



No es necesario utilizar un filtro de agua con el recipiente.





Quando los botones se pulsan en el orden correcto, se apaga el símbolo de bloqueo de las teclas, se oirá una señal acústica breve, y se iluminará el indicador de aviso de cambio de filtro. Al pulsar el botón **Aviso de sustitución del filtro**, los tiempos de uso del filtro empiezan a calcularse automáticamente.



Si el tiempo de uso del filtro se calcula automáticamente, el indicador luminoso de cambio del filtro se quedará iluminado de forma permanente en el plazo de unos segundos tras enchufar el aparato.



El cálculo automático del tiempo de uso del filtro no viene activado de fábrica. Debe activarse en los aparatos provistos de filtro.

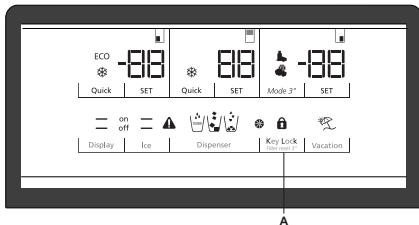


Si se repite el mismo procedimiento con el cálculo de tiempo de uso del filtro activado, se cancelará la función.

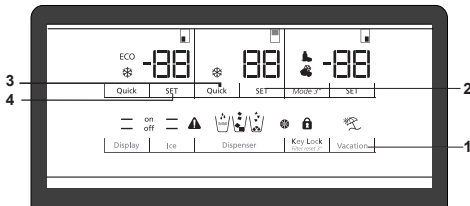
3.12 Cómo hacer que el tiempo de uso del filtro se calcule automáticamente

(Para aparatos conectados a la red de suministro de agua y dotados de filtro)

1- Enchufe el frigorífico a la red eléctrica. Pulse el botón **A** (bloqueo de teclas) simultáneamente para bloquear las teclas.



2- A continuación, pulse los siguientes botones consecutivamente.



1. Botón del modo vacaciones
2. Botón de ajuste de la temperatura del frigorífico
3. Botón de ajuste del enfriamiento rápido
4. Botón de ajuste de la temperatura del congelador

3.13 Antes de usar el dispensador de agua/hielo

- Si la presión del agua es inferior a 1 bar o si se utilizará un recipiente, debe utilizarse una conexión aparte.
- El sistema de agua del frigorífico debe conectarse al conducto del agua fría. **No debe conectarse al conducto del agua caliente.**
- Es posible que el dispensador no suministre agua al utilizar por primera vez el frigorífico. Ello se debe a la presencia de aire en el sistema. Para descargar el aire del sistema, pulse la palanca del dispensador en periodos de 1-2 minutos hasta que salga agua por el dispensador. Al principio puede que el flujo de agua sea irregular. Cuando haya descargado el aire del sistema, el agua fluirá con normalidad.
- Durante el uso inicial, deberá esperar aproximadamente 12 hasta que el agua se enfríe.
- Se necesitarán aproximadamente 1-2 días para que el sistema produzca la cantidad necesaria de hielo.

Instalación

- La presión de la red de suministro de agua debe ser de entre 1 y 8 bar para que el dispensador de agua/hielo funcione con normalidad. Para saber si eso es así, compruebe si puede llenar un vaso de agua (100 cc) en 10 segundos.
- Los primeros diez vasos de agua no deben beberse.
- Deberá esperar aproximadamente 12 horas para obtener hielo por primera vez del dispensador de hielo. Si no hay cubitos suficientes en el recipiente, es posible que el dispensador no sirva hielo.
- No consuma los 30 primeros cubitos de hielo (3-4 litros).
- El agua de los primeros vasos puede estar turbia cuando sea usada el filtro por primera vez. Por lo tanto, no consuma los primeros vasos de agua.
- Si no ha utilizado el dispensador de agua durante un periodo de tiempo prolongado, el agua de los dos primeros vasos podría estar caliente.
- Si se produce un corte de suministro o un fallo temporal con el frigorífico en funcionamiento, puede fundirse el hielo ligeramente, y volverá a congelarse. En ese caso, los cubitos de hielo podrían adherirse. Si el corte de suministro o el fallo se prolongan, el hielo puede fundirse y causar una fuga de agua. Si esto ocurriese, vacíe y limpie el recipiente del hielo.
- Los cubitos de hielo podrían adherirse si los deja en el recipiente durante mucho tiempo.
- La instalación del sistema de agua del frigorífico deberá ser realizada por el servicio técnico autorizado.
- Si el aparato va a conectarse a la red de suministro de agua, asegúrese de que sea agua potable.
- El sistema de agua de este aparato se ha diseñado para que funcione sólo con agua. No utilice bebidas, como refrescos y/o zumos, en el sistema de agua.
- Se recomienda desconectar la conexión de agua si no va a utilizar el frigorífico durante un periodo de tiempo prolongado, por ejemplo, si va a estar de vacaciones o por razones similares.

- No intente desmontar las piezas del conjunto del recipiente del hielo.
- No intente limpiar el conjunto del recipiente del hielo sin retirarlo del frigorífico.
- Cuando sirva agua del dispensador, retire el vaso 1 segundo después de soltar el accionador. De este modo, no goteará el agua del sistema en la bandeja.

3.14 Transporte de la aparato

1. Desenchufe el aparato antes de su transporte.
2. Suelte las conexiones de agua.
3. Fije los estantes, accesorios, cajón de verduras, etc. en el interior del frigorífico con cinta adhesiva antes de volver a embalarlo.



Encinte el frigorífico una vez embalado con cinta gruesa o fíjelo con cuerdas resistentes. Siga las reglas de transporte que encontrará impresas en el propio embalaje.



Guarde el embalaje original para futuros traslados.



ADVERTENCIA: Los materiales de embalaje son peligrosos para los niños. Guarde los materiales de embalaje en lugar seguro, lejos del alcance de los niños.

4 Preparación

4.1 Consejos para el ahorro de energía



El aparato podría sufrir daños si se conecta a sistemas de ahorro de energía.

- No deje las puertas del frigorífico abiertas durante periodos largos de tiempo.
- No introduzca alimentos o bebidas calientes en el frigorífico.
- No sobrecargue el frigorífico. Se reducirá la capacidad de enfriamiento si se obstaculiza la circulación del aire en el interior.
- No coloque el frigorífico en lugares expuestos a la luz solar directa. Instale el aparato a una distancia no inferior de 30 cm de fuentes de calor como placas, hornos, radiadores y estufas y una distancia no inferior a 5 cm de cualquier horno eléctrico.
- Procure conservar los alimentos en el frigorífico en recipientes cerrados.
- Puede cargar la cantidad máxima de alimentos en el compartimento del congelador retirando el estante del cajón. El valor del consumo de energía declarado del frigorífico se ha determinado con el estante o cajón del compartimento congelador retirado y con la carga máxima de alimentos. No existe ningún riesgo en la utilización de un estante o cajón adecuado para las formas o tamaños de los alimentos que se van a congelar.
- Descongele los alimentos congelados en el compartimento frigorífico; ahorrará energía y preservará la calidad de los alimentos.



La temperatura ambiente de la estancia donde instale el frigorífico no será inferior a 10 °C /50°F. No se recomienda utilizar el frigorífico a temperaturas más bajas.



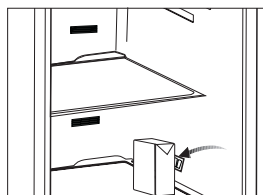
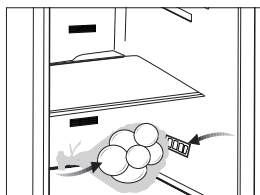
Limpie a conciencia el interior del frigorífico.



En caso de que vaya a instalar dos frigoríficos uno al lado del otro, debe dejar una separación no inferior a 4 cm entre ellos.

4.2 Recomendaciones para el compartimento de alimentos frescos

- No permita que los alimentos estén en contacto con el sensor de temperatura del compartimento de alimentos frescos. Para que el compartimento de alimentos frescos mantenga la temperatura ideal de conservación, evite que los alimentos obstruyan el sensor de temperatura.
- No deposite alimentos o bebidas calientes en el interior del frigorífico.



4.3 Uso inicial

Antes de empezar a utilizar este aparato, compruebe que se han realizado todas las preparaciones indicadas en las secciones "Instrucciones importantes sobre seguridad" e "Instalación".

- Limpie el interior del frigorífico de la forma recomendada en la sección "Mantenimiento y Limpieza". Compruebe que el interior esté seco antes de comenzar a utilizarlo.
- Enchufe el frigorífico a una toma de corriente dotada de toma de tierra. Cuando se abre la puerta, la luz interior se enciende.
- Mantenga el frigorífico en funcionamiento durante 6 horas sin alimentos en su interior y no abra la puerta si no es estrictamente necesario.

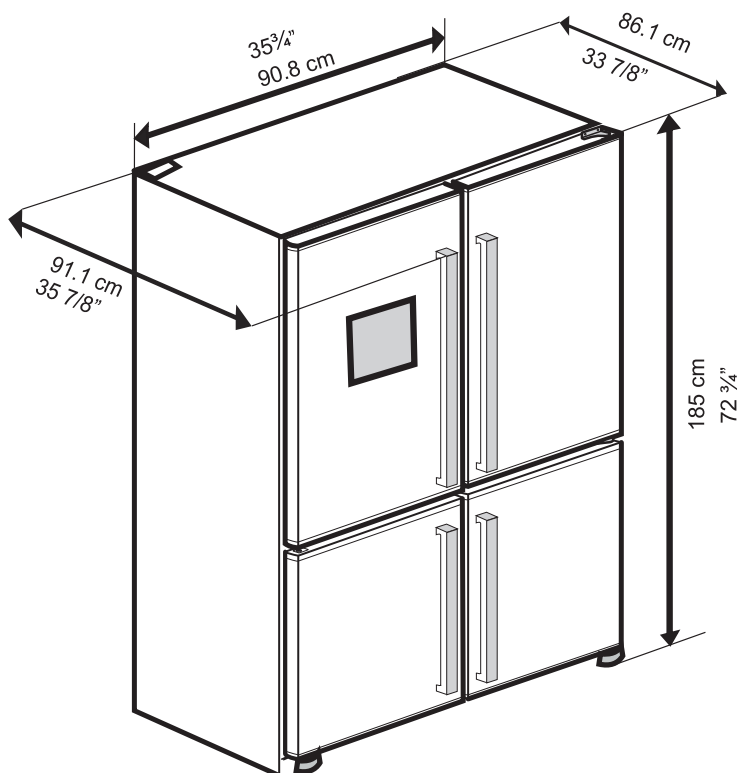


Se oye un ruido cada vez que el compresor se pone en funcionamiento. Los líquidos y los gases contenidos en el sistema de refrigeración pueden también generar ruidos, incluso aunque el compresor no esté funcionando, lo cual es normal.



Es posible que las aristas delanteras del aparato se noten calientes al tacto, cosa que es perfectamente normal. Estas zonas deben permanecer calientes para evitar la condensación.

Preparación

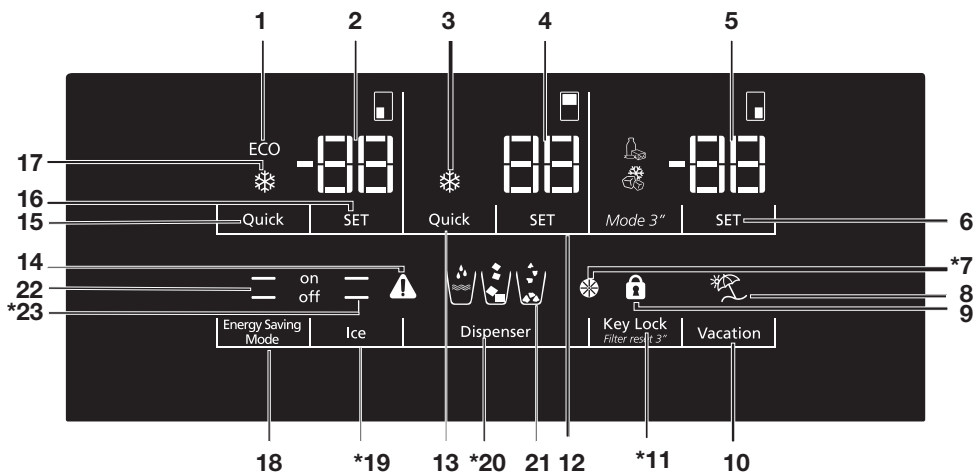


Altura (cm/inch) sin paseó	185-72 ¾"
Ancho (cm/inch) sin paseó	90.8 - 35 ¾"
Profundidad (cm/inch) sin paseó	86.1- 33 7/8"
Altura (cm/inch) paseó	196.3-77 1/5"
Ancho (cm/inch) paseó	104.9 - 41 1/5"
Profundidad (cm/inch) paseó	95.2-37.4"
Peso bruto (Kg) / lbs	143.5 - 315.7
peso muerto (Kg) / lbs	130 - 286

5 Funcionamiento del aparato

5.1 Panel indicador

El panel indicador de control táctil le permite ajustar la temperatura y controlar las demás funciones relacionadas con el aparato sin necesidad de abrir la puerta del frigorífico. Basta con pulsar el botón correspondiente para ajustar la temperatura.



- 1- Indicador del modo ahorro
- 2- Indicador de temperatura del compartimento congelador
- 3- Indicador de la función de refrigeración rápida
- 4- Indicador de temperatura del compartimento frigorífico
- 5- Indicador de temperatura del compartimento multizona
- 6- Botón de ajuste de la temperatura del compartimento multizona
- 7- Indicador de aviso de cambio de filtro
- 8- Indicador de la función de vacaciones
- 9- Indicador de bloqueo de teclas
- 10- Botón de vacaciones / Conmutador °C-°F
- 11- Botón de bloqueo de teclas / aviso de cancelación de cambio de filtro
- 12- Botón de ajuste de la temperatura del compartimento frigorífico
- 13- Botón de refrigeración rápida
- 14- Indicador de error
- 15- Botón de congelación rápida
- 16- Botón de ajuste de la temperatura del compartimento congelador
- 17- Indicador de la función de congelación rápida
- 18- Modo de ahorro de energía
- 19- Botón de activación/desactivación de la fabricación de hielo
- 20- Botón de selección de agua, hielo picado o cubitos
- 21- Indicador de selección de agua, hielo picado o cubitos
- 22- Indicador de encendido/apagado
- 23- Indicador de fabricación de hielo

* OPCIONAL



Las ilustraciones de este manual son esquemáticas y podrían no corresponderse exactamente con su aparato. Si alguno de los elementos reflejados no se corresponde con el aparato que usted ha adquirido, entonces esas partes serán válidas para otros modelos.

Funcionamiento del aparato

1. Indicador del modo ahorro

Indica que el frigorífico está funcionando en modo de eficiencia energética. Este indicador estará activo si la temperatura del compartimento congelador se fija en -18 °C o bien se está realizando un proceso de enfriamiento energéticamente eficiente mediante la función **Eco-Extra**.

2. Indicador de temperatura del compartimento congelador

Indica la temperatura ajustada para el compartimento congelador.

3. Indicador de la función de refrigeración rápida

Indica que la función de refrigeración rápida está activa. Use esta función cuando deposite alimentos frescos en el compartimento frigorífico o bien cuando precise enfriar sus alimentos con rapidez. Cuando esta función esté activa, el frigorífico funcionará ininterrumpidamente durante 2 horas. Para cancelar esta función pulse de nuevo el botón de **enfriamiento rápido**.

4. Indicador de temperatura del compartimento frigorífico

Indica la temperatura ajustada para el compartimento frigorífico.

5. Indicador de temperatura del compartimento multizona

Indica la temperatura ajustada para el compartimento multizona.

6. Botón de ajuste de la temperatura del compartimento multizona

Puede configurar el compartimento multizona como compartimento de enfriamiento o de congelación.

Pulse este botón durante 3 segundos para seleccionar el compartimento multizona como congelador o como frigorífico. De fábrica, este compartimento funciona como congelador.

7. Indicador de aviso de cambio de filtro

Indica que se ha superado el tiempo de uso del filtro.

8. Indicador de la función de vacaciones

Indica que la función de vacaciones está activa. Cuando la función de vacaciones está activa, aparece "- -" en el indicador de temperatura del compartimento frigorífico y este compartimento no enfría. Cuando esta función está activa no es adecuado conservar alimentos en el compartimento frigorífico. El resto de compartimentos se atenderán a la temperatura ajustada para ellos.

Para cancelar esta función, pulse de nuevo el botón de **vacaciones**.

9. Indicador de bloqueo de teclas

Utilice esta función si desea evitar que se cambie el ajuste de temperatura del frigorífico. Para activar esta función, pulse el botón **Bloqueo de teclas**.

10. Botón de vacaciones/ conmutador °C-°F

Pulse brevemente este botón para activar la función de vacaciones.

Mantenga pulsado el botón durante 3 segundos para activar la función de alternancia entre °C y °F. Pulse de nuevo este botón para desactivar la función seleccionada.

11. Botón de bloqueo de teclas / aviso de cancelación de cambio de filtro

Pulse este botón brevemente para activar la función de bloqueo de teclas. Mantenga pulsado durante 3 segundos para apagar la luz de advertencia del filtro.

El filtro de su frigorífico debe cambiarse cada 6 meses. Si sigue las instrucciones de la sección 3.12, su frigorífico calculará este periodo automáticamente y el indicador de advertencia de cambio de filtro se iluminará una vez agotado el tiempo de uso del filtro.

12. tón de ajuste de la temperatura del compartimento frigorífico

Pulse este botón para ajustar la temperatura del compartimento congelador a 8, 6, 4, 2 y de nuevo a 8. Pulse este botón para ajustar la temperatura que desee para el compartimento frigorífico.

13. Botón de refrigeración rápida

Pulse este botón para activar la función de refrigeración rápida. Vuelva a pulsar los mismos botones para desactivar la función.

14. Indicador de error

Este indicador se activará si su frigorífico no enfría adecuadamente o si hay un fallo en el sensor. Cuando este indicador esté activo, el indicador de la temperatura del compartimento congelador mostrará "E" y el indicador de temperatura del compartimento frigorífico mostrará números, por ejemplo "1,2,3...". Los números del indicador proporcionan al personal de mantenimiento información acerca del error.

15. Botón de congelación rápida

Pulse este botón para activar la función de refrigeración rápida. Vuelva a pulsar el mismo botón para desactivar la función.

16. Botón de ajuste de la temperatura del compartimento congelador

Pulse este botón para ajustar la temperatura del compartimento congelador a -18, -20, -22, -24, nuevamente -18 °C, etc. Pulse este botón para ajustar la temperatura que desee para el compartimento congelador.

17. Indicador de la función de congelación rápida

Indica que la función de congelación rápida está activa.

18. Modo de ahorro de energía

Esta función se activa automáticamente. Cuando esta función está activa, los LED indicadores se apagarán y el producto operará en el modo de ahorro de energía.

19. Botón de activación/desactivación de la fabricación de hielo

Permite detener o reanudar el proceso de fabricación de hielo.

20. Botón de selección de agua, hielo picado o cubitos

Pulse este botón para solicitar agua, hielo picado o cubitos de hielo. A continuación, presione el accionador para obtener agua o hielo según su selección.

21. Indicador de selección de agua, hielo picado o cubitos

En la pantalla se ilumina el indicador de agua, hielo picado o cubitos según sus preferencias.

22. Indicador de encendido/apagado

El indicador se ilumina para indicar si la pantalla está apagada o encendida.

23. Indicador de fabricación de hielo

El indicador se ilumina para indicar si se está fabricando hielo o no.

Funcionamiento del aparato

5.2 Doble sistema de enfriamiento

Este frigorífico está equipado con tres sistemas de enfriamiento separados para enfriar el compartimento de alimentos frescos, el compartimento del congelador y el compartimento multizona. De este modo, no se mezclan el aire y los olores del compartimento de alimentos frescos y el aire del compartimento congelador. Gracias a estos dos sistemas de enfriamiento independientes, la velocidad de enfriamiento es muy superior a la de otros frigoríficos. y además se obtiene un ahorro de energía adicional porque el deshielo se realiza individualmente.

5.3 Congelación de alimentos frescos

- Envuelva los alimentos o colóquelos en un recipiente tapado antes de ponerlos en el frigorífico.
- Los alimentos y bebidas calientes deben dejarse enfriar hasta alcanzar la temperatura ambiente antes de introducirlos en el frigorífico.

- Los alimentos que vaya a congelar deben ser frescos y estar en buen estado.
- Divida los alimentos en porciones basadas en las necesidades de consumo de la familia.
- Empaquete los alimentos herméticamente para evitar que se sequen, incluso si van a guardarse durante poco tiempo.
- Los materiales utilizados para empaquetar alimentos deben ser a prueba de desgarrones y resistentes al frío, a la humedad, los olores, los aceites y los ácidos, y además deben ser herméticos. También deben estar bien cerrados y estar hechos de materiales fáciles de utilizar y aptos para su uso en congeladores.
- Consuma inmediatamente los alimentos recién descongelados, y en ningún caso los vuelva a congelar.
- No congele cantidades demasiado grandes de una sola vez. La calidad de los alimentos se conserva mejor si la congelación alcanza su interior lo antes posible.
- Si se introducen alimentos calientes en el compartimento congelador, se obliga al sistema de enfriamiento a funcionar de forma continua hasta congelarlos totalmente.

Ajuste del compartimento congelador	Ajuste del compartimento frigorífico	Explicaciones
-15 °C /5°F	4 °C /40°F	Estos son los valores de uso recomendados.
-18°C/ 0°F o -21°C/- 5°F	4 °C /40°F	Se recomiendan estos valores cuando la temperatura ambiente rebase los 30 °C/86°F.
Congelación rápida	4 °C /40°F	Se utiliza para congelar los alimentos rápidamente. El frigorífico volverá a su modo de funcionamiento previo una vez finalizado el proceso.
-15°C /5°F o menos	2°C/37°F	Utilice estos ajustes si cree que el compartimento frigorífico no está suficientemente frío debido a las altas temperaturas ambientales o por la frecuente apertura y cierre de la puerta.
-15°C /5°F o menos	Refrigeración rápida	Use esta función cuando deposite demasiados alimentos en el compartimento frigorífico o bien cuando precise enfriar sus alimentos con rapidez. Se recomienda activar la función de refrigeración rápida 4-8 horas antes de colocar los alimentos.

Recomendó el uso de Temperature: FF: 4°C /40 °F Frz : -15°C/5 °F

Funcionamiento del aparato

5.4 Recomendaciones para la conservación de alimentos congelados

- Los alimentos congelados ya envasados disponibles en los comercios deben almacenarse de acuerdo con las instrucciones de su fabricante respecto de la conservación en un compartimento congelador de *** ** *** (4 estrellas).
- Si desea garantizar el mantenimiento de la calidad de los alimentos congelados proporcionada por el fabricante y por el comercio, tenga en cuenta lo siguiente:
 1. Coloque los paquetes de alimentos congelados en el congelador lo antes posible tras su compra.
 2. Asegúrese de que los contenidos del paquete tengan etiqueta y fecha.
 3. Compruebe si las fechas de consumo preferente y caducidad de los envases han vencido o no.

5.5 Colocación de los alimentos

Estantes del compartimento congelador	Alimentos congelados diversos tales como carnes, pescados, helados, verduras, etc.
Huevera	Huevos
Estantes del compartimento frigorífico	Alimentos en cazuelas, platos cubiertos y recipientes cerrados
Estantes de la puerta del compartimento frigorífico	Alimentos o bebidas en envases pequeños (leche, zumos de frutas, cerveza, etc.)
Cajón de frutas y verduras	Verduras y frutas
Compartimento de alimentos frescos	Productos delicados (queso, mantequilla, embutidos, etc.)

5.6 Información sobre la congelación

Los alimentos deben congelarse lo más rápido posible con el fin de mantenerlos en las mejores condiciones de calidad.

Los alimentos frescos pueden conservarse durante muchos meses en el congelador a temperaturas de $-15\text{ }^{\circ}\text{C}$ / 5°F o menos.



Divida los alimentos en porciones basadas en las necesidades de consumo de la familia.



Empaquete los alimentos herméticamente para evitar que se sequen, incluso si van a guardarse durante poco tiempo.

- Materiales necesarios para el empaquetado:
- Cinta adhesiva resistente al frío
- Etiquetas autoadhesivas
- Gomas elásticas
- Bolígrafo

Los materiales utilizados para empaquetar alimentos deben ser a prueba de desgarrones y resistentes al frío, la humedad, los olores, los aceites y los ácidos.

No deje que los alimentos entren en contacto con alimentos previamente congelados, con el fin de evitar que éstos puedan descongelarse parcialmente.



Consuma inmediatamente los alimentos recién descongelados, y en ningún caso los vuelva a congelar.

5.7.1 Uso del Icematic (en algunos modelos)

1. Para retirar el recipiente del hielo, gire el cierre del tirador y extraiga el recipiente.

2. Cuando coloque el recipiente, asegúrese de que la posición de la espiral en el interior del contenedor sea apropiada. No toque las piezas móviles.

El sistema Icematic no funciona con la puerta del frigorífico abierta.

Cuando se cambia de cubitos a hielo picado, puede dispensarse el hielo picado restante del uso anterior.

En condiciones normales, puede comenzar a utilizar el sistema Icematic a plena capacidad después de un día.

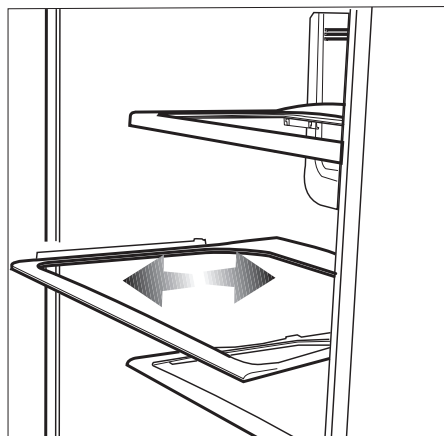
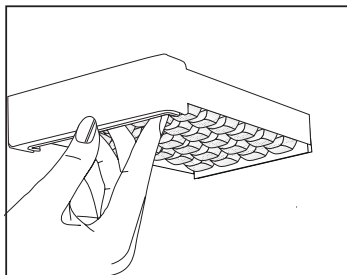
El sistema Icematic le permite obtener hielo de su frigorífico con facilidad.

Funcionamiento del aparato

5.7.2 Elaboración de cubitos de hielo

(en algunos modelos)

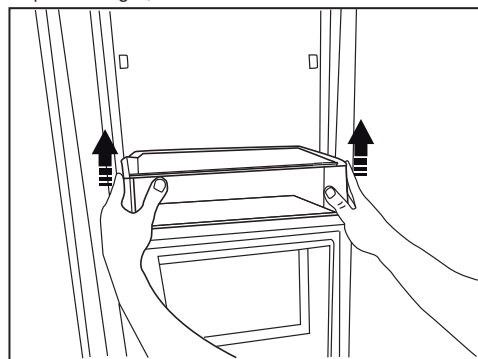
Llene el contenedor de hielo con agua y colóquelo en su sitio. El hielo estará listo en unas dos horas. Puede extraer fácilmente el hielo retorciendo ligeramente el contenedor de hielo.



5.8 Retirada de los estantes de las puertas

Puede retirar los estantes de las puertas para limpiarlos. Empuje el estante hacia arriba para retirarlo.

No retire un estante que contenga alimentos. En primer lugar, vacíelo.



5.9 Estantes de cristal

Puede retirar los estantes de cristal para limpiarlos. Tenga cuidado al retirarlos porque son muy pesados.

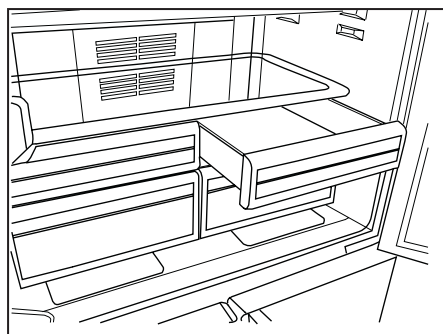
5.10 Compartimento de enfriamiento

(en algunos modelos)

Los compartimentos de enfriamiento le permiten preparar los alimentos para su congelación. También puede usar estos compartimentos para almacenar alimentos a una temperatura unos grados por debajo de la temperatura del compartimento frigorífico.

Puede aumentar el volumen interior del refrigerador retirando cualquiera de los compartimentos de enfriamiento:

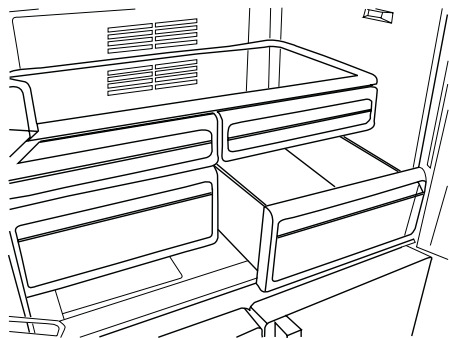
1. Tire del compartimento hacia usted hasta que haga tope.
2. Levante el compartimento aproximadamente 1 cm y tire hacia usted para retirarlo de su soporte.



Funcionamiento del aparato

5.11 Cajón de frutas y verduras

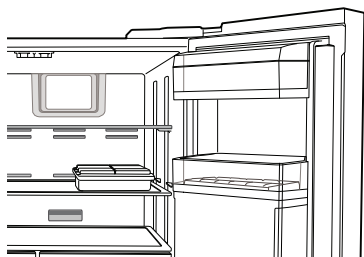
El cajón de frutas y verduras de su frigorífico está especialmente diseñado para mantener la frescura de sus vegetales sin que pierdan su humedad natural. Con este fin, alrededor del cajón de frutas y verduras se intensifica la circulación de aire frío. Antes de retirar los cajones de frutas y verduras, quite los estantes de las puertas que se apoyan contra ellos.



5.12 Sección de mantequillas y quesos

(en algunos modelos)

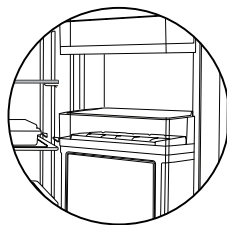
Conserve en esta sección alimentos como mantequilla, queso y margarina.



5.13. Huevera

Puede instalar la huevera en la puerta o el estante que desee.

Nunca deposite la huevera en el compartimento congelador.

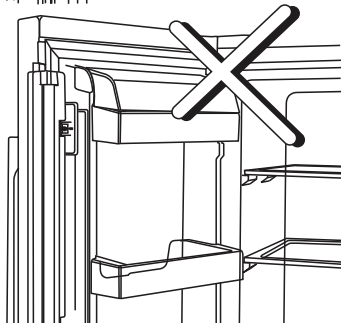
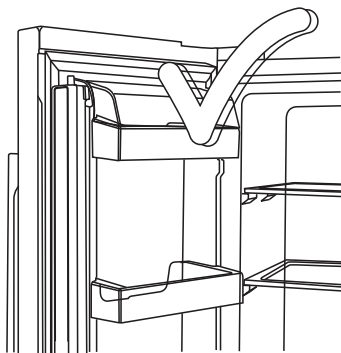


5.14 Sección central móvil

La sección central móvil tiene la función de evitar que el aire frío del interior de su frigorífico salga al exterior. Al cerrar las puertas del compartimento frigorífico, las juntas de las puertas crean un cierre hermético al hacer presión contra la superficie de la sección central móvil.



La sección central móvil está cerrada cuando se abre la puerta izquierda del compartimento frigorífico. La sección central móvil se mueve con la ayuda de la parte plástica del cuerpo durante el cierre de la puerta. No intente abrirla manualmente.



Funcionamiento del aparato

5.15 Compartimento de conservación multizona

Puede utilizar el compartimento multizona en el modo deseado ajustándolo a las temperaturas de frigorífico o congelador.

Selección del modo de frigorífico

Pulse el botón de ajuste de temperatura del compartimento multizona para seleccionar una temperatura entre 0 °C /32°F y 10 °C /50°F.



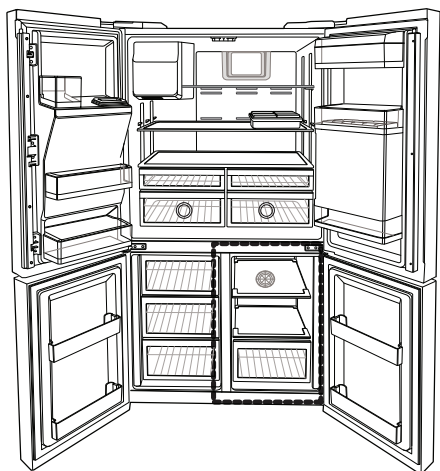
Puede conservar productos delicados a 0 °C /32°F durante periodos de tiempo prolongados.

Selección del modo de congelador

Pulse el botón de ajuste de temperatura del compartimento multizona para ajustar la temperatura a -6 °C /21°F.



Puede conservar carnes hasta 2 semanas a -6 °C /21°F en un estado que le permitirá cortarlas fácilmente.

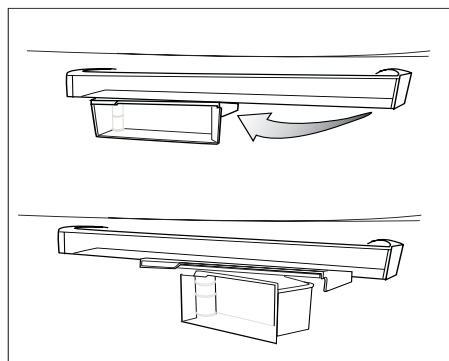


La temperatura necesaria se logra a través de una válvula situada en la sección cerrada (compartimento del compresor) de la parte trasera del frigorífico. Cuando este elemento está en funcionamiento, el sonido que emite es similar al tic-tac de un reloj analógico. Esto es perfectamente normal, no constituyendo una avería.

5.16 Contenedor de almacenamiento giratorio

(en algunos modelos)

Este accesorio está diseñado para incrementar el volumen útil de los estantes de las puertas.



No cierre la puerta del frigorífico mientras el contenedor de almacenamiento giratorio esté abierto.

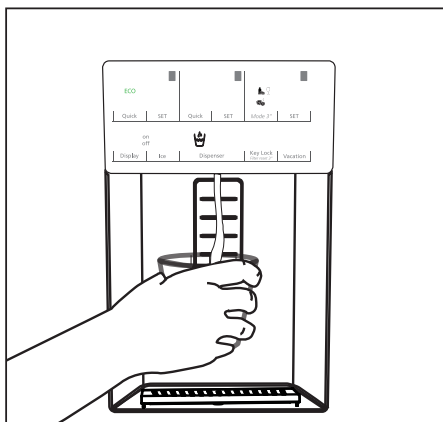
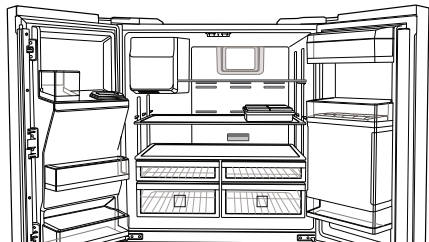


No sobrecargue el contenedor de almacenamiento giratorio.

5.17 Luz azul

(en algunos modelos)

Los cajones para verdura y frutas se iluminan en azul. El efecto de la longitud de onda de la luz azul hace que los alimentos almacenados en el cajón de frutas y verduras prolonguen su proceso de fotosíntesis, conservando de esta manera su frescura e incrementando su contenido vitamínico.



5.18 Ión

(en algunos modelos)

El aire se ioniza a través del sistema de ionización del conducto de aire del compartimento frigorífico. Gracias a este sistema, se eliminan las bacterias en el aire y las partículas que causan malos olores.

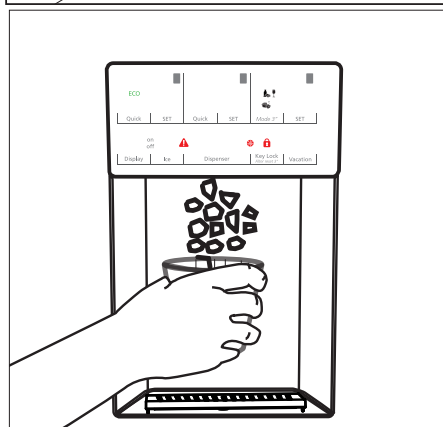
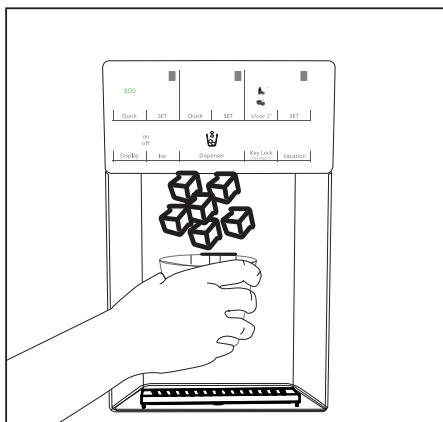
5.19 Filtro de olores

(en algunos modelos)

El filtro de olores presente en el conducto del aire del compartimento frigorífico evita la formación de olores desagradables en el frigorífico.

5.20 Utilización del dispensador de agua

(en algunos modelos)



Es normal que los primeros vasos de agua servidos por el dispensador estén calientes.



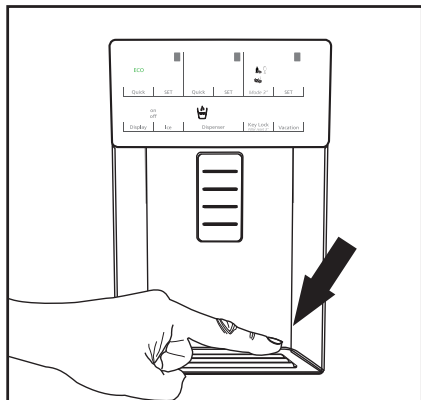
Si no se usa el dispensador de agua durante un periodo de tiempo prolongado, no consuma los primeros vasos de agua.

Durante el uso inicial, deberá esperar aproximadamente 12 hasta que el agua se enfríe. Para obtener agua, seleccione la opción de agua en la pantalla, y a continuación obtenga el agua tirando del accionador.

Retire el vaso un poco tras tirar del accionador.

5.21 Bandeja de goteo (en algunos modelos)

El agua que gotea durante el uso del dispensador de agua se acumula en la bandeja de goteo. Retire la bandeja de goteo tirando de ella hacia usted o bien haciendo presión sobre su borde (en función del modelo). Puede retirar el agua con la ayuda de una esponja o un paño suave.



6 Mantenimiento y limpieza

La limpieza a intervalos regulares del aparato contribuye a prolongar su vida útil y a reducir la frecuencia de aparición de los problemas más comunes.



ADVERTENCIA: Desenchufe el aparato antes de limpiarlo.

- No utilice gasolina, benceno o sustancias similares para la limpieza.
- No utilice para la limpieza herramientas afiladas o abrasivas, jabones, limpiadores domésticos, detergentes ni ceras abrillantadoras.
- Disuelva una cucharadita de carbonato en medio litro de agua. Empape un trapo en la solución y escúrralo. Limpie el interior del frigorífico con este trapo y seque a conciencia.
- Asegúrese de que no penetre agua en el alojamiento de la lámpara ni otros elementos eléctricos.
- Si no va a utilizar el frigorífico durante un periodo de tiempo prolongado, desenchúfelo, retire los alimentos del interior, límpielo y deje la puerta entreabierta.
- Compruebe con regularidad que las juntas de las puertas estén limpias. Si no lo están, límpielas.
- Para retirar la puerta y los estantes, retire todos sus contenidos.
Retire los estantes de las puertas tirando de ellos. Tras limpiarlo, deslícelo de arriba hacia abajo para su colocación.
- Nunca use agentes de limpieza o agua que contengan cloro para limpiar las superficies exteriores y los cromados del producto, ya que el cloro corroe dichas superficies metálicas.

6.1 Cómo evitar malos olores

Nuestros frigoríficos no se fabrican con materiales que puedan producir olores. Sin embargo, una conservación inadecuada de los alimentos y la falta de limpieza de la superficie interior del frigorífico pueden dar lugar a un problema de olores. Preste atención a los siguientes puntos para evitar este problema:

- Es importante mantener limpio el frigorífico. Los restos de alimentos, manchas, etc. pueden causar olores. Por lo tanto, limpie el frigorífico con carbonato disuelto en agua cada 15 días. No utilice detergentes o jabón.
- Conserve los alimentos en recipientes cerrados. Los microorganismos que proliferan en los envases no cubiertos pueden causar malos olores.
- Retire del frigorífico los alimentos cuya fecha de caducidad haya vencido y en mal estado.

6.2 Protección de las superficies plásticas

No deposite aceites líquidos o alimentos aceitosos en recipientes no cerrados ya que dañarán las superficies de plástico de su frigorífico. Si se derrame aceite sobre las superficies de plástico, limpie y enjuague con agua caliente la parte afectada de inmediato.

7 Solución de problemas

Le rogamos compruebe la siguiente lista antes de llamar al servicio técnico. Puede ahorrarle tiempo y dinero. Esta lista incluye problemas frecuentes no achacables a defectos en materiales o manufactura. Es posible que algunas de las características mencionadas no estén presentes en su aparato.

El frigorífico no funciona

- El enchufe no está insertado en la toma de corriente. >>> *Inserte el enchufe con firmeza en la toma de corriente.*
- El fusible principal o el fusible del enchufe al cual ha conectado el frigorífico están fundidos. >>> *Revise los fusibles.*

Condensación en la pared lateral del compartimento frigorífico (MULTIZONA, CONTROL DE FRÍO y FLEXI ZONA).

- La temperatura ambiente es muy baja. >>> *No instale el frigorífico en lugares en donde la temperatura pueda ser inferior a los 10 °C.*
- Las puertas se han abierto con frecuencia. >>> *No abra o cierre las puertas del frigorífico con frecuencia.*
- El ambiente es muy húmedo. >>> *No instale el frigorífico en lugares con una humedad muy alta.*
- Se almacenan alimentos que contienen líquidos en recipientes abiertos. >>> *Guarde los alimentos con contenidos líquidos en recipientes cerrados.*
- La puerta del frigorífico se ha dejado entreabierta. >>> *No deje las puertas del frigorífico abiertas durante periodos largos de tiempo.*
- El termostato está ajustado a un nivel muy bajo. >>> *Ajuste el termostato a un nivel adecuado.*

El compresor no funciona

- El dispositivo térmico protector del compresor saltará en caso de un corte súbito de energía o de idas y venidas de la corriente, ya que la presión del refrigerante en el sistema de enfriamiento aún no se ha estabilizado. Su frigorífico se pondrá en marcha transcurridos unos 6 minutos. Llame al servicio técnico si su frigorífico no se pone en marcha transcurrido ese periodo.
- El frigorífico se encuentra en el ciclo de descongelación. >>> *Esto es normal en un frigorífico con descongelación automática. El ciclo de descongelación se produce de forma periódica.*
- El frigorífico no está enchufado. >>> *Asegúrese de que el enchufe esté colocado en la toma.*
- La temperatura no se ha fijado correctamente. >>> *Selecciona un valor de temperatura adecuado.*
- Hay un corte del fluido eléctrico. >>> *El frigorífico vuelve a operar con normalidad una vez restablecida la alimentación eléctrica.*

El nivel de ruidos propios del funcionamiento se incrementa cuando el frigorífico está en marcha.

- El rendimiento del frigorífico puede cambiar en función de las variaciones en la temperatura ambiente. Esto es perfectamente normal, no es ninguna avería.

Solución de problemas

El frigorífico entra en funcionamiento con frecuencia o durante periodos prolongados.

- Puede que su nuevo frigorífico sea más grande que el que tenía anteriormente. Los frigoríficos de mayor tamaño funcionan durante periodos de tiempo más largos.
- Puede que la temperatura ambiente sea alta. >>> *Es normal que el frigorífico funcione durante periodos de tiempo más largos si hace calor.*
- Es posible que haya enchufado el frigorífico o bien lo haya cargado de alimentos recientemente. >>> *Cuando el frigorífico se ha enchufado o cargado con alimentos recientemente, le costará más alcanzar la temperatura fijada, cosa que es perfectamente normal.*
- Es posible que recientemente haya depositado grandes cantidades de alimentos en el frigorífico. >>> *No deposite alimentos calientes en el interior del frigorífico.*
- Las puertas se abren con frecuencia o se han dejado entreabiertas por un tiempo prolongado. >>> *El aire caliente que ha penetrado en el frigorífico hace que éste funcione durante más tiempo. No abra las puertas con frecuencia.*
- La puerta del compartimento frigorífico o congelador se ha dejado entreabierta. >>> *Compruebe que las puertas estén completamente cerradas.*
- El frigorífico está ajustado a una temperatura muy baja. >>> *Ajuste la temperatura del frigorífico a un valor más alto y espere a que se alcance dicha temperatura.*
- La junta de la puerta del compartimento frigorífico o congelador puede estar sucia, desgastada, rota o no asentada correctamente. >>> *Limpie o sustituya la junta. Una junta rota o dañada hace que el frigorífico funcione durante más tiempo con el fin de mantener la temperatura actual.*

La temperatura del congelador es muy baja, mientras que la del frigorífico es correcta.

- La temperatura del congelador está ajustada a un valor muy bajo. >>> *Ajuste la temperatura del congelador a un valor más elevado y compruebe.*

La temperatura del frigorífico es muy baja, mientras que la del congelador es correcta.

- La temperatura del frigorífico está ajustada a un valor muy bajo. >>> *Ajuste la temperatura del frigorífico a un valor más elevado y compruebe.*

Los alimentos depositados en los cajones del compartimento frigorífico se han congelado.

- La temperatura del frigorífico está ajustada a un valor muy alto. >>> *Ajuste la temperatura del frigorífico a un valor más bajo y compruebe.*

La temperatura del congelador o el frigorífico es muy alta.

- La temperatura del frigorífico está ajustada a un valor muy alto. >>> *El valor de la temperatura del compartimento frigorífico afecta a la temperatura del congelador. Cambie las temperaturas del frigorífico o el congelador y espere hasta que los compartimentos pertinentes alcancen una temperatura suficiente.*
- Las puertas se abren con frecuencia o se han dejado entreabiertas por un tiempo prolongado. >>> *No abra las puertas con frecuencia.*
- La puerta está entreabierta. >>> *Cierre la puerta del todo.*
- El frigorífico se ha enchufado o se ha cargado de alimentos recientemente. >>> *Esto es normal. Cuando el frigorífico se ha enchufado o se ha cargado con alimentos recientemente, le costará más alcanzar la temperatura fijada.*
- Es posible que recientemente haya depositado grandes cantidades de alimentos en el frigorífico. >>> *No deposite alimentos calientes en el interior del frigorífico.*

Vibraciones o ruidos.

- El suelo no está nivelado o no es estable. >>> *Si el frigorífico oscila al moverlo lentamente, equilibrelo ajustando los pies. Compruebe además que el suelo esté nivelado y que sea capaz de soportar el peso del frigorífico.*
- Los objetos colocados sobre el frigorífico pueden hacer ruido. >>> *Retire cualquier objeto de encima del frigorífico.*

Solución de problemas

Pueden oírse ruidos como si un líquido fluyera, se pulverizara, etc.

- Los líquidos y gases fluyen en función de los principios de funcionamiento del frigorífico. >>> *Esto es perfectamente normal, no es ninguna avería.*

El frigorífico emite silbidos.

- Se utilizan ventilador para enfriar el frigorífico. Esto es perfectamente normal, no es ninguna avería.

Condensación en las paredes interiores del frigorífico.

- El tiempo cálido y húmedo favorece la formación de hielo y la condensación. *Esto es perfectamente normal, no es ninguna avería.*
- Las puertas se abren con frecuencia o se han dejado entreabiertas por un tiempo prolongado. >>> *No abra las puertas con frecuencia. Círrrelas si están abiertas.*
- La puerta está entreabierta. >>> *Cierre la puerta del todo.*

Hay humedad en el exterior del frigorífico o entre las puertas.

- Puede haber humedad en el aire; es algo bastante normal en lugares húmedos. >>> *Cuando el grado de humedad descienda, la condensación desaparecerá.*

Mal olor en el interior del frigorífico.

- No se realiza una limpieza regular. >>> *Limpie el interior del frigorífico de forma regular con una esponja empapada en agua tibia o agua con gas.*
- Es posible que el olor provenga de algún recipiente o envoltorio. >>> *Utilice otro recipiente o materiales para envolver de una marca diferente.*
- Se almacenan en el frigorífico alimentos en recipientes no cubiertos. >>> *Conserve los alimentos en recipientes cerrados. Los microorganismos que proliferan en los envases no cubiertos pueden causar malos olores.*
- Retire del frigorífico los alimentos cuya fecha de caducidad haya vencido y estén en mal estado.

La puerta no cierra.

- Los paquetes de alimentos impiden que las puertas se cierren. >>> *Recoloque los paquetes que estén obstruyendo la puerta.*
- El frigorífico no se asienta completamente vertical sobre el suelo. >>> *Ajuste los pies para equilibrar el frigorífico.*
- El suelo no está nivelado o no es firme. >>> *Compruebe además que el suelo esté nivelado y que sea capaz de soportar el peso del frigorífico.*

Los cajones están atascados.

- Es posible que algún alimento toque el techo del cajón. >>> *Cambie la distribución de los alimentos en el cajón.*



ADVERTENCIA: Si las indicaciones de esta sección no le permiten solucionar el problema, póngase en contacto con su proveedor o bien con un servicio técnico autorizado. Si el aparato no funciona, no intente repararlo usted mismo.

