

DWS 55100 SERIES

8 Place settings
Top control screen



Main Features

- 4 programs
- 3 wash temperatures
- Brushless DC™ motor
- Condensing drying system
- 49 dBA wash noise level
- Program follow-up display
- Time delay up to 1-24 hrs.
- Auto tablet detergent function
- 1/2 load function
- ExtraRinse function
- Extra Drying function
- RapidClean function
- 3 way euro filtering system
- smartFIT™ front adjustable rear feet
- smartBALANCE™ front adjustable hinge system
- smartPIN™ joint handle system
- Interior highloop with air gap
- Power plug

Interior Design

- All stainless steel tank
- Three spray arms (lower, upper and ceiling)

Premium Rack Loading System

- FlexiRack™ loaded adjustable upper rack
- Upper and lower rack handle
- 4 adjustable mug shelves
- Sliding cutlery basket
- smartFold™ plate supports on lower rack

Color

- DW 55100 SS: Stainless steel
- DW 55100 FBI: Fully Integrated



FEATURES



8 Place Settings

Blomberg dishwashers can perfectly clean dishes upto 8 place settings without leaving any piece of cutlery out.



Digital Display

The electronic display is a quick and easy way to select your programs. Additionally, models with top control panel with numerical display offer a noise level adjustable “end of cycle audible signal”. Hidden control panel prevents your children from changing programs and playing with your dishwasher.



RapidClean

The dishwasher increases the washing temperature and adjust the water pressure to provide up to 2 times faster cleaning performance.



Double Motion Float System

All Blomberg dishwashers have a double motion float system (DMFS) that provides maximum security against water damage and a bottom tray to prevent flooding.



Auto Tablet

Sensors detects rinse aid and automatically sets drying cycle duration. This provides the best drying results without any concern.



Brushless DC™ Motor

Variable speed circulation motor allows to use optimum necessary amount of water and energy. Due to magnetic design the motor has no persistent low frequency sound, and creates less vibration.

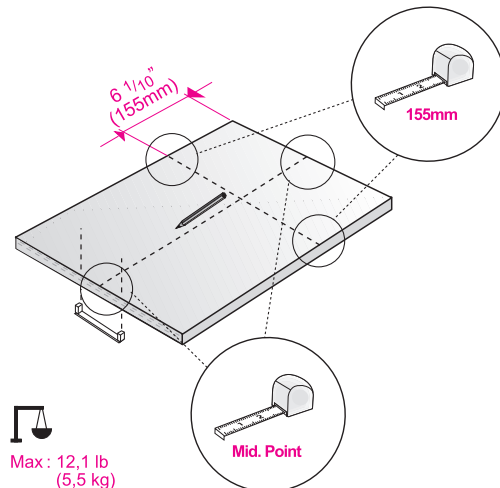
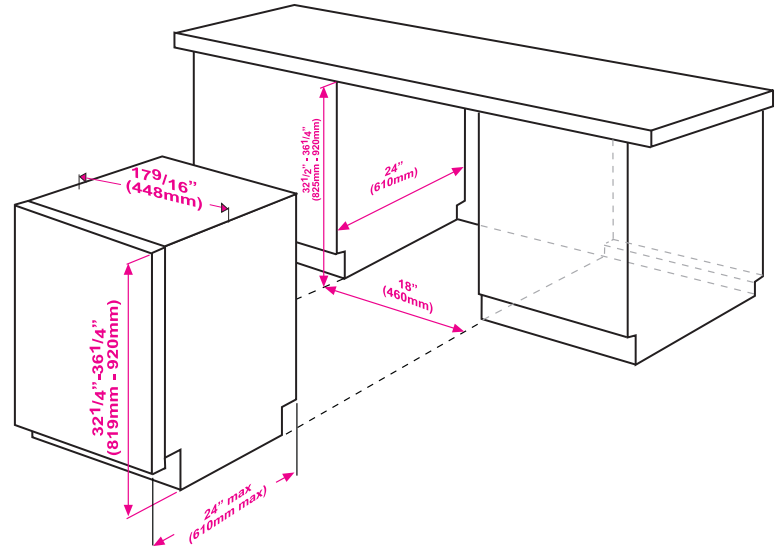
Blomberg®

seit 1883

DWS 55100 SERIES

8 Place settings Top control screen

CONTROLS		
Control Type	Electronic	
Position	Top	
MAIN FEATURES		
Loading Capacity (place settings)	8	
Tub material	Stainless Steel	
Inner door material	Stainless Steel	
Water Softener	-	
DMFS overflow protection	✓	
5 level wash with 3rd spray arm	✓	
Delay timer up to 1-24 hrs	✓	
3 way euro filter	✓	
Drying	Condensation	
Turbidity sensor	✓	
Silence level, dBA	49 dBA	
ProCare	✓	
Auto Tablet function	✓	
1/2 Load function	✓	
Sanitize function	-	
ExtraRinse function	✓	
Extra Drying	✓	
RapidClean function	✓	
SmartPIN™ joint	✓	
Interior high loop with airgap	-	
Power Plug	✓	
PROGRAMS		
Number of programs	5	
Pots and pans plus (167°F rinse temp)	✓	
Regular Wash (142°F-145°F rinse temp)	✓	
DailyWash	✓	
QuickWash (131°F rinse temp)	✓	
Rinse & Hold	✓	
DISPLAY		
Program sequence	✓ / Screen	
Rinse aid indicator	Electronic	
Rinse aid indicator display	✓	
Salt indicator display	-	
Light Indicator on Floor	-	
RACK SYSTEM		
smartFold™ lower rack folding tines	✓	
Lower rack embossed stainless handle	-	
Cutlery basket	Standard	
Upper rack (inset shelves)	4	
smartFold™, upper rack folding tines	-	
FlexiRack™, adjustable upper rack	Loaded	
Nylon coated racks	✓	
DIMENSIONS		
Packed (HxWxD)	in	34 3/8x19 3/16x26
	cm	85.9x49.4x66.1
Packed Weight	(lb/kg)	81/37
Unpacked (HxWxD)	in	32 1/4x17 3/4x22 2/5
	cm	81.8x45x57
Unpacked Weight	(lb/kg)	75/34
ENVIRONMENTAL STANDARDS		
Energy Star qualified	✓	
Energy consumption, kWh/year	220	
Water consumption, gal/cycle	2.54 - 4.07	
RoHS* compliant	✓	



* Lead-free