

BERU 30420 SS



Fridge

- 5.7 cu-ft. extra large oven capacity with large window
- Slide in sleek design with slim back splash design
- Self clean oven with convection fan

- 12" XL cooking zone with reduced boiling time
- Sabbath mode
- Storage drawer

GENERAL PROPERTIES

Cooking modes	Bake, Roast, Broil (high & low), Convection Bake, Convection Roast, Warm Keeping, Slow Cook, Pizza Cooking, Proof, Defrost
Cleaning type	3 Level Self Clean
Type of grate	Metal
Knob material	Storage drawer
Drawer type	Dual

FEATURES



XL Cooking volume – 5.7 cuft

Large capacity oven allows you to cook multiple dishes at once. The large interior can easily accommodate a big roast, multiple casserole dishes or several racks of cookies..



Convection Oven with Boost Function

Convection cooking with boost function ensures even and fast baking. Main Benefit: Fast and even baking, the oven can reach 350 F in 5.5 minutes. LG review (5.4 cu. ft. oven cavity) can reach in 6 minutes.



12" XL Cooking zone

Boil liquids faster in any size pan with the 12" XL Cooking Zone. Main Benefit: Faster boiling

BERU 30420 SS

OVEN PERFORMANCE

Bake / broil burner power BTU/h (NG/LPG)	2400/3500
---------------------------------------------	-----------

ELEMENT PERFORMANCE

Total number of cooktop burners	4
Total cooktop (NG / LP) BTU/h	8" 2200W
Power of front left burner (NG / LP) BTU/h	8" 2200W
Power of back left burner (NG / LP) BTU/h	-
Power of center burner (NG / LP) BTU/h	6" 1200W
Power of back right burner (NG / LP) BTU/h	9"12" 1800/3000W
Power of front right burner (NG / LP) BTU/h	20.000/16.500

ELEMENT SIZE

Dimension of back left heating element	8"
Dimension of front left heating element	8"
Dimension of center heating element	-
Dimension of back right heating element	6"
Dimension of front right heating element	9"12"

TECHNICAL DETAILS

Watts (W)	12.360
Circuit breaker (A)	40
Volts (V)	220-240
Frequency (Hz)	60
Plug type	NO PLUG FOR USA MARKET
Cord length (in.)	NO CORD FOR USA MARKET
Energy source	ELECTRIC

DIMENSIONS & WEIGHT

Overall appliance dimensions (HxWxD)(in.)	45.3" X 32.7" X 30.4"
Required cutout size (HxWxD) (in.)	36" X 30" X 27"
Adjustable range height (in.)	36.6" X 29.8" X 26.7"
Overall oven interior dimensions (HxWxD)(in.)	36" X 29.8" X 26.7"
Usable oven interior dimensions (HxWxD)(in.)	17.2" X 24.3" X 19"
Net weight (lbs)	352 lbs

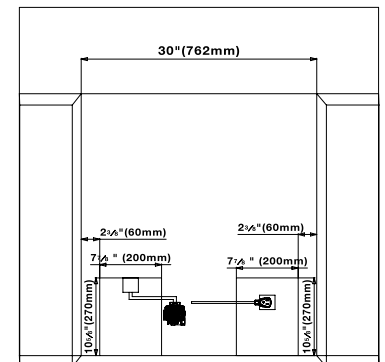
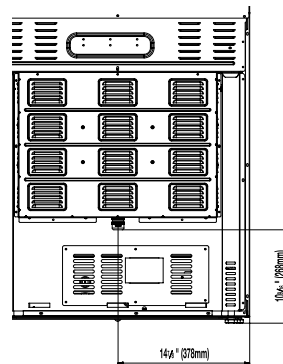
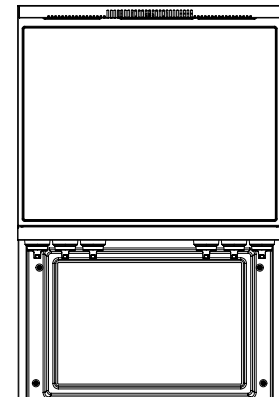
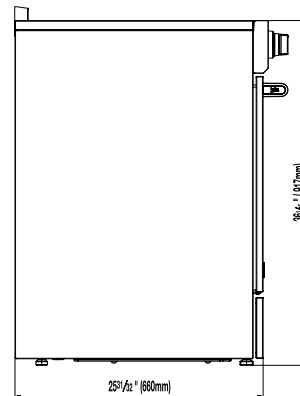
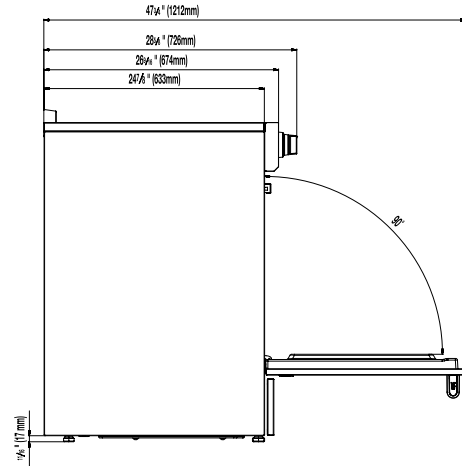
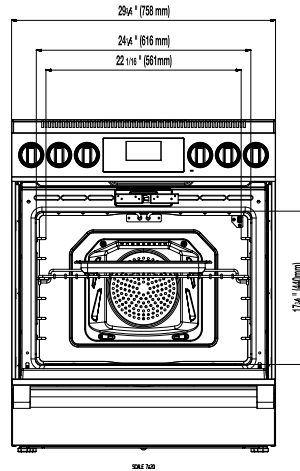
ACCESSORIES

Use and care manual	Yes
Installation Guide,	Yes
Meat Probe	No
Standard wire racks	3
Broiler Pan	1
Telescopic rack	1 level full extension
Island Trim	Yes
LP conversion kit,	Yes
Wok adaptor	Yes

ACCESSORIES (OPTIONAL)

Giddle	Optional
--------	----------

* Lead-free



Blomberg®

seit 1883