

# WM 77120 NBL01



## KEY FEATURES & BENEFITS

- Superwash function removes heavy soils with ease
- Energy Star®
- Baby Sanitize cycle for baby clothes and clothes worn by allergic people
- Internal heater provides extra sanitation for garments
- Anti wrinkle option

### GENERAL PROPERTIES

Capacity	cu ft.	1,95
Washing load capacity	kg	7
	lb	15,5
Style	Front-loading	
Variable spin speed	Extra high (1200 rpm), high, med, low, off	
Automatic temperature control	Extra hot, hot, warm, cold, tap cold	
Control	Digital display w/ rotary knob	
Delay time	0-24h	
Remaining time indicator	✓	
Silence level (washing)	dBA	59
Silence level (spinning)	dBA	75
Drum material	Stainless steel	
Dispenser	"Detergent (liquid/ powder) Fabric softener	

### CYCLES

Number of wash cycles	12	
Normal / Regular cotton	✓	
Permanent press	✓	
Hand wash	✓	
Quick wash 35'	-	
Delicates	✓	
Wool	✓	
Drain & spin	✓	
Bedding	-	
Jogging wear	✓	
Jeans	✓	
Pet hair cleansing	-	
Tub sanitize	-	
Super quick 20'	-	
Baby sanitize	✓	
Rinse	✓	

### CONVENIENCE FEATURES

Heavy Soil	-
Super Wash	-
Soak	✓
Extra Rinse	✓
Anti Wrinkle	-
Child lock	✓
Automatic water adjustment system	✓
Automatic detergent dispensing system	✓
Unbalance detection system	✓
Euro wash system with internal water heater	✓
Optima™ Inverter Technology	-
Program follower	✓
Adjustable leveling legs	4

### MATERIALS AND FINISHES

Cabinet	White
Door rim	White
Cycle selector knob	Silver

### DIMENSIONS

Product dimensions (HxWxD)	in	33 1/8 x 23 5/8 x 24 3/8
	cm	84 x 60 x 55
Packed dimensions (HxWxD)	in	34 5/8 x 25 5/8 x 26
	cm	89x66.5x62
Product weight	kg	73
	lbs	161
Packed weight	kg	76
	lbs	168

### TECHNICAL FEATURES

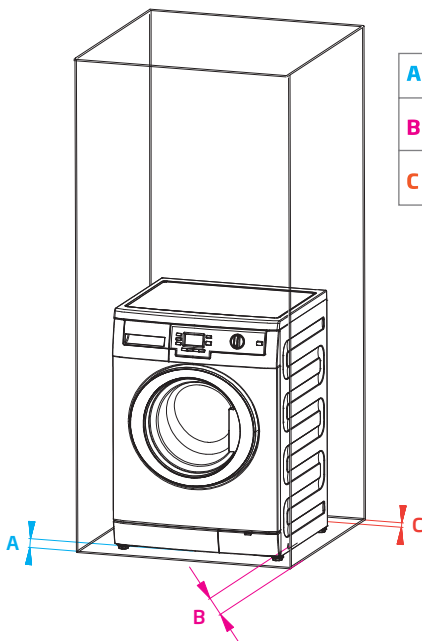
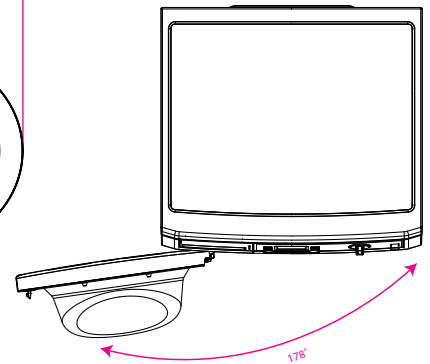
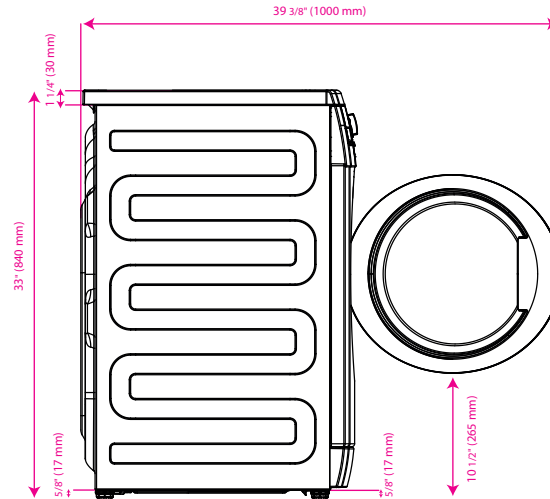
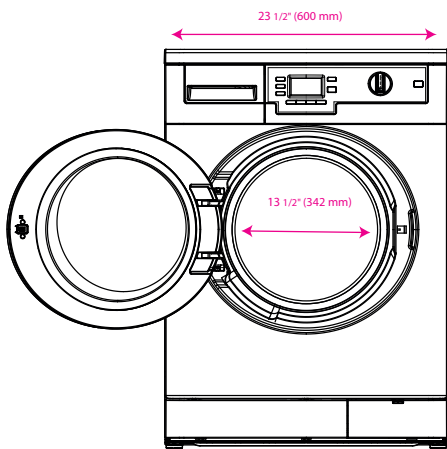
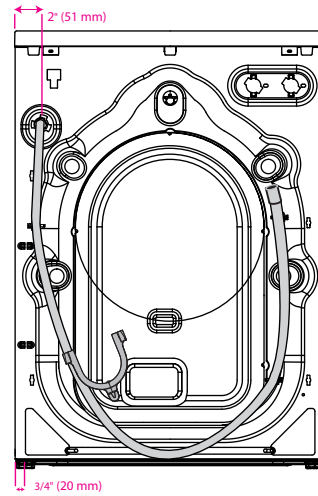
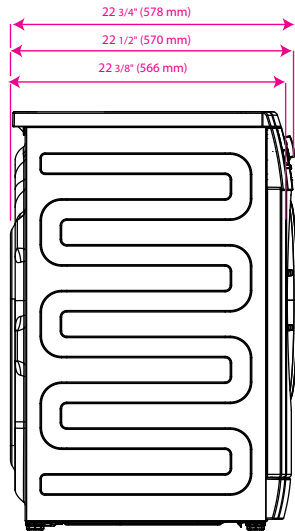
Voltage / Frequency	208-240V / 60Hz
Rated current amps	15

### STANDARDS

Energy Star® qualified	✓
Energy consumption, kWh/year	67
UL listed	✓
RoHS* compliant	✓



# WM 77120 NBL01



<b>A</b> Top	1/2 in. (13 mm)
<b>B</b> Both sides	1/2 in. (13 mm)
<b>C</b> Rear	1/2 in. (13 mm)

<b>A</b> Top	1"	26 mm
<b>B</b> Both sides	1/2"	13 mm
<b>C</b> Counter depth	24 3/8"	620 mm

