

Built-in Oven

BWOS 30100

Use & Care Manual
Manuel d'utilisation et d'entretien
Manual de uso & Mantenimiento

Blomberg

Table of Contents

	Page		Page
Safety Precautions	3	Convection Roast Tips and Techniques	18
Safety Instructions	4	<i>Convection Roast Chart</i>	<i>18</i>
<i>Safety for the Oven</i>	4	Convection Broil Tips and Techniques	19
<i>Safety for the Self-Cleaning Oven</i>	4	<i>Convection Broil Chart</i>	<i>19</i>
Cooking with Convection Oven	5	Dehydrate Tips and Techniques	20
<i>Advantages of Convection Cooking</i>	5	<i>Dehydrate Chart</i>	<i>20</i>
Features of Your Oven	6	Broil Tips and Techniques	21
The Control Panels	7	<i>Broil Chart</i>	<i>21</i>
<i>Command Key</i>	7	Food Service Temperature Guidelines from FSIS	21
<i>Display</i>	7	Special Features	22
<i>Knobs</i>	7	Sabbath Mode Instructions	23
Oven Modes	8	Oven Care and Cleaning	24
General Oven Information	9	<i>Self-Cleaning the Oven</i>	<i>24</i>
General Oven Tips	10	<i>Preparing the Oven for Self-Cleaning</i>	<i>24</i>
Setting the Clock and Timer	12	Setting the Self-Cleaning Mode	25
<i>To Set the Clock</i>	12	<i>To Set the Self-Cleaning Mode</i>	<i>25</i>
<i>To Set the Timer</i>	12	<i>To Change the Cleaning Time</i>	<i>25</i>
Selecting the Oven Mode	13	<i>To Delay the Start of Cleaning</i>	<i>25</i>
<i>To Set the Cooking Mode and the Temperature</i>	13	General Oven Care	26
<i>Using Oven Light</i>	13	<i>How to Use the Oven Cleaning Chart</i>	<i>26</i>
Time Oven Mode Operation	14	<i>Cleaning Chart</i>	<i>26</i>
<i>To Set Timed Mode</i>	14	Oven Finishes / Cleaning Methods	27
<i>To Delay the Start of a Timed Mode</i>	14	Oven Door Removal	28
Bake Tips and Techniques	15	Replace an Oven Light	29
<i>Bake Cook Chart</i>	15	<i>To Replace a Light Bulb</i>	<i>29</i>
Convection Bake Tips and Techniques	16	Solving Baking Problems	30
<i>Convection Bake Chart</i>	17	Solving Operational Problems	31
		BLOMBERG WARRANTY for Home Appliances	32

**IMPORTANT****General Appliance and Oven
Safety Precautions****Please read all instructions before using this appliance.****WARNING**

When properly cared for, your new oven has been designed to be a safe, reliable appliance. **Read all instructions carefully before using this oven. These precautions will reduce the risk of burns, electric shock, fire, and injury to persons. When using kitchen appliances, basic safety precautions must be followed, including the following:**

- Do not allow children to use this appliance unless closely supervised by an adult. Children and pets should not be left alone or unattended in the area where the appliance is in use. Never allow children to sit or stand on any part of the oven.
- CAUTION**

 - Do not store items of interest to children above the oven. If children should climb onto the appliance to reach these items, they could be seriously injured.
- This appliance must be properly installed and grounded by a qualified technician. Connect only to properly grounded outlet. See "Grounding Instructions" found in the Installation Instructions.
- This appliance should be serviced only by a qualified service technician. Contact the nearest authorized service center for examination, repair or adjustment.
 - Do not repair or replace any part of the oven unless specifically recommended. Refer service to an authorized servicer.
 - Do not operate this appliance if it is not working properly or if it has been damaged, until an authorized servicer has examined it.
 - Install or locate this appliance only in accordance with the Installation Instructions.
 - Use this oven only as intended by the manufacturer. If you have any questions, contact the manufacturer.
 - Do not cover or block any openings on this appliance.
 - Use this appliance only for its intended use as described in this manual. Do not use corrosive chemicals, vapors, or nonfood products in this appliance. This type of oven is specifically designed to heat or cook. It is not designed for industrial or laboratory use. The use of corrosive chemicals in heating or cleaning will damage the appliance.
 - In the event that personal clothing or hair catches fire, DROP AND ROLL IMMEDIATELY to extinguish flames.
- To reduce the risk of fire in the oven cavity:
1. Do not store flammable materials in or near the oven.
 2. Do not use water on a grease fire. Smother fire or use a dry chemical or foam-type extinguisher.
 3. It is highly recommended that a fire extinguisher be readily available and highly visible next to any cooking appliance.
 4. Do not overcook food. Carefully attend oven if paper, plastic or other combustible materials are placed inside the oven.
 5. Do not use the cavity for storage purposes. Do not leave paper products, cooking utensils or food in the cavity when not being used.
 6. If materials inside the oven should ignite, keep oven door closed. Turn oven off and disconnect the circuit at the circuit breaker box.
 7. Do not block any vent openings.
 8. Be sure the blower fan runs whenever the oven is in operation. If the fan does not operate, do not use the oven. Call an authorized service center.
 9. Never use the oven to warm or heat a room. This can damage the oven parts.
 10. For personal safety, wear proper clothing. Loose fitting or garments with hanging sleeves should never be worn while using this appliance.

 **IMPORTANT**
*General Appliance and Oven
 Safety Instructions*

Safety for the Oven

- Tie long hair so that it doesn't hang loose.
- Do not touch heating elements or interior surfaces of oven.
- The heating elements may be hot even though they are dark in color. Interior surfaces of an oven become hot enough to cause burns.
- During and after use, do not touch or let clothing or other flammable materials contact the heating elements or the interior surfaces of the oven until they have had sufficient time to cool.
- The trim on the top and sides of the oven door may become hot enough to cause burns.
- Use care when opening the door. Open the door slightly to let hot air or steam escape before removing or replacing food.
- Do not heat unopened food containers. Build-up of pressure may cause the container to burst and cause injury.
- Always place oven racks in desired location while oven is cool. If a rack must be moved while oven is hot, do not let pot holder contact the hot heating elements.
- Use only dry pot holders. Moist or damp pot holders on hot surfaces may result in burns from steam. Do not let pot holder touch hot heating elements. Do not use a towel or other bulky cloth.

Safety for the Self-Cleaning Oven

- Confirm that the door locks and will not open once both selectors are in CLEAN position and the door lock icon appears. If the door does not lock, turn the cook mode selector to OFF and do not run Self-Clean. Phone for Service.
- Do not clean the door gasket. It is essential for a good seal. Care should be taken not to rub, damage, move or remove the door gasket.
- Do not use commercial oven cleaners or oven liner protective coatings of any kind in or around any part of the oven.
- Clean only oven parts listed in this manual.
- Before self-cleaning the oven, remove the broiler pan, oven racks, other utensils and excess soft spillage.

 **WARNING**

The California Safe Drinking Water and Toxic Enforcement Act requires businesses to warn customers of potential exposure to substances which are known by the State of California to cause cancer or reproductive harm.

The elimination of soil during self-cleaning generates some by-products which are on this list of substances.

To minimize exposure to these substances, always operate this oven according to the instructions in this manual and provide good ventilation to the room during and immediately after self-cleaning the oven.

Cooking with the Convection Oven

In a conventional oven, the heat source cycles on and off to maintain an average temperature in the oven cavity. As the temperature gradually rises and falls, gentle air currents are produced within the oven. This natural convection tends to be inefficient because the currents are irregular and slow. In this convection system, the heat is “conveyed” by a fan that provides continuous circulation of the hot air.

This European Convection system provides state-of-the-art engineering and advanced design to create the finest convection oven. In standard convection ovens, a fan simply circulates the hot air around the food. The system is characterized by the combination of an additional heating element located around the convection fan and the venting panel that distributes heated air in three dimensions: along the sides, the top and the full depth of the oven cavity. This European Convection system aids in maintaining a more even oven temperature throughout the oven cavity.

The circulating air aids in speeding up the baking process and cooks the food more evenly. By controlling the movement of heated air, convection cooking produces evenly browned foods that are crispy on the outside yet moist inside. Convection cooking works best for breads and pastries as well as meats and poultry. Air-leavened foods like angel food cakes, soufflés and cream puffs rise higher than in a conventional oven. Meats stay juicy and tender while the outside is flavourful and crisp.

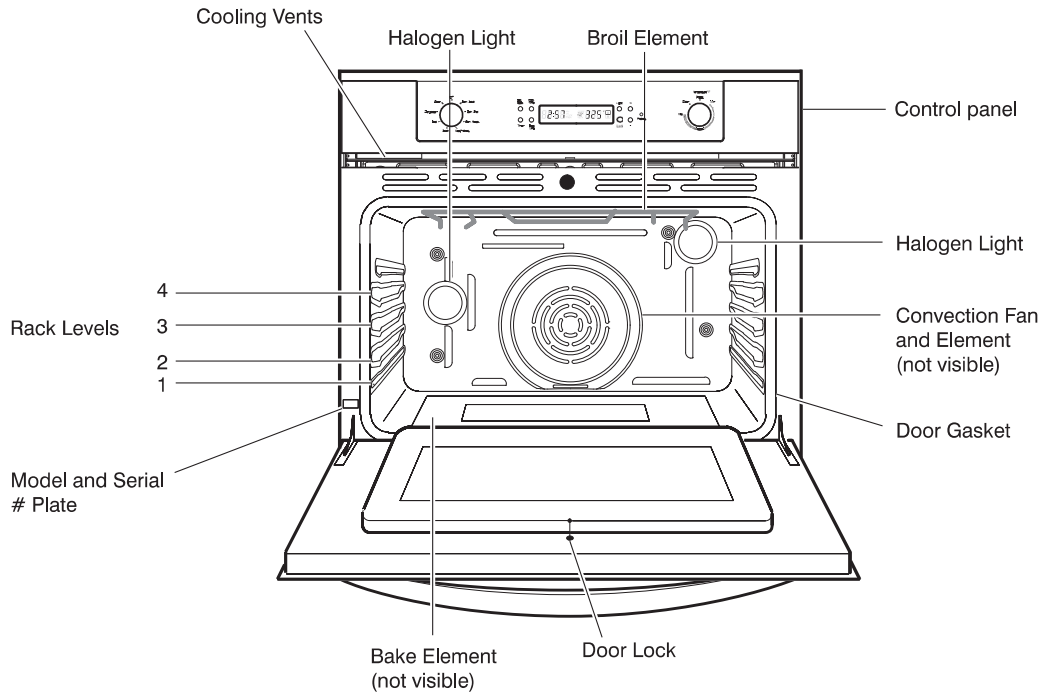
By using European Convection, foods can be cooked at a lower temperature and cooking times can be shorter. When using this mode, the standard oven temperature should be lowered by 25°F (15°C).

Foods requiring less cooking time should be checked slightly earlier than normal. For best results, foods should be cooked uncovered, in low-sided pans to take advantage of the forced air circulation. When using the Convection Roast mode, the standard oven temperature does not need to be reduced.

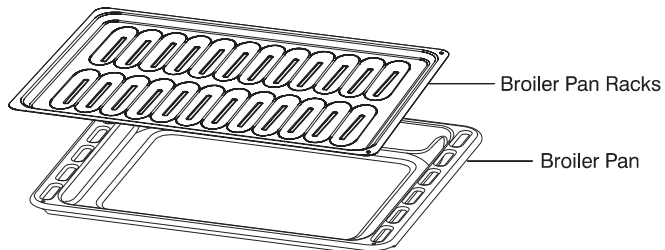
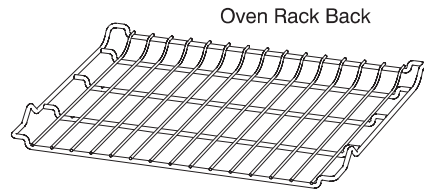
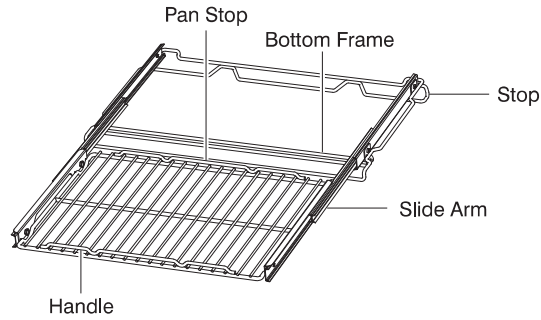
Advantages of Convection Cooking

- Even baking, browning and crisping are achieved.
- During roasting, juices and flavors are sealed in while the exterior is crisp.
- Yeast breads are lighter, more evenly textured, more golden and crustier.
- Air-leavened foods such as cream puffs, soufflés and meringues are higher and lighter.
- Baking on multiple racks at the same time is possible with even results.
- Multiple-rack baking saves time.
- Prepare whole meals at once with no flavor transfer.
- Dehydrates herbs, fruits and vegetables.
- Requires no specialized bake ware.
- Saves time and energy.
- Convection broiling allows for extraordinary grilling with thicker cuts of food.

Features of your Oven

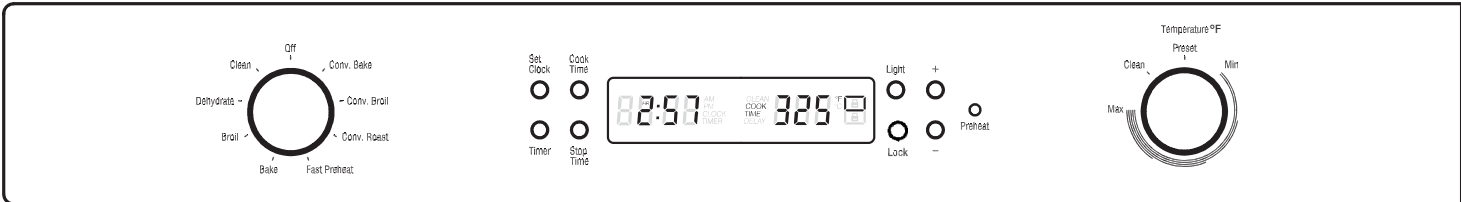


Extendable Rack (IF PRESENT)



The Control Panels

The user interface has the following features: display, preheat light indicators, keys for commands, cooking mode and temperature selectors.



Command Keys

[SET CLOCK or CLOCK]: press it to set or change the time of day.

[TIMER]: press it to set or clear the minute minder.

[COOK TIME or COOK]: press this key to set or change the duration of a cooking activity.

[STOP TIME or STOP]: press to set or change the stop time in a timed or delayed cooking.
-Whenever one of the former keys has been pressed and the time digits are blinking, press and/or hold the following keys to change the values.

[LIGHT]: Press it to switch the oven lights status.

[LOCK] (single oven): hold it together with [+] to operate safety lock.

[INCREMENT] [+]: press to increase the value of the currently selected variable.

[DECREMENT] [-]: press to decrease the value of the currently selected variable.

Display

Preheat light (external).

Four time digits (green), for time of day, minute minder, automatic cooking. AM/PM indication is also present.

Three temperature digits (red), for oven temperature. Degree unit (°C or °F) indication is present. It shows the temperature set-point for the current cooking mode, in the selected cavity.

Box and lock icons to show which cavity is currently selected and which door, if any, is fully locked, while running in clean or cooling down after a clean.

Writings to indicate which function is active (steady) or waiting for a user input (blink).

Knobs

Cooking mode selector (convection). Eight cooking modes + OFF position.

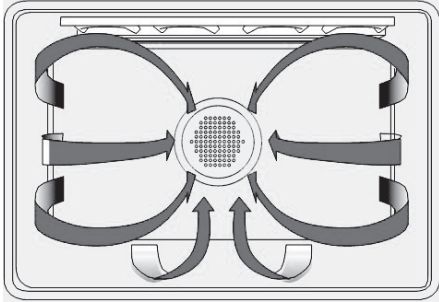
Cooking mode selector (thermal). Three cooking modes + OFF position.

Temperature selector. PRESET and CLEAN positions + continuous range between MIN and MAX values.



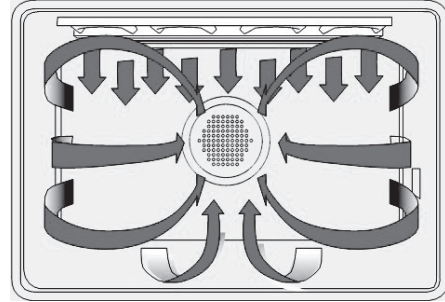
Oven Modes

The following illustrations give an overview of what happens in the oven with each mode setting. The arrows represent the location of the heat source during specific modes. The lower element is concealed under the oven floor.



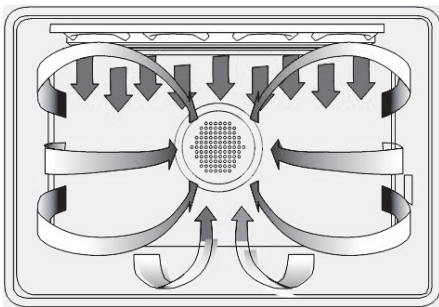
Convection Bake and Dehydrate

Convection Bake cooks with heat from a third element behind the back wall of the oven. The heat is circulated throughout the oven by the convection fan. Dehydrating is similar to convection cooking and holds an optimum low temperature while circulating the heated air to remove moisture slowly for food preservation.



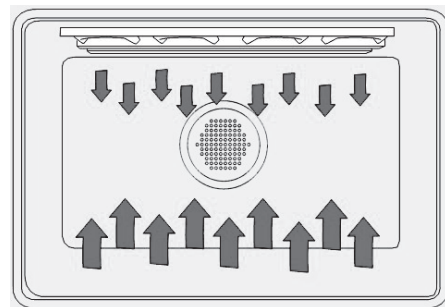
Fast Preheat

Fast Preheat uses the ring element and the additional element to heat rapidly the cavity. When the preheat tone is sounded and the red light turns off, select the desired cooking mode.



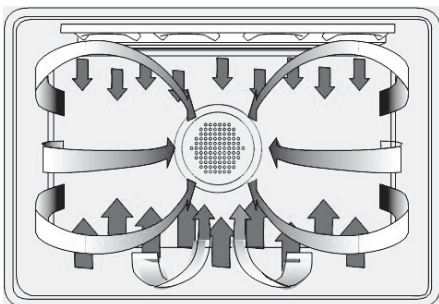
Convection Broil

Convection Broil combines the intense heat from the upper element with the heat circulated by the convection fan.



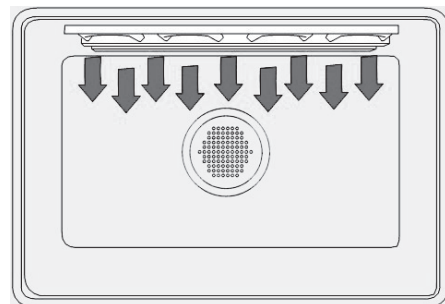
Bake

Is cooking with heated air. Both the upper and lower element cycle to maintain the oven temperature.



Convection Roast

Convection Roast uses the top element, bottom element and convection fan.



Broil

Broiling uses intense heat radiated from the upper element.

General Oven Information

Before using your oven for the first time remove all packing and foreign materials from the oven(s). Any material of this sort left in the oven(s) may melt and/ or burn when the oven(s) is(are) used.

Flashing Symbols or Numbers

Signals an incomplete setting and calls for another input.

Beeps

Signals that more information must be entered or confirms the receipt of an entry. Beeps also signal the end of a function or an oven fault.

Fast Preheat

Whenever the oven must heat rapidly, turn the cooking mode selector to fast preheat position. As soon as the preheat tone is sounded and the red light turns off, select the desired cooking mode and put food inside.

Lock Symbol

It's displayed when the door is locked, during the Self-Clean mode or following cooling down. The symbol flashes when the latch is moving to lock or unlock the door. Do not attempt to open the door. Door can be opened when the symbol no longer appears.

Safety door lock

The door latch mechanism is not used only to lock the door in self-clean but also to lock the door manually for safety reasons (to prevent children from touching hot parts) during ordinary cooking activities.

Single oven: hold both the INC (+) and LOCK keys for 3 seconds. The latch will lock the door. Repeat the same operation to unlock.

Power Failure

After the power returns to the oven, the clock displays the time 12.00^{AM}.

Default Settings

The cooking modes automatically select a suitable temperature when the selector is in the preset position. These can be changed when a different one is needed.

F Failure Number Codes

These codes are displayed when the electronic control detects a problem in the oven or in the electronics.

Convection Fan

The convection fan operates during any convection mode. When the oven is operating in the convection mode, the fan will turn off automatically when the door is opened. The convection fan will run during the preheat time

Component Cooling Fan

Activates during any cooking or self-cleaning mode to cool inner components and outer door surfaces. This air is exhausted through the vent located above the oven door. It continues to run until components have cooled sufficiently. The cooling fan speed is high in self-clean and whenever the internal components temperature becomes high.

General Oven Tips

Preheating the Oven

- Preheat the oven when using the Bake, Convection Bake and Convection Roast modes.
- Use fast preheat mode when a short time is requested to preheat the oven.
- Selecting a higher temperature does not shorten the preheat time.
- Preheating is necessary for good results when baking cakes, cookies, pastry and breads.
- Preheating will help to sear roasts and seal in meat juices.
- Place oven racks in their proper position before preheating.
- During preheat, the selected cooking temperature is always displayed.
- A beep will confirm that the oven is preheated and the preheat light will turn off.
- Fast Preheat can be used when time is crucial.

Operational Suggestions

- Use the cooking charts as a guide.
- Do not set pans on the open oven door.
- Use the interior oven light to view the food through the oven door window rather than opening the door frequently.

Utensils

- Glass baking dishes absorb heat. Reduce oven temperature 25°F (15°C) when baking in glass.
- Use pans that give the desired browning. The type of finish on the pan will help determine the amount of browning that will occur.
- Shiny, smooth metal or light non-stick / anodized pans reflect heat, resulting in lighter, more delicate browning. Cakes and cookies require this type of utensil.

Oven Racks

- The oven has rack guides at four levels as shown in the illustration on Page 6.
- Rack positions are numbered from the bottom rack guide (#1) to the top (#4).
- Check cooking charts for best rack positions to use when cooking.
- Each level guide consists of paired supports formed in the walls on each side of the oven cavity.
- Always be sure to position the oven racks before turning on the oven. Make sure that the racks are level once they are in position.

Please refer to illustration on Page 6 if there is any question as to which side is the front of the rack.

- The racks are designed to stop when pulled forward to their limit.

- Dark, rough or dull pans will absorb heat resulting in a browner, crisper crust. Use this type for pies.
- For brown, crisp crusts, use dark non-stick / anodized or dark, dull metal utensils or glass bake ware. Insulated baking pans may increase the length of cooking time.
- Do not cook with the empty broiler pan in the oven, as this could change cooking performance. Store the broil pan outside of the oven.

Oven Condensation and Temperature

- It is normal for a certain amount of moisture to evaporate from the food during any cooking process. The amount depends on the moisture content of the food. The moisture may condense on any surface cooler than the inside of the oven, such as the control panel.
- Your new oven has an electronic temperature sensor that accurately maintains the temperature selected. Your previous oven may have had a mechanical thermostat that drifted gradually over time to a higher temperature. It is normal that you may need to adjust your favourite recipes when cooking in a new oven.

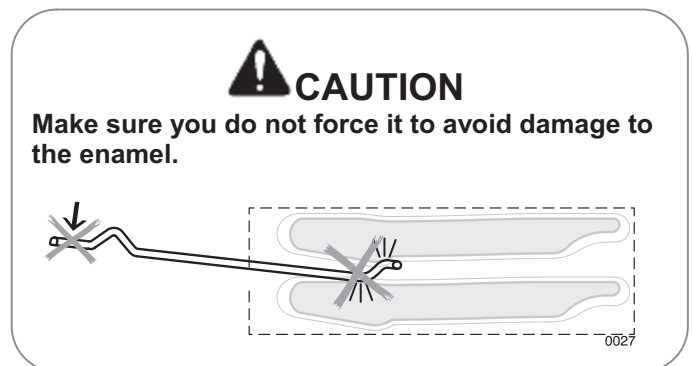
High Altitude Baking

- When cooking at high altitude, recipes and cooking time will vary from the standard.

120/240 vs. 120/208 Volt Connection

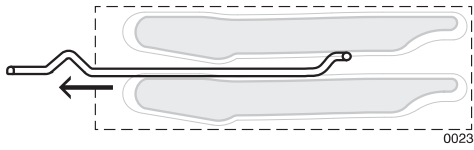
- Most oven installations will have a 120/240 voltage connection.
- If your oven is installed with 120/208 voltage, the preheat time may be slightly longer than with 120/240 voltage.
- The oven is designed to assure the same clean time at 208V.

CAUTION! Never use aluminum foil to cover the oven racks or to line the oven. It can cause damage to the oven liner if heat is trapped under the foil.

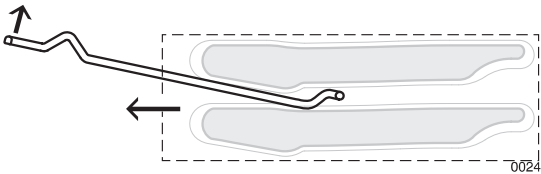


To remove oven rack from the oven:

1. Pull rack forward

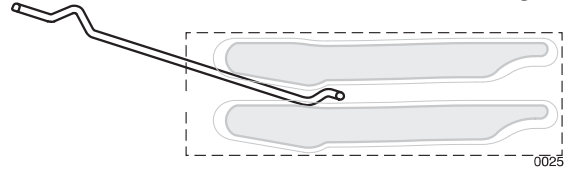


2. Lift rack up at front and then remove it

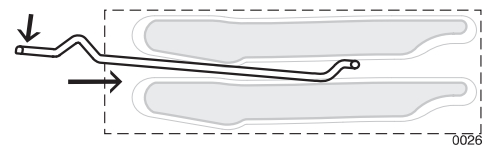


To replace an oven rack:

1. Place rear of rack between rack level guides



2. While lifting front of rack, slide rack in all the way while lowering the front



Oven Extendable Racks

- The extendable rack allows for easier access to cooking foods. It extends beyond the standard flat rack bringing the food closer to the user.



CAUTION

When the rack is outside of the oven, slide arms do not lock. They could unexpectedly extend if the rack is carried incorrectly. **Extending slide arms could cause injury. Rack should only be held or carried by grasping the sides.**

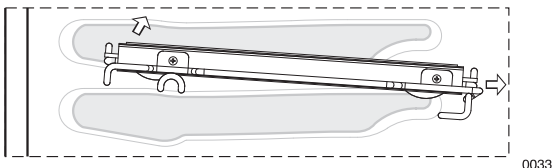
NOTE: Always remove the extendable rack before self-cleaning the oven.

CAUTION! To avoid burns, pull rack all the way out and lift pan above handle when transferring food to and from oven.

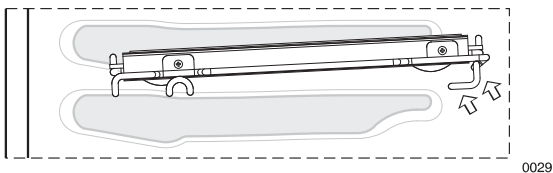
Please refer to illustration on Page 6 if there is any question as to which side is the front of the rack.

To remove extendable rack from the oven:

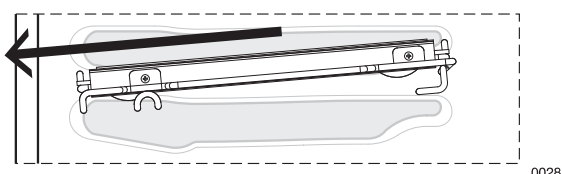
1. Lift of rack slightly and push it until the stop release



2. Raise back of rack until frame and stop clear rack guide

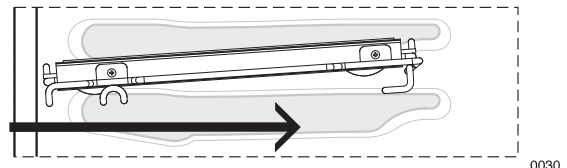


3. Pull rack down and out

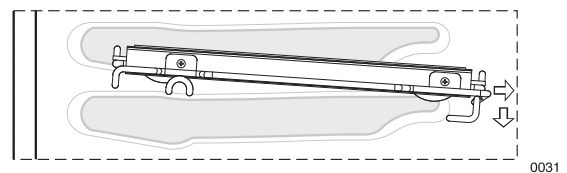


To replace an extendable rack:

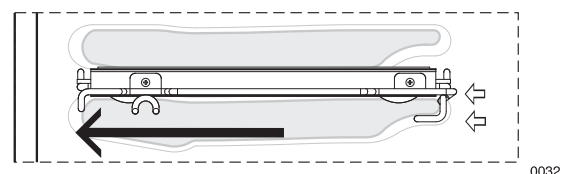
1. Grasp rack firmly on both sides. Place rack (including frame) above desired rack guide



2. Push all the way in until the back of the rack drops into place



3. Pull both sections forward until stops activates. Rack should be straight and flat, not crooked



Setting the Clock and Timer

The time of day is displayed in hours and minutes.

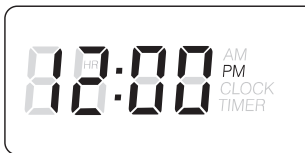
Always set the clock immediately after installation or after a power failure. Once power returns to the oven, the clock displays the time 12:00^{AM}.

The clock time will appear during all oven operations except when the timer or a timed cooking operation is running.

The oven is preset to a 12-hour clock and indicates AM and PM.

To Set the Clock

1. Press [SET CLOCK]. The hours will begin flashing and the display will show the CLOCK writing.
2. Press [+] or [-] to set the desired hour. Continue until correct AM or PM is selected.
3. Press [SET CLOCK] again to confirm the hour and minutes will start flashing.
4. Press [+] or [-] to set the desired minutes value, hold the key to change by 10 minute steps.
5. Press [SET CLOCK] again to confirm the time or wait for 5 seconds.



The following appears when edit mode is active to set or change the value.



To Set the Timer

1. Press [TIMER]. The timer and TIMER writing will appear on the display.
2. Press [TIMER] again. The hours value will start flashing.
3. Press [+] or [-] to set the desired hour.
4. Press [TIMER] again to confirm the hour and minutes will start flashing.
5. Press [+] or [-] to set the desired minutes value, hold the key to change by 10 minute steps.
6. Press [TIMER] again to confirm the value or wait for 5 seconds.
7. TIMER will be steadily displayed.
8. When the time ends, reminder beeps will sound for 15 minutes or until the key is pressed.
9. Timer format is usually HR:MIN but it switches to MIN:SEC during the last minute.
10. The displayed value is always rounded to the lower minute.



Selecting the Oven Mode

To Set a Cooking Mode and Temperature

- The following modes can be selected by moving the cooking mode knob to the desired position. To select Clean, the temperature knob must also be moved into the appropriate Clean position.

OFF
CONVECTION BAKE
CONVECTION BROIL
CONVECTION ROAST
FAST PREHEAT
BAKE
BROIL
DEHYDRATE
CLEAN

- Select the desired temperature moving the selector or leave it in the PRESET position if the proposed value is fine. The temperature can be changed by 5°F or 5°C steps.
- As soon as one of the knobs is moved, the control switches automatically to display the value in the correspondent cavity. The corresponding box will be displayed.
- Cavity will begin to heat and oven light will turn on.
- Preheat light will turn on. When the oven has preheated, it will beep and switch the red light off.
- To change the temperature while cooking, simply turn the temperature knob until the display shows the desired value.
- Move the cooking mode selector to OFF if you intend to stop cooking.

Using Oven Lights

- A single light key activates the lights in either oven.
- If LIGHT key is touched when both ovens are off, lights in both the upper and lower oven will turn on. Touch LIGHT key again, and both oven lights will turn off.
- Oven lights turn on and off automatically when the door is opened and closed.
- When an oven is in use, oven lights turn on automatically when a mode is started. Oven lights will turn off automatically when the oven mode is cancelled.
- The lights do not operate in the Self-Clean mode.



Time Oven Mode Operation

To Delay the Start of a Timed Mode

- Be sure that the time-of-day clock is displaying the correct time.
- The timed mode turns off the oven at the end of the cook time.

Follow steps 1 through 9 above.

- Press [STOP TIME] key. DELAY will appear in the display, beside the stop time and the hour digits will begin flashing.
- Press [+] or [-] to change the hours.
- Press [STOP TIME] again, the hours will be confirmed and the minutes digits will begin flashing.
- Press [+] or [-] to change the minutes. Hold the key to change by 10 minutes steps.
- Press [STOP TIME] once again or wait for a few seconds to confirm the whole stop time value.
- The clock automatically calculates the time of day at which the mode starts and stops. The displayed cooking time counts down by the minute. The oven turns on and heats to the set temperature, for the selected number of hours and minutes.
- At the end of the programmed cooking time, the oven will automatically turn off. Display will show **End** and the oven will beep. Reminder beeps will sound for up to fifteen minutes until any key is touched.
- Whenever it's necessary to check a time value that is not displayed, press the corresponding key to view the desired value for 5 seconds.
- Example: if the timer value is displayed, press cook time key to view the cook time for 5 seconds.
- Timer value is displayed when both timer and cook time are running.

To Set Timed Mode

1. Select the cooking mode and the temperature by means of the knobs.
2. If necessary, change the default temperature at this time by turning the knob.
3. Press [COOK TIME] key. The COOK and the TIME writings will appear in the display beside the cook time and the hour digits will begin flashing.
4. Press [+] or [-] to change the hours. Keep in mind that the time required for the oven to reach the temperature must be included in the set cooking time.
5. Press [COOK TIME] again, the hours will be confirmed and the minutes digits will begin flashing.
6. Press [+] or [-] to change the minutes. Hold the key to change by 10 minutes steps.
7. Press [COOK TIME] once again or wait for a few seconds to confirm the whole cook time value.
8. At the end of the programmed cooking time, the oven will automatically turn off.



Bake Tips and Techniques

Baking is cooking with heated air. Both upper and lower elements in the oven are used to heat the air but no fan is used to circulate the heat.

Follow the recipe or convenience food directions for baking temperature, time and rack position. Baking time will vary with the temperature of ingredients and the size, shape and finish of the baking utensil.

General Guidelines

- For best results, bake food on a single rack with at least 1" - 1 ½" (2,5 - 3cm) space between utensils and oven walls.
- Use one rack when selecting the bake mode.
- Check for doneness at the minimum time.
- Use metal bake ware (with or without a non stick finish), heatproof glass, glass-ceramic, pottery or other utensils suitable for the oven.
- When using heatproof glass, reduce temperature by 25°F (15°C) from recommended temperature.
- Use baking sheets with or without sides or jelly roll pans.
- Dark metal pans or nonstick coatings will cook faster with more browning. Insulated bake ware will slightly lengthen the cooking time for most foods.
- Do not use aluminum foil or disposable aluminum trays to line any part of the oven. Foil is an excellent heat insulator and heat will be trapped beneath it. This will alter the cooking performance and can damage the finish of the oven.
- Avoid using the opened door as a shelf to place pans.
- Tips for Solving Baking Problems is found on Page 30.

Bake Chart

FOOD ITEM	RACK POSITION	TEMP. °F (°C) (PREHEATED OVEN)	TIME (MIN)
Cake			
Cupcakes	2	350 (175)	17-19
Bundt Cake	1	350 (175)	37-43
Angel Food	1	350 (175)	35-39
Pie			
2 crust, fresh, 9"	2	375-425 (190-220)	45-55
2 crust, frozen fruit, 9"	2	375 (190)	68-78
Cookies			
Sugar	2	350-375 (175-190)	6-11
Chocolate Chip	2	350-375 (175-190)	8-13
Brownies	2	350 (175)	29-36
Breads			
Yeast bread loaf, 9x5	2	375 (190)	18-22
Yeast rolls	2	375-400 (190-205)	12-15
Biscuits	2	375-400 (190-205)	11-15
Muffins	2	425 (220)	15-19
Pizza			
Frozen	2	400-450 (205-235)	23-26
Fresh	2	425-450 (220-235)	12-15

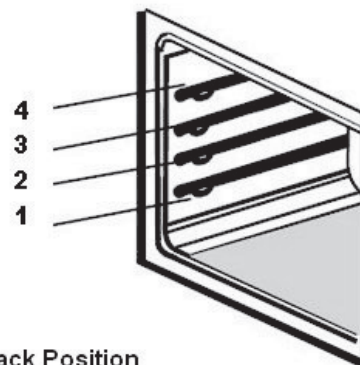
Convection Bake Tips and Techniques

Reduce recipe baking temperatures by 25°F (15°C).

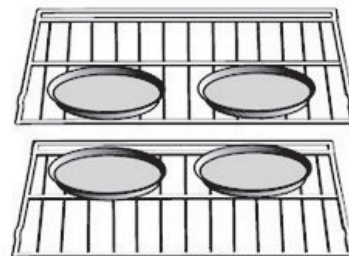
- For best results, foods should be cooked uncovered, in low-sided pans to take advantage of the forced air circulation. Use shiny aluminum pans for best results unless otherwise specified.
- Heatproof glass or ceramic can be used. Reduce temperature by another 25°F (15°C) when using heatproof glass dishes for a total reduction of 50°F (30°C).
- Dark metal pans may be used. Note that food may brown faster when using dark metal bake ware.
- The number of racks used is determined by the height of the food to be cooked.
- Baked items, for the most part, cook extremely well in convection. Don't try to convert recipes such as custards, quiches, pumpkin pie, or cheesecakes, which do not benefit from the convection-heating process. Use the regular Bake mode for these foods.
- Multiple rack cooking for oven meals is done on rack positions 1, 2 and 3. All four racks can be used for cookies, biscuits and appetizers.
 - 2 Rack baking: Use positions 1 and 3.
 - 3 rack baking: Use positions 2, 3 and 4.
 - When baking four cake layers at the same time, stagger pans so that one pan is not directly above another. For best results, place cake son front of upper rack and back of lower rack (See graphic at right). Allow 1" - 1 1/2" (2,5 - 3cm).air space around pans.
- Converting your own recipe can be easy. Choose a recipe that will work well in convection.
- Reduce the temperature and cooking time if necessary. It may take some trial and error to achieve a perfect result. Keep track of your technique for the next time you want to prepare the recipe using convection.
- Tips for Solving Baking Problems are found on Page 30.

Foods recommended for Convection Bake mode:

Appetizers Biscuits Coffee Cakes
 Cookies (2 to 4 racks) Yeast Breads
 Cream Puffs
 Popovers
 Casseroles and One-Dish Entrees
 Oven Meals (rack positions 1, 2, 3)
 Air Leavened Foods (Soufflés, Meringue, Meringue-Topped Desserts, Angel Food Cakes, Chiffon Cakes)



Rack Position



Multiple Rack Pan Placement

Quick and easy recipe tips

Converting from standard **BAKE** to **CONVECTION BAKE**:

- Reduce the temperature by 25°F (15°C).
- Use the same baking time as Bake mode if under 10 to 15 minutes.
- Foods with a baking time of less than 30 minutes should be checked for doneness 5 minutes earlier than in standard bake recipes.
- If food is baked for more than 40 to 45 minutes, bake time should be reduced by 25%.

Convection Bake Chart

Reduce standard recipe temperature by 25°F(15°C) for Convection Bake.
Temperatures have been reduced in this chart.

FOOD ITEM	RACK POSITION	TEMP. °F (°C) (PREHEATED OVEN)	TIME (MIN)
Cake			
Cupcakes	2	325 (160)	17-19
Bundt Cake	1	325 (160)	37-43
Angel Food	1	325 (160)	35-39
Pie			
2 crust, fresh, 9"	2	350-400 (175-205)	45-55
2 crust, frozen fruit, 9"	2	350 (175)	68-78
Cookies			
Sugar	2	325-350 (160-175)	6-11
Chocolate Chip	2	325-350 (160-175)	8-13
Brownies	2	325 (160)	29-36
Breads			
Yeast bread, loaf, 9x5	2	350 (175)	18-22
Yeast rolls	2	350-375 (175-190)	12-15
Biscuits	2	350-375 (175-190)	11-15
Muffins	2	400 (205)	15-19
Pizza			
Frozen	2	375-425 (190-220)	23-26
Fresh	2	400-425 (205-220)	12-15

This chart is a guide.

Follow recipe or package directions and reduce temperatures appropriately.

Convection Roast Tips and Techniques

- Preheat for Convection Roast.
- Roast in a low-sided, uncovered pan.
- When roasting whole chickens or turkey, tuck wings behind back and loosely tie legs with kitchen string.
- Use the 2-piece broil pan for roasting uncovered.
- Use the probe or a meat thermometer to determine the internal doneness on “END” temperature (see cooking chart).
- Double-check the internal temperature of meat/poultry by inserting meat thermometer into another position.
- When roasting a large roast or turkey, roasting pan may need to be rotated during roasting time. This will allow for more even cooking. Large birds may also need to be covered with foil (and pan roasted) during a portion of the roasting time to prevent over-browning.

Quick and easy recipe tips

Converting from standard **BAKE** to **CONVECTION ROAST**:

- Temperature does not have to be lowered.
- Roasts, large cuts of meat and poultry generally take 10-20% less cooking time. Check doneness early.
- Casseroles or pot roasts that are baked covered in **CONVECTION ROAST** will cook in about the same amount of time.
- The minimum safe temperature for stuffing in poultry is 165°F (75°C).
- After removing the item from the oven, cover loosely with foil for 10 to 15 minutes before carving.
- While covered, roast temperatures increase by 5° to 10°F (3° to 6°C).

Convection Roast Chart

MEATS	WEIGHT (lb)	OVEN TEMP. °F (°C)	RACK POSITION	TIME (min. per lb)	INTERNAL TEMP. °F (°C)
Beef					
Rib Roast	4-6	325 (160)	2	24-30 27-33	145 (63) medium rare 160 (71) medium
Rib Eye Roast, (boneless)	4-6	325 (160)	2	22-30 27-33	145 (63) medium rare 160 (71) medium
Rump, Eye, Tip, Sirloin (boneless)	3-6	325 (160)	2	22-28 27-33	145 (63) medium rare 160 (71) medium
Tenderloin Roast	2-3	425 (220)	2	15-25	145 (63) medium rare
Pork					
Loin Roast (boneless or bone-in)	5-8	350 (175)	2	20-30	160 (71) medium
Shoulder	3-6	350 (175)	2	25-35	160 (71) medium
Poultry					
Chicken whole	3-4	375 (190)	2	18-21	180 (82)
Turkey, not stuffed	12-15	325 (160)	1	10-14	180 (82)
Turkey, not stuffed	16-20	325 (160)	1	9-11	180 (82)
Turkey, not stuffed	21-25	325 (160)	1	6-10	180 (82)
Turkey Breast	3-8	325 (160)	1	15-20	170 (77)
Comish Hen	1-1 ½	350 (175)	2	45-75 total	180 (82)
Lamb					
Half Leg	3-4	325 (160)	2	25-30 30-35	160 (71) medium 170 (77) well
Whole Leg	6-8	325 (160)	1	25-30 30-35	160 (71) medium 170 (77) well

Convection Broil Tips and Techniques

- Place rack in the required position needed before turning on the oven.
- Use Convection Broil mode with the **oven door closed**.
- Do not preheat oven.
- Use the 2-piece broil pan.
- Turn meats once halfway through the cooking time (see convection broil chart).

Convection Broil Chart

FOOD AND THICKNESS	RACK POSITION	BROIL SETTING °F (°C)	INTERNAL TEMP. °F (°C)	TIME SIDE 1 (MIN.)*	TIME SIDE 2 (MIN.)*
Beef					
Steak (1-½" or more)					
Medium rare	2	450 (235)	145 (65)	12-14	11-13
Medium	2	450 (235)	160 (71)	15-17	13-15
Well	2	450 (235)	170 (77)	18-20	16-17
Hamburgers (more than 1")					
Medium	3	550 (290)	160 (71)	9-11	5-8
Well	3	550 (290)	170 (77)	11-13	8-10
Poultry					
Chicken Quarters	3	450 (235)	180 (82) (thigh)	16-18	14-16
Chicken Breasts	3	450 (235)	170 (77)	14-16	12-14
Pork					
Pork Chops (1¼" or more)	2	450 (235)	160 (71)	12-14	13-15
Sausage - fresh	3	450 (235)	160 (71)	4-6	3-5

* Broiling and convection broiling times are approximate and may vary slightly.

Dehydrate Tips and Techniques

- Dehydrating can be done using the Dehydrate mode. A lower temperature is used and the circulating heated air slowly removes the moisture for food preservation.
- The Dehydrate mode temperature is pre programmed at 140°F (60°C).
- The Dehydrate mode temperatures available are 120°F (50°C) to 160°F (70°C).
- Multiple racks can be used simultaneously.
- Some foods require as much as 14-15 hours of time to fully dehydrate.
- Consult a food preservation book for specific times and the handling of various foods.
- This mode is suitable for a variety of fruits, vegetables, herbs and meat strips.
- Drying screens can be purchased at specialty kitchen shops.
- By using paper towels, some food moisture can be absorbed before dehydrating begins (such as with sliced tomatoes or sliced peaches).

Dehydrate Chart

FOOD	PREPARATION	APPROXIMATE DRYING TIME* (hrs)	TEST FOR DONENESS
Fruit			
Apples	Dipped in 1/4 cup lemon juice and 2 cups water, 1/4 slices	11-15	Slightly pliable
Bananas	Dipped in 1/4 cup lemon juice and 2 cups water, 1/4 slices	11-15	Slightly pliable
Cherries	Wash and towel dry. For fresh cherries, remove pits	10-15	Pliable, leathery, chewy
Oranges Peels and slices	1/4 slices of orange; orange part of skin thinly peeled from oranges	Peels 2-4 Slices: 12-16	Orange peel: dry and brittle Orange slices: skins are dry and brittle, fruit is slightly moist
Pineapple rings	Towel dried	Canned: 9-13 Fresh: 8-12	Soft and pliable
Strawberries	Wash and towel dry. Sliced 1/2" thick, skin (outside) down on rack	12-17	Dry brittle
Vegetable			
Peppers	Wash and towel dry. Remove membrane of pepper, coarsely chopped about 1" pieces	16-20	Leathery with no moisture inside
Mushrooms	Wash and towel dry. Cut of stem end. Cut into 1/8" slices	7-12	Tough and leathery, dry
Tomatoes	Wash and towel dry. Cut this slices, 1/8" thick, dry well	16-23	Dry, brick red color
Herbs			
Oregano, sage parsley and thyme, and fennel	Rinse and dry with paper towel	Dry at 120°F (60°C) 3-5 hrs	Crisp and brittle
Basil	Use basil leaves 3 to 4 inches from top. Spray with water, shake off moisture and pat dry	Dry at 120°F (60°C) 3-5 hrs	Crisp and brittle

Broil Tips and Techniques

- Place rack in the required position needed before turning on the oven.
- Use Broil mode with the **oven door closed**.
- Do not preheat oven.
- Use the 2-piece broil pan.
- Meats may be brushed with cooking oil or butter to prevent sticking.
- Turn meats once halfway through the cooking time (see broil chart).

Broil Chart

FOOD AND THICKNESS	RACK POSITION	BROIL SETTING	INTERNAL TEMP. °F (°C)	TIME SIDE 1 (MIN.)*	TIME SIDE 2 (MIN.)*
Beef					
Steak (3/4"-1")					
Medium rare	3	5	145 (63)	5-7	4-6
Medium	3	5	160 (71)	6-8	5-7
Well	3	5	170 (77)	8-10	7-9
Hamburgers (3/4"-1")					
Medium	3	5	160 (71)	7-9	5-7
Well	3	5	170 (77)	8-10	7-9
Poultry					
Breast (bone-in)	3	3	170 (77)	14-16	14-16
Thigh (very well done)	3	3	180 (82)	28-30	13-15
Pork					
Pork Chops (1")	3	5	160 (71)	7-9	5-7
Sausage - fresh	3	5	160 (71)	5-7	3-5
Ham Slice (1/2")	3	5	160 (71)	3-5	4-6
Seafood					
Fish Filets, 1" Buttered	3	4	Cook until opaque & flakes easily with fork	10-14	Do not turn
Lamb					
Chops (1")					
Medium Rare	3	5	145 (63)	5-7	4-6
Medium	3	5	160 (71)	6-8	5-7
Well	3	5	170 (77)	8-10	7-9
Bread					
Garlic Bread, 1" slices	4	5		2-2,30	
Garlic Bread, 1" slices	3	5		4-6	

* Broiling and convection broiling times are approximate and may vary slightly

Food Service Temperature Guidelines from FSIS (USDA food Safety & Inspection Service)

140°F(60°C)	Ham, precooked (to Reheat)	165°F (74°C)	Stuffing (cooked alone or in bird)
145°F(63°C)	Fresh beef, Veal, Lamb (medium rare)		Leftovers & Casseroles
160°F(71°C)	Ground Meat & Meat mixtures (Beef, Pork, Veal Lamb)	170°F (77°C)	Fresh beef, Veal, Lamb (well done)
	Fresh beef, Veal, Lamb (medium)		Poultry breast
	Fresh Pork (medium)		Fresh Pork (well done)
	Fresh Ham (raw)	180°F (82°C)	Chicken and Turkey (Whole)
Egg Dishes	Poultry (thighs and wings)		
165°F(74°C)	Ground Meat & Meat mixtures (Turkey, Chicken)		Duck and Goose

Note : Eggs (alone, not used in a recipe) – cook until yolk & white are firm

Special Features

The Special Features function can be used to select the following special oven features:

1. **SAB => SABBATH MODE** (for religious faiths with “no work” requirements on the Sabbath)
2. **OFS => OVEN OFFSET** (used to calibrate the oven temperature)
3. **dEG => °UNIT** (used to select Fahrenheit or Centigrade)
4. **Hr => CLOCK FORMAT** (used to set the time of day format as 12 am/pm or 24 hr).

To select special features, follow the steps below:

Touch and hold CLOCK and TIMER for at least 3 seconds. Clock time disappears and the following display is shown.



1. Press the INC or the DEC key to scroll all available options until the desired one is found.
2. Press CLOCK key to enter the change mode.
3. The value will blink, change it by means of INC or DEC keys.



4. Hold the CLOCK key to confirm and go back to the clock original screen.

Sabbath Mode Instruction

Enter the user option menu holding CLOCK and TIMER keys at the same time. Scroll the option list in the red digits field (dEG, OFF, Hr, Sab), by pressing INC/DEC, until Sabbath item is found.



1. Press CLOCK to enter edit mode: the selected item switches to the green digits on the left and its status in the red digits field starts blinking.



2. Press again INC/DEC keys to set Sabbath mode ON or OFF (Default=OFF). Press CLOCK to confirm and come back to the option list. Hold CLOCK key for 3 seconds to quit the selection menu and go back to normal operations.
3. Once Sabbath mode is set, only BAKE and OFF positions are available in the cooking mode selector. Move the selector to BAKE then set the temperature to the desired value within 5 minutes. After 5 minutes, the temperature cannot be shown any more and the display appears as below: Sabbath mode is active.



- Oven lights status cannot be changed during Sabbath time.
- Oven temperature can only be lowered but no information can be displayed.
- The cooling fan must run in Sabbath mode.
- Preheat lights are inhibited during Sabbath mode.
- The buzzer must always be silent, regardless of any fault, end of activity, etc.
- Maximum allowed cooking time must be 72 hours.
- The user is allowed to stop the oven manually, also during Sabbath, moving the cooking mode selector to OFF position.

Oven Care and Cleaning

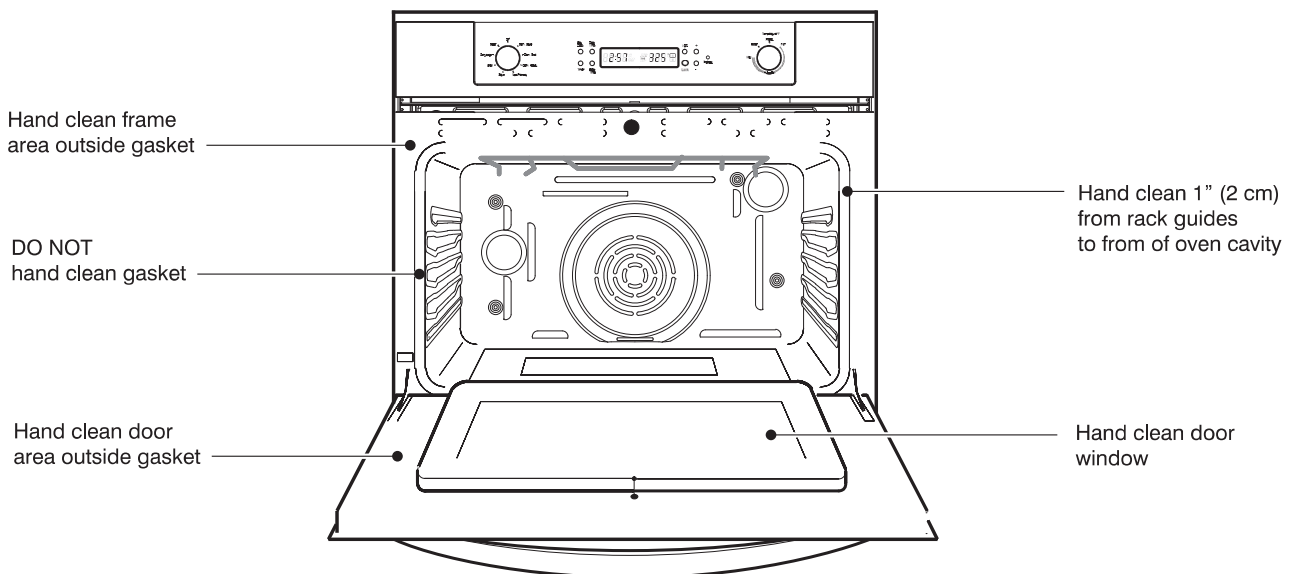
Self-Cleaning the Oven

This oven features a pyrolytic self-cleaning function that eliminates the difficult and time consuming manual scrubbing of the oven interior. During self-cleaning, the oven uses a very high temperature (approx. 885°F/470°C) to burn away food soil and grease.

- It is common to see smoke and/or an occasional flame-up during the Self-Clean cycle, depending on the content and amount of soil remaining in the oven. If a flame persists, turn off the oven and allow it to cool before opening the door to wipe up the excessive food soil.
- The door latch is automatically activated after selecting the Self-Clean cycle. The door lock symbol will appear in the display. This ensures that the door cannot be opened while the oven interior is at clean temperatures.
- The oven light does not operate during this mode.
- During Self-Clean, the kitchen should be well ventilated to help eliminate odors associated with Self-Clean. Odors will lessen with use.
- Three hours is the preset length of cleaning.
- The mode automatically stops at the end of the clean hours.
- When the oven heat drops to a safe temperature, the automatic door lock will release and the door can be opened.

Preparing the Oven for Self-Clean

1. Remove all utensils and bake ware.
2. Remove oven racks. If oven racks are left in the oven during the self-clean cycle, they will permanently lose the shiny finish and change to a dull dark finish. See *Oven Cleaning Chart* for proper care, Pages 26 to 27.
3. Wipe up any soft soil spills and grease with paper towels. Excess grease will cause flames and smoke inside the oven during self-cleaning.
4. Review illustration below. Some areas of the oven must be cleaned by hand before the cycle begins. They do not get hot enough during the cleaning cycle for soil to burn away. Use a soapy sponge or plastic scrubber or a detergent-filled S.O.S.® pad. Hand-clean the oven door edge, oven front frame and up to 1-½" (2-3 cm) inside the frame with detergent and hot water. Do not rub the gasket on oven. Hand clean the oven door window. Rinse all areas thoroughly then dry.
5. Be sure oven interior lights are turned off and the light bulbs and lens covers are in place. See Pages 29.



Setting the Self-Clean Mode

To Set the Self-Clean Mode

1. Rotate both knobs into the clean position.
2. CLEAN & TIME appear.
3. The number of cleaning hours is displayed automatically, standard cleaning time is 3 hours.
4. At the end of the programmed cleaning time, the oven will automatically turn off.
5. To stop the cleaning mode at any moment, move one of the two knobs from the cleaning position.

Do not attempt to open the door while the door is locked. The lock symbol will flash until the motor stops. When the lock symbol is displayed, the door cannot be opened. Check that the door has been locked and will not open before starting the Self-Clean mode. If door does not lock, rotate the cooking mode knob into the OFF position and do not start self-clean; phone for service.

If the door is in the open position when this mode is selected, the lock symbol will flash until the door is closed. The latch doesn't move.

To Change the Cleaning Time

1. To change the setting from 3 hours, select either 2 hours for light soil or 4 hours for heavy soil immediately before starting.
2. To change the hours, touch the COOK TIME key.
3. The number of hours for cleaning will flash.
4. Use INC or DEC buttons to change the number of hours.

5. To change the minutes, touch the COOK TIME key.
6. The number of minutes for cleaning will flash.
7. Use INC or DEC buttons to change the number of minutes. Hold the key to change by 10 minutes.

Press COOK TIME or wait a few seconds to confirm the new value.

To Delay the Start of Cleaning

1. Follow steps 1 through 7 above.
2. Touch the STOP TIME key and the hour to stop will begin flashing.
3. Use INC or DEC buttons to change the stop hour.
4. To change the minutes, touch the STOP TIME key.
5. The minutes to stop cleaning will flash.
6. Use INC or DEC buttons to change the minutes. Hold the key to change by 10 minutes.
7. Press STOP TIME or wait a few seconds to confirm the new value.
8. Oven door will lock and display shows DELAY.
9. When the delay time ends, cleaning will start.
10. At the end of the programmed cleaning time, the oven will automatically turn off.
11. END will appear on the display, CLEAN & TIME will flash until any time key is touched or the knob is moved to the OFF position.

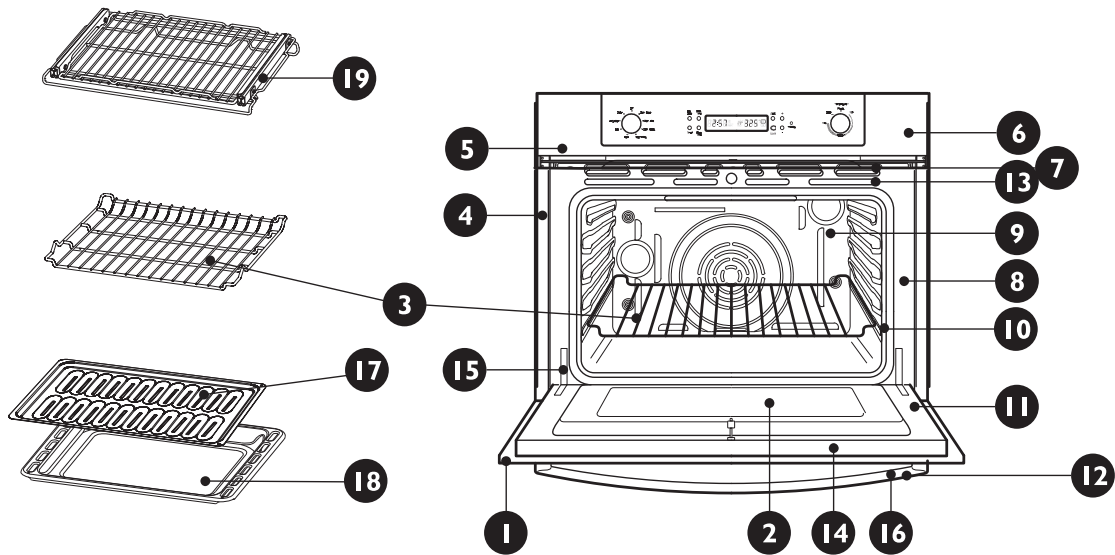
TO CHECK CLEAN TIME OR STOP TIME during a delayed clean, simply press COOK TIME or STOP TIME buttons.



General Oven Care

How to Use the Oven Cleaning Chart

1. Locate the number of the part to be cleaned in the illustration on this page.
2. Find the part name in the chart.
 - Use the cleaning method in the left column if the oven is black or white.
 - Use the cleaning method in the right column if the oven is stainless steel.
3. Match the letter with the cleaning method on following page.



Cleaning Chart

Part		Cleaning Method		Part		Cleaning Method	
		Black & White Oven	Stainless Stell Oven			Black & White Oven	Stainless Stell Oven
1	Door frame	E	E	11	Interior Oven Door	E	E
2	Interior door windows	F	F	12	Door Handle	D	D
3	Removable Oven Racks	A or E	A or E	13	Door Cooling Vent	E	E
4	Slide Trim	D	D	14	Door Front	C&D	C&D
5	Control Panel Trim	C	G	15	Oven Trim	D	D
6	Control Panel	C	C	16	End Caps	D	D
7	Oven Cooling Vents	D	D	17	Broil Pan Rack	E	E
8	Oven Front Frame	E	E	18	Broil pan Bottom	E	E
9	Oven Cavity	E	E	19	Extendable rack	A	A
10	Mesh Gasket	B	B				

Oven Finishes / Cleaning Methods

The entire oven can be safely cleaned with a soapy sponge, rinsed and dried. If stubborn soil remains, follow the recommended cleaning methods below.

- Always use the mildest cleaner that will do the job.
- Rub metal finishes in the direction of the grain.
- Use clean, soft cloths, sponges or paper towels.
- Rinse thoroughly with a minimum of water so it does not drip into door slots.
- Dry to avoid water marks.

The cleaners listed below indicate types of products to use and are not being endorsed. Use all products according to package directions.

<i>Part</i>	<i>Cleaning Method</i>
A Chrome Plated	Wash with hot sudsy water. Rinse thoroughly and dry. Or, gently rub with Soft Scrub®, Bon-Ami®, Comet®, Ajax®, Brillo® or S.O.S.® pads as directed. Easy Off® or Dow® Oven Cleaners (cold oven formula) can be used, but may cause darkening and discoloration. Racks may be cleaned in the oven during the self-clean mode. However, they will lose their shiny finish and permanently change to a metallic gray.
B Fiberglass Knit	DO NOT HAND CLEAN GASKET.
C Glass	Spray Windex® or Glass Plus® onto a cloth first, then wipe to clean. Use Fantastik® or Formula 409® to remove grease spatters.
D Painted	Clean with hot sudsy water or apply Fantastik® or Formula 409® first to a clean sponge or paper towel and wipe clean. Avoid using powdered cleansers and steel wool pads.
E Porcelain	Immediately wipe up acid spills like fruit juice, milk and tomatoes with a dry towel. Do not use a moistened sponge/towel on hot porcelain. When cool, clean with hot sudsy water or apply Bon-Ami® or Soft Scrub® to a damp sponge. Rinse and dry. For stubborn stains, gently use Brillo® or S.O.S.® pads. It is normal for porcelain to craze (fine lines) with age due to exposure from heat and food soil.
F Reflective Glass	Clean with hot sudsy water and sponge or plastic scrubber. Rub stubborn stains with vinegar, Windex®, ammonia or Bon-Ami®. DO NOT USE HARSH ABRASIVES.
G Stainless	Always wipe or rub with grain. Clean with a soapy sponge then rinse and dry. Or, wipe with Fantastik® or Formula 409® sprayed onto a paper towel. Protect and polish with Stainless Steel Magic® and a soft cloth. Remove water spots with a cloth dampened with white vinegar. Use Zud®, Cameo®, Bar Keeper's Friend® or RevereWare Stainless Steel Cleaner®, to remove heat discoloration.
H Probe (if present)	Clean probe by hand with detergent and hot water. Then rinse and dry. Do not so or clean in dishwasher.

Do-it-Yourself Maintenance

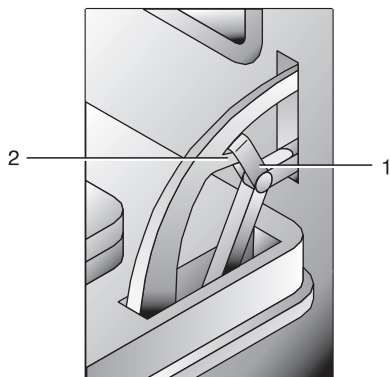
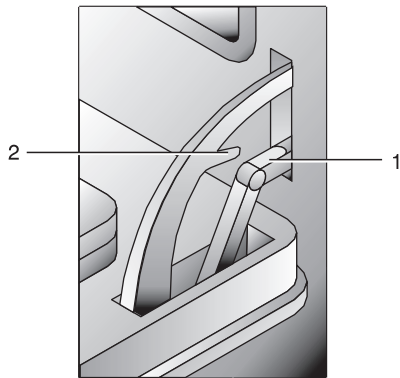
Oven Door Removal

WARNING

- Make sure oven is cool and power to the oven has been turned off before removing the door. Failure to do so could result in electrical shock or burns.
- The oven door is heavy and fragile. Use both hands to remove the oven door. The door front is glass. Handle carefully to avoid breakage.
- Grasp only the sides of the oven door. Do not grasp the handle as it may swing in your hand and cause damage or injury.
- Failure to grasp the oven door firmly and properly could result in personal injury or product damage.

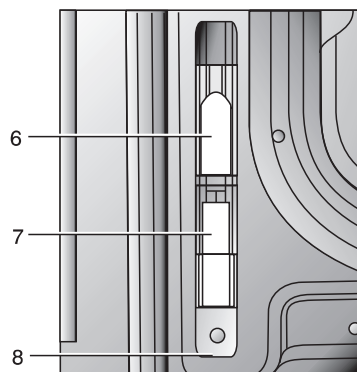
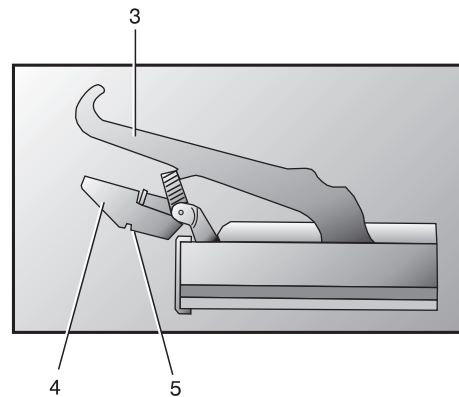
To Remove Door

1. Open the door completely.
2. Lift up the hinge bracket (1) into the slot (2).
3. Hold the door firmly on both sides using both hands and close the door.
4. Hold firmly; the door is heavy.
5. Place the door in a convenient location.



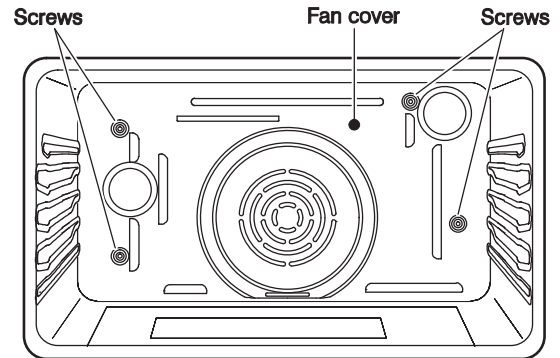
To Replace Door

1. Insert the upper arms (3) of both hinges into the upper slots (6) and the lower arms (4) into the lower slots (7). The recesses (5) must hook on the lips (8).
2. Move the hinge brackets (1) back down into position.
3. Close and open the door slowly to assure that it is correctly and securely in place.



Replacing an Oven Light

- Each oven is equipped with two halogen lights located in the back wall of the oven.
- The lights are switched on when the door is opened or when the oven is in a cooking cycle.
- The oven lights are not illuminated during SELF- CLEAN.
- Each light assembly consists of a removable lens, a light bulb as well as a light socket housing that is fixed in place. See figure on this page.
- Light bulb replacement is considered to be a routine maintenance item.



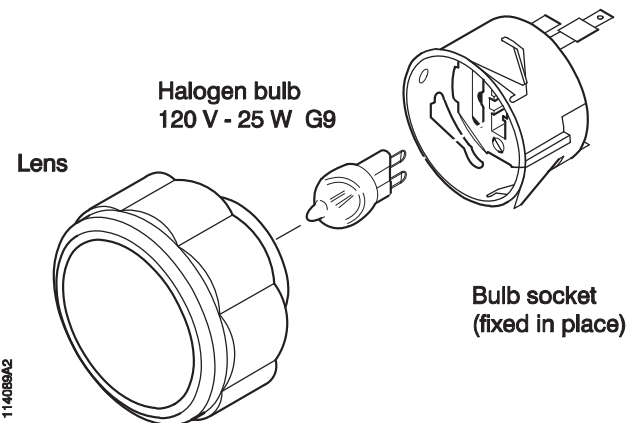
To Replace a Light Bulb

1. Read WARNING on this page.
2. Turn off power at the main power supply (fuse or breaker box).
3. In convection ovens, remove the fan cover by unscrewing the four screws.
4. Remove the lens by unscrewing it.
5. Remove the light bulb from its socket by pulling it.
6. Replace the bulb with a new one. Avoid touching the bulb with fingers, as oils from hands can damage the bulb when it becomes hot.
7. The bulb is halogen: use one with the same Volt and Watt (**see figures on this page**).
8. Screw the lens back on.
9. Replace the fan cover if it is provided with the oven model.

Turn power back on at the main power supply (fuse or breaker box).

WARNING

- Make sure the oven and lights are cool and power to the oven has been turned off before replacing the light bulb(s). Failure to do so could result in electrical shock or burns.
- The lenses must be in place when using the oven.
- The lenses serve to protect the light bulb from breaking.
- The lenses are made of glass. Handle carefully to avoid breakage. Broken glass could cause an injury.



Solving Baking Problems

With either Bake or Convection Bake, poor results can occur for many reasons other than a malfunction of the oven. Check the chart below for causes of the most common problems. Since the size, shape and material of baking utensils directly affect the baking results, the best solution may be to replace old baking utensils that have darkened and warped with age and use. Check the Baking Charts from Page 15 to 21 for the correct rack position and baking time

<i>Baking Problem</i>	<i>Cause</i>
Food browns unevenly	<ul style="list-style-type: none"> • Oven not preheated • Aluminum foil on oven rack or oven bottom • Baking utensil too large for recipe • Pans touching each other or oven walls
Food too brown on bottom	<ul style="list-style-type: none"> • Oven not preheated • Using glass, dull or darkened metal pans • Incorrect rack position • Pans touching each other or oven walls
Food is dry or has shrunk excessively	<ul style="list-style-type: none"> • Oven temperature too high • Baking time too long • Oven door opened frequently • Pan size too large
Food is baking or roasting too slowly	<ul style="list-style-type: none"> • Oven temperature too low • Oven not preheated • Oven door opened frequently • Tightly sealed with aluminum foil • Pan size too small
Pie crusts do not brown on bottom or have soggy crust	<ul style="list-style-type: none"> • Baking time not long enough • Using shiny steel pans • Incorrect rack position • Oven temperature is too low
Cakes pale, flat and may not be done inside	<ul style="list-style-type: none"> • Oven temperature too low • Incorrect baking time • Cake tested too soon • Oven door opened too often • Pan size may be too large
Cakes high in middle with crack on top	<ul style="list-style-type: none"> • Baking temperature too high • Baking time too long • Pans touching each other or oven walls • Incorrect rack position • Pan size too small
Pie crust edges too brown	<ul style="list-style-type: none"> • Oven temperature too high • Edges of crust too thin

Solving Operational Problems

Before calling for assistance or service, please check "Troubleshooting." It may save you the cost of a service call. If you still need help, follow the instructions below. When calling, please know the purchase date and the complete model and serial number of your appliance. This information will help us to better respond to your request.

<i>Oven Problem</i>	<i>Problem Solving Steps</i>
F03 or F04 Error appear in the display window.	A problem with latch mechanism occurred. Remove power and turn it back on again after a few seconds. The oven should run a latch auto-test. If condition persists, note the code number and call an authorized servicer.
Other F__ Error appear in the display window.	Remove power and turn it back on again after a few seconds. If condition persists, note the code number and call an authorized servicer.
The oven display stay OFF	Turn off power at the main power supply (fuse or breaker box). Turn breaker back on. If condition persists, call an authorized service center.
Cooling fan continues to run after oven is turned off	The fan turns off automatically when the electronic components have cooled sufficiently.
Oven door is locked and will not release, even after cooling	Turn the oven off at the circuit breaker and wait a few seconds. Turn breaker back on. The oven should reset itself and will be operable.
Oven is not heating	Check the circuit breaker or fuse box to your house. Make sure there is proper electrical power to the oven. Make sure the oven temperature has been selected.
Oven is not cooking evenly	Check oven calibration. Adjust calibration if necessary (see To Set Temperature, Page 13). Refer to cook charts for recommended rack position. Always reduce recipe temperature by 25°F (15°C) when baking with Convention Bake mode.
Oven temperature is too hot or too cold	The oven thermostat needs adjustment. See Calibrating Oven Temperature, Page 13.
Oven light is not working properly	Replace or reinsert the light bulb if loose or defective. See Page 29. Touching the bulb with fingers may cause the bulb to burn out.
Oven light stays on	Check for obstruction in oven door. Check to see if hinge is bent.
Cannot remove lens cover on light	There may be a soil build-up around the lens cover. Wipe lens cover area with a clean dry towel prior to attempting to remove the lens cover.
Oven will not Self-Clean properly	Allow the oven to cool before running Self-Clean. Always wipe out loose soils or heavy spill-over before running Self-Clean. If oven is badly soiled, set oven for a four-hour Self-Clean. See Preparing the Oven to Self-Clean, Page 24.
Clock and timer are not working properly	Make sure there is proper electrical power to the oven. See the Clock and Timer sections on Page 12.
Excessive moisture	When using Bake mode, preheat the oven first. Convection Bake and Convection Roast will eliminate any moisture in oven (this is one of the advantages of convection).
Porcelain chips	When oven racks are removed and replaced, always tilt racks upward and do not force them to avoid chipping the porcelain.

Service Data Record

For authorized service or parts information see paragraph "BLOMBERG Warranty .."

The location of the serial tag on the product can be seen when the oven door is opened. It is located on the left side, centered vertically just inside the oven cavity. See Page 7. Now is a good time to write this information in the space provided below. Keep your invoice for warranty validation.

Model Number _____ Serial Number _____ Date of Installation or Occupancy _____

WARRANTY STATEMENT FOR THE BLOMBERG

Cooking Appliances(wall ovens / cooktops)

The warranties provided by Blomberg in these statements only apply to Blomberg cooking appliances(wall ovens / cooktops) sold to the original purchaser or homeowner in the US and Canada. This warranty is not transferable.

To obtain warranty service, please contact our nearest distributor as listed by state **or call 1800-459-9848**. You will need your cooking appliances(wall ovens / cooktops) model number,serial number, retailer name and address, where purchased and purchase date / installation date.

This warranty gives you specific legal rights, and you may also have other rights which vary from state to state.

All warranties stated below are based upon normal household use. The use of the product in a commercial setting will void all warranties.

Service must also be performed by an authorized Blomberg Service Agency

Cosmetic defects must be reported within 10 business days from installation

1 year * limited warranty from date of first installation Blomberg will repair or replace at no cost to the consumer any defective parts of the cooking appliances(wall ovens / cooktops)

2 year * ++ limited warranty from date of first installation (Parts only) Blomberg will repair or replace any parts at no cost to the consumer if material defects or workmanship have caused the damage or failure of these components. Labor charges are the responsibility of the consumer.

2-5 year * ++ limited warranty from date of first installation (Parts only) Blomberg will repair or replace any *circuit boards electronic controls* at no cost to the consumer if material defects or workmanship have caused the damage or failure of these components. Labor charges are the responsibility of the consumer

Disclaimers of warranties and exclusions: Warranty does not cover service costs by an authorized service agent to correct installation, electrical problems or educational instruction on the use of the cooking appliances(wall ovens / cooktops). The warranty also does not cover defects or damage caused by an act of god (such as

storms, floods, fires, mudslides, etc.), damage cause by use of the cooking appliances(wall ovens / cooktops) for purposes other than those for which it was designed, misuse, abuse, accident, alteration, improper installation, maintenance, travel fees, service calls outside normal service hours, unauthorized service work or work.

This product is fully tested and went through official quality assurance inspections before leaving the original manufacturing site. Warranty terms for this Blomberg household appliance is not valid if the product is altered, tampered, modified, additional parts assembled, fixed and re-packed by an authorized distributor, servicer, a third party retailer, reseller or by any other unauthorized person(s).

TO THE EXTENT PERMITTED BY LAW, THIS WARRANTY IS IN LIEU OF ALL OTHER EXPRESSED AND IMPLIED WARRANTIES, INCLUDING THE IMPLIED WARRANTIES OF MERCHANTABILITY AND FITNESS FOR A PARTICULAR PURPOSE. BLOMBERG UNDERTAKES NO RESPONSIBILITY FOR THE QUALITY OF THIS PRODUCT EXCEPT AS OTHERWISE PROVIDED IN THIS WARRANTY STATEMENT. BLOMBERG ASSUMES NO RESPONSIBILITY THAT THE PRODUCT WILL BE FIT FOR ANY PARTICULAR PURPOSE FOR WHICH YOU MAY BE BUYING THIS PRODUCT, EXCEPT AS OTHERWISE PROVIDED IN THIS WARRANTY STATEMENT.

Blomberg does not assume any responsibility for incidental or consequential damages. Such damages include, but are not limited to, loss of profits, loss of savings or revenue, loss of use of the cooker or any associated equipment, cost of capital, cost of any substitute equipment, facilities or services, downtime, the claims of third parties, and injury to property. Some states do not allow the exclusion or limitation of incidental or consequential damages, so the above limitations or exclusion may not apply to you.

* installation date shall refer to either purchase date or 5 business days after delivery of the product to the home, whichever is later.

++Parts replaced will assume the identity of the original parts + their original warranty.

No Other Warranties. This Warranty Statement is the complete and exclusive warranty from the manufacturer. No employee of Blomberg or any other party is authorized to make any warranty statements in addition to those made in this Warranty Statement.

Please keep this warranty card, user manual and your sales slip for future reference.

HOW TO GET SERVICE

Please contact the Distributor for your State or Province as listed on the Distributor Contact List, or call our Toll Free Number at 1 800 459 9848 for direction to an Authorized Blomberg Service Agent.

02 01

<i>Table des matières</i>	Page		Page
Précaution de sécurité	34	Conseils et techniques de convection cuisson	49
Instructions de sûreté	35	<i>Tableau de convection cuisson</i>	49
<i>Securite pour le four</i>	35	Conseils et techniques de convection grill	50
<i>Securite pour l'auto-nettoyage du four</i>	35	<i>Tableau de convection grill</i>	50
Cuisiner avec un four à convection	36	Conseils et techniques de déshydratation	51
<i>Avantages de la cuisson par convection</i>	36	<i>Tableau de grillade à déshydratation</i>	51
Caractéristiques de votre four	37	Conseils et techniques de grill	52
Les panneaux de contrôle	37	<i>Tableau de grill</i>	52
<i>Touches de commande</i>	38	<i>Guide de Temperature de Service de la FSIS</i>	52
<i>Affichage</i>	38	Options spéciales	53
<i>Buttons</i>	38	Instruction du mode sabbat	54
Modèles de four	39	Entretien du four et nettoyage	55
Information générale sur le four	40	<i>Auto-nettoyage du four</i>	55
Conseils généraux sur le four	41	<i>Preparation du four pour l'auto-nettoyant</i>	55
Réglage de l'horloge et de la minuterie	43	Réglage du mode auto-nettoyant	56
<i>Pour regler la pendule</i>	43	<i>Pour régler le mode auto-nettoyant</i>	56
<i>Pour regler la minuterie</i>	43	<i>Pour changer le temps de nettoyage</i>	56
Sélection du mode four	44	<i>Pour retarder le debut du nettoyage</i>	56
<i>Pour regler un mode de cuisson et temperature</i>	44	Entretien général du four	57
<i>Utilisation des lumieres du four</i>	44	<i>Comment utiliser le tableau de nettoyage du four</i>	57
Fonction de mode four minuté	45	<i>Tabelau de nettoyage du four</i>	57
<i>Pour regler le mode programme</i>	45	Finitions du four / méthodes de nettoyage	58
<i>Pour differer le depart d'un mode programme</i>	45	Retrait de la porte du four	59
Conseils et techniques de cuisson	46	Remplacement des ampoules du four	60
<i>Tableau de cuisson</i>	46	<i>Pour remplacer une ampoule</i>	60
Conseils et technique de convection européenne	47	Solution des problèmes de cuisson	61
<i>Tableau de convection européenne</i>	48	Solution des problèmes de fonctionnement	62
		GARANTIE BLOMBERG pour l'électroménager 63	

**IMPORTANT****Appareil domestique et four
Précaution de sécurité****Veillez lire les instructions avant toute utilisation.****AVERTISSEMENT**

A condition de bien l'entretenir, votre nouveau four a été conçu pour être un appareil fiable et sûr. Lisez toutes les instructions soigneusement avant d'utiliser ce four. Ces précautions réduiront le risque de brûlures, d'électrocutions, d'incendie, et de blessures à des personnes. Lorsque vous utilisez des appareils électroménagers de cuisine, il faut suivre les mesures de sécurité basiques, y compris les suivantes :

Cet appareil doit être correctement installé et branché par un technicien qualifié. Branchez-le uniquement à une prise de courant de terre correcte. Reportez-vous à "Instructions de mise à la terre" dans les Instructions d'installation.

- Cet appareil ne doit être mis en service uniquement par un technicien apte et agréé. Contactez le centre de service agréé le plus proche de chez vous pour une inspection, une réparation ou un réglage.
- Ne réparez pas ou ne remplacez pas des pièces du four sauf si on vous le recommande spécifiquement. Faites appel au service agréé.
- Ne faites pas fonctionner cet appareil s'il ne fonctionne pas correctement ou s'il a été abîmé jusqu'à l'inspection du service après-vente agréé.
- Installez ou placez cet appareil uniquement et conformément aux Instructions d'installation.
- Utilisez ce four uniquement dans le but pour lequel il a été conçu par le fabricant. Pour toute question, contactez le fabricant.
- Ne couvrez pas ou ne bloquez pas les ouvertures de cet appareil.
- N'utilisez l'appareil que selon l'usage décrit dans ce manuel. N'utilisez pas de produits chimiques corrosifs, des vapeurs ou des produits non-alimentaires dans cet appareil. Ce type de four est spécifiquement conçu pour chauffer ou cuire. Il n'est pas conçu pour une utilisation industrielle ou en laboratoire. L'utilisation de produits chimiques corrosifs pour le chauffage et le nettoyage endommagera cet appareil.
- Si vos vêtements ou vos cheveux prennent feu, **LAISSEZ-VOUS TOMBER ET ROULEZ IMMEDIATEMENT** pour éteindre les flammes.

- Ne laissez pas les enfants utiliser cet appareil électroménager sans la surveillance stricte d'un adulte. Les enfants et les animaux domestiques ne devraient pas être laissés seuls ou sans surveillance près d'appareil électroménager lorsqu'il est utilisé. Ne laissez jamais un enfant s'asseoir ou se mettre debout sur toute pièce du four.

**ATTENTION**

- Ne mettez pas des objets d'intérêt pour les enfants sur le four. Si un enfant devait grimper sur l'appareil électroménager pour atteindre ces objets, il pourrait se blesser gravement.

Pour réduire les risques de feu dans le four :

1. Ne mettez pas des matériaux inflammables près du four ou dedans.
2. N'utilisez pas d'eau sur un feu de friture. Etouffez le feu en utilisant un extincteur à poudre ou à mousse.
3. Il est hautement recommandé que l'extincteur soit prêt à l'utilisation et bien visible non loin de tout appareil de cuisson.
4. Ne surcuisez pas les aliments. Surveillez le four si des produits en papier, en plastique ou des matières combustibles sont placés dedans.
5. N'utilisez pas l'intérieur du four pour ranger des objets. Ne laissez pas des produits en papier, des ustensiles de cuisine ou de la nourriture dans le four lorsqu'il n'est pas utilisé.
6. Si des matériaux à l'intérieur du four s'enflamment, laissez la porte du four. Eteignez le four et débranchez le circuit aux boîtiers disjoncteurs.
7. N'obstruez pas les ouvertures de ventilation.
8. Assurez-vous que le ventilateur fonctionne lorsque le four est en marche. Si le ventilateur ne fonctionne pas, n'utilisez pas le four. Appelez le service après-vente agréé.
9. N'utilisez jamais le four pour chauffer ou réchauffer une pièce. Cela peut endommager les pièces du four.
10. Pour votre sécurité, portez des vêtements appropriés. Des vêtements amples ou de grandes manches ne doivent jamais être portés en utilisant ce four.

**IMPORTANT****Appareil domestique et four
Instructions de sûreté****Securite pour le four**

- Attachez les cheveux longs.
- Ne touchez pas les éléments chauffants ou l'intérieur des surfaces du four.
- Les éléments chauffants peuvent être chauds même lorsqu'ils sont sombres. Les surfaces intérieures d'un four deviennent assez chaudes pour provoquer des brûlures.
- Pendant et après l'utilisation, ne touchez pas ou ne laissez pas des vêtements ou d'autres matières inflammables en contact avec les éléments chauffants ou les surfaces intérieures du four jusqu'à ce qu'ils aient eu le temps de refroidir suffisamment.
- L'habillage sur le dessus et sur les côtés de la porte du four peut être assez chaud pour provoquer des brûlures.
- Ouvrez la porte avec précaution. Ouvrez la porte doucement pour laisser échapper l'air chaud ou la vapeur avant d'enlever ou de remplacer la nourriture.
- Ne chauffez pas des emballages alimentaires non ouverts. L'accumulation de pression pourrait faire exploser l'emballage et donc blesser.
- Placez toujours les grilles du four dans la position voulue lorsque le four est froid. Si une grille doit être déplacée lorsque le four est chaud, ne laissez pas les moufles en contact avec les éléments chauffants.
- Utilisez toujours des moufles sèches. Des moufles humides sur des surfaces chaudes peuvent brûler à cause de la vapeur. La moufle ne doit pas toucher des parties brûlantes. N'utilisez pas de torchons ou d'autres serviettes volumineuses.

Securite pour l'auto-nettoyage du four

- Assurez-vous que la porte est verrouillée et ne s'ouvrira pas lorsque les deux sélecteurs sont sur la position CLEAN et que l'icône de fermeture de porte apparaît. Si la porte ne ferme pas, tournez le sélecteur de mode de cuisson sur OFF et ne commencez pas d'auto-nettoyage. Téléphonnez pour un Service.
- Ne nettoyez pas le joint de la porte. Il est essentiel pour une bonne étanchéité. Faites extrêmement attention à ne pas frotter, endommager, déplacer ou enlever le joint de la porte.
- N'utilisez pas de nettoyeurs pour four de type commercial ou d'enduit protecteur de toutes sortes à l'intérieur et à l'extérieur du four.
- Ne nettoyez que les pièces indiquées dans ce manuel.
- Avant d'auto-nettoyer le four, enlevez le lèche-frite, les grilles de four, et les autres ustensiles et les excès d'éclaboussures.

**AVERTISSEMENT**

La loi applicable sur les produits toxiques et l'eau potable de Californie requiert que les industriels avisent les utilisateurs d'exposition potentielle aux substances qui sont reconnues par l'Etat de Californie comme provoquant des cancers ou des déformations natales.

L'élimination de résidus pendant l'auto-nettoyage provoque des dérivés qui sont sur cette liste de substances.

Pour minimiser l'exposition à ces substances, faites fonctionner ce four toujours conformément aux instructions dans ce manuel et ventilez bien la pièce pendant et immédiatement après l'auto-nettoyage du four.

Cuisiner avec un four à convection

Dans un four à convection, les cycles de source de chaleur s'allument et s'éteignent pour maintenir une température moyenne dans l'intérieur du four. Comme la température augmente et descend graduellement, de légers courants d'air se produisent dans le four. Cette convection naturelle tend à être inefficace parce que les courants sont irréguliers et lents. Dans ce système de convection, la chaleur est "transportée" par un ventilateur qui apporte une circulation continue d'air chaud.

Ce système à convection européen apporte une ingénierie de pointe et un design avancé pour créer le four à convection le plus intelligent. Dans les fours à convection standard, un ventilateur fait simplement circuler l'air chaud autour de la nourriture. Le système se caractérise par la combinaison d'un élément de chauffage supplémentaire situé autour du ventilateur à convection et le tableau de ventilation qui distribue l'air chauffé en trois dimensions : le long des côtés, en haut et tout au fond du four. Ce système à convection européen aide à maintenir une température plus homogène dans tout le four.

L'air circulant aide à accélérer le processus de cuisson et cuit la nourriture plus uniformément. En contrôlant le mouvement de l'air chauffé, la cuisson par convection produit des aliments uniformément revenus qui sont croustillants à l'extérieur et encore moelleux à l'intérieur. La cuisson par convection fonctionne mieux pour les pains et les gâteaux ainsi que pour les viandes et les volailles. Les aliments levés à la levure comme les gâteaux d'ange, les pâtes à chou et les soufflés à la crème montent plus haut que dans un four conventionnel. Les viandes restent juteuses et tendres alors que l'extérieur garde sa saveur et reste croquant.

L'air circulant aide à accélérer le processus de cuisson et cuit la nourriture plus uniformément. En contrôlant le mouvement de l'air chauffé, la cuisson par convection produit des aliments uniformément revenus qui sont croustillants à l'extérieur et encore moelleux à l'intérieur. La cuisson par convection fonctionne mieux pour les pains et les gâteaux ainsi que pour les viandes et les volailles. Les aliments levés à la levure comme les gâteaux d'ange, les pâtes à chou et les soufflés à la crème montent plus haut que dans un four conventionnel. Les viandes restent juteuses et tendres alors que l'extérieur garde sa saveur et reste croquant.

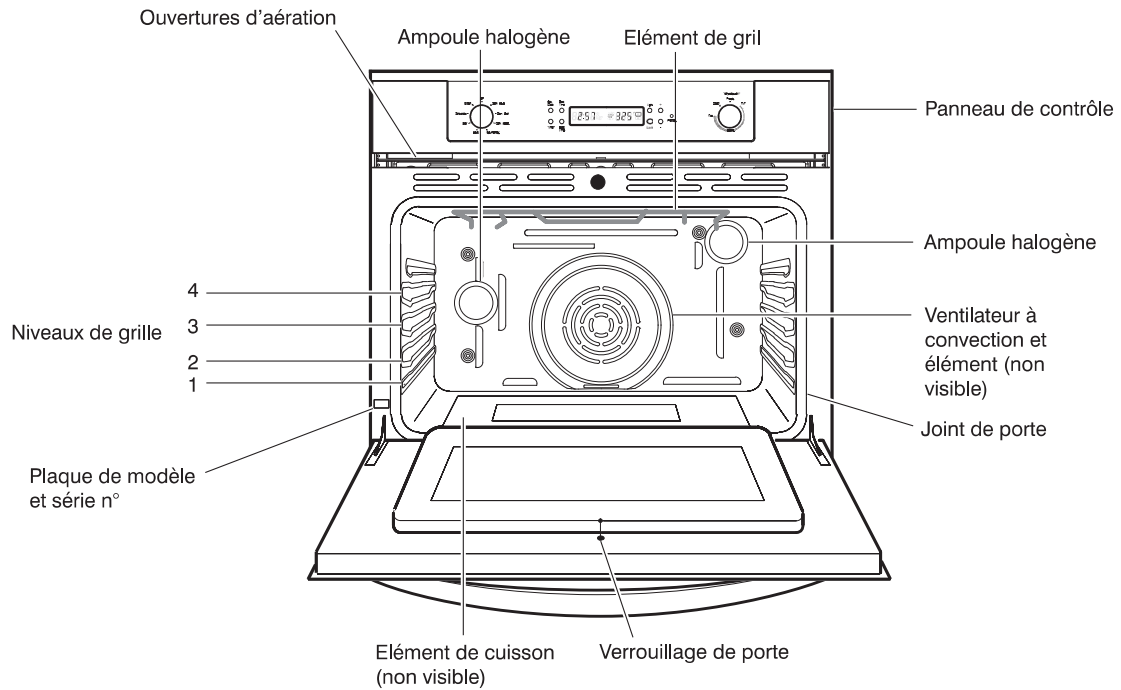
En utilisant un four à convection européen, les aliments peuvent être cuits à une température plus basse et les temps de cuisson peuvent être réduits. En utilisant ce mode, la température de four standard devrait être inférieure de 25°F (15°C).

Les aliments nécessitant un temps moins long de cuisson devront être vérifiés plus tôt que normal. Pour de meilleurs résultats, les aliments devraient être cuits non couverts, dans des plats avec des bords peu élevés pour profiter davantage de la circulation d'air forcée. Lors de l'utilisation du mode de rôtissage à convection, la température du four standard ne doit pas être réduite.

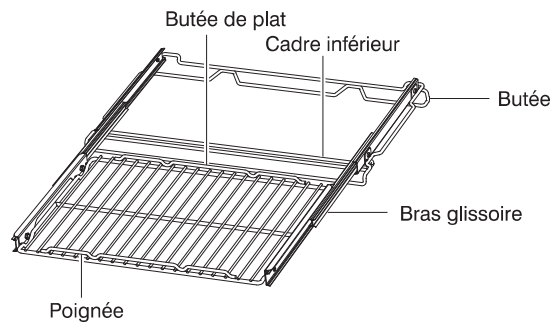
Avantages de la cuisson par convection

- Possibilité de cuire, de faire revenir et de faire croustiller les aliments.
- Pendant le rôtissage, les jus et les saveurs restent à l'intérieur alors que l'extérieur devient croquant.
- Les pains à levure sont plus légers, ils ont une texture plus ferme, ils sont plus dorés et plus croustillants
- Les aliments levés à la levure comme les choux à la crème, les soufflés et les meringues sont plus gonflés et sont plus légers.
- Cuisiner sur plusieurs niveaux en même temps est possible avec les mêmes résultats.
- Plusieurs grilles de cuisson forment un gain de temps.
- Préparation d'un repas entier en une seule fois sans transfert de saveur.
- Déshydratation des herbes, des fruits et des légumes.
- Aucune spécialisation de cuisinière nécessaire.
- Gain de temps et d'énergie.
- Les grillades par convection permettent des grillades extraordinaires avec des tranches plus épaisses.

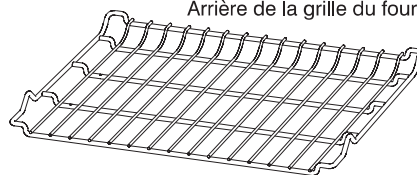
Caractéristiques de votre four



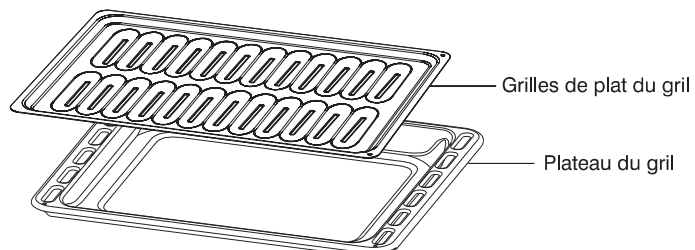
Grille rallonge (SI EXISTE)



Arrière de la grille du four



Devant de la grille du four



Les tableaux de commande

L'interface d'utilisation a les caractéristiques suivantes: affichage, indicateurs lumineux de préchauffage, touches de commande, mode de cuisson et sélecteurs de température.



Touches de commande

[HOROLOGE]: appuyez pour régler ou changer l'heure.

[MINUTERIE]: appuyez pour régler ou effacer la minuterie.

[TEMPS CUISSON]: appuyez pour régler ou changer la durée de l'activité de cuisson.

[FIN CUISSON]: appuyez pour régler ou changer l'heure d'arrêt ou la cuisson différée.

- Lorsque l'une des anciennes touches est appuyée et que les chiffres clignotent, appuyez et/ou appuyez sur les touches suivantes pour changer la valeur.

[ECLAIRAGE]: appuyez pour éteindre le four.

[VERROU] (four simple): appuyez la touche en même temps que [+] pour actionner le verrouillage de sécurité.

[INCREMENT] [+]: appuyez pour augmenter la valeur de la variable actuellement sélectionnée.

[DECREMENT] [-]: appuyez pour diminuer la valeur de la variable actuellement sélectionnée.

Affichage

Voyant de préchauffage (externe).

Quatre chiffres (vert), pour heure, minuterie, cuisson automatique. Indication AM/PM également présente.

Trois chiffres de température (rouge), pour la température du four. L'indication de l'unité de degré (°C ou °F) est présente. Elle montre le point de réglage de la température pour le mode de cuisson courant, dans le four sélectionné.

Icônes de verrouillage et boîte icônes indiquent quel four est actuellement sélectionné et quelle porte, s'il y a en a un ou une, est complètement verrouillée, s'il y en a une, lors de l'auto-nettoyage ou le refroidissement après celui-ci.

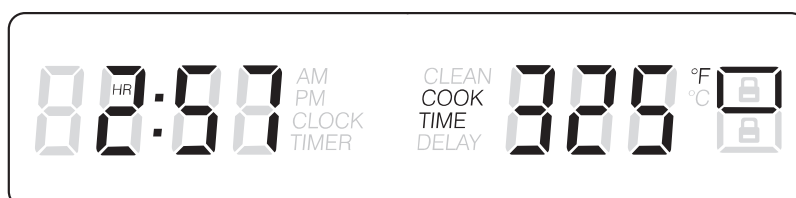
Ecritures pour indiquer quelle fonction est active (allumé) ou en attente d'une entrée d'un utilisateur (clignotant).

Boutons

Cooking mode selector (convection). Huit modes de cuisson + position ARRÊT.

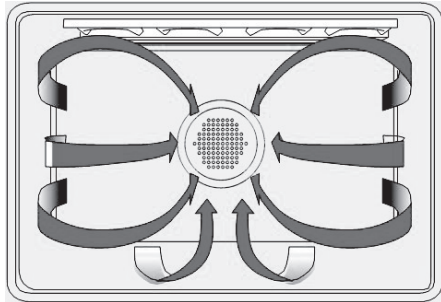
Cooking mode selector (thermal). Trois modes de cuisson + position ARRÊT.

Temperature selector. Positions PER-SEL et AUTO NETTOYANT + variation continue entre les valeurs MOY. et FORT.



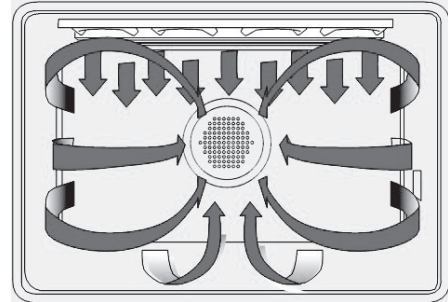
Modes de four

Les illustrations suivantes indiquent une vue générale de ce qui se passe dans le four avec chaque mode de cuisson. Les flèches représentent la situation de la source de chaleur pendant les modes spécifiques. L'élément inférieur est dissimulé sous la sole du four.



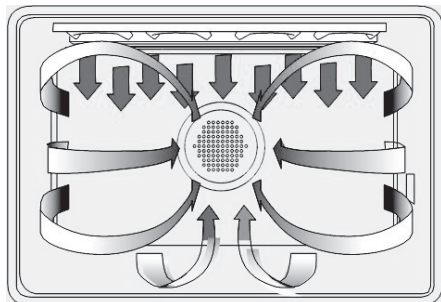
Cuisson au four a convection européenne et deshydratation

La cuisson au four à convection cuit avec la chaleur d'un troisième élément derrière la paroi arrière du four. La chaleur circule à travers le four par un ventilateur à convection. Déshydrater est similaire à la cuisine à convection et cela garde une température basse optimale alors que l'air chauffé circule pour enlever l'humidité doucement pour préserver les aliments.



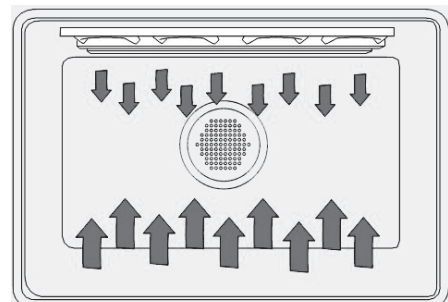
Préchauffage rapide

Le préchauffage rapide utilise l'élément derrière la paroi arrière du four et l'élément additionnel pour chauffer rapidement la cavité. Dès que la sonnerie de préchauffage sonne et que le voyant rouge s'éteint, sélectionnez le mode de cuisson désiré



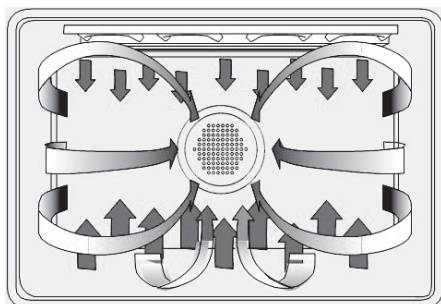
Gril a convection

Le gril à convection combine la chaleur intense de l'élément supérieur avec une chaleur qui circule grâce au ventilateur.



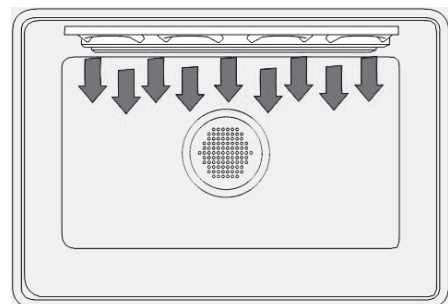
Cuisson au four

La cuisson au four est une cuisine avec de l'air chauffé. Les deux éléments du cycle, celui inférieur et celui supérieur fonctionnent pour garder la température du four.



Cuisson a convection

Le rôtiage à convection utilise l'élément supérieur, du milieu et le ventilateur à convection.



Gril

Le gril utilise la chaleur intense émise depuis l'élément supérieur.

Information générale du four

Avant d'utiliser pour la première fois votre four, enlevez tous les emballages et matériaux étrangers du ou des fours. Tous ces matériaux dans le ou les fours pourraient fondre et/ou brûler lorsque le ou les fours fonctionnent.

Symboles et nombres clignotants

Cela signale un réglage incomplet et requiert un nouveau réglage.

Bips

Cela signale que plus d'informations doivent être entrées ou cela confirme la réception d'une entrée. Un bip signale aussi la fin d'une fonction ou une erreur du four.

Préchauffage rapide

Lorsque le four doit chauffer rapidement, tournez le sélecteur de mode de cuisson sur la position de préchauffage rapide. Dès que la sonnerie de préchauffage sonne et que le voyant rouge s'éteint, sélectionnez le mode de cuisson désiré et mettez les aliments dedans.

Symbole de verrouillage

Il est affiché lorsque la porte est verrouillée, pendant le mode auto-nettoyage ou le refroidissement qui le suit. Le symbole flash lorsque le loquet se déplace pour verrouiller ou déverrouiller la porte. N'essayez pas d'ouvrir la porte. La porte peut être ouverte lorsque le symbole n'apparaît plus.

Verrouillage de sécurité de la porte

Le mécanisme du loquet de verrouillage n'est pas utilisé seulement pour verrouiller la porte pendant l'auto-nettoyage mais aussi pour verrouiller la porte manuellement pour des raisons de sécurité (empêcher un enfant de toucher des parties brûlantes) pendant des cuissons ordinaires.

Four simple : appuyez en même temps pendant 3 secondes les touches INC (+) et VERROU. Le loquet verrouillera la porte. Recommencez la même opération pour déverrouiller.

Coupure de courant

Après le retour du courant, la pendule affiche 12.00^{AM}

Réglages par défaut

Les modes de cuisson sélectionnent automatiquement la température appropriée lorsque le sélecteur est dans une position préréglée. On peut le modifier lorsqu'une température différente est nécessaire.

Codes de chiffre erreur F (Failure)

Ces codes sont affichés lorsque le contrôle électronique détecte un problème dans le four ou sur les parties électroniques.

Ventilateur à convection

Le ventilateur fonctionne pendant tous les modes à convection. Lorsque le four fonctionne dans un mode à convection, le ventilateur s'arrêtera automatiquement lorsque la porte est ouverte. Le ventilateur fonctionner pendant la durée du préchauffage pour des modes spécifiques.

Composant du ventilateur de refroidissement

Il fonctionne pendant tous les modes de cuisson ou d'auto-nettoyage pour refroidir les composants internes et les surfaces de la porte extérieure. Cet air s'échappe des événements situés au-dessus de la porte du four. Il continue à fonctionner jusqu'à un refroidissement suffisant. La vitesse du ventilateur de refroidissement s'accélère pendant l'auto-nettoyage et lorsque la température des composants intérieurs devient élevée.

Conseils généraux sur le four

Préchauffage du four

- Préchauffez le four pour les modes de Cuisson, Convection Europ. et Convection Cuisson.
- Utilisez le préchauffage rapide lorsqu'un délai court est nécessaire pour préchauffer le four.
- Sélectionnez une température plus élevée ne réduit pas le temps de préchauffage.
- Le préchauffage est nécessaire pour de bons résultats lorsque vous cuisinez des gâteaux, des biscuits, des pâtisseries et du pain.
- Le préchauffage aidera à saisir les rôtis et à garder la viande juteuse.
- Places les grilles de four dans leur position appropriée avant le préchauffage.
- Pendant le préchauffage, la température de cuisson choisie est toujours affichée.
- Un bip confirmera que le four est préchauffé et le voyant de préchauffage s'éteindra.
- Le préchauffage rapide peut être utilisé lorsque vous êtes pressé.

Suggestions d'utilisation

- Utilisez les tableaux de cuisson comme guide.
- Ne posez pas les plats sur la porte ouverte.
- Utilisez la lumière intérieure du four pour voir la nourriture à travers la fenêtre de la porte du four plutôt que d'ouvrir la porte fréquemment.

Ustensiles

- Les plats en verre absorbent la chaleur. Réduisez la température du four de 25°F (15°C) lorsque vous utilisez des plats en verre.
- Utilisez des plats qui donnent le brunissage désiré. Le type du finissage du plat aide à déterminer le brunissage.
- Les plats métallisés lisses et brillants ou anodisés/antiadhésifs plus pâles réfléchissent la chaleur, donnant un brunissage plus léger, plus délicat. Les gâteaux et les biscuits nécessitent ce type de plat.

Grilles de four

- Le four est pourvu de guides de grilles à quatre niveaux comme indiqué dans l'illustration Page 38.
- Les positions sont numérotées du bas (n°1) vers le haut (n° 4).
- Vérifiez le tableau des cuissons pour la meilleure position de la grille à utiliser pendant la cuisson.
- Chaque niveau de guide comprend des supports par paire formés dans les parois de chaque côté du four.
- Assurez-vous de toujours placer les grilles avant d'allumer votre four. Assurez-vous que les grilles sont au bon niveau lorsqu'elles sont placées.

Veillez-vous reporter à l'illustration Page 37 si vous avez des questions comme savoir où est le devant de la grille.

- Les grilles sont dessinées pour s'arrêter lorsqu'elles sont poussées jusqu'à leur limite.

- Les plats mats, rugueux, foncés vont absorber la chaleur donnant une croûte plus brune plus croustillante. Utilisez ceux-ci pour les tartes.
- Pour des croûtes croustillantes, brunes, utilisez des plats anodisés/antiadhésifs ou foncés ou en métal mat ou en verre. Des plats isolés peuvent augmenter le temps de cuisson.
- Ne cuisez pas avec le gril vide dans le four, cela pourrait changer la performance de cuisson. Rangez-le en dehors du four.

Condensation du four et température

- Il est normal qu'une certaine quantité d'humidité s'évapore des aliments pendant la cuisson. La quantité dépend de l'humidité contenue dans la nourriture. L'humidité peut se condenser sur toute surface plus froide que l'intérieur du four, comme le tableau de commande.
- Votre nouveau four a un capteur électronique de température qui maintient de façon précise la température choisie. Votre ancien four devait avoir un thermostat mécanique qui passait graduellement à une température plus élevée. Il est normal que vous ayez à ajuster vos recettes préférées en cuisinant dans un nouveau four.

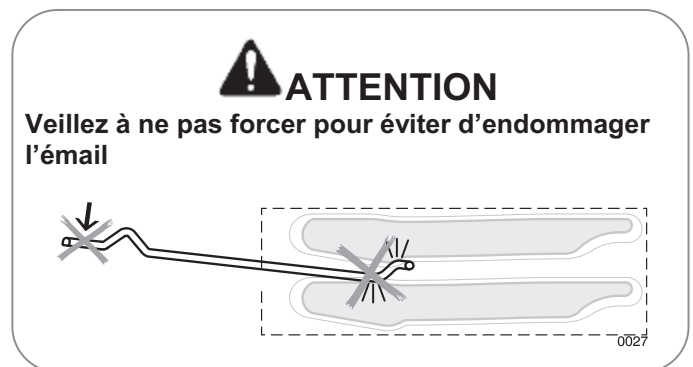
Cuisson à haute altitude

- Lorsque vous cuisinez à haute altitude, les recettes et les durées de cuisson varient de la norme.

Branchement de 120/240 ou de 0/208 Volt

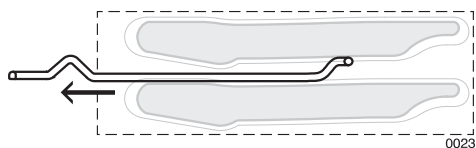
- La plupart des installations de four auront un branchement de 120/240.
- Si votre four est installé avec une tension de 120/208, le temps de préchauffage peut être légèrement plus long qu'avec une tension de 120/240.
- Le four est conçu pour assurer le même temps de nettoyage à 208V.

REMARQUE! N'utilisez jamais de feuille en aluminium pour couvrir les grilles ou le fond du four. La chaleur coincée sous l'aluminium peut causer des dégâts au four.

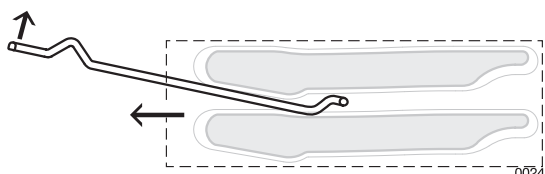


Pour enlever les grilles:

1. Tirez-les vers vous

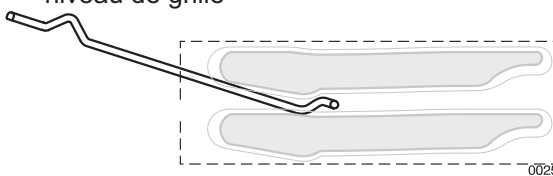


2. Soulevez-les vers devant et ensuite enlever-les

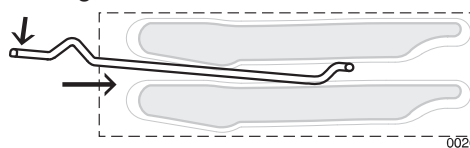


Pour remplacer une grille:

1. Placez l'arrière de la grille entre les guides de niveau de grille



2. En soulevant vers le haut la grille, faites-la glisser tout le long en baissant le devant



Grille rallonge

- Cette grille facilite l'accès aux aliments cuisants. Elle s'allonge plus que la grille standard pour rapprocher les aliments de l'utilisateur.



ATTENTION

Lorsque la grille est hors du four, les bras latéraux ne se verrouillent pas, ils peuvent s'allonger de façon inattendue si la grille est tirée incorrectement et causes des blessures. **La grille doit être tenue ou tirée en saisissant les côtés.**

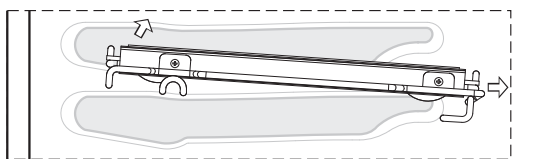
NOTE: Toujours enlever la grille rallonge avant l'autonettoyage..

ATTENTION! Pour éviter les brûlures, tirer complètement la grille et soulever la casserole au-dessus de la poignée au moment de transférer des aliments hors du et dans le four.

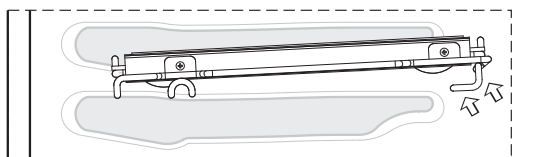
Veuillez-vous reporter à l'illustration Page 37 si vous avez des questions comme savoir où est le devant de la grille.

Retrait du four:

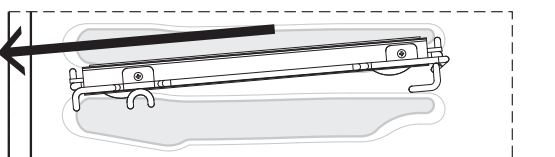
1. Soulever légèrement le devant de la grille et pousser jusqu'à ce que la butée se dégage



2. Soulever l'arrière de la grille jusqu'à ce que le cadre et la butée se dégagent du guide

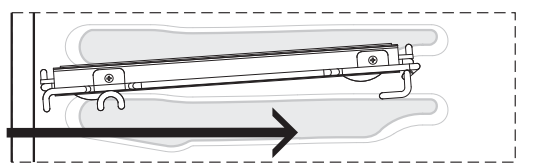


3. Tirer vers le bas et sortir

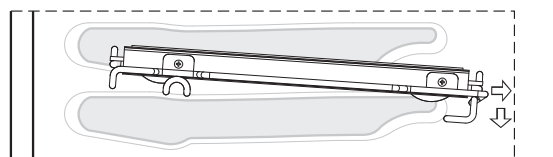


Mise en place dans le four:

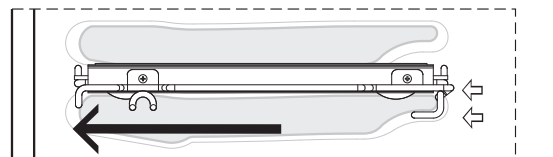
1. Saisir la grille fermement par les côtés. Placer la grille et le cadre au-dessus du guide de grille désiré



2. Pousser au fond jusqu'à ce que l'arrière de la grille se mette en position



3. Tirer les deux sections vers l'avant jusqu'à la butée. La grille doit être droite et non croche



Réglage de la pendule et la minuterie

L'heure est affichée en heures et en minutes.

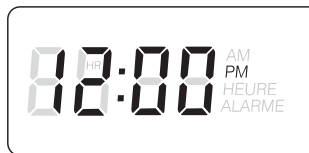
Réglez toujours la pendule immédiatement après une installation ou une coupure de courant. Quand le courant revient, la pendule affiche 12:00^{AM}.

L'heure apparaîtra pendant toutes les fonctions du four sauf lorsque la minuterie ou une cuisson programmée est entrain de s'exécuter.

Le four est pré-réglé sur midi et il indique AM et PM.

Pour régler la pendule

1. Appuyez sur [HORLOGE]. Les heures vont clignoter et l'affichage va indiquer les inscriptions HRURE.
2. Appuyez sur [+] ou [-] pour régler l'heure voulue. Continuez jusqu'à ce que le correct AM ou PM soit choisi.
3. Appuyez sur [HORLOGE] de nouveau pour confirmer l'heure et les minutes vont commencer à clignoter.
4. Appuyez sur [+] or [-] pour régler les minutes, tenez la touche pour changer par pas de 10 minutes.
5. Appuyez sur [Horologe] encore pour confirmer l'heure ou attendez 5 secondes.



Ce qui sui s'affiche lorsque le mode édition est activé pour régler ou changer l'heure.



Pour régler la minuterie

1. Appuyez sur [MINUTERIE]. La minuterie ou les inscriptions ALARME vont apparaître sur l'affichage.
2. Appuyez sur [MINUTERIE] encore une fois. Les heures vont commencer à clignoter.
3. Appuyez sur [+] ou [-] pour régler l'heure.
4. Appuyez sur [MINUTERIE] encore une fois pour confirmer l'heure et les minutes vont commencer à clignoter.
5. Appuyez sur [+] ou [-] pour régler les minutes, maintenez la touche par pas de 10 minutes.
6. Appuyez sur [MINUTERIE] encore une fois pour confirmer ou attendez 5 secondes.
7. Le ALARME sera régulièrement affiché.
8. Lorsque le délai expire, le bip va sonner pendant 15 minutes ou jusqu'à ce que vous appuyiez sur le bouton.
9. Le format de la minuterie est d'habitude HR:MIN mais il devient MIN:SEC pendant la dernière minute.
10. La valeur de l'affichage est toujours arrondie à la minute inférieure.



Sélection du mode de four

Pour régler un mode de cuisson et température

- Les modes de cuisson peuvent être sélectionnés en déplaçant le bouton de mode de cuisson sur la position voulue. Pour choisir Nettoyage, il faut aussi déplacer le bouton de température sur la position Nettoyage.

ARRET

CONVECTION EUROPEENNE

CONVECTION GRILL

CONVECTION CUISSON

PRECHAUFFAGE RAPIDE

CUISSON

GRILL

DESHYDRATATION

AUTO NETTOYANT

- Sélectionnez la température voulue en déplaçant le sélecteur ou en le laissant sur la position PRE-SEL si la valeur proposée est bonne. La température peut être changée par étapes de 5°F ou 5°C.
- Dès que vous tournez le bouton, la commande affiche automatiquement la valeur sur le four correspondant. La boîte correspondante sera affichée.
- Le four va commencer à chauffer et la lumière du four s'allume.
- Le voyant de préchauffage va s'allumer. Lorsque le four est préchauffé, il va bipper et la lumière rouge s'éteint.
- Pour changer la température pendant une cuisson, tournez simplement le bouton de température jusqu'à ce que l'affichage indique la valeur voulue.
- Placez le sélecteur de mode de cuisson sur ARRET si vous voulez arrêter la cuisson.

Utilisation des lumières du four

- Une simple touche lumière active les lumières dans les deux fours.
- Si vous appuyez sur la touche ECLAIRAGE lorsque les deux fours sont éteints, les lumières vont s'allumer dans les fours supérieur et inférieur. Appuyez de nouveau sur la touche ECLAIRAGE, et les lumières des deux fours vont s'éteindre.
- Les lumières du four s'allument et s'éteignent automatiquement lorsque la porte est ouverte ou fermée.
- Lorsqu'un four est en marche, les lumières du four s'allumeront automatiquement lorsqu'un mode démarre. Les lumières du four s'éteindront automatiquement lorsque le mode four est annulé.
- Les lumières ne fonctionnent pas pendant l'auto-nettoyage.



Fonction de mode four minuté

- Assurez-vous que la pendule indique l'heure correcte.
- Le mode programmé éteint le four à la fin du temps de cuisson.

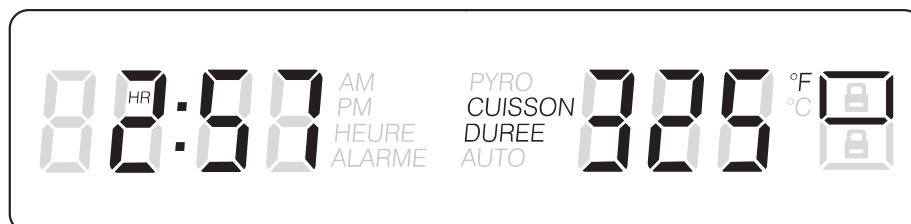
Pour régler le mode programme

1. Sélectionnez le mode de cuisson et la température grâce aux boutons.
2. Si nécessaire, changez la température par défaut maintenant en tournant le bouton.
3. Appuyez sur la touche [TEMPS CUISSON]. Les inscriptions CUISSON et DOREE vont s'afficher, ensuite le temps de cuisson et les chiffres de l'horloge vont se mettre à clignoter.
4. Appuyez sur [+] ou [-] pour changer les heures. Gardez à l'esprit que le temps nécessaire pour que le four atteigne la température doit être comprise dans le réglage du temps de cuisson.
5. Appuyez de nouveau sur [TEMPS CUISSON], les heures vont être confirmées et les minutes vont commencer à clignoter.
6. Appuyez sur [+] ou [-] pour changer les minutes. Maintenez la touche pour changer par pas de 10 minutes.
7. Appuyez de nouveau sur [TEMPS CUISSON] ou attendez quelques secondes pour confirmer toute la valeur de temps de cuisson.
8. À la fin du temps de cuisson programmé, le four s'éteindra automatiquement.

Pour différer le départ d'un mode programme

Suivez les étapes de 1 à 9 ci-dessous.

- Appuyez sur la touche [FIN CUISSON]. L'inscription *AUTO* va s'afficher, après le temps d'arrêt et les heures vont commencer à clignoter.
- Appuyez sur [+] ou [-] pour changer les heures.
- Appuyez de nouveau sur [FIN CUISSON], les heures seront confirmées et les minutes vont clignoter.
- Appuyez sur [+] ou [-] pour changer les minutes. Maintenez la touche pour changer par pas de 10 minutes..
- Appuyez de nouveau sur [FIN CUISSON] ou attendez quelques secondes pour confirmer toute la valeur de temps d'arrêt
- L'horloge calcule automatiquement le temps de la journée pendant lequel le mode démarre et s'arrête. Le temps de cuisson affiche le décompte par minute. Le four s'allume et chauffe jusqu'à la température pré-réglée, pour le temps d'heures et de minutes choisies.
- A la fin du temps de cuisson programmée, le four s'éteindra automatiquement. L'affichage indiquera **End** (fin) et le four va sonner. Un rappel de sonnerie continuera à sonner jusqu'à quinze minutes tant que vous n'appuyez sur aucune touche.
- Lorsqu'il est nécessaire de vérifier une durée qui n'est pas affichée, appuyez sur le bouton correspondant pour voir le chiffre voulu pendant 5 secondes.
- Exemple : si la valeur minutée est affichée, appuyez sur la touche de temps de cuisson pour voir le temps de cuisson pendant 5 secondes.



Conseils et technique de cuisson

La cuisson est une sorte de cuisson à air chaud. Les éléments supérieur et inférieur sont utilisés pour chauffer l'air mais le ventilateur n'est pas utilisé pour faire circuler la chaleur.

Suivez la recette ou les instructions pour la température de cuisson et la position de la grille. Le temps de cuisson varie avec la température des ingrédients et leur taille, leur forme et la finition du plat de cuisson.

Guides générales

- Pour de meilleurs résultats, cuisiner les aliments, cuisinez sur une simple grille avec au moins 1" - 1½" (2,5 – 3 cm) d'espace entre les plats et les parois du four.
- N'utilisez qu'une grille lorsque vous choisissez le mode cuisson.
- Vérifiez la cuisson au temps minimum.
- Utilisez des plats en métal (avec une finition antiadhésive ou non), en verre résistant à la chaleur, en verre céramique, en poterie ou d'autres plats appropriés au four.

- Lorsque vous utilisez un plat en verre résistant à la chaleur, réduisez la température de 25°F (15°C) par rapport à la température recommandée.
- Utilisez des plats avec ou sans bord.
- Des plats en métal foncé ou avec des finitions non adhésives cuiront plus vite en brunissant plus le métal. Des plats isolés ralentiront légèrement le temps de cuisson dans la plupart des cas.
- N'utilisez pas de feuille en aluminium ou de plateaux en aluminium. Une feuille est un excellent isolant de chaleur et donc la chaleur sera attrapée dessous. Cela altère la performance de cuisson et cela endommage la finition du four.
- Evitez de placer sur la porte ouverte des plats.
- Veuillez lire 58 Solution des problèmes de cuisson.

Tableau de cuisson

ALIMENTS	POSITION DE GRILLE	TEMP. °F (°C) (FOUR PRÉCHAUFFE)	TEMPS (MIN)
Gâteau			
Petits gâteaux	2	350 (175)	17-19
Gâteau bundt	1	350 (175)	37-43
Gâteau des anges	1	350 (175)	35-39
Tarte			
2 croûtes, fraîches, 9po	2	375-425 (190-220)	45-55
2 croûtes, fruits surgelés, 9po	2	375 (190)	68-78
Biscuit			
Sucre	2	350-375 (175-190)	6-11
Brisures de chocolat	2	350-375 (175-190)	8-13
Carrés au chocolat (brownies)	2	350 (175)	29-36
Pains			
Pain à levure, 9x5	2	375 (190)	18-22
Petits pains à levure	2	375-400 (190-205)	12-15
Biscuits	2	375-400 (190-205)	11-15
Muffins	2	425 (220)	15-19
Pizza			
Surgelée	2	400-450 (205-235)	23-26
Fraîche	2	425-450 (220-235)	12-15

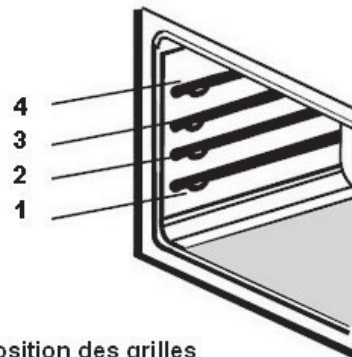
Conseils et techniques de convection européenne

Réduisez les températures de recette de cuisson de 25°F (15°C).

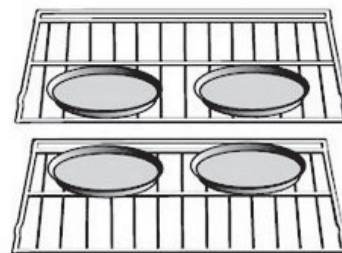
- Pour de meilleurs résultats, il faut cuire les aliments non couverts, dans des plats à bord bas pour mieux profiter de la circulation d'air forcé. Utilisez des plats en aluminium brillant pour de meilleurs résultats à moins que cela soit spécifié autrement.
- Le verre résistant à la chaleur et la céramique peuvent être utilisés. Réduisez encore la température de 25°F (15°C) si vous utilisez un verre résistant à la chaleur, donc une réduction totale de 50°F (30°C).
- Les plats en métal foncé peuvent être utilisés. Notez que la nourriture peut brunir plus vite lorsque vous utilisez un plat en métal foncé.
- Le nombre de grilles utilisées est déterminé par la hauteur des aliments à cuire.
- Les aliments cuits, en général, cuisent extrêmement bien avec la convection. N'essayez pas de convertir des recettes comme les crèmes anglaises, les quiches, les tartes à la citrouille, les tartes au fromage, qui ne tirent pas de bénéfice de la convection. Utilisez le mode de cuisson normal pour ces recettes.
- Plusieurs grilles de cuisson sont disponibles aux positions 1, 2 et 3. Les quatre grilles peuvent être utilisées pour des gâteaux, des biscuits et des biscuits apéritifs.
 - 2 grille de cuisson : Utilisez positions 1 et 3.
 - 3 grille de cuisson : Utilisez positions 2, 3 et 4.
 - Lorsque vous cuisez plusieurs gâteaux en même temps, distribuez les plats de telle façon qu'ils ne soient pas juste l'un au-dessus de l'autre. Pour de meilleurs résultats, placez les gâteaux devant sur la grille du dessus et à l'arrière sur la grille du dessous. (Voyez le dessin à droite). Laissez 1" - 1 ½" (2,5 - 3 cm).
- Convertir vos propres recettes peut être facile. Choisissez une recette qui marche bien en convection.
- Réduisez la température et le temps de cuisson si nécessaire. Il peut parfois y avoir des essais et des erreurs avant d'arriver au résultat parfait. Gardez des traces de votre technique pour la prochaine préparation à convection.
- Veuillez lire 58 Solution des problèmes de cuisson

Aliments recommandés pour le mode convection européenne :

Biscuits apéritifs Biscuits pour café Gâteaux
Biscuits (2 à 4 grilles) levure pains
Choux à la crème
Popovers
Casseroles et Entrées un plat
Plats à four (grille positions 1, 2, 3)
Aliments levés à la levure (Soufflés, Meringue,
Desserts garnis de meringue, Gâteaux ange, Gâteaux mousseline)



Position des grilles



Positions des modules plusieurs grilles

Conseils rapides et faciles de recette

Convertir de la **CUISSON** à la **CONVECTION EUROPÉENNE**:

- Réduisez la température de 25°F (15°C).
- Utilisez le même temps de cuisson que la cuisson normale si la durée est de 10 à 15 minutes.
- Les aliments avec un temps de cuisson de moins de 30 minutes doivent être vérifiés pour leur cuisson 5 minutes plus tôt que dans les recettes standard.
- Si la nourriture cuit plus de 40 - 45 minutes, réduisez le temps de cuisson de 25%.

Tableau de convection européenne

Réduisez la température standard des recettes de 25°F(15°C) pour la convection européenne
Les températures ont été réduites dans ce tableau.

ALIMENTS	POSITION DE GRILLE	TEMP. °F (°C) (FOUR PRÉCHAUFFE)	TEMPS (MIN)
Gâteau			
Petits gâteaux	2	325 (160)	17-19
Gâteau bundt	1	325 (160)	37-43
Gâteau des anges	1	325 (160)	35-39
Tarte			
2 croûtes, fraîches, 9po	2	350-400 (175-205)	45-55
2 croûtes, fruits surgelés, 9po	2	350 (175)	68-78
Biscuit			
Sucre	2	325-350 (160-175)	6-11
Brisures de chocolat	2	325-350 (160-175)	8-13
Carrés au chocolat (brownies)	2	325 (160)	29-36
Pains			
Pain à levure, 9x5	2	350 (175)	18-22
Petits pains à levure	2	350-375 (175-190)	12-15
Biscuits	2	350-375 (175-190)	11-15
Muffins	2	400 (205)	15-19
Pizza			
Surgelée	2	375-425 (190-220)	23-26
Fraîche	2	400-425 (205-220)	12-15

Ce tableau est un guide. Suivez votre recette ou les directions de l'emballage et réduisez les températures de façon appropriée.

Conseils et techniques de convection cuisson

- Préchauffez le rôtissage à convection.
- Rôtissez dans un plat peu profond et non couvert.
- Lorsque vous rôtissez des poulets entiers ou des dindes, groupez les ailes et attachez légèrement les pattes avec une ficelle de cuisine.
- Utilisez le plat de grill 2-pièces pour les rôtissages non-couverts.
- Utilisez la sonde ou le thermomètre pour déterminer la cuisson intérieure sur la température "END" (fin) (voir le tableau de cuisson) .
- Vérifiez de nouveau la température de la viande/ volaille en insérant le thermomètre à viande dans une autre position.
- Lorsque vous rôtissez un gros rôti ou une dinde, il faut parfois tourner le plat pendant le temps de rôtissage. Cela permet de rôtir plus uniformément. Les gros oiseaux peuvent aussi devoir être couverts de feuille (et les plats rôtis) pendant une partie du temps de rôtissage pour que le met ne brûle pas.

Conseils de recettes faciles et rapides

Conversion de la **CUISSON**
au **CONVECTION CUISSON:**

- Les températures ne doivent pas être diminuées.
- Les rôtis, les gros morceaux de viande et de volaille prennent généralement de 10 à 20% moins de temps. Vérifiez la cuisson plus tôt.
- Casseroles ou plat à rôti qui sont cuits couverts par ROTISSAGE A CONVECTION cuiront le même temps que
- La température minimum de sécurité pour la farce dans la volaille est de 165°F (75°C).
- Après avoir enlevé le plat du four, couvrez-le partiellement de feuille pendant 10 à 15 minutes avant de le couper.
- Lorsqu'il est couvert, la température du rôti augmente de 5°F à 10°F (3° à 6°C).

Tableau de convection cuisson

VIANDES	POIDS (lb)	TEMP. FOUR °F (°C)	POSITION GRILLE	TEMPS RÔTISSAGE (min. per lb)	TEMP. INTERNE °F (°C)
Boeuf					
Côte de boeuf	4-6	325 (160)	2	24-30 27-33	145 (63) med saignant 160 (71) médium
Rosbif de faux-filet (sans os)	4-6	325 (160)	2	22-30 27-33	145 (63) med saignant 160 (71) médium
Pointe de surlonge (sans os)	3-6	325 (160)	2	22-28 27-33	145 (63) med saignant 160 (71) médium
Filet	2-3	425 (220)	2	15-25	145 (63) med saignant
Porc					
Longe de porc (sans os ou avec os)	5-8	350 (175)	2	20-30	160 (71) médium
Épaule	3-6	350 (175)	2	25-35	160 (71) médium
Volaille					
Poulet-entier	3-4	375 (190)	2	18-21	180 (82)
Dinde non farcie	12-15	325 (160)	1	10-14	180 (82)
Dinde non farcie	16-20	325 (160)	1	9-11	180 (82)
Dinde non farcie	21-25	325 (160)	1	6-10	180 (82)
Poitrine	3-8	325 (160)	1	15-20	170 (77)
Poulet de Comouailles	1-1 ½	350 (175)	2	45-75 total	180 (82)
Agneau					
Demi gigot	3-4	325 (160)	2	25-30 30-35	160 (71) médium 170 (77) bien cuit
Gigot entier	6-8	325 (160)	1	25-30 30-35	160 (71) médium 170 (77) bien cuit

Conseils et techniques pour le convection grill

- Placez le gril dans la position appropriée avant d'allumer votre four.
- Utilisez le gril à convection avec **la porte fermée**.
- Ne pas préchauffé pour le four.
- Utilisez le plat de rôtissage à 2-pièces.
- Tourner les viandes une fois à mi-cuisson du temps de cuisson recommandé (voir le tableau de gril à convection).

Tableau de convection grill

ALIMENTS ET ÉPAISSEUR	POSITION DE GRILLE	REGLAGE DU GRIL °F (°C)	TEMP. INTERNE °F (°C)	TEMPS CÔTÉ 1 (MIN.)*	TEMPS CÔTÉ 2 (MIN.)*
Beuf					
Steak (1-1/2po ou plus)					
Médium saignant	2	450 (235)	145 (65)	12-14	11-13
Médium	2	450 (235)	160 (71)	15-17	13-15
Bien cuit	2	450 (235)	170 (77)	18-20	16-17
Hamburgers (plus que 1 po)					
Médium	3	550 (290)	160 (71)	9-11	5-8
Bien cuit	3	550 (290)	170 (77)	11-13	8-10
Volaille					
Poitrine (avec os)	3	450 (235)	180 (82) (Cuisse)	16-18	14-16
Cuisses	3	450 (235)	170 (77)	14-16	12-14
Porc					
Porc Cotelettes (1 1/4po ou plus)	2	450 (235)	160 (71)	12-14	13-15
Saucisses fraîches	3	450 (235)	160 (71)	4-6	3-5

* Temps de gril à convection sont approximatifs et peuvent varier

Conseils et techniques de déshydratation

- On peut déshydrater des aliments en utilisant le mode déshydratation. Une température plus faible est utilisée et l'air chauffé circulant enlève doucement l'humidité pour préserver la nourriture.
- La température en mode déshydratation est préprogrammée à 140°F (60°C).
- Les températures du mode déshydratation possibles sont de 120°F (50°C) à 160°F (70°C).
- Plusieurs grilles peuvent être utilisées en même temps.
- Certains aliments requièrent 14/15 heures pour complètement se déshydrater.
- Consultez un livre sur la conservation des aliments pour les temps spécifiques et la conservation de certains aliments.
- Ce mode est approprié pour des fruits, des légumes, des herbes et des morceaux de viande.
- Des écrans de séchage peuvent être achetés dans les magasins spécialisés.
- En utilisant des feuilles de papier, une certaine humidité peut être absorbée avant la déshydratation (comme des morceaux de tomate ou de pêche).

Tableau de grillade à déshydratation

ALIMENT	PRÉPARATION	TEMPS DE SECHAGE APPROX.* (heures)	VERIFIER LA CUISSON
Fruit			
Pommes	Dans jus de citron ¼ t. et 2 t. d'eau, tranches ¼po	11-15	Légèrement pliables
Bananas	Dans jus de citron ¼ t. et 2 t. d'eau, tranches ¼po	11-15	Légèrement pliables
Cerises	Laver et assécher à la serviette. Pour les cerises fraîches, dénoyauter	10-15	Piables, tannees, moelleuses
Pelures d'orange et tranches	¼Po d'épaisseur ; partie de la pelure finement pelée	Peels 2-4 Slices: 12-16	Orange pelee, séchée et cassante. Tranches : sèches et cassantes, fruitm légèrement humide
Tranches d'ananas	Séchées a la serviette	Canned: 9-13 Fresh: 8-12	Souples et pliables
Fraises	Lavées et sechées à la serviette. Tranches ½po d'épaisseur, dessus sur la grille	12-17	Sèches et cassantes
Légumes			
Poivrons	Lavées et sechés à la serviette. Retirer la membrane, grrsièrement couplés environ 1po	16-20	Cassants sans humidité à l'intérieur
Champignons	Lavées et sechés à la serviette. Couper la tige. Morceaux de 1/8po	7-12	Fermes et cassant, secs
Tomates	Lavées et sechés à la serviette. Tranches minces 1/8po d'épaisseur. Bien drainer	16-23	Sèches, rouge
Fines herbes			
Origan, sauge, persil et thym, et fenouil	Rincer et assécher à la servette	Sécher à 120°F (60°C) de 3 à 5 heures	Croustillant et cassant
Basilique	Feuilles 3 à 4po du haut. Vaporiser d'eau, secouer et assécher	Sécher à 120°F (60°C) de 3 à 5 heures	Croustillant et cassant

Conseils et techniques de grill

- Placez le grill dans la position appropriée avant d'allumer votre four.
- Utilisez le grill à convection avec **la porte fermée**.
- Ne pas préchauffé pour le four.
- Utilisez le plat de rôtissage à 2-pièces.
- Enduisez les viandes d'huile de cuisson ou du beurre pour qu'elles n'attachent pas.
- Tourner les viandes une fois à mi-cuisson du temps de cuisson recommandé (voir le tableau grill).

Tableau de grill

ALIMENTS ET ÉPAISSEUR	POSITION DE GRILLE	REGLAGE DU GRIL	TEMP. INTERNE °F (°C)	TEMPS CÔTÉ 1 (MIN.)*	TEMPS CÔTÉ 2 (MIN.)*
Beuf					
Steak (¾ à 1po)					
Médium saignant	3	5	145 (63)	5-7	4-6
Médium	3	5	160 (71)	6-8	5-7
Bien cuit	3	5	170 (77)	8-10	7-9
Hamburgers (¾ à 1po)					
Médium	3	5		7-9	5-7
Bien cuit	3	5	160 (71)	8-10	7-9
Volaille			170 (77)		
Poitrine (avec os)	3	3		14-16	14-16
Cuisses (bien cuit)	3	3	170 (77)	28-30	13-15
Porc			180 (82)		
Porc Cotelettes (1po)	3	5		7-9	5-7
Saucisses fraîches	3	5	160 (71)	5-7 3-5	
Tranche de jambon (½po)	3	5	160 (71)	3-5 4-6	
Seafood					
Fruits de mer	3	4	Cuire jusqu'à opacifié et que l'aliment se défasse facilement avec une fourchette	10-14	Ne pas tourner
Filets de poisson (1po)					
Beurrés					
Agneau					
Côtelettes (1po)					
Médium saignant	3	5	145 (63)	5-7	4-6
Médium	3	5	160 (71)	6-8	5-7
Bien cuit	3	5	170 (77)	8-10	7-9
Pain					
À l'ail (1po) tranches	4	5		2-2,30	
	3	5		4-6	

* Temps de grill à convection sont approximatifs et peuvent varier

Guide de température de service de la FSIS (Service d'inspection et securute des aliments USDA)

140°F(60°C)	Jambon précuit (pour réchauffer)	165°F(74°C)	Farce (seule ou dans une voaille)
145°F(63°C)	Bœuf, veau, agneau frais (médium saignant)		Restes, casseroles
160°F(71°C)	Viande hachee et melange de viande (bœuf, porc, veau, agneau)	170°F(77°C)	Bœuf, veau, agneau frais (bien cuit)
	Bœuf, veau, agneau frais (médium saignant)		Poitrine de volaille
	Porc frais (médium)		Porc frais (bien cuit)
	Jambon Frais (non cuit)	180°F(82°C)	Poulet et dinde (entier)
Platsaux oeufs	Volaille (cuisses, ailes)		
165°F(74°C)	Viande hachée et melange de viande (dinde, poulet)		Canard et oie

Remarque : oeufus (seuls,non dans une recette) - cuire jusqu'à ce que le jaune et le blanc soient fermes.

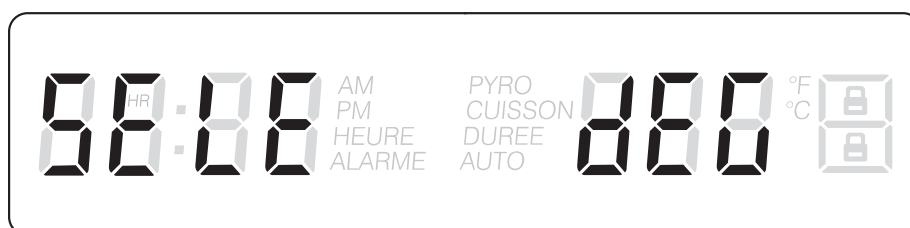
Options spéciales

Ces options spéciales de fonction peuvent être utilisées dans les options suivantes :

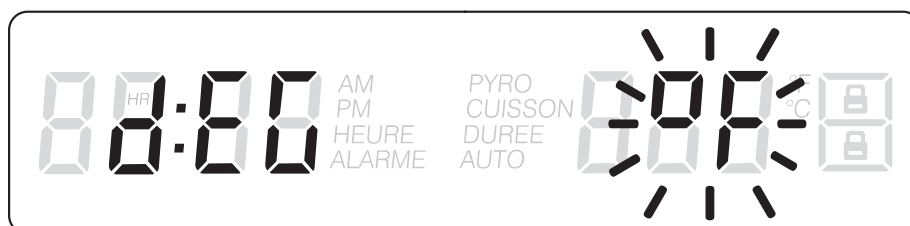
1. **SAB => MODE SABBAT** (pour les croyances religieuses nécessitant "aucun travail " le jour du sabbat)
2. **OFS => OVEN OFFSET** (décalage du four) (utilisé pour étalonner la température du four)
3. **dEG => °UNITE'** (utilisé pour choisir ou Fahrenheit ou Centigrade)
4. **Hr => FORMAT PENDULE** (format pendule) (utilisé pour régler l'heure de la journée dans le format 12 am/pm ou 24 heures).

Pour choisir les options spéciales, veuillez suivre les étapes suivantes :

Appuyez sur HORLOGE et MINUTERIE pendant au moins 3 secondes. L'heure de la pendule s'efface et l'écran suivant s'affiche.



1. Appuyez sur les touches INC ou DEC pour dérouler toutes les options disponibles jusqu'à celle recherchée.
2. Appuyez sur la touche HORLOGE pour entrer le mode de changement.
3. La valeur va clignoter, modifiez-la à l'aide des touches INC ou DEC.



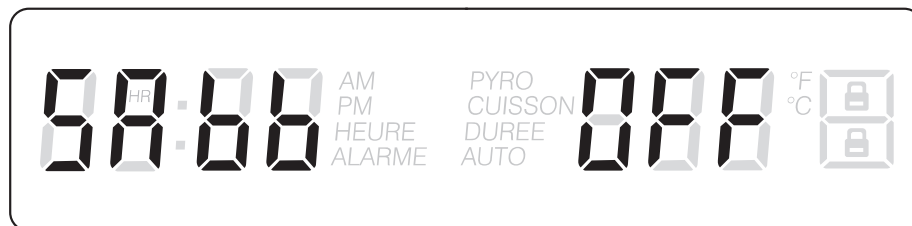
4. Gardez la touche HORLOGE appuyée pour confirmer et revenir à l'écran d'affichage initial.

Instruction du mode sabbat

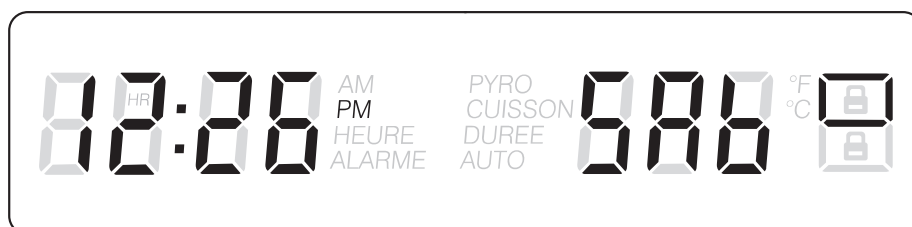
Entrez le menu option de l'utilisateur en maintenant les touches HORLOGE et MINUTERIE en même temps. Déroulez la liste des options dans les champs de données en rouge (dEG, OFF, Hr, Sab), en appuyant INC/DEC, jusqu'à ce que Sabbath s'affiche.



1. Appuyez sur HORLOGE pour entrer le mode édition : l'élément sélectionné change les données en vert sur la gauche et son statut dans les données rouges commencent à clignoter.



2. Appuyez à nouveau sur les touches INC/DEC pour régler le mode Sabbath sur ON ou OFF (par défaut=OFF). Appuyez sur HORLOGE pour confirmer et revenir sur la liste des options. Maintenez la touche HORLOGE pendant 3 secondes pour quitter le menu sélection et revenir aux fonctions normales.
3. Une fois que le mode Sabbath est sélectionné, uniquement les positions CUISSON et ARRET sont disponibles sur le sélecteur de mode de cuisson. Déplacez le sélecteur sur CUISSON ensuite réglez la température sur la valeur désirée dans les 5 minutes. Après 5 minutes, la température ne peut plus s'afficher et l'affichage apparaît comme ci-dessous : le mode Sabbath est activé.



- Les statuts des voyants du four ne peuvent pas être changés pendant le Sabbath.
- La température du four peut uniquement être baissée mais aucune information ne peut être affichée.
- Le ventilateur de refroidissement doit fonctionner pendant le mode Sabbath.
- Les voyants de préchauffage sont inactivés pendant le mode Sabbath.
- L'avertisseur doit toujours resté silencieux, sans prendre en considération les erreurs, une fin d'activité, etc.
- Le temps de cuisson maximum permis est de 72 heures.
- L'utilisateur peut arrêter le four manuellement, même pendant le Sabbath, en déplaçant le sélecteur de mode de cuisson sur la position ARRET.

Entretien du four et nettoyage

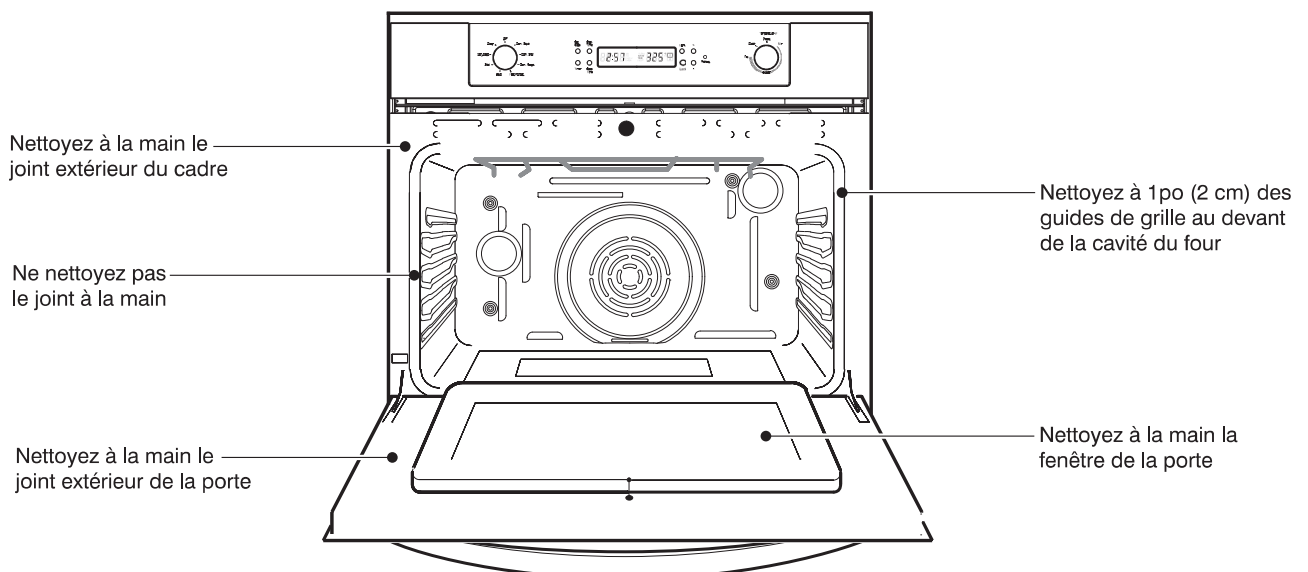
Auto-nettoyage du four

Ce four a un auto-nettoyage qui élimine les difficultés et les pertes de temps d'un lavage manuel de l'intérieur du four. Pendant l'auto-nettoyage, le four utilise une température très élevée (approx. 885°F/470°C) pour brûler les résidus de nourriture et la graisse.

- Il est normal de voir des fumées et/ou une flammèche occasionnelle pendant le cycle d'auto-nettoyage, selon le contenu et la quantité de résidus dans le four. Si une flamme persiste, éteignez le four et laissez-le se refroidir avant d'ouvrir la porte pour essuyer les résidus en surplus.
- Le loquet de la porte est automatiquement active après la sélection de l'auto-nettoyage. Le symbole de verrouillage de la porte va s'afficher. Cela assure que la porte ne peut pas être ouverte lorsque le four est en auto-nettoyage.
- Les lumières du four ne fonctionnent pas pendant ce mode.
- Pendant l'Auto-nettoyage, ventilez bien la cuisine pour éliminer les odeurs associées à l'auto-nettoyage. Les odeurs vont diminuer au fur et à mesure.
- La durée préprogrammée du nettoyage est de trois heures.
- Le mode s'arrête automatiquement à la fin des heures de nettoyage.
- Lorsque la température du four descend à une température plus sûre, le verrouillage automatique de la porte se déverrouille et la porte peut être ouverte.

Préparation du four pour l'auto-nettoyage

1. Enlevez tous les ustensiles et les plats.
2. Enlevez les grilles. Si vous laissez les grilles pendant l'auto-nettoyage, elles perdront définitivement leur brillant et deviennent sombres. Voyez le *Tableau de nettoyage du four* pour leur bon entretien, Pages 57 à 58.
3. Essuyez avec des serviettes en papier les résidus d'éclaboussure et d'huile. Les excès de graisse provoquent des flammes et de la fumée pendant l'auto-nettoyage.
4. Revoyez l'illustration ci-dessous. Certaines parties du four doivent être nettoyées à la main avant le début du cycle. Elles ne chauffent pas suffisamment pendant le cycle de nettoyage pour brûler. Utilisez une éponge savonneuse ou en plastique ou un tampon de détergent de S.O.S.®. Nettoyez à la main l'angle de la porte du four, le cadre avant du four et jusqu'à 1-1/2 po (2-3 cm) dans le cadre avec du détergent ou de l'eau chaude. Ne frottez pas le joint du four. Nettoyez à la main la fenêtre de la porte du four. Rincez tout et ensuite séchez.
5. Assurez-vous que les lumières intérieures sont éteintes et que les ampoules et les lentilles sont en place. Voyez les Page 60.



Réglage du mode auto-nettoyage

Pour régler le mode auto-nettoyage

1. Tournez les deux boutons sur la position nettoyage.
2. PYRO & DUREE apparaîtront.
3. Le nombre d'heures de nettoyage est affiché automatiquement, le temps de nettoyage standard est de 3 heures.
4. A la fin du temps de nettoyage programmé, le four va automatiquement s'éteindre.
5. Pour arrêter le mode nettoyage à tout moment, enlevez le ou les boutons de la position nettoyage.

N'essayez pas d'ouvrir la porte lorsqu'elle est verrouillée. Le symbole de verrouillage clignote jusqu'à l'arrêt du moteur. Lorsque le symbole de verrouillage est affiché, la porte ne peut pas être ouverte. Vérifiez que la porte a été verrouillée et ne s'ouvrira pas avant le démarrage de l'Auto-nettoyage.

Si la porte ne se verrouille pas, tournez le bouton de mode de cuisson sur la position ARRÊT et ne commencez pas l'auto-nettoyage ; Téléphonez pour un service.

Si la porte est une position ouverte lorsque ce mode est sélectionné, le symbole de verrouillage clignotera jusqu'à ce que la porte soit fermée. Le loquet ne bouge pas.

Pour changer le temps de nettoyage

1. Pour changer le réglage de 3 heures, sélectionnez moins d'heures lorsqu'il y a peu de résidus ou 4 heures lorsqu'il y a beaucoup de résidus immédiatement, après le début.
2. Pour changer les heures, appuyez sur la touche TEMPS CUISSON.
3. Le nombre d'heure va clignoter.
4. Utilisez les boutons INC ou DEC pour changer le nombre d'heures.

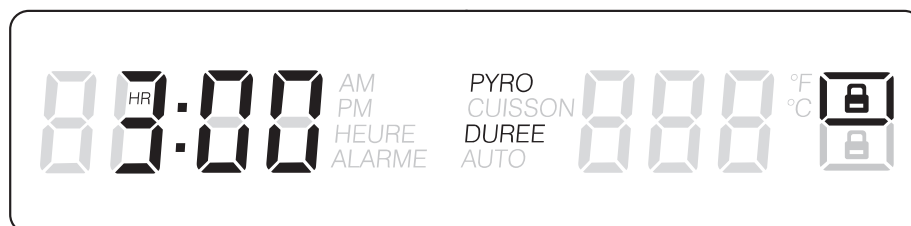
5. Pour changer les minutes, appuyez sur la TEMPS CUISSON.
6. Le nombre de minutes de nettoyage va clignoter.
7. Utilisez les boutons INC ou DEC pour changer le nombre de minutes. Maintenez la touche pour changer by 10 minutes.

Appuyez sur TEMPS CUISSON ou attendez quelques secondes pour confirmer la nouvelle valeur.

Pour retarder le début du nettoyage

1. Suivez les étapes 1 à 7 ci-dessous.
2. Appuyez sur la touche FIN CUISSON et l'heure pour arrêter va clignoter.
3. Utilisez les boutons INC ou DEC pour changer l'heure d'arrêt.
4. Pour changer les minutes, appuyez sur la touche FIN CUISSON.
5. Les minutes pour arrêter le nettoyage vont clignoter.
6. Utilisez les boutons INC ou DEC pour changer les minutes. Maintenez la touche par pas de 10 minutes.
7. Appuyez sur FIN CUISSON ou attendez quelques secondes pour confirmer la nouvelle valeur.
8. La porte du four va se verrouiller et indiquer AUTO.
9. Lorsque le temps de retard est fini, le nettoyage commence.
10. A la fin du programme de nettoyage, le four va automatiquement s'arrêter.
11. END (fin) s'affiche, PYRO & DUREE va clignoter jusqu'à ce qu'une touche soit appuyée ou que le bouton soit déplacé sur la position ARRÊT.

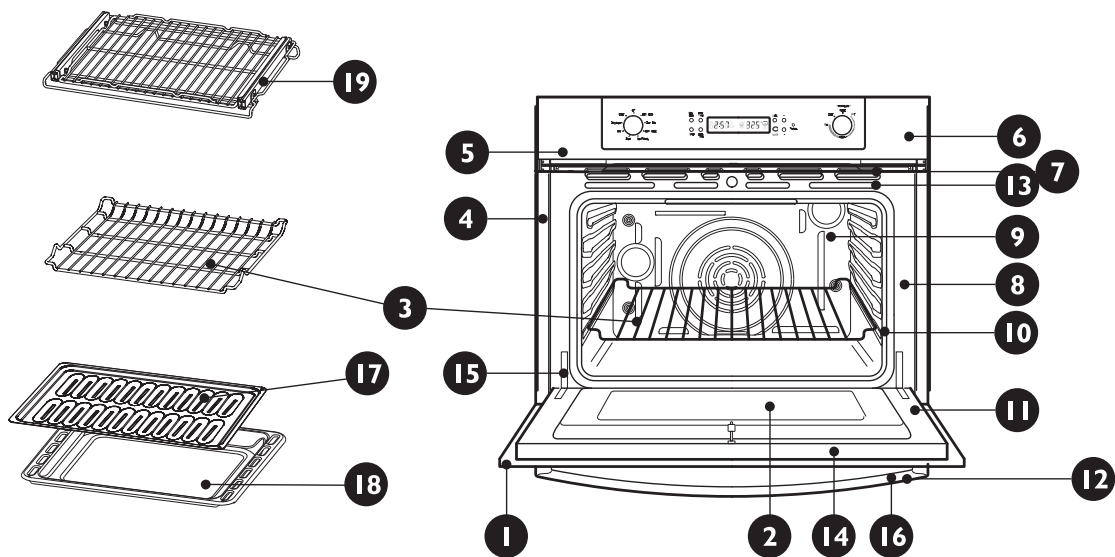
POUR VERIFIER LE TEMPS DE NETTOYAGE OU LE TEMPS D'ARRÊT **pendant un nettoyage retardé, appuyez simplement sur les boutons TEMPS CUISSON ou FIN CUISSON.**



Entretien général du four

Comment utiliser le tableau de nettoyage du four

1. Repérez le chiffre de la partie à nettoyer dans l'illustration de cette page.
2. Trouvez le nom de cette partie dans le tableau.
 - Utilisez la méthode de nettoyage dans la colonne de gauche si le four est noir ou blanc.
 - Utilisez la méthode de nettoyage dans la colonne de droite si le four est en acier inoxydable.
3. Faites concorder le chiffre avec la méthode de nettoyage de la page suivante.



Tabelau de nettoyage du four

Pièce		Méthode de nettoyage		Pièce		Méthode de nettoyage	
		Four noir/blanc	Four acier inoxydable			Four noir/blanc	Four acier inoxydable
1	Cadre de porte	E	E	11	Porte de four intérieure	E	E
2	Fenêtre de porte intérieure	F	F	12	Poignée de porte	D	D
3	Grilles de four démontable	A or E	A or E	13	Ouvertures de refroidissement de la porte	E	E
4	Habillage latérale	D	D	14	Porte avant	C&D	C&D
5	Habillage du tableau de commande	C	G	15	Habillage du four	D	D
6	Tableau de commande	C	C	16	End caps	D	D
7	Ouvertures de refroidissement du four	D	D	17	Grille de plat de grill	E	E
8	Cadre avant du four	E	E	18	Arrière de plat de grill	E	E
9	Cavité du four	E	E	19	Grille rallonge	A	A
10	Joint de maille	B	B				

Finitions du four / méthodes de nettoyage

Le four entier peut être nettoyé de façon sûre avec une éponge savonneuse, puis rincé et séché. Si des résidus excédentaires ne partent pas, suivez les méthodes de nettoyage ci-dessous.

- Utilisez toujours le chiffon le plus doux possible.
- Frottez les finitions en métal dans la direction du grain.
- Utilisez des chiffons, des éponges ou des tissus en papier doux et propres.
- Rincez le tout avec un minimum d'eau pour qu'elle ne coule pas dans les fentes de la porte.
- Essuyez pour éviter les traces d'eau.

Les nettoyeurs dans la liste ci-dessous indiquent les types de produits à utiliser ne sont qu'à titre indicatif. Utilisez tous les produits selon les indications de l'emballage.

<i>Pièce</i>	<i>Méthode de nettoyage</i>
A Chromé	Lavez avec de l'eau chaude savonneuse. Rincez et séchez soigneusement. Ou, frottez légèrement avec du Soft Scrub®, Bon-Ami®, Comet®, Ajax®, Brillo®, ou les chiffons S.O.S.®. Les nettoyeurs Easy Off® ou Dow Oven Cleaners® (formule four froid) peuvent être utilisés, mais ils peuvent noircir ou décolorer le chromé. Les grilles peuvent être nettoyées dans le four pendant l'auto-nettoyage. Cependant, elles vont perdre leur brillant et devenir grises de façon permanente.
B Tressage en fibre de verre	NE NETTOYEZ PAS LE JOINT A LA MAIN.
C Verre	Vaporisez du Windex® ou du Glass Plus® d'abord sur le chiffon, ensuite essuyez pour nettoyer. Utilisez du Fantastik® ou du Formula 409® pour enlever les éclaboussures de graisse.
D Peint	Nettoyez avec une eau savonneuse ou appliquez du Fantastik® ou du Formula 409® d'abord sur une éponge propre ou sur des feuilles en papier et essuyez pour nettoyer. Évitez d'utiliser des nettoyeurs en poudre ou des tampons métalliques à récurer.
E Porcelaine	Essuyez immédiatement les éclaboussures acides comme les jus de fruit, le lait, les tomates avec un chiffon sec. N'utilisez pas d'éponge/chiffon humide sur de la porcelaine chaude. Lorsqu'elle est froide, nettoyez avec de l'eau chaude savonneuse ou appliquez du Soft Scrub® ou du Bon-Ami® sur une éponge humide. Rincez et séchez. Pour les tâches récalcitrantes, utilisez doucement du Brillo®, ou les chiffons S.O.S.®. Il est normal que la porcelaine se craquèle très légèrement (de fines lignes) avec l'âge à cause des expositions à la chaleur et aux résidus alimentaires.
F Verre réfléchissant	Nettoyez avec de l'eau chaude savonneuse ou un nettoyeur en plastique. Frottez vigoureusement avec du vinaigre, du Windex®, de l'ammoniac, ou du Bon-Ami®. N'UTILISEZ PAS D'ABRASIFS FORTS.
G Acier inoxydable	Essuyez toujours avec un chiffon ou un nettoyeur avec grain. Nettoyez avec une éponge savonneuse ensuite rincez et séchez. Ou essuyez avec du Fantastik® ou du Formula 409® vaporisé sur des feuilles en papier. Protégez ou polissez avec du Stainless Steel Magic® et un chiffon doux. Enlevez les taches d'eau avec un chiffon imbibé de vinaigre blanc. Utilisez du Zud®, Cameo®, Bar Keeper's Friend® ou RevereWare Steel Cleaner®, pour enlever la décoloration due à la chaleur.
H Sonde (si existe)	Nettoyez la sonde à la main avec un détergent et de l'eau chaude. Ensuite rincez et séchez. Ne la trempez pas ou ne la mettez pas au lave-vaisselle.

Entretien à faire soi-même

Retrait de la porte du four

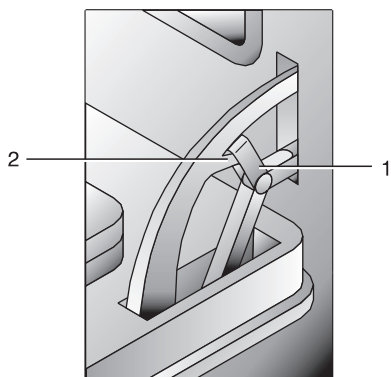
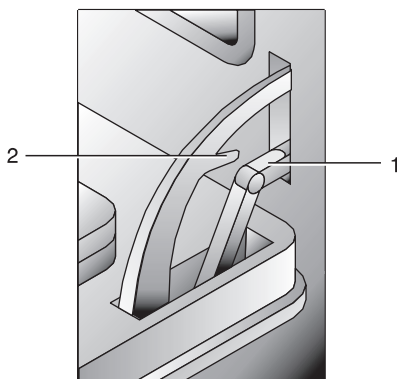


AVERTISSEMENT

- Assurez-vous que le four est froid et qu'il est bien éteint avant d'enlever la porte sinon vous pouvez vous électrocuter ou vous brûler.
- La porte du four est lourde et fragile. Utilisez vos deux mains pour enlever la porte du four. Le devant est en verre. Manipulez-la avec soin pour ne pas la briser.
- Ne saisissez que les côtés de la porte du four. Ne saisissez pas la poignée car elle pourrait glisser et provoquer des dégâts ou vous blesser.
- Si vous ne tenez pas la porte du four de façon sûre et correctement, cela pourrait provoquer des dégâts ou blesser des gens.

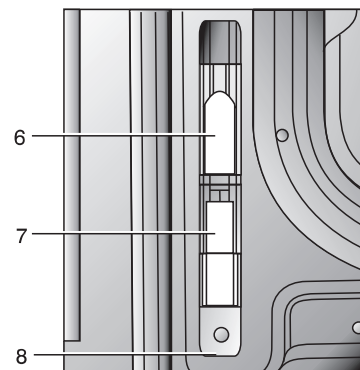
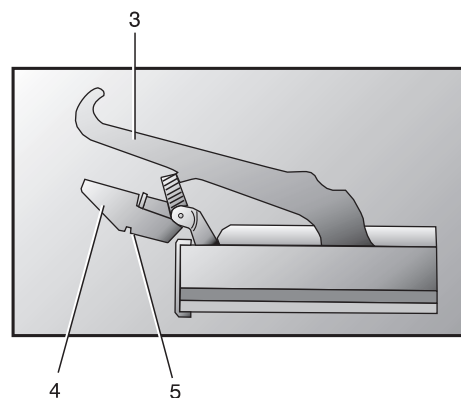
Pour enlever la porte

1. Ouvrez la porte complètement.
2. Soulevez les fixations de la charnière (1) de la fente (2).
3. Saisissez la porte fermement des deux côtés en utilisant les deux mains et fermez la porte.
4. Saisissez fermement ; la porte est lourde.
5. Placez la porte dans un endroit adéquat.



Pour remettre la porte

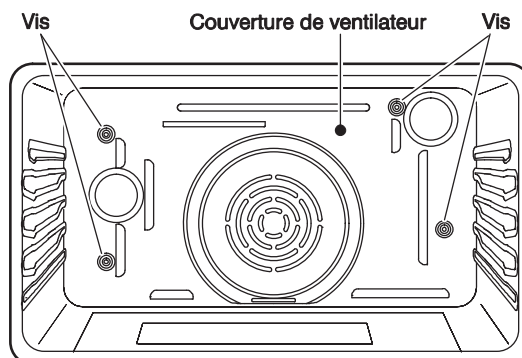
1. Insérez les bras de montant (3) des deux charnières dans les fentes supérieures (6) et les montants inférieurs (4) dans les fentes inférieures (7). Les interstices (5) doivent s'accrocher sur les lèvres (8).
2. Insérez les fixations de la charnière (1) vers le bas dans leur position.
3. Fermez et ouvrez la porte doucement pour vous assurer qu'elle est correctement mise en place.



Entretien à faire soi-même

Remplacement d'une ampoule du four

- Chaque four est équipé de deux halogènes situés sur la paroi du fond du four.
- Les lumières s'allument lorsque la porte est ouverte ou lorsque le four est dans un cycle de cuisson.
- Les lumières du four ne s'allument pas pendant l'AUTO - NETTOYANT.
- Chaque assemblage d'éclairage comprend une lentille amovible, une lampe à incandescence ainsi qu'une boîte de douille qui sont fixés. Voyez l'illustration de cette page.
- Le remplacement de l'ampoule est considéré comme un entretien de routine.



Pour remplacer une ampoule

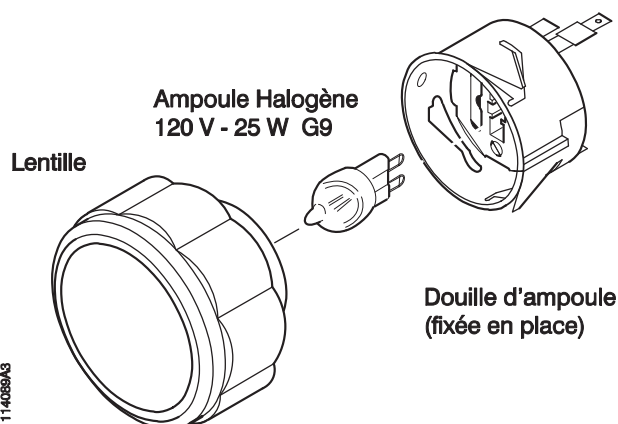
1. Lisez les AVERTISSEMENTS de cette page.
2. Coupez l'alimentation à la source principale (fusible ou disjoncteur).
3. Dans les fours à convection, enlevez le couvercle du ventilateur en dévissant les quatre vis.
4. Enlevez le couvercle en le dévissant.
5. Enlevez l'ampoule de sa douille en la tirant.
6. Remplacez l'ampoule avec une nouvelle. Évitez de toucher l'ampoule avec vos doigts, car la graisse des mains peut endommager l'ampoule lorsqu'elle devient chaude.
7. L'ampoule est de type halogène: employer un avec les memes Volt et Watt (**voir les figures de cette page**).
8. Vissez la lentille.
9. Remplacez le couvercle du ventilateur si le four en est pourvu.

Rebranchez l'alimentation principale à la source principale (fusible ou disjoncteur).



AVERTISSEMENT

- Assurez-vous que le four et que les lumières sont froides et que le four est bien éteint avant de remplacer les ampoules. Sinon vous risquez de vous électrocuter ou de vous brûler.
- Les lentilles doivent être remises en place lorsque vous utilisez le four.
- Les lentilles servent à protéger l'ampoule pour qu'elle ne se casse pas.
- Les lentilles sont en verre. Manipulez-les avec précaution pour éviter de les casser. Les verres cassés peuvent blesser.



Solution pour des problèmes de cuisson

Avec la cuisson comme la cuisson à convection, des problèmes de cuisson peuvent arriver pour de nombreuses raisons autre qu'un mauvais fonctionnement du four. Vérifiez le tableau ci-dessous qui répond à la plupart des problèmes communs. Etant donné que la taille, la forme et le matériel de cuisson affectent les résultats de la cuisson, la meilleure solution est de remplacer les vieux plats qui sont devenus sombres et qui se sont voilés avec le temps et leur utilisation. Vérifiez les tableaux de cuisson de la page 46 à 52 pour une position correcte des grilles et du temps de cuisson

<i>Problème de cuisson</i>	<i>Cause</i>
Aliment brunissant de façon hétérogène	<ul style="list-style-type: none"> • Four non préchauffé • Papier aluminium sur la grille ou au fond du four • Plat de cuisson trop grand pour la recette • Plat touchant aux autres plats ou la paroi du four
Aliment trop brun au fond	<ul style="list-style-type: none"> • Four non préchauffé • Utilisation de plat en verre, mat ou foncé • Position de grille incorrecte • Plat touchant aux autres plats ou la paroi du four
Aliment sec ou ayant excessivement rétréci	<ul style="list-style-type: none"> • Température du four trop élevée • Temps de cuisson trop long • Porte du four trop souvent ouverte • Plat trop grand
Aliment cuisant ou rôtissant trop lentement	<ul style="list-style-type: none"> • Température du four trop basse • Four non préchauffé • Porte du four trop souvent ouverte • Scellé hermétiquement avec du papier aluminium • Plat trop petit
Croûte à tarte non brunie au fond ou croûte non cuite	<ul style="list-style-type: none"> • Temps de cuisson pas assez long • Utilisation de plat en acier brillant • Position de grille incorrecte • Température du four trop basse
Gâteau pâle, plat, ou non cuit à l'intérieur	<ul style="list-style-type: none"> • Température du four trop basse • Temps de cuisson incorrect • Gâteau vérifié trop tôt • Porte du four trop souvent ouverte • Plat trop grand
Gâteau haut au centre avec craquelure sur le dessus.	<ul style="list-style-type: none"> • Température du four trop élevée • Temps de cuisson trop long • Plat touchant aux autres plats ou la paroi du four • Position de grille incorrecte • Plat trop petit
Bords de croûte de tarte trop bruns	<ul style="list-style-type: none"> • Température du four trop élevée • Bords de croûte trop minces

Résolution des problèmes de fonctionnement

Avant d'appeler l'assistance ou le service après-vente, veuillez bien vérifier la table suivant « Solution des problèmes ... ». Ceci peut vous faire économiser le coût d'un appel à un centre de service. Si vous avez cependant besoin d'aide, suivez les indications ci-dessous. Lorsque vous appelez, soyez prêt à indiquer la date d'achat, le modèle complet ainsi que le numéro de série de votre appareil. Ces informations nous permettront de mieux répondre à vos questions.

<i>Problème de four</i>	<i>Solution des problèmes par étape</i>
Erreur F03 ou F04 figurant à l'affichage	Il y a un problème avec le loquet de verrouillage. Eteignez le four et le rallumez après quelques secondes. Le four va effectuer un auto-test de loquet. Si le problème persiste, notez le code d'erreur et téléphonez au centre de service agréé.
Autre erreur F_____ figurant à l'affichage	Eteignez l'appareil et rallumez-le après quelques secondes. Si le problème persiste, notez le code d'erreur et téléphonez au centre de service agréé.
Le display du four ne s'éteint pas	Coupez l'alimentation à la source principale (fusible ou disjoncteur). Remettez le disjoncteur. Si le problème persiste, téléphonez au centre de service agréé.
Ventilateur de refroidissement continuant à fonctionner une fois le four éteint	Le ventilateur s'éteint automatiquement lorsque les composants électroniques sont suffisamment froids.
La porte est verrouillée et ne s'ouvre pas même après le refroidissement	Eteignez le four avec le disjoncteur et attendez quelques secondes. Remettez le disjoncteur. Le four devrait se régler seul et devrait fonctionner.
Le four ne chauffe pas	Vérifiez le disjoncteur et les fusibles de chez vous. Vérifiez que la température du four est correctement sélectionnée.
Le four ne cuit pas uniformément	Vérifiez l'étalonnage du four. Réglez l'étalonnage si nécessaire (reportez-vous au Décalage du four, Page 44). Reportez-vous aux tableaux de cuisson pour la position des grilles recommandée. Réduisez toujours votre recette de 25°F (15°C) lorsque vous cuisinez avec le mode de cuisson à convection.
La température four est trop froide ou trop chaude	Le thermostat du four doit être réglé. Voyez Etalonnage de la température du four, Page 44.
L'éclairage du four ne fonctionne pas correctement	Remplacez ou réinsérez l'ampoule si elle est desserrée ou en panne. Voyez Page 60. Ne touchez pas l'ampoule avec vos doigts car cela peut la faire griller.
L'éclairage du four ne s'éteint pas	Vérifiez que la porte du four n'est pas obstruée.
Impossibilité d'enlever le couvercle de la lentille du four	Il se peut qu'il y ait une accumulation de saleté autour du couvercle de la lentille. Essayez-le avec un chiffon sec et propre avant d'essayer d'enlever le couvercle de la lentille.
L'auto-nettoyage du four ne fonctionne pas correctement	Laissez le four refroidir avant l'auto-nettoyage. Essayez toujours les résidus ou les éclaboussures avant l'auto-nettoyage. Si le four est vraiment sale, réglez l'auto-nettoyage sur 4 heures. Voyez Préparation du four pour l'auto-nettoyage, Page 55.
La pendule et la minuterie ne fonctionnent pas correctement	Assurez-vous que le four est bien branché. Voyez Pendule et minuterie, Page 43.
Humidité excessive	Lorsque vous utilisez le mode cuisson, préchauffez d'abord le four. La cuisson à convection et le rôtissage à convection éliminent l'humidité du four (c'est un des avantages de la convection).
Eclats de porcelaine	Lorsque vous enlevez et remplacez les grilles, inclinez-les toujours vers le haut et ne forcez pas pour éviter les éclats de porcelaine.

Données de service

Pour un centre de service autorisé ou de l'information sur les pièces, voir le paragraphe « BLOMBERG Warranty .. ». L'emplacement du numéro de série sur le produit est visible sur la porte du four lorsque la porte du four est ouverte. Il est situé du côté gauche, centré verticalement juste en dessous de la cavité du four. Voyez Page 37. Notez cette information dans l'espace prévu à cet effet ci-dessous. Gardez votre facture pour la validation de votre garantie.

Numéro de modèle _____ Numéro de série _____ Date d'installation ou Occupancy _____

CLAUSES DE GARANTIE POUR LE BLOMBERG

Appareils de cuisson (fours muraux/plaques de cuisson)

Les garanties offerte par Blomberg dans ces clauses ne s'appliquent qu'aux appareils de cuisson Blomberg (four muraux / plaques de cuissons) vendus à l'acheteur de départ ou au propriétaire aux Etats-Unis et au Canada. Cette garantie n'est pas transférable.

Pour obtenir le service garantie, veuillez contacter notre distributeur le plus proche indiqué dans la liste par Etat **ou appelez le 1800-459-9848**. Vous devrez fournir le numéro de modèle de votre appareil de cuisson (fours muraux / plaques électriques), le numéro de série, le nom et l'adresse du fournisseur, le lieu et la date de l'achat / la date de l'installation.

Cette garantie vous donne des droits légaux spécifiques et vous pouvez également avoir d'autres droits qui varient selon les Etats.

Toutes les garanties énoncées ci-dessous sont fondées sur une utilisation domestique normale. L'utilisation du produit dans un contexte commercial annulera toutes les garanties.

Le service doit aussi être effectué par un agent agréé du service Blomberg.

Les défauts d'apparence doivent être signalés dans les 10 jours ouvrables après l'installation

1 an * de garantie à partir de la date de la première installation. Blomberg réparera ou remplacera sans frais pour le client tout élément défectueux de l'appareil de cuisson (fours muraux / plaques de cuisson)

Garantie limitée à 2 ans * ++ à partir de la date de la première installation (seulement pièces). Blomberg réparera et remplacera toute pièce sans frais pour le consommateur si le dommage ou le dysfonctionnement de ces pièces a été causé par des défauts matériels ou l'installation. Les frais de travail incombent au client

Garantie limitée à 2-5 ans * ++ à partir de la date de la première installation (seulement pièces). Blomberg réparera et remplacera tous *panneaux d'alimentation* **commandes électroniques** pièce sans frais pour le consommateur si le dommage ou le dysfonctionnement de ces pièces a été causé par des défauts matériels ou l'installation. Les frais de travail incombent au client

Dégagements de garanties et exclusions La garantie ne couvre pas les frais de service fourni par un agent agréé pour corriger l'installation, des problèmes électriques ou fournir des instructions sur l'utilisation des appareils de cuisson (fours muraux / plaques de cuisson). La garantie ne couvre pas non plus les défauts et dommages causés par des catastrophes naturelles (tempêtes, inondations, incendies, coulées de boue, etc.), les dommages causés par l'utilisation des appareils de cuisson (fours muraux / plaques de cuisson) à des fins autres que celles pour lesquelles ils ont été conçus, les utilisations erronées ou abusives, les accidents, altérations, l'installation incorrecte, la maintenance, les frais de transport, les appels au service en-dehors des heures normales de travail, le travail des agents non agréés.

L'appareil a été testé de manière exhaustive et est passé par des inspections de qualité officielles avant de quitter le lieu de production. Les termes de la garantie pour cet appareil domestique Blomberg ne sont pas valables si le produit est altéré, abîmé, modifié, si des pièces supplémentaires sont assemblées, fixées et réemballées par un service agréé, un prestataire de services, un fournisseur tiers, un revendeur ou d'autres personnes non-agrèées.

DANS LES LIMITES DE LA LOI, CETTE GARANTIE REMPLACE TOUTES LES GARANTIES EXPLICITES ET IMPLICITES, Y COMPRIS LES GARANTIES IMPLICITES DE MISE SUR LE MARCHÉ ET ADAPTATION A UN OBJECTIF PARTICULIER. BLOMBERG N'ASSUME PAR DE RESPONSABILITE CONCERNANT LA QUALITE DE CE PRODUIT AUTRE QUE CELLE FOURNIE DANS CES CLAUSES DE GARANTIE. BLOMBERG N'ASSUME PAS DE RESSONSABILITE CONCERNANT L'ADEQUATION DE CE PRODUIT A DES FINS PARTICULIERES AUTRES QUE CELLE NOTIFIEES DANS CES CLAUSES DE GARANTIE.

Blomberg n'assume aucune responsabilité pour des dommages accidentels ou indirects. De tels dommages incluent la perte de bénéfices, la perte d'économies ou de revenu, la perte d'utilisation de l'appareil de cuisson ou de tout équipement associé, les frais du capital, les frais de tout matériel de substitution, les installations ou services, le temps dépensé, les réclamations de parties tiers et les dommages à la propriété, mais ne sont pas limités à ces exemples. Du fait que certains Etats n'autorisent pas l'exclusion ou la restriction des dommages accidentels ou indirects, les restrictions ou exclusions peuvent ne pas s'appliquer à vous.

* la date d'installation doit faire référence soit à la date d'achat, soit à un délai de 5 jours ouvrables après la livraison du produit à domicile, selon la date la plus tardive.

++Les pièces remplacées seront identiques aux pièces originales + à leur garantie originale.

Pas d'autres garanties. Ces clauses de garantie constituent la garantie complète et exclusive du fabricant. Aucun employé de Blomberg ou d'une autre partie n'est autorisé à ajouter des clauses de garantie à celle mentionnée dans cette déclaration de garantie.

Veuillez conserver cette carte de garantie, le manuel de l'utilisateur et votre ticket d'achat pour une utilisation future.

COMMENT OBTENIR LE SERVICE

Veuillez contactez le distributeur pour votre Etat ou Province, comme indiqué sur la liste des coordonnées des distributeurs ou appeler notre numéro gratuit au 1 800 459 9848 pour obtenir les références d'un service agréé Blomberg. 02 01

Tabela de Contenido

	Página		Página
Precauciones de seguridad	66	Consejos y técnicas de grill de convección	81
Instrucciones de seguridad	67	<i>Tabla de grill de convección</i>	81
<i>Precauciones de seguridad para el horno</i>	67	Consejos y técnicas del asado de convección	82
<i>Precauciones de seguridad para la autolimpieza del horno</i>	67	<i>Tabla de asado de convección</i>	82
Cocinar con hornos de convección	68	Consejos y técnicas de deshidratado	83
<i>Ventajas de cocinar por convección</i>	68	<i>Tabla de deshidratado</i>	83
Características de su horno	69	Consejos y técnicas del asado	84
Paneles de control	70	<i>Tabla de asado</i>	84
<i>Mandos</i>	70	Pautas e seguir para la temperatura de alimentos de FSIS	84
<i>Pantallas</i>	70	Características especiales	85
<i>Perillas</i>	70	Instrucciones del modo sábado	86
Modos del horno	71	Cuidado y limpieza del horno	87
Generalidades del horno	72	<i>Autolimpieza del horno</i>	87
Consejos generales para el horno	73	<i>Antes de la autolimpieza</i>	87
Configurar el reloj y el temporizador	75	Configuración del modo de Autolimpieza	88
<i>Para configurar el reloj</i>	75	<i>Para configurar el modo de autolimpieza</i>	88
<i>Para configurar el temporizador (timer)</i>	75	<i>Para cambiar el tiempo de limpieza</i>	88
Selección de los modos del horno	76	<i>Para retardar el inicio de la limpieza</i>	88
<i>Para configurar el modo de cocinar y temperatura</i>	76	Cuidado general del horno	89
<i>Uso de las lámparas del horno</i>	76	<i>Cómo usar la tabla de la limpieza del horno</i>	89
Modos cronometrados de cocinar	77	<i>Tabla de limpieza</i>	89
<i>Para configurar el modo cronometrado</i>	77	Acabados del horno / métodos de limpieza	90
<i>Para retrasar el inicio del modo cronometrado</i>	77	Quitar la puerta del horno	91
Consejos y técnicas de horneado	78	Cambiar una lámpara del horno	92
<i>Tabla de cocción por horneado</i>	78	<i>Para reemplazar la bombilla</i>	92
Consejos y técnicas de horneado de convección	79	Resolución de los problemas de horneado	93
<i>Tabla de horneado de convección</i>	80	Resolución de los problemas de funcionamiento	94

BLOMBERG GARANTÍA para electrodomésticos 95

**IMPORTANTE****Electrodoméstico y horno
Precauciones de seguridad**

Por favor, lea todas las instrucciones antes de utilizar este aparato.

**Advertencia**

Su nuevo horno Bosh se ha diseñado para ser un aparato seguro y fiable si se usa de la manera apropiada. **Lea atentamente todas las instrucciones antes de utilizar este aparato. Estas precauciones reducirán los riesgos de sufrir quemaduras, descargas eléctricas, fuego y lesiones. Cuando se utilizan aparatos de cocina es preciso seguir algunas precauciones básicas de seguridad, incluyendo las siguientes:**

Un técnico cualificado tiene que instalar correctamente este aparato y realizar una buena puesta a tierra. Conecte solo a una puesta a tierra apropiada. Vea las instrucciones de Conexión de puesta a tierra que se encuentran en las Instrucciones de Instalación.

- Solo un técnico calificado debe dar el servicio a este aparato. Póngase en contacto con el centro de servicio autorizado más cercano para la inspección, reparación y ajustes.
- No repare o reemplace ninguna parte del horno a menos que le haya sido recomendado específicamente. Solicite el servicio de un centro autorizado.
- No utilice esta unidad si no funciona bien o si está dañada hasta que un técnico del servicio autorizado la haya inspeccionado.
- Instale o coloque este aparato de acuerdo con las instrucciones de instalación.
- Use este horno solo para lo que lo ha concebido su fabricante. Si tiene alguna duda, contacte con él.
- No cubra ni bloquee las aberturas de este aparato.
- Use este aparato solo para el uso para el que ha sido concebido como se describe en este manual. No use productos químicos corrosivos, vapores, productos inflamables o no alimenticios en este aparato. Este tipo de horno ha sido diseñado específicamente para calentar o cocinar alimentos. No está diseñado para uso industrial o de laboratorio. El uso de productos químicos corrosivos cuando calienta o limpia el horno dañará el aparato.
- En el caso de encenderse la ropa o el cabello, **ÉCHESE AL PISO y DESE VUELTAS DE INMEDIATO** para apagar las llamas.

- No permita que los niños utilicen este aparato sin la supervisión de un adulto. Los niños y animales domésticos no deben quedarse solos cerca del horno cuando se está utilizando el aparato. No permita nunca que los niños se sienten o se pongan de pie sobre ninguna parte del horno.

**PRECAUCIÓN**

- No deje cosas que puedan atraer la atención de los niños encima del horno. Si se suben al horno para alcanzar estas cosas podrían sufrir graves daños.

Para reducir el riesgo de fuego en el interior del horno:

1. No guarde materiales inflamables en el interior o cerca del horno.
2. No use agua cuando se produce un incendio de grasa. Apague el fuego con un extintor químico de polvo o espuma.
3. Se recomienda tener un extintor a mano y muy a la vista cerca de cualquier electrodoméstico, que se pueda usar rápidamente.
4. No recueza demasiado los alimentos. Vigile el horno con cuidado cuando utiliza materiales de papel, plástico u otros materiales combustibles.
5. No utilice el horno para almacenar cosas. Nunca deje productos de papel, utensilios de cocina o alimentos en su interior cuando no se usa.
6. En caso de que se enciendan materiales dentro del horno, mantenga cerrada la puerta. Apague el horno y desconecte el circuito en la caja del cortacircuito.
7. No obstruya los conductos de ventilación del horno.
8. Asegúrese de que funciona el ventilador cuando el horno está funcionando. En caso contrario no utilice el horno. Llame a un centro de servicio autorizado.
9. Nunca utilice el horno para calentar una habitación. Esto podría dañar partes del horno.
10. Use ropa apropiada por cuestión de seguridad. Nunca use prendas sueltas o que tengan mangas largas mientras utiliza este aparato.

**IMPORTANTE****Electrodoméstico y horno**
Instrucciones de seguridad**Precauciones de seguridad para el horno**

- Mantenga recogido el cabello largo.
- No toque elementos de calentamiento o superficies internas del horno.
- Los elementos de calentamiento podrían estar calientes incluso si presentan un color oscuro. Las superficies internas del horno podrían estar lo suficientemente calientes como para causar quemaduras.
- Durante y después del uso, no permita que la ropa u otros materiales inflamables entren en contacto con los elementos de calentamiento o con las superficies internas del horno hasta que no se hayan enfriado.
- La moldura de la parte superior y de los lados de la puerta del horno podría estar lo suficientemente calientes como para provocar quemaduras.
- Tenga cuidado cuando abra la puerta del horno. Abra la puerta ligeramente para dejar escapar el aire o el vapor caliente antes de sacar los alimentos.
- No caliente recipientes de alimentos cerrados. La presión acumulada podría hacer reventar el recipiente o provocar lesiones.
- Coloque siempre las rejillas del horno en el lugar deseado mientras el horno esté frío. Si tiene que mover una rejilla cuando el horno está caliente, evite el contacto del asa de la olla con los elementos calientes.
- Use siempre asas secas para las ollas. Las asas mojadas o húmedas sobre superficies calientes pueden provocar quemaduras por el vapor. Evite el contacto de las asas con los elementos de calentamiento. No use toallas o trapos voluminosos.

Precauciones de seguridad para la autolimpieza del horno

- Confirme que la puerta se cierra y que no se abre un vez que ambas perillas están en la posición de LIMPIEZA y aparece el icono de puerta cerrada. Si la puerta no estuviera cerrada, gire el selector de modo de cocción en OFF y no ejecute la autolimpieza. Llame al número del Servicio.
- No limpie los empaques de la puerta. Es esencial para un buen sellado. Preste atención a no frotar, dañar, mover o quitar el empaque de la puerta.
- No use detergentes comerciales para hornos o recubrimientos de protección de ningún tipo por encima o alrededor de cualquier parte del horno.
- Limpie solo las partes del horno que aparecen listadas en este manual.
- Quite la bandeja de asado, las rejillas del horno, los otros utensilios y limpie los derrames excesivos de alimentos antes de autolimpiar el horno.

**ADVERTENCIA**

La Ley del Estado de California respecto al Agua Potable y Tóxicos requiere que las empresas adviertan a sus clientes de la exposición potencial ante sustancias conocidas que provocan cáncer, defectos de nacimiento u otros daños de reproducción.

La eliminación de residuos durante la autolimpieza genera algunos derivados que están en esta lista de sustancias.

Para reducir la exposición a estas sustancias, siempre haga funcionar este horno siguiendo las instrucciones de este manual y ventile la cocina durante e inmediatamente después de la autolimpieza.

Cocinar con hornos de convección

En un horno de convección, la fuente de calor realiza ciclos de encendido y apagado para mantener una temperatura media en el interior del horno. Como la temperatura se alza o desciende gradualmente, se producen suaves corrientes de aire en el horno. Esta convección natural tiende a ser ineficiente porque las corrientes son irregulares y suaves. En este sistema de convección, el calor se “transporta” por medio de un ventilador que suministra la circulación continua de aire caliente.

Este sistema de convección europeo suministra la energía de vanguardia y el diseño avanzado para producir el mejor horno de convección. En los hornos de convección estándar, un simple ventilador hace circular el aire caliente alrededor de los alimentos. El sistema se caracteriza por la combinación de un elemento de calentamiento adicional colocado alrededor del ventilador de convección y de un panel de ventilación que distribuye aire caliente en tres dimensiones: a lo largo de los costados, por la parte de arriba y por la parte más baja del interior del horno. Este sistema de Convección europeo ayuda a mantener una temperatura incluso mejor a lo largo de la cavidad del horno.

El aire que circula ayuda a realizar el proceso de horneado y de cocción de los alimentos más uniformemente. Al controlar el movimiento del aire caliente, la cocción por convección produce alimentos dorados más uniformemente que son crujientes por la parte de fuera y jugosos dentro. La cocción por convección trabaja mejor tanto para panes y pastelerías como para carnes o aves. Alimentos que suben por medio de aire caliente como el bizcocho ángel, los suflés y las bombas de crema suben más que en los hornos convencionales. Las carnes se mantienen jugosas y tiernas, y por fueran son sabrosas y crujientes.

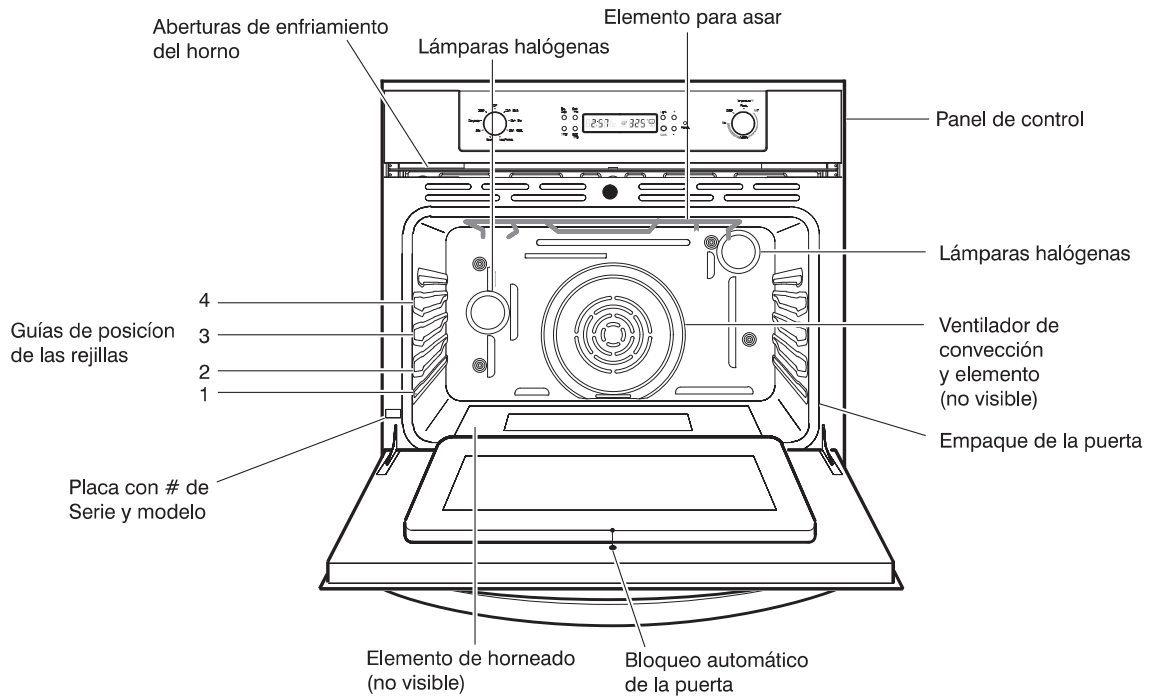
Si utiliza la Convección europea los alimentos se pueden cocinar a una temperatura más baja y los tiempos de cocción se reducen. Cuando se utiliza este modo, la temperatura estándar puede bajarse de 25°F (15°C).

Los alimentos que requieren un tiempo de cocción menor pueden controlarse ligeramente antes de lo normal. Para obtener resultados mejores, los alimentos deberían cocinarse descubiertos, en cazuelas de lados bajos para poder aprovecharse de la circulación del aire forzado. Cuando se usa el Grill de convección, la temperatura estándar del horno no necesita reducirse.

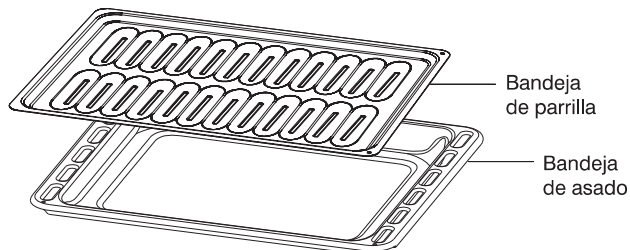
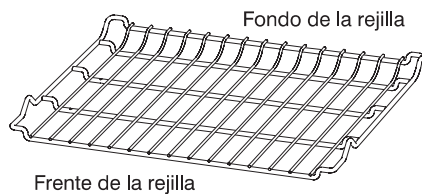
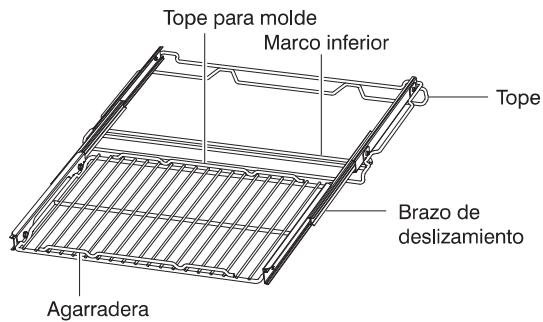
Ventajas de cocinar por convección

- Incluso horneando, se logran alimentos dorados y crujientes.
- Durante el asado, los jugos y aromas quedan sellados en el interior mientras que el exterior es crujiente.
- La masa de levadura es más ligera, presentan una textura más uniformes, más dorados y crujientes.
- Los alimentos que suben mucho como los bollos de crema, los suflés, merengues se elevan más y son más ligeros.
- Es posible cocinar al mismo tiempo con múltiples rejillas sin transferir el sabor con buenos resultados.
- Cocinar con múltiples rejillas ahorra tiempo.
- Prepara comidas completas de una sola vez sin transferir los sabores.
- Verduras deshidratadas, frutas y vegetales.
- No precisa moldes para horneados especiales.
- Ahorra tiempo y energía.
- La convección que asa permite el asado a la parrilla extraordinario con cortes más gruesos del alimento.

Características de su horno



Rejilla extensible (SI PRESENTE)



Paneles de control

La interfaz del usuario tiene las siguientes características: pantalla, indicadores luminosos de precalentamiento, interruptores de control, perillas de modo de cocción y temperatura.



Mandos

[SET CLOCK]: pulse este botón para configurar o cambiar la hora del día.

[TIMER]: pulse este botón para configurar o borrar el temporizador.

[COOK TIME o COOK]: pulse este botón para configurar o cambiar la duración de la actividad de cocción.

[STOP TIME o STOP]: pulse este botón para configurar o cambiar el tiempo de acabado en un modo de cocinar programado o retardado.

- En el caso de que se haya pulsado uno de los botones precedentes y los dígitos del tiempo parpadeen, pulse y/o mantenga pulsados los siguientes botones para cambiar los valores.

[LIGHT]: pulse este botón para encender o apagar las luces.

[LOCK] (horno individual): mantenga pulsado ese botón con [+] para actuar el bloqueo de seguridad.

[INCREMENT] [+]: pulse este botón para aumentar el valor de la variable seleccionada en ese momento.

[DECREMENT] [-]: pulse este botón para disminuir el valor de la variable seleccionada en ese momento.

Pantallas

Luz de precalentamiento (externa).

Cuatro dígitos para el tiempo (verde), para la hora del día, el cronómetro y la cocción automática. También hay un indicador de AM/PM.

Tres dígitos para la temperatura (rojo), para la temperatura del horno. Hay un indicador de las unidades de los grados (°C o °F). Muestra el punto de ajuste de la temperatura para el modo de cocción de ese momento en el interior del horno seleccionado.

Iconos de cuadros e iconos de bloqueo para mostrar cual de los dos hornos está seleccionado en ese momento y qué puerta, si ambos, está trabajando, limpiando o enfriándose tras una limpieza.

Rótulos para indicar las funciones activas (texto fijo) o las funciones que requieren información por parte del usuario (texto parpadeante).

Perillas

Selector del modo de cocción (convección). Ocho modos de cocción + la posición OFF.

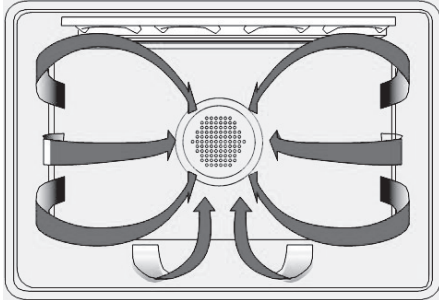
Selector del modo de cocción (térmico). Tres modos de cocción + posición de OFF.

Selector de temperatura. Posiciones de PRESET y CLEAN + campo continuo entre los valores MIN y MAX.



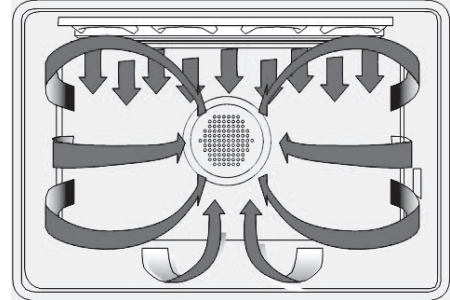
Modos del horno

Las siguientes ilustraciones dan una vista general de lo que sucede en el horno en cada modo de ajuste. Las flechas representan la posición de la fuente de calor durante cada uno de los modos. Los elementos inferiores están ocultos bajo el piso inferior.



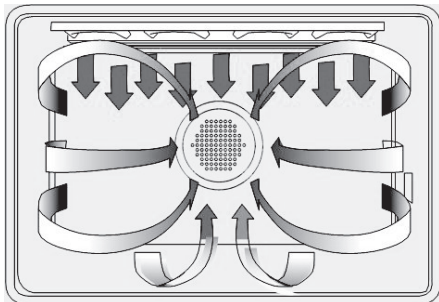
Horneado de convección y deshidratado

El horneado de convección cocina con aire que proviene de un tercer elemento que se encuentra detrás de la pared trasera del horno. Este calor circula a través del horno por medio de un ventilador de convección. El deshidratado es similar al cocinado de convección y soporta una baja temperatura óptima mientras circula el aire seco caliente para quitar la ligera humedad para conservar los alimentos.



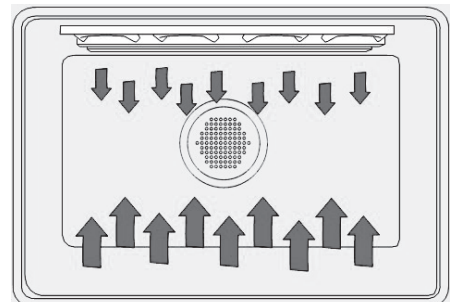
Precalentamiento rápido

Rápido precaliente las aplicaciones el elemento del anillo y el elemento adicional de calentar rápidamente la cavidad. Cuando se suena el tono del precalentar y la luz roja da vuelta apagado, seleccione el modo deseado el cocinar.



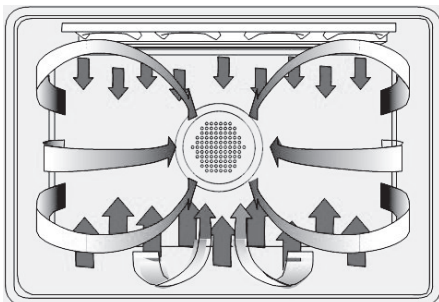
Asado de convección

El Asado de convección combina el calor intenso del elemento superior con el aire que circula por medio del ventilador de convección.



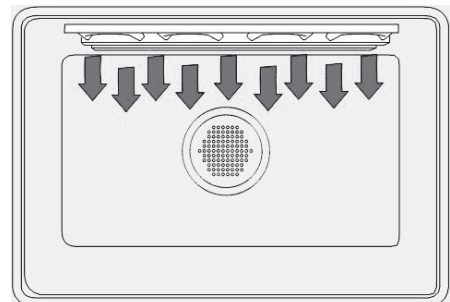
Horneado

Hornear es cocinar con aire seco, caliente. Tanto el elemento superior como el inferior se encienden en ciclos para mantener la temperatura del horno.



Grill de convección

El Grill de Convección usa el calor de los elementos superiores e inferiores, así como el calor del ventilador de convección.



Asado

El Asado usa el calor intenso que radia el elemento superior.

Generalidades del horno

Antes de usar su horno por primera vez quite el embalaje y los materiales que no forman parte del horno o de los hornos. Cualquier material de este tipo que se deje en el horno (hornos) puede fundirse y /o quemarse cuando se usa el horno.

Símbolos parpadeantes o Números

Señalan un ajuste incompleto o llaman la atención sobre otra información.

Pitidos

Los pitidos señalan que hay que introducir más información o confirman que se aceptó la entrada. Los pitidos también señalan el final de una función o un error del horno.

Pre calentamiento rápido

En el caso de que sea necesario calentar el horno rápidamente, gire el selector de modo de cocción en la posición de pre calentamiento rápido. En cuanto suene el tono de pre calentamiento y se apague la luz roja, seleccione el modo de cocción deseado y coloque dentro los alimentos.

Símbolo de bloqueo

Se muestra cuando la puerta está bloqueada durante el modo de Autolimpieza o durante el siguiente enfriamiento. El símbolo parpadea cuando el pestillo se está moviendo para bloquear o desbloquear la puerta. No intente abrir la puerta. La puerta solo se podrá abrir cuando el símbolo haya desaparecido.

Cierre de seguridad de la puerta

El pestillo de la puerta no solo se usa para cerrar la puerta durante el autolimpieza sino que también se usa para cerrar la puerta manualmente por razones de seguridad (prevenir que los niños tomen o toquen partes calientes) durante las normales actividades de cocción.

Un solo horno: mantenga pulsados al mismo tiempo durante 3 segundos los botones INC (+) y LOCK. El gancho bloqueará la puerta. Repita la operación para desbloquearla.

Error de apagón

Cuando vuelva la corriente, la pantalla del reloj marcará las 12.00^{AM}

Ajustes por defecto

Los modos de cocción seleccionan una temperatura apropiada cuando el selector se encuentra en esta posición. Se puede cambiar cuando se necesite una diferente.

Códigos de Números error F

Estos códigos aparecen en la pantalla cuando el control electrónico detecta un problema en el horno o en sus componentes electrónicos.

Ventilador de convección

El ventilador de convección trabaja durante el modo de convección. Cuando el horno está trabajando en el modo de convección, el ventilador se para automáticamente cuando se abre la puerta. El ventilador de convección funcionará durante el pre calentamiento para modos específicos.

Ventilador de enfriado de los componentes

Se activa durante todos los modos de cocción y de autolimpieza para enfriar los componentes internos y la superficie de la puerta exterior. El aire se expulsa a través de las aberturas colocadas por encima de la puerta del horno. Sigue funcionando hasta que los componentes se han enfriado lo suficiente. El ventilador de enfriamiento va más rápido en el modo de autolimpieza y cada vez que los componentes internos aumentan su temperatura.

Consejos generales para el horno

Precalentar el horno

- Precaliente el horno cuando utiliza los modos de Horneado, Horneado de convección y Grill de convección.
- Use el modo de precalentar rápido para acortar el tiempo del modo de precalentado.
- Seleccionar una temperatura más alta no acorta el tiempo de precalentado.
- Se necesita precalentar para obtener buenos resultados al hornear pasteles, galletas, pastelelitos y panes.
- El precalentado ayudará a dorar los asados y a que la carne conserve sus jugos.
- Coloque las rejillas del horno en su posición correcta antes de precalentar.
- Durante el precalentado la pantalla muestra la temperatura de cocción seleccionada.
- Un pitido confirmará que el horno se ha precalentado y la luz indicadora de precalentado se apagará.
- El precalentado rápido se puede utilizar cuando el tiempo es fundamental.

Sugerencias para el uso

- Use las tablas de cocinar como una guía
- No ponga recipientes sobre la puerta abierta del horno
- Utilice la luz interna del horno para mirar los alimentos a través de la ventana del horno en lugar de abrir la puerta frecuentemente.

Recipientes

- Los recipientes de vidrio para hornear absorben el calor. Reduzca la temperatura del horno 25°F (15°C) cuando hornea con moldes de vidrio.
- Use los recipientes que producen el dorado deseado. El tipo de acabado del recipiente ayuda a determinar la cantidad de dorado que se producirá en el horno.
- Los moldes brillantes, de metal liso o ligeramente antiadherentes/anodizados reflejan el calor y dan como resultado un dorado más ligero y delicado. Los pasteles y galletas requieren este tipo de molde.

Rejillas del horno

- El horno tiene guías para las rejillas en cuatro niveles como se muestran en la figura de la pág. 69.
- Las posiciones de las rejillas están numeradas desde la guía de la rejilla inferior (#1) a la superior (#4).
- Consulte las tablas de cocinar para determinar las mejores posiciones de la rejilla para usar cuando se cocina.
- Cada guía de nivel consiste en un par de soportes formados en las paredes de cada lado del interior del horno.
- Asegúrese siempre de que las rejillas del horno se encuentran en la posición correcta antes de encender el horno. Asegúrese de que las rejillas estén niveladas una vez colocadas en posición.

Si tiene dudas, como por ejemplo, qué lado es la parte frontal de la rejilla, tome como referencia la figura de la pág. 69.

- Las rejillas están diseñadas para pararse cuando se tiran hacia atrás hasta el tope.

- Los recipientes oscuros, ásperos o sin brillo absorben el calor y producen una costra más dorada y crujiente. Use este tipo para pasteles.
- Utilice recipientes de metales oscuros antiadherentes/anodizados o moldes de metal sin brillo o moldes de vidrio de horneado para obtener una costra dorada. Los moldes aislantes de horneado pueden aumentar el tiempo de cocción.
- No hornee con la bandeja de asado vacía dentro del horno ya que esto puede cambiar el rendimiento del horneado. Guarde la bandeja de asado fuera del horno

Condensación y temperatura del horno

- Es normal que una cierta cantidad de humedad se evapore de los alimentos durante el proceso de cocción. La cantidad depende del contenido de humedad que contienen los alimentos. La humedad se puede condensar sobre una superficie más fría o en el interior del horno, así como en el panel de control.
- Su nuevo horno lleva un sensor electrónico de temperatura que mantiene cuidadosamente la temperatura seleccionada. Su horno anterior tal vez tenía un termostato mecánico que gradualmente cambiaba a una temperatura más alta. Será normal que usted tenga que ajustar sus recetas favoritas cuando empiece a cocinar con su nuevo horno.

Horneado a gran altitud

- Cuando se hornea a gran altitud, las recetas y el tiempo de cocción varían con respecto a los estándares.

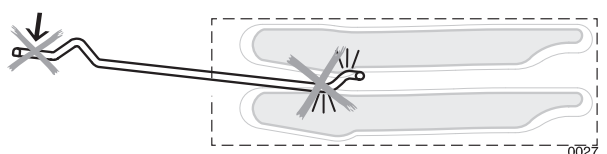
Conexión de 120/240 contra 120/208 Voltios

- La mayoría de las instalaciones de hornos tiene un voltaje de 120/240 voltios.
- Si su horno está instalado con un voltaje de 120/208 voltios, el precalentado puede ser ligeramente más largo que con un voltaje de 120/240 voltios.
- El horno está diseñado para asegurar el mismo tiempo de limpieza a 208V.

PRECAUCIÓN! Nunca utilice papel de aluminio para tapar las rejillas del horno o para forrar el horno. El calor atrapado por debajo del papel de aluminio puede dañar el revestimiento del horno.

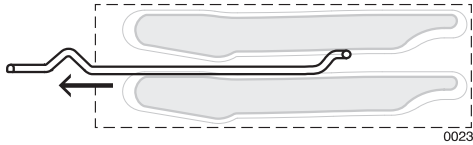
PRECAUCIÓN

Asegúrese de que no la ha forzado para evitar daños al esmalte.

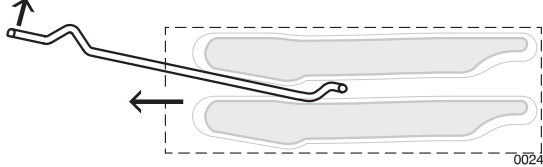


Para sacar las rejillas del horno:

1. Agarre la rejilla y empújela hacia atrás

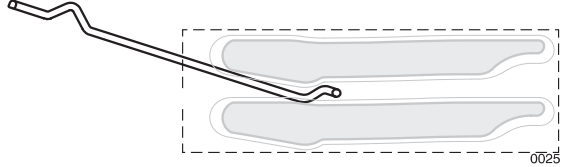


2. Incline la rejilla hacia arriba y sáquela

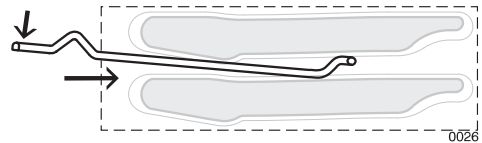


Para meter una rejilla del horno:

1. Coloque la parte de atrás de la rejilla entre las guías de nivel de rejilla



2. Mientras inclina la parte frontal de la rejilla hacia arriba, deslice la rejilla a lo largo de la vía mientras baja la parte frontal



La rejilla extensible

- La rejilla extensible facilita el acceso a los alimentos en el horno. Se extiende más allá de la rejilla plana normal acercando los alimentos al usuario.



PRECAUCIÓN

Cuando la rejilla sale del horno no se bloquean los brazos laterales de deslizamiento. Éstos se podrían extender inesperadamente si se transporta la rejilla de modo incorrecto. Extender los brazos de deslizamiento puede causar lesiones. **Se debe sostener o transportar la rejilla solamente agarrando los lados.**

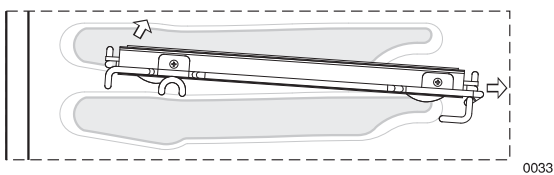
NOTA: Siempre saque la rejilla extensible antes de autolimpiar el horno.

PRECAUCIÓN! Para evitar quemaduras, jale la rejilla completamente y levante el molde arriba de la agarradera cuando transporta los alimentos al y del horno.

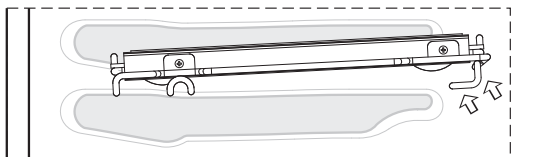
Si tiene dudas, como por ejemplo, qué lado es la parte frontal de la rejilla, tome como referencia la figura de la pág. 69.

Sacarla del horno:

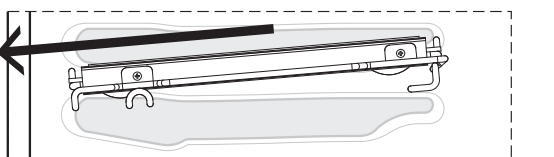
1. Levante el frente de la rejilla ligeramente y empuje la rejilla hacia adentro hasta que se libera el tope



2. Levante el fondo de la rejilla hasta que el marco y el tope queden libres de la guía

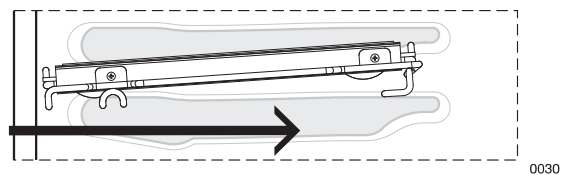


3. Jale la rejilla hacia abajo y sáquela

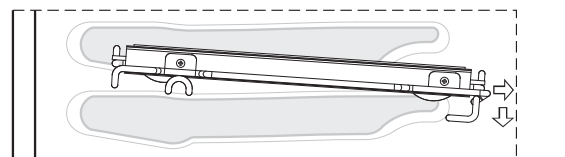


Colocar la rejilla en el horno:

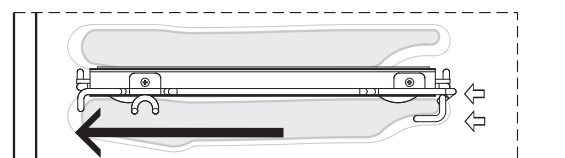
1. Agarre la rejilla firmemente en ambos lados. Coloque la rejilla (incluyendo el marco) arriba de la guía de rejilla deseada



2. Empuje la rejilla completamente hasta que el fondo de la rejilla caiga en su lugar



3. Hale ambas secciones hacia delante hasta que se active el tope. La rejilla debe estar recta no torcida



Configurar el reloj y el temporizador

La hora del día aparece en la pantalla en horas y minutos.

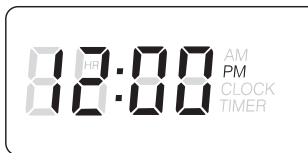
Configure siempre el reloj inmediatamente después de la instalación o después de un apagón. Una vez que ha vuelto la corriente al horno, el reloj marca las 12:00^{AM}.

La hora del reloj aparecerá durante todas las operaciones del horno excepto cuando el temporizador o el cocinado retardado están funcionando.

El horno esta configurado con un reloj de 12 horas e indica AM y PM.

Para configurar el reloj

1. Pulse [SET CLOCK]. Las horas empezarán a parpadear y en la pantalla aparecerá el escrito CLOCK (reloj).
2. Pulse [+] o [-] para configurar la hora deseada. Siga hasta que se haya seleccionado el correcto AM o PM.
3. Pulse [SET CLOCK] de nuevo para confirmar la hora y los minutos empezarán a parpadear.
4. Pulse [+] o [-] para configurar el valor de los minutos deseados, mantenga el botón para cambiar con incrementos de 10 minutos.
5. Pulse [SET CLOCK] de nuevo para confirmar el tiempo de espera durante 5 segundos.



Aparecerá lo siguiente cuando el modo de edición está activo para configurar o cambiar el valor.



Para configurar el temporizador (timer)

1. Pulse [TIMER]. El temporizador y el texto TIMER aparecerán en la pantalla.
2. Pulse [TIMER] de nuevo. El valor de las horas empezará a parpadear.
3. Pulse [+] o [-] para configurar la hora deseada.
4. Pulse [TIMER] de nuevo para confirmar la hora y los minutos y empezará a parpadear.
5. Pulse [+] o [-] para configurar el valor de los minutos deseados, mantenga pulsado el botón para cambiar con incrementos de 10 minutos.
6. Pulse [TIMER] de nuevo para confirmar el valor o espere durante 5 segundos.
7. TIMER aparecerá ininterrumpidamente.
8. Cuando el tiempo termine, los pitidos de recordatorio sonaran durante 15 minutos o hasta que se pulse el botón.
9. El formato del temporizador es normalmente en Horas: minutos, pero se puede cambiar en Minutos: segundos durante el último minuto.
10. El valor que se mostrará siempre se redondeará en el último minuto.



Selección de los modos del horno

Para configurar el modo de cocinar y temperatura

- Los siguientes modos se pueden seleccionar girando la perilla de los modos de cocinado en la posición deseada. Para seleccionar Limpieza, también es necesario mover la perilla de la temperatura en la posición de limpieza apropiada.

OFF (off)

CONVECTION BAKE (horneado de convección)

CONVECTION BROIL (asado de convección)

CONVECTION ROAST (grill de convección)

FAST PREHEAT (precalentamiento rápido)

BAKE (horneado)

BROIL (asado)

DEHYDRATE (deshidratado)

CLEAN (limpieza)

- Seleccione la temperatura deseada moviendo el selector o soltándolo en la posición de PRESET si el valor propuesto es bueno. La temperatura puede cambiarse con incrementos de 5°F o 5°C.
- En cuanto se mueve una de las perillas, el control cambia automáticamente para mostrar el valor en la cavidad del horno correspondiente. Se mostrará el cuadro correspondiente.
- El interior del horno empezará a calentarse y la luz del horno se encenderá.
- La luz de precalentamiento se encenderá. Cuando el horno se haya precalentado, sonará un pitido y la luz roja se apagará.
- Para cambiar la temperatura mientras se está cocinando, basta girar la perilla de la temperatura hasta que la pantalla muestre el valor deseado.
-
- Mueva el selector del modo de cocción en OFF si pretende parar de cocinar.

Uso de las lámparas del horno

- Un único botón de luces activa las luces de ambos hornos.
- Si el botón LIGHT (LÁMPARA) se acciona cuando ambos hornos están apagados, las lámparas de los hornos superior e inferior se encenderán. Si se acciona el botón LIGHT de nuevo, ambas luces se encenderán.
- Las lámparas de horno se encienden o apagan automáticamente cuando las puertas están abiertas y cerradas.
- Cuando un horno está en función, las lámparas del horno se encienden automáticamente cuando inicia el modo. Las lámparas del horno se apagan automáticamente cuando el modo del horno se anula.
- Las lámparas no funcionan en el modo de autolimpieza.



Modos cronometrados de cocinar

- Asegúrese de que el reloj de la hora del día aparezca en la pantalla con el tiempo correcto.
- El modo cronometrado apaga el horno al final del tiempo de cocción.

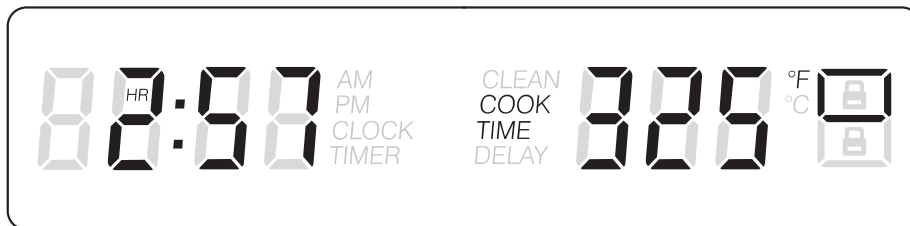
Para configurar el modo cronometrado

1. Seleccione el modo de cocinar y la temperatura como se señala en la perilla.
2. Si fuera necesario, cambie la temperatura por defecto en ese momento girando la perilla.
3. Pulse el botón [COOK TIME] (tiempo de cocción). Los rótulos de *COOK* y *TIME* aparecerán en la pantalla, junto con el tiempo del cocción y los dígitos de las horas empezarán a parpadear.
4. Pulse [+] o [-] para cambiar las horas. Tenga presente que el tiempo que precisa el horno para alcanzar la temperatura tiene que incluir la configuración del tiempo de cocción.
5. Pulse [COOK TIME] de nuevo, las horas se confirmarán y los dígitos de los minutos empezarán a parpadear.
6. Pulse [+] o [-] para cambiar los minutos. Mantenga pulsado el botón para cambiar con incrementos de 20 minutos.
7. Pulse [COOK TIME] otra vez o espere unos pocos segundos para confirmar el valor de tiempo de cocción completo.
8. Al final del tiempo de cocción programado, el horno se apagará automáticamente.

Para retrasar el inicio del modo cronometrado

Siga los pasos del 1 al 9 de arriba.

- Pulse el botón [STOP TIME]. El rótulo *DELAY* (Retraso) aparecerá en la pantalla junto con el tiempo de parada y los dígitos de las horas empezarán a parpadear.
- Pulse [+] o [-] para cambiar las horas.
- Pulse de nuevo el botón [STOP TIME], las horas se confirmarán y los dígitos de los minutos empezarán a parpadear.
- Pulse el botón Press [+] o [-] para cambiar los minutos. Mantenga pulsado el botón para cambiar con incrementos de 10 minutos.
- Pulse el botón [STOP TIME] una vez más y espere uno segundos para confirmar el valor del tiempo de parada completo.
- El reloj calcula automáticamente las horas del día en las que el modo empieza y se para. El tiempo de cocción que aparece en la pantalla se cronometra en minutos. El horno se enciende y calienta a la temperatura configurada, para el número seleccionado de horas y minutos.
- Al final del tiempo de cocción programado el horno se apaga automáticamente. En la pantalla aparecerá **End** y el horno emitirá pitidos. Los pitidos sonarán durante 15 minutos o hasta que se toque un botón.
- En el caso de que sea necesario controlar el valor del tiempo que no se muestra en la pantalla, pulse el botón correspondiente para ver el valor deseado durante 5 segundos.
- Ejemplo: si se muestra el valor del temporizador, pulse el botón del tiempo de cocción para verlo durante 5 segundos.



Consejos y técnicas de horneado

Hornear es cocinar con aire caliente. Tanto el elemento superior como el inferior del horno se encienden para calentar el aire pero no se utiliza el ventilador para hacer circular el horneado.

Siga la receta o las orientaciones de los alimentos convenientes para la temperatura de horneado, el tiempo y la posición de las rejillas. El tiempo de horneado cambiará con la temperatura de los ingredientes y con las dimensiones, la forma y el acabado del molde de horneado.

Directrices generales

- Para obtener los mejores resultados hornee los alimentos en una única rejilla con al menos 1" - 1½" (2,5 – 3 cm) espacio entre los moldes y las paredes del horno.
- Use una rejilla cuando selecciona el modo de horneado.
- Controle para que estén cocidos en el menor tiempo.
- Use moldes del metal (con o sin acabado antiadherente), vidrio refractario, vitrocerámica, cerámica u otros utensilios adecuados para el horno.
- Cuando use vidrio refractario, reduzca la temperatura 25°F (15°C) con respecto a la temperatura recomendada.
- Use bandejas de horneado con o sin lados o moldes de charlotas.
- Las cazuelas de metal oscuro o con recubrimiento antiadherente cuecen más rápidamente y se doran más. Los moldes aislantes alargarán ligeramente el tiempo de cocción para la mayoría de los alimentos.
- No utilice hojas de aluminio o bandejas de aluminio desechables para cubrir cualquier parte del horno. Las hojas son un excelente aislante de calor y el calor quedará atrapado por debajo. Esto alterará el rendimiento de la cocción y podrá dañar el acabado del horno.
- Evite el uso de las puertas abiertas para apoyar las cazuelas.
- Los consejos para Resolver los problemas de horneado se encuentran en la página 93.

Tabla de cocción por horneado

ALIMENTO	POSICIÓN DE REJILLA	TEMP. °F (°C) (HORNO PRECALENDADO)	TIEMPO (MIN)
Pastel			
Glaseado	2	350 (175)	17-19
Pastel	1	350 (175)	37-43
Bizcochos	1	350 (175)	35-39
Pay			
2 cortezas, fresco 9"	2	375-425 (190-220)	45-55
2 cortezas. fruta congel. 9"	2	375 (190)	68-78
Galletas			
Azúcar	2	350-375 (175-190)	6-11
Chocolate chip	2	350-375 (175-190)	8-13
Brownies	2	350 (175)	29-36
Panes			
Pan de levadura, 9x5	2	375 (190)	18-22
Rollos de levadura	2	375-400 (190-205)	12-15
Bollo, Panecillo	2	375-400 (190-205)	11-15
Molletes	2	425 (220)	15-19
Pizza			
Congelada	2	400-450 (205-235)	23-26
Fresca	2	425-450 (220-235)	12-15

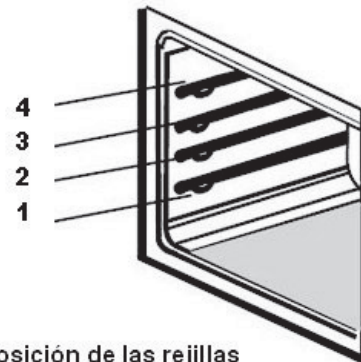
Consejos y técnicas de horneado de convección

Reduzca las temperaturas del horneado de las recetas 25°F (15°C).

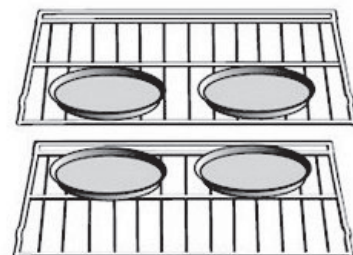
- Para obtener mejores resultados, se recomienda poner los alimentos en bandejas planas, no tapadas para aprovechar la circulación del aire forzado. Utilice moldes de aluminio brillante para obtener los mejores resultados si no se especifica nada más.
- Se puede utilizar vidrio refractario o cerámica. Reduzca la temperatura otros 25°F (15°C) cuando utiliza platos de vidrio refractario, con una reducción total de 50°F (30°C).
- Se pueden usar moldes de metales oscuros. Tenga presente que los alimentos se dorarán más rápidamente si usa recipientes de metal oscuro.
- El número de rejillas utilizadas lo determina la altura del alimento que tienen que cocinar.
- Cocinar con múltiples rejillas para comidas realizadas al horno se debe a la posición de las rejillas 1, 2 y 3. Se pueden utilizar todas las rejillas, para las galletas, bollos y galletitas saladas.
 - Con 2 rejillas de horneado. Use las posiciones 1 y 3.
 - Con 3 rejillas de horneado. Use las posiciones 2, 3 y 4.
 - Cuando hornea cuatro capas con pasteles al mismo tiempo, coloque los moldes de tal modo que ningún molde quede directamente encima de otro. Para lograr mejores resultados, coloque los moldes en la parte frontal de rejilla superior y en el fondo de la rejilla inferior (vea la figura a la derecha). Permita 1" - 1 1/2" de espacio libre alrededor de los moldes.
- Transformar su propia receta puede ser fácil. Elija una receta que funcione bien en el modo de convección.
- Reduzca la temperatura y el tiempo de cocción si fuera necesario. Puede ser necesario algún juicio y cometer algún error para obtener un resultado perfecto. Conserve los resultados de su técnica para la próxima vez que quiera preparar la misma receta utilizando el sistema por convección.
- Los consejos para resolver los problemas de horneado se encuentran en la página 93.

Alimentos recomendados para modo de horneado de convección:

Galletitas saladas y hojaldres
 Galletas para el café
 Pasteles (de 2 a 4 rejillas) Masa de levadura
 Bollos de crema
 Popovers
 Guisos y entrantes
 Comidas preparadas al horno (posición de las rejillas 1, 2, 3)
 Alimentos que se elevan con aire (Suflés, Merengues, Postres recubiertos con merengues, Bizcocho Angel, Bizcochos)



Posición de las rejillas



Rejilla 3

Rejilla 1

Colocación de los distintos recipientes en la rejilla

Consejos para recetar rápidas y fáciles

Para transformar el **HORNEADO** estándar en **HORNEADO DE CONVECCIÓN**:

- Reduzca la temperatura 25°F.
- Use el mismo tiempo de horneado que para el modo de Horneado si es por debajo de los 10 a 15 minutos.
- Los alimentos con un tiempo de horneado inferior a 30 minutos deberían controlarse para ver si están bien cocidos 5 minutos antes que las recetas de horneado estándar.
- Si los alimentos se hornean durante más de 40 a 45 minutos, el tiempo de horneado se debería reducir un 25%.

Tabla de horneado de convección

Reduzca la temperatura de la receta estándar de 25°F(15°C) para el horneado de Convección. La temperaturas se han reducido en esta

ALIMENTO	POSICIÓN DE REJILLA	TEMP. °F (°C) (HORNO PRECALENDADO)	TIEMPO (MIN)
Pastel			
Glaseado	2	325 (160)	17-19
Pastel	1	325 (160)	37-43
Bizcochos	1	325 (160)	35-39
Pay			
2 cortezas, fresco 9"	2	350-400 (175-205)	45-55
2 cortezas. fruta congel. 9"	2	350 (175)	68-78
Galletas			
Azúcar	2	325-350 (160-175)	6-11
Chocolate chip	2	325-350 (160-175)	8-13
Brownies	2	325 (160)	29-36
Panes			
Pan de levadura, 9x5	2	350 (175)	18-22
Rollos de levadura	2	350-375 (175-190)	12-15
Bollo, Panecillo	2	350-375 (175-190)	11-15
Molletes	2	400 (205)	15-19
Pizza			
Congelada	2	375-425 (190-220)	23-26
Fresca	2	400-425 (205-220)	12-15

Esta tabla es una guía. Siga la receta o las instrucciones del paquete y reduzca la temperatura de la manera apropiada.

Consejos y técnicas de grill de convección

- Precaliente para cocinar con Grill de convección.
- Cocine con grill en una bandeja baja y sin tapar.
- Cuando se gratinan pollos y pavos enteros, suba las alas hacia atrás y ate fuerte las patas con cuerda de cocina.
- Use el recipiente para asar a la parrilla de 2 piezas para gratinar descubierto.
- Use una sonda o un termómetro de carne para determinar la cocción del interior cuando en la temperatura "END" (véase la tabla de cocción).
- Controle dos veces el interior de la temperatura de la carne/de la ave introduciendo un termómetro de carne en otra posición.
- Cuando se está asando un gran asado o un pavo, podría ser preciso girar el recipiente del asado durante el tiempo de grill. Esto permitiría una cocción aún mejor. Las aves grande también precisan ser cubiertas con láminas (y recipientes de asar) durante una porción del tiempo de asado para evitar que se quemen por encima.

Consejos para recetas rápidas y fáciles

Convierta el **HORNEADO** estándar en **GRILL DE CONVECCIÓN**:

- No hay que reducir la temperatura.
- Los asados, los grandes cortes de carne y las aves en general utilizan un 10-20% menos de tiempo de cocción. Controle si los alimentos están cocidos antes.
- Los guisos y los asados a la cazuela se hornean cubiertos en el modo de GRILL DE CONVECCIÓN y cuecen aproximadamente en el mismo tiempo.
- La temperatura de seguridad mínima para el relleno de las aves es de 165°F (75°C).
- Después de sacar los alimentos del horno, cúbralos con papel de aluminio durante aproximadamente de 10 a 15 minutos antes de trincharlos.
- Mientras está cubierta, la temperatura del asado aumenta de 5° to 10°F (3°to 6°C).

Tabla de grill de convección

CARNES	PESO (lb)	TEMP. HORNO °F (°C)	POSICIÓN DE REJILLA	TIEMPO (min. per lb)	TEMPERATURA INTERNA °F (°C)
Res					
Costillas	4-6	325 (160)	2	24-30 27-33	145 (63) medium rare 160 (71) medium
Rib Eye (sin heuso)	4-6	325 (160)	2	22-30 27-33	145 (63) medium rare 160 (71) medium
Churrasco, Eye Tip, Sirlion (sin heuso)	3-6	325 (160)	2	22-28 27-33	145 (63) medium rare 160 (71) medium
Tenderloin Tostado	2-3	425 (220)	2	15-25	145 (63) medium rare
Puerco					
Lomo (con o sin hueso)	5-8	350 (175)	2	20-30	160 (71) medium
Hombro	3-6	350 (175)	2	25-35	160 (71) medium
Aves					
Pollo Entero	3-4	375 (190)	2	18-21	180 (82)
Pavo sin ralleno	12-15	325 (160)	1	10-14	180 (82)
Pavo sin ralleno	16-20	325 (160)	1	9-11	180 (82)
Pavo sin ralleno	21-25	325 (160)	1	6-10	180 (82)
Pechuga Pavo	3-8	325 (160)	1	15-20	170 (77)
Codorniz	1-1 ½	350 (175)	2	45-75 total	180 (82)
Cordero					
Media Pierna	3-4	325 (160)	2	25-30 30-35	160 (71) medium 170 (77) well
Pierna Entera	6-8	325 (160)	1	25-30 30-35	160 (71) medium 170 (77) well

Consejos y técnicas del asado de convección

- Coloque la rejilla en la posición requerida antes de encender el horno.
- Use el modo de Asado de Convección con la **puerta del horno cerrada**.
- No precaliente el horno.
- Use un recipiente de 2 piezas.
- Voltee la carne una vez a mitad del tiempo recomendado para cocinar (vea la tabla de asado de convección)

Tabla de asado de convección

ALIMENTO Y GROSOR	POSICIÓN DE REJILLA	POSICIÓN DE ASADO °F (°C)	TEMPERATURA INTERNA °F (°C)	TIEMPO LADO 1 (MIN.)*	TIEMPO LADO 2 (MIN.)*
Carne de res					
Filete (1-½" o más)					
Vuelta y Vuelta	2	450 (235)	145 (65)	12-14	11-13
Medio	2	450 (235)	160 (71)	15-17	13-15
Bien Cocido	2	450 (235)	170 (77)	18-20	16-17
Hamburguesas (más de 1")					
Medio	3	550 (290)	160 (71)	9-11	5-8
Bien Cocido	3	550 (290)	170 (77)	11-13	8-10
Aves					
Cuartod de Pollo	3	450 (235)	180 (82) (thigh)	16-18	14-16
Pechuga de Pollo	3	450 (235)	170 (77)	14-16	12-14
Puerco					
Chuletas (1¼" o más)	2	450 (235)	160 (71)	12-14	13-15
Salchicha - fresca	3	450 (235)	160 (71)	4-6	3-5

* Los tiempos del Asado y Asado de Conveccion son aproximados y pueden variar ligeramente.

Consejos y técnicas de deshidratado

- Para deshidratar use el modo de deshidratado. Se usa una baja temperatura y el aire caliente que circula suavemente elimina la humedad de los alimentos para conservarlos.
- La temperatura del modo de Deshidratado está programada a 140°F (60°C).
- Las temperaturas del modo de Deshidratado se encuentran entre 120°F (50°C) y 160°F (70°C).
- Se pueden usar múltiples rejillas al mismo tiempo.
- Algunos alimentos requieren como 14-15 horas para su total deshidratación.
- Consulte un libro de conservación de alimentos para los tiempos específicos y para el manejo de los distintos alimentos.
- Este modo es apropiado para una variedad de frutas, vegetales, verduras y tiras de carne.
- Las rejillas especiales de secado se pueden comprar en tiendas de menaje de cocina especializadas.
- Si se usan servilletas de papel, algunas humedades de los alimentos pueden ser absorbidas antes de empezar la deshidratación (como por los tomates o duraznos cortados en rodajas).

Tabla de deshidratado

ALIMENTO	PREPARACIÓN	TIEMPO* DE SECADO (hrs) APROXIMADO	PRUEBA DEL TERMINADO
Fruta			
Manzana	Sumergido en ¼ vaso con jugo de limon y 2 vasos de agua, rebanadas ¼"	11-15	Ligeramente lexible
Platano	Sumergido en ¼ vaso con jugo de limon y 2 vasos de agua, rebanadas ¼"	11-15	Ligeramente lexible
Cereza	Lavar y secar con toalla. Para cerezas frescas, quitar huesos	10-15	Flexible, duro, masticable
Cáscara y trozos de naranja	Trozos de naranja ¼"; la parte de la cáscara está lageramente pelada de la naranja	Cáscara 2-4 Trozos: 12-16	Cáscara de Naranja: seca y frágil
Anillos de piña	Secado con toalla	En lata: 9-13 Fresca: 8-12	Suave y flexible
Fresa	Lavar y secar c/toalla. Rebanadas de ½", la piel (exterior) está sobre la rejilla	12-17 Deco,	frágil
Verduras			
Chiles	Lavar y secar c/toalla. Quitar la membrana del chile, cortada en rebanadas grandes de aprox. 1"	16-20	Duro sin tener humedad en el interior
Hongos	Lavar y secar c/toalla. Cortar el tallo, cortar en rebanadas de 1/8"	7-12	Duro y seco
Jitomates	Lavar y secar c/toalla. Cortar en rebanadas de 1/8", drenar bien	16-23	Seco, color de ladrillo rojo
Especies			
Orégano, perejil verde, tomillo e hinojo	Enjuagar y secar con toalla de papel	Secar a 120°F (60°C) 3-5 hrs	Crujiente y frágil
Albahaca	Usar las hojas de albahaca de 3 a 4 pulgadas desde la punta. Rociar con agua sacudirlo y secarlo a golpecitos	Secar a 120°F (60°C) 3-5 hrs	Crujiente y frágil

Consejos y técnicas del asado

- Coloque la rejilla en la posición requerida antes de encender el horno.
- Use el modo de Asado de Convección con la **puerta del horno cerrada**.
- No precaliente el horno.
- Use un recipiente de 2 piezas.
- Se puede untar las carnes con un pincel mojado en aceite o mantequilla para evitar que se pegue.
- Voltee la carne una vez a mitad del tiempo recomendado para cocinar (vea la tabla de asado)

Tabla de asado

ALIMENTO Y GROSOR	POSICIÓN DE REJILLA	POSICIÓN DE ASADO	TEMPERATURA INTERNA °F (°C)	TIEMPO LADO 1 (MIN.)*	TIEMPO LADO 2 (MIN.)*
Carne de res					
Filete (1-½" o más)					
Vuelta y Vuelta	3	5	145 (63)	5-7	4-6
Medio 3		5	160 (71)	6-8	5-7
Bien Cocido	3	5	170 (77)	8-10	7-9
Hamburguesas (más de 1")					
Medio	3	5	160 (71)	7-9	5-7
Bien Cocido	3	5	170 (77)	8-10	7-9
Aves					
Pechuga (con hueso)	3	3	170 (77)	14-16	14-16
Muslo 3		3	180 (82)	28-30	13-15
Puerco					
Chuletas (1")	3	5	160 (71)	7-9 5-7	
Salchicha - fresca	3	5	160 (71)	5-7 3-5	
Rebanada de Jamon (½")	3	5	160 (71)	3-5 4-6	
Mariscos					
Filetes de Pescado, 1"	3	4	Cook until opaque & flakes easily with fork	10-14	Do not turn
Con mantequilla					
Cordero					
Chuletas (1")					
Vuelta y Vuelta	3	5	145 (63)	5-7	4-6
Medio	3	5	160 (71)	6-8	5-7
Bien Cocido	3	5	170 (77)	8-10	7-9
Bread					
Pan, rebanadas de 1"	4	5		2-2,30	
Pan de ajo, rebanadas de 1"	3	5		4-6	

* Los tiempos del Asado y Asado de Convección son aproximados y pueden variar ligeramente.

Pautas e seguir para la temperatura de alimentos de FSIS (Servicio de Inspección y Seguridad de Alimentos USDA)

140°F(60°C)	Jamón , precocido (para recalentar)	165°F(74°C)	Relleno (cocido solo o en el ave)
145°F(63°C)	Carne fresca de res, tenera, cordero (vuelta y vuelta)		Sobras y guisados
160°F(71°C)	Carne molida y mezcalas de carne (res, puerco, tenera, cordero)	170°F(77°C)	Carne fresca de res, tenera, cordero (bien cocida)
	Carne fresca de res, tenera, cordero (medio)		Pechuga de pollo (aves)
	Carne fresca de puerco (media)		Carne fresca de puerco (bien cocida)
	Jamón fresco (crudo)	180°F(82°C)	Pollo y jamón (entero)
Platillos con huevos	Carne de aves (muslos y alas)		
165°F(74°C)	Carne molida y mezcalas de carne (pavo, pollo)		Pato y ganso

Note : Huevos (solos, no utilizados en una receta) – cocer hasta que la yema y la clara estén duras

Características especiales

La función de las Características especiales se puede utilizar para seleccionar las siguientes características especiales del horno:

1. **SAB => MODO SÁBADO** (para creyentes de religiones que no permiten “trabajar” los sábados)
2. **OFS => CONFIGURACIÓN DE OFF DEL HORNO** (se usa para calibrar la temperatura del horno)
3. **dEG => UNIDADES DE GRADOS** (se usa para seleccionar los grados Fahrenheit o Centígrados)
4. **Hr => FORMATO DEL RELOJ** (se usa para configurar el formato de la hora del día en 12 am/pm o 24 horas).

Para seleccionar las características especiales, siga los pasos abajo indicados:

Pulse y mantenga oprimido el CLOCK (Reloj) y el TIMER (cronómetro) durante al menos 3 segundos. La hora del reloj desaparecerá y se mostrará la siguiente pantalla.



1. Pulse el botón INC o el botón DEC para desplazar todas las opciones posibles hasta encontrar la deseada.
2. Pulse el botón CLOCK para iniciar el cambio del modo.
3. El valor parpadeará, cambiando este utilizando los botones INC o DEC.



4. Mantenga pulsado el botón CLOCK para confirmar y volver a la pantalla del reloj original.

Instrucciones del modo sábado

Entre en el menú de las opciones de los usuarios pulsando al mismo tiempo los botones CLOCK (RELOJ) y TIMER (TEMPORIZADOR). Desplácese por la lista de opciones en el campo de los dígitos rojos (dEG, OFF, Hr, Sab), pulsando INC/DEC, hasta que aparezca Sábado.



1. Pulse el botón CLOCK para entrar en el modo de edición: el punto seleccionado cambia los dígitos verdes en la parte izquierda y su estado en los campos de los dígitos rojos empieza a parpadear.



2. Pulse de nuevo los botones INC/DEC para configurar el modo Sábado ON o OFF (Default=OFF). Pulse CLOCK para confirmar y volver a la lista de opciones. Mantenga pulsado el botón durante 3 segundos para dejar el menú de selección y volver a las operaciones normales.
3. Una vez que se ha configurado el modo Sábado, solo las posiciones de BAKE y OFF están disponibles en el selector del modo de cocción. Mueva el selector a BAKE, luego configure la temperatura en el valor deseado antes de 5 minutos. Después de 5 minutos, la temperatura no se muestra más y la pantalla aparece como la de abajo: el modo Sábado está activo.



- El estado de las luces del horno no se puede cambiar durante el tiempo Sábado.
- La temperatura del horno solo se puede bajar pero no aparece ninguna información en la pantalla.
- El ventilador de enfriamiento puede funcionar en el modo Sábado.
- Las luces de precalentamiento están inhabilitadas durante el modo Sábado.
- El avisador estará siempre silencioso, aunque haya algún fallo, interrupción de funcionamiento etc.
- El tiempo de cocción máximo permitido tiene que ser de 72 horas.
- El usuario puede parar el horno manualmente, también durante el modo Sábado, moviendo el selector de modo de cocción a la posición OFF.

Cuidado y limpieza del horno

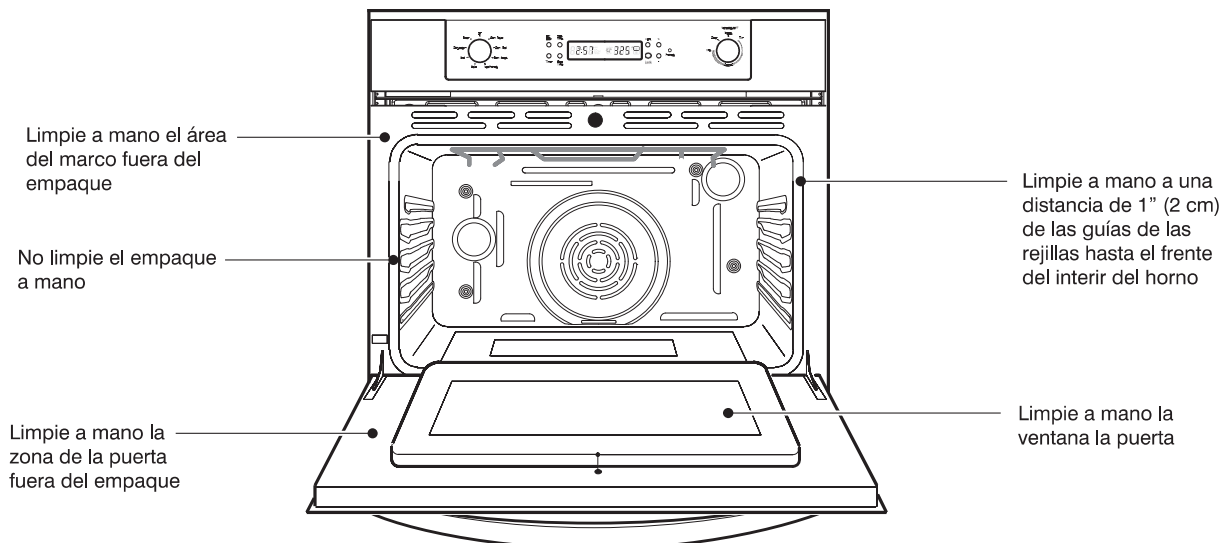
Autolimpieza del horno

Este horno se caracteriza por una función de autolimpieza pirolítica que elimina la dificultad y el tiempo utilizado en una limpieza manual del interior del horno. Durante la autolimpieza el horno usa una temperatura muy alta (approx. 885°F/470°C) para eliminar los residuos de comida y grasa.

- Es normal ver humo y/o una llama ocasional durante el ciclo de autolimpieza, dependiendo del contenido y de la cantidad de suciedad que queda en el horno. Si la llama persiste, apague el horno y permita que se enfríe antes de abrir la puerta para limpiar los residuos de comida con un trapo.
- El pestillo de la puerta se activa automáticamente tras seleccionar el ciclo de autolimpieza. El icono de puerta cerrada aparecerá en la pantalla. Esto asegura que la puerta no se pueda abrir mientras el interior del horno se encuentra a la temperatura de limpieza.
- La lámpara del horno no funciona durante el modo de autolimpieza.
- Durante la autolimpieza es preciso ventilar bien la cocina para ayudar a eliminar los olores asociados con la autolimpieza. Los olores se perderán con el uso.
- El tiempo de autolimpieza presente dura tres horas.
- El modo se para automáticamente al final de las horas de limpieza.
- Cuando el calor del horno baja a una temperatura segura, se activa el bloqueo automático de la puerta y esta se puede abrir.

Antes de la autolimpieza

1. Quite todos los recipientes y la bandeja de asado.
2. Quite las rejillas del horno. Si se dejan las rejillas en el horno durante la autolimpieza perderán su acabado brillante y dejarán de deslizarse suavemente sobre las guías de las rejillas. Vea la *Tabla de limpieza del horno* para un cuidado apropiado, páginas 89 y 90.
3. Limpie cualquier resto y la grasa con toallas de papel. El exceso de grasa provocaría llamas y humos dentro del horno durante la autolimpieza.
4. Repase la figura de aquí abajo. Algunas zonas del horno se tienen limpiar a mano antes de iniciar este ciclo. No se calientan lo suficiente durante el ciclo de limpieza para quemar los residuos. Use una esponja jabonosa, un raspador de plástico o una esponjilla con detergente S.O.S.®. Limpie a mano el borde de la puerta, el marco delantero y superior hasta 1-½ "(2-3 cm) pulgadas por el interior del marco con detergente y agua caliente. No frote el empaque. Limpie a mano la ventana de la puerta del horno. Enjuague a fondo todas las zonas y luego séquelas.
5. Asegúrese de que las lámparas del interior estén apagadas y que las bombillas y la cubierta estén en sus lugares. Véase la página 92.



Configuración del modo de Autolimpieza

Para configurar el modo de autolimpieza

1. Gire ambas perillas a la posición de autolimpieza.
2. CLEAN & TIME aparecen en la pantalla.
3. El número de las horas de limpieza aparecerá en la pantalla automáticamente. El tiempo de limpieza estándar es de 3 horas.
4. Al final del tiempo de limpieza, el horno se apagará automáticamente.
5. Pare el modo de limpieza en cualquier momento, quite de la posición de limpieza una de las perillas.

No intente abrir la puerta cuando la puerta está bloqueada. El icono de bloqueo empezará a parpadear hasta que el motor se pare. Cuando aparece el símbolo de bloqueo, la puerta no se puede abrir. Controle que la puerta se ha bloqueado y no la abra antes de empezar el modo de autolimpieza.

Si la puerta no se bloquea, gire la perilla del modo de cocción en la posición OFF y no iniciar la autolimpieza; llame por teléfono el servicio (véase a página 94 para obtener el servicio).

Si la puerta se encuentra en la posición de abierta cuando está seleccionado el modo, el icono de bloqueo parpadeará hasta que la puerta se cierre. El pestillo no se mueve.

Para cambiar el tiempo de limpieza

1. Para cambiar el tiempo prefijado de 3 horas, seleccione otra hora para residuos ligeros o 4 horas para residuos resistentes inmediatamente antes de iniciar.
2. Para cambiar el número de horas, pulse el botón COOK TIME.
3. El número de horas de limpieza parpadeará.
4. Utilice los botones INC o DEC para cambiar el número de horas.

5. Para cambiar los minutos, pulse el botón COOK TIME.
6. El número de minutos de limpieza parpadeará.
7. Use los botones INC o DEC para cambiar los números de los minutos. Mantenga pulsado para cambiar de 10 en 10 minutos.

Pulse COOK TIME o espere unos segundos para confirmar el nuevo valor.

Para retardar el inicio de la limpieza

1. Siga los pasos que aparecen arriba del 1 a 7.
2. Pulse el botón STOP TIME y la hora de parada empezará a parpadear.
3. Use los botones INC o DEC para cambiar la hora de parada.
4. Para cambiar los minutos, pulse el botón STOP TIME.
5. Los minutos para la limpieza parpadearán.
6. Use los botones INC or DEC para cambiar los minutos. Mantenga pulsados el botón para cambiar de 10 en 10 minutos.
7. Pulse STOP TIME o espere unos segundos para confirmar el nuevo valor.
8. La puerta del horno se bloqueará y en la pantalla aparecerá DELAY.
9. Al terminar el tiempo de retardo, empieza la autolimpieza
10. El horno se apagará automáticamente al final del tiempo de limpieza programado.
11. END aparecerá en la pantalla, CLEAN y TIME parpadearán hasta que se pulse un botón o se gire la perilla en la posición de OFF.

PARA COMPROBAR EL TIEMPO DE LIMPIEZA O EL TIEMPO DE PARADA durante la limpieza retardada, simplemente pulse los botones de COOK TIME o STOP TIME.



Cuidado general del horno

Cómo usar la tabla de la limpieza del horno

1. Localice el número de la parte que tiene que limpiar en la figura de esta página.
2. Busque el nombre de la parte en la tabla.
 - Use el método de limpieza que aparece en la columna de la izquierda si el horno es blanco o negro.
 - Use el método de limpieza que aparece en la columna de la derecha si el horno es de acero inoxidable.
3. Haga coincidir la letra con el método de limpieza Phe de la página siguiente.

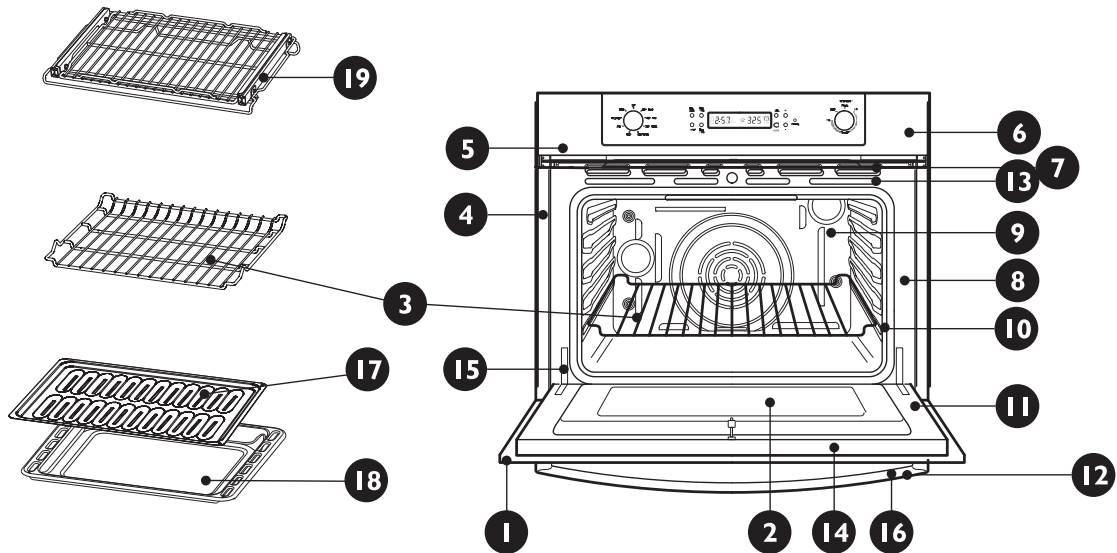


Tabla de limpieza

Parte		Método de limpieza		Parte		Método de limpieza	
		Horno Negro/Blanco	Horno de Acero Inoxidable			Horno Negro/Blanco	Horno de Acero Inoxidable
1	Marco de la puerta	E	E	11	Puerta del horno interior	E	E
2	Interior de la ventana de la puerta	F	F	12	Agarradera de la puerta	D	D
3	Rejillas removibles del horno	A o E	A o E	13	Aberturas de enfriamiento de la puerta	E	E
4	Molduras laterales	D	D	14	Frente de la puerta	C&D	C&D
5	Moldura del panel de control	C	G	15	Molduras del horno	D	D
6	Panel de control	C	C	16	Tapa terminal	D	D
7	Aberturas de enfriamiento del horno	D	D	17	Bandeja de grill	E	E
8	Marco frontal del horno	E	E	18	Bandeja del horno inferior	E	E
9	Cavity del horno	E	E	19	Rejilla extensible	A	A
10	Empaque metálico	B	B				

Acabados del horno / métodos de limpieza

El horno completo se tiene que limpiar de manera segura con una esponja jabonosa, enjuagar y secar. Si no se consiguen eliminar residuos persistentes, siga los métodos de limpieza que se muestran aquí abajo.

- Use siempre el limpiador más suave para hacer el trabajo.
- Frote el acabado del metal en la dirección del granulado.
- Use trapos limpios y suaves, esponjas o toallas de papel.
- Enjuague a fondo con el mínimo de agua posible para que no gotee agua en el interior de las ranuras.
- Seque para evitar que se formen alones.

Los limpiadores que se enumeran aquí abajo indican el tipo de productos que hay que usar y no se recomiendan. Use todos los productos según las instrucciones del paquete.

<i>Parte</i>	<i>Método de limpieza</i>
A Cromo pladado	Lave con agua jabonosa caliente. O frote suavemente con esponjillas con Soft Scrub®, Bon-Ami®, Comet®, Ajax®, Brillo® o S.O.S® directamente. Se puede usar los limpiadores de horno Easy Off® o Dow® (fórmula de horno en frío), pero podrían provocar oscurecimientos y decoloración. Se pueden limpiar las rejillas en el horno durante el modo de autolimpieza, pero perderán su acabado brillante y cambiar permanentemente a un gris metálico.
B Fibra de vidrio	NO LIMPIE EL EMPAQUE A MANO.
C Cristal	Eche Spary Windex® o Glass Plus en una tela primero, y luego límpielo. Use Fantastik® o Formula 409® para quitar salpicaduras grasientas.
D Pintura	Limpie con agua jabonosa caliente o aplique Fantastik® o Formula 409® primero a una esponja limpia o una toalla de papel y limpie. Evite el uso de limpiadores en polvo y esponjillas de fibra metálica y detergentes para hornos.
E Porcelana	Limpie de inmediato derrames ácidos como jugos de fruta, leche y jitomate con una toalla seca. No use una esponja/toalla húmeda sobre porcelana caliente. Cuando ya está fría, limpie con agua jabonosa caliente o aplique Bon-Ami® o Soft Scrub® a una esponja húmeda. Enjuague y seque. Para manchas resistentes, use suavemente esponjillas con Brillo® o S.O.S.®. Es normal que la porcelana se agriete (líneas finas) con el tiempo debido a la exposición al calor y a los residuos de comida.
F Cristal reflectante	Limpie con agua caliente jabonosa y una esponja o un estropajo de plástico. Para las manchas de agua, use vinagre, Windex®, amoniaco o Bon-Ami®. NO USE ABRASIVOS DUROS
G Acero inoxidable	Siempre limpie con el grano. Limpie con una esponja jabonosa luego enjuague y seque o limpie con Fantastik® o Formula 409® aplicado a una toalla de papel. Proteja y limpie con Stainless Steel Magic® y un trapo suave. Quite las manchas de agua con un trapo humedecido con vinagre blanco. Use Bar Keeper's Friend® para quitar la decoloración térmica.
H Sonda (si presente)	La limpieza de la sonda ha de realizarse con detergente y agua caliente. Luego enjuague y seque. No ponga a remojo ni meta en el lavavajillas.

Operaciones de mantenimiento que puede hacer usted mismo

Quitar la puerta del horno

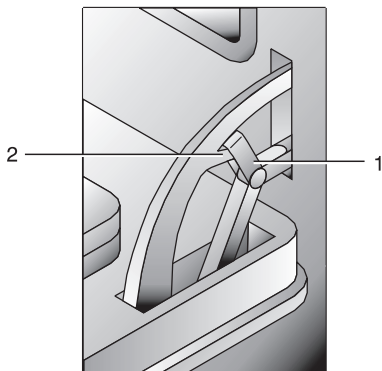
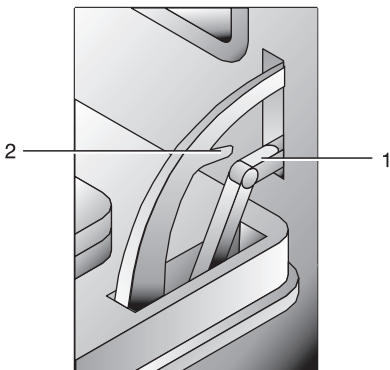


ADVERTENCIA

- Asegúrese de que el horno esté frío y de que se haya apagado la corriente antes de quitarla puerta. De otro modo podría causar una descarga eléctrica o quemaduras.
- La puerta del horno es pesada y frágil. Use ambas manos para quitar la puerta. La parte frontal de la puerta es de vidrio. Maneje con cuidado para evitar que se rompa.
- Agarre solo los costados de la puerta del horno. No use la agarradera ya que podría girar en su mano y causar daños o heridas.
- Si no agarra firmemente y de la manera correcta la puerta del horno podría causar lesiones a personas o daños al producto

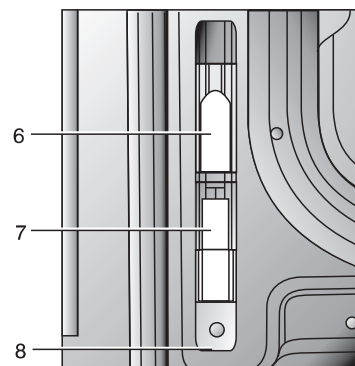
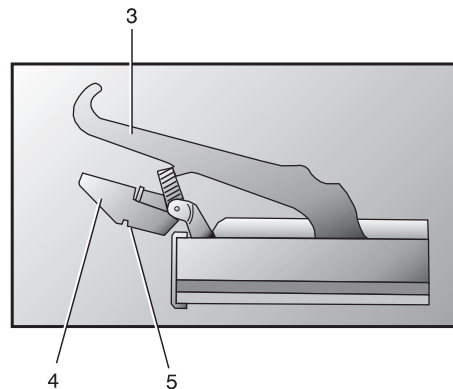
Para quitar la puerta

1. Abra la puerta completamente.
2. Levante los soportes de las bisagras (1) en las ranuras (2).
3. Sujete la puerta firmemente por los dos costados usando las dos manos y cierre la puerta.
4. Sujétela firmemente; la puerta es pesada.
5. Coloque la puerta en un lugar apropiado.



Para volver a colocar la puerta

1. Introduzca las patillas superiores (3) de las dos bisagras en las ranuras superiores (6) y las patillas inferiores (4) en las ranuras inferiores (7). Los batientes (5) se tienen que enganchar en los rebordes (8).
2. Coloque las bisagras (1) hacia atrás en su posición.
3. Cierre y abra la puerta lentamente para asegurarse de que está colocada correctamente y de manera segura.

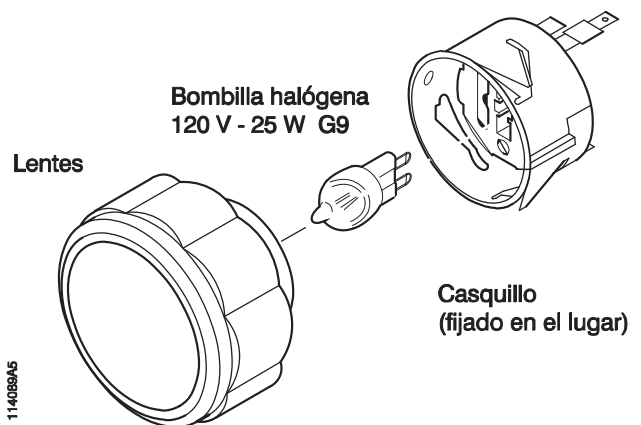
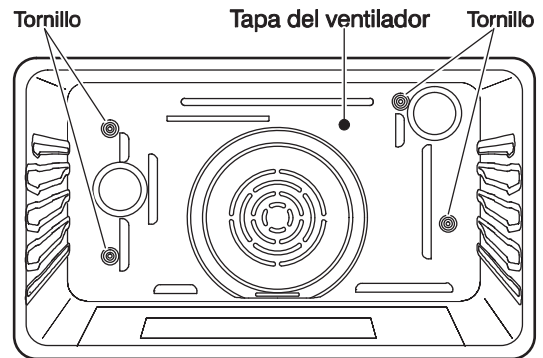


Cambiar una lámpara del horno

- Cada horno está equipado con dos lámparas con bombillas halógenas colocadas en la pared posterior del horno.
- Las luces se enciende cuando las puertas se abren o cuando se encuentra en el ciclo de cocción.
- Las lámparas del horno no están encendidas durante la AUTOLIMPIEZA.
- Cada lámpara consiste en unas lentes removibles, una bombilla y un casquillo que está fijado en su lugar. Vea la figura de esta página.
- La sustitución de la bombilla se considera un mantenimiento de rutina.

Para reemplazar la bombilla

1. Lea la ADVERTENCIA de esta página.
2. Apague la corriente general (caja de fusibles o cortocircuito).
3. En los hornos de convección quite la tapa del ventilador destornillando los 4 tornillos con un destornillador.
4. Desenrosque las lentes.
5. Extraiga la bombilla de su casquillo.
6. Sustituya la bombilla con otra. Evite tocar la bombilla con los dedos, porque la grasa de las manos podría dañar la bombilla cuando se calienta.
7. El foco es de halógeno: Utilizar uno con los mismos Volt y Watt (**ver las figuras de esta página**).
8. Enrosque las lentes.
9. Vuelva a colocar la tapa del ventilador si el modelo está dotado con ello.
10. Restablezca la corriente general (caja de fusibles o cortocircuito).



ADVERTENCIA

- Asegúrese de que el horno y las lámparas estén frías y la corriente está apagada antes de reemplazar la(s) bombilla(s). Puede haber un fallo debido a una descarga eléctrica o a quemaduras.
- Las lentes tienen que estar montadas cuando se usa el horno.
- Las lentes sirven para evitar que se rompan las bombillas.
- Las lentes son de vidrio. Manéjelas con cuidado para evitar que se rompan. Los vidrios rotos pueden causar lesiones.

Resolución de los problemas de horneado

Tanto con el Horneado como con el Horneado de convección, los resultados escasos pueden ocurrir por muchas razones además de por un mal funcionamiento del horno. Controle la tabla para las causas de los problemas más comunes. Debido a que el tamaño, la forma y el material de los utensilios de hornear tienen un efecto directo sobre los resultados del horneado, la mejor solución podría ser remplazar los viejos utensilios de hornear que se han oscurecido y deformado con el tiempo y el uso. Revise también la tabla de Horneado de las páginas de la 78 a la 84, la posición de la rejilla y el tiempo de hornear

<i>Problema de horneado</i>	<i>Causa</i>
Los alimentos se doran poco uniformes	<ul style="list-style-type: none"> • El horno no está precalentado • Papel de aluminio en la rejilla o fondo del horno • Utensilios de hornear son demasiado grandes • Los moldes tienen contacto o tocan la pared
Los alimentos quedan muy	<ul style="list-style-type: none"> • El horno no está precalentado • Se usa un molde de vidrio, mate o de metal oscuro • Posición incorrecta de la rejilla • Los moldes tienen contacto o tocan la pared
Los alimentos quedan muy secos o muy encogidos	<ul style="list-style-type: none"> • Temperatura del horno muy alta • Tiempo de hornear muy largo • Se abrió la puerta del horno frecuentemente • El molde es demasiado grande
Los alimentos se hornean o asan muy lentamente	<ul style="list-style-type: none"> • Temperatura del horno muy baja • El horno no está precalentado • Se abrió la puerta del horno frecuentemente • Muy sellado con papel de aluminio • El molde es demasiado pequeño
Las costras de pays no se doran en el fondo o quedan muy empapadas.	<ul style="list-style-type: none"> • Tiempo de hornear insuficiente • Se usan moldes de acero brillosos • Posición incorrecta de la rejilla • Temperatura del horno muy baja
Los pasteles no se doran y quedan planos, tal vez sin terminar por adentro	<ul style="list-style-type: none"> • Temperatura del horno muy baja • Tiempo de hornear incorrecto • Se probó el pastel antes de tiempo • Se abrió la puerta del horno frecuentemente • El molde es demasiado grande
Los pasteles quedan elevados en el centro con grietas en la parte superior	<ul style="list-style-type: none"> • Temperatura del horno muy alta • Tiempo de hornear muy largo • Los moldes tienen contacto o tocan la pared • Posición incorrecta de la rejilla • El molde es demasiado pequeño
Los bordes de la costra de pays quedan muy dorados	<ul style="list-style-type: none"> • Temperatura del horno muy alta • Los bordes de la costra son muy delgados

Resolución de los problemas de funcionamiento

Antes de ponerse en contacto con el servicio de asistencia técnica, lea la sección "Solución de problemas". Puede que hacerlo le ahorre la llamada. Si no encuentra la solución a su problema en esta sección, siga las instrucciones que encontrará más abajo. Cuando llame al servicio de asistencia, tenga a mano los siguientes datos: fecha de compra, referencia completa del modelo y número de serie de su placa de cocción. Esa información nos ayudará a atenderle.

<i>Problema del horno</i>	<i>Pasos para resolver los problemas</i>
F03 o F04 aparecen en la pantalla	Ocurrió un problema con el bloqueo. Apague la corriente y vuelva a encenderla después de unos segundos. El horno debe realizar una autoprueba de bloqueo. Si la condición sigue igual, anote el número del código y llame a un centro de servicio autorizado.
Otro error_F aparece en la pantalla	Apague la corriente y vuelva a encenderla después de unos segundos. El horno debe realizar una autoprueba de bloqueo. Si la condición sigue igual, anote el número del código y llame a un centro de servicio autorizado.
La pantalla del horno se queda apagada	Apague la corriente general (caja de fusibles o cortocircuito). Vuelva a conectar el circuito. Llame el centro de servicio autorizado.
El ventilador de enfriamiento sigue funcionando después de apagar el horno	Esto es normal. El ventilador se apaga automáticamente cuando los componentes electrónicos se hayan enfriado suficientemente.
La puerta del horno está cerrada y no se abre, aún estando fría	Apague el horno en el cortacircuito y espere unos segundos. Vuelva a conectar el circuito. El horno debe reiniciarse y se podrá operar.
El horno no calienta	Revise el cortacircuito o la caja de fusibles en su casa. Asegúrese de que hay una alimentación eléctrica correcta para el horno. Asegúrese de haber seleccionado la temperatura del horno.
El horno no cocina de un modo uniforme	Revise la calibración del horno. Ajuste la calibración si es necesario (vea Compensación de la Temperatura del Horno, Pág. 76). Consulte las tablas de cocinar para las posiciones recomendadas de rejillas. Siempre reduzca la temperatura de recetas 25°F (15°C) cuando hornea con el modo de horneado de convección.
La temperatura del horno está muy alta o muy baja	Se debe ajustar el termostato del horno. Vea Calibrar la Temperatura del Horno, Pág. 76.
Las luces del horno no funcionan correctamente	Reemplace o reinserte el foco si está flojo o defectuoso. Vea la Pág. 92. La bombilla se puede quemar si lo toca con los dedos.
La luz del horno se queda encendida	Revise si la puerta del horno está obstruida.
No se puede quitar la cubierta del lente	Puede haber sólidos acumulados alrededor de la cubierta. Limpie el área del lente con una toalla seca y limpia antes de tratar de quitar la cubierta de la lente.
El horno no se autolimpia bien	Permita que el horno se enfríe antes de ejecutar la autolimpieza. Siempre elimine suciedades sueltas o derrames pesados antes de la autolimpieza. Si el horno está muy sucio, configure una autolimpieza de cuatro horas. Vea Autolimpieza del Horno, Pág. 87.
El reloj y cronómetro no funcionan bien	Asegúrese de que la corriente eléctrica sea correcta para el horno. Vea las secciones sobre Reloj y Temporizador, Páginas 75.
Hay mucha humedad	Cuando utiliza el modo de hornear debe precalentar el horno. El horneado de convección elimina cualquier humedad en el horno (esta es una de las ventajas de la convección).
Astillas de porcelana	Al quitar y reemplazar las rejillas del horno, siempre debe inclinarlas hacia arriba y no forzarlas para evitar astillar la porcelana.

Registro de datos para el servicio

Cómo obtener servicio Para información sobre servicio autorizado o refacciones, ver el párrafo "Blomberg Garantía."

Al abrir la puerta del horno se puede ver la etiqueta con el número de serie del producto. Se encuentra del lado izquierdo, centrada verticalmente justo dentro de la cavidad del horno. Vea la Pág. 69. Ahora es un buen momento para anotar esta información en el espacio proporcionado abajo. Guarde su factura para validar la garantía.

Número del Modelo _____ Número de Serie _____ Fecha de instalación y ocupación _____

DECLARACIÓN DE GARANTÍA PARA APARATOS DE COCINA BLOMBERG

(hornos de pared / encimeras)

Las garantías proporcionadas por Blomberg en estas declaraciones sólo se aplican a los aparatos de cocina Blomberg (hornos de pared / encimeras) vendidos al comprador original o propietario doméstico en EE.UU. y Canadá. La garantía no es transferible.

Para obtener un servicio en garantía, póngase en contacto con el distribuidor más cercano según la lista por estados, o llame al teléfono 1800-459-9848. Tenga preparados el número de modelo, el número de serie, el nombre y dirección del comercio donde haya adquirido el producto (horno de pared / encimera) y las fechas de compra e instalación.

Esta garantía le otorga derechos legales específicos, independientemente de otros derechos que pueda usted poseer y que varían de un estado a otro.

Todas las garantías que se indican a continuación son de aplicación para un uso doméstico normal del aparato. El uso del aparato con fines comerciales anulará cualquier garantía.

Las operaciones de mantenimiento deben dejarse en manos de un agente de servicio autorizado Blomberg

Deberá informar de los defectos externos en un plazo no superior a 10 días tras la instalación

De acuerdo con la garantía limitada de 1 año * a partir de la fecha de la primera instalación, Blomberg reparará o reemplazará sin coste alguno cualquier pieza defectuosa del aparato de cocina (horno de pared / encimera)

De acuerdo con la garantía limitada de 2 años * ++ a partir de la primera instalación (sólo piezas), Blomberg reparará o sustituirá cualquier pieza sin coste alguno para el consumidor si el daño o fallo de estos componentes ha sido causado por defectos en materiales o mano de obra.

La mano de obra corre a cargo del usuario.

De acuerdo con la garantía limitada de 2-5 años * ++ a partir de la primera instalación (sólo piezas), Blomberg reparará o sustituirá cualquier **placa de circuito control electrónico** sin coste alguno para el consumidor si el daño o fallo de estos componentes ha sido causado por defectos en materiales o mano de obra.

La mano de obra corre a cargo del usuario.

Renuncias a garantías y exclusiones: la garantía no cubre los costes del servicio técnico autorizado relacionados con la corrección de la instalación o de problemas eléctricos o con el adiestramiento sobre el uso de los aparatos de cocina (hornos de pared / encimeras). La garantía tampoco cubre defectos o daños causados por una circunstancia de causa mayor (por ejemplo, tormentas, inundaciones, incendios, avalanchas de lodo, etc.), los daños causados por el uso de los aparatos de cocina (hornos de pared / encimeras) para fines diferentes de aquellos para los que han sido diseñados, usos indebidos, abusos, accidentes, alteraciones, instalación o mantenimiento inadecuados, gastos de desplazamiento, llamadas de servicio fuera de los horarios laborales normales o trabajos de mantenimiento no autorizados.

Este producto ha sido totalmente probado y se ha sometido a inspecciones oficiales de aseguramiento de calidad antes de salir de la fábrica. Los términos de la garantía para este aparato Blomberg no tendrán validez si el producto ha sido alterado o modificado, si se han añadido piezas adicionales, ha sido fijado o reembalado por un distribuidor autorizado, personal de mantenimiento, terceros, revendedores o cualquier otra persona o personas no autorizadas.

HASTA EL PUNTO PERMITIDO POR LA LEY, ESTA GARANTÍA SUSTITUYE A CUALQUIER OTRA GARANTÍA EXPRESA O IMPLÍCITA, INCLUIDAS LAS GARANTÍAS IMPLÍCITAS DE COMERCIABILIDAD Y ADECUACIÓN PARA UN FIN PARTICULAR. BLOMBERG NO ACEPTA NINGUNA RESPONSABILIDAD SOBRE LA CALIDAD DE ESTE PRODUCTO, A EXCEPCIÓN DE LO EXPRESADO EN ESTA DECLARACIÓN DE GARANTÍA. BLOMBERG NO ASUME NINGUNA RESPONSABILIDAD SOBRE LA ADECUACIÓN DEL PRODUCTO PARA CUALQUIER FIN PARTICULAR PARA EL QUE SE ADQUIERA, A EXCEPCIÓN DE LO EXPRESADO EN ESTA DECLARACIÓN DE GARANTÍA.

Blomberg no asume ninguna responsabilidad sobre los daños fortuitos o imprevistos. Tales daños incluyen, de forma enunciativa y no limitativa, la pérdida de beneficios, pérdidas de ahorros o ingresos, pérdida de uso del aparato o cualquier equipo asociado, costes de capital, costes de cualquier equipo, instalación o servicio de sustitución, tiempos de inactividad, reclamaciones de terceros y daños materiales. Algunos estados no permiten la exclusión o limitación de daños fortuitos o imprevistos y, por esta razón, las citadas limitaciones o exclusiones pueden no ser aplicables en su caso particular.

* la fecha de instalación hará referencia a la fecha de compra o 5 días hábiles tras la entrega del producto en la vivienda, la que sea posterior.

++Las piezas sustituidas asumirán la identidad de las piezas originales + su garantía original.

Ninguna otra garantía. Esta declaración de garantía es la garantía completa y exclusiva del

fabricante. Ningún empleado de Blomberg ni ninguna otra persona tienen autoridad para realizar ninguna declaración de garantía además de las incluidas en la presente declaración de garantía.

Guarde esta tarjeta de garantía, el manual de usuario y el justificante de venta.

CÓMO SOLICITAR ASISTENCIA TÉCNICA

Póngase en contacto con el distribuidor de su estado o provincia (consulte la lista de contacto con los distribuidores), o llame al número gratuito 1 800 459 9848, donde le indicarán como ponerse en contacto con un Servicio Técnico Autorizado Blomberg.

02 01

