

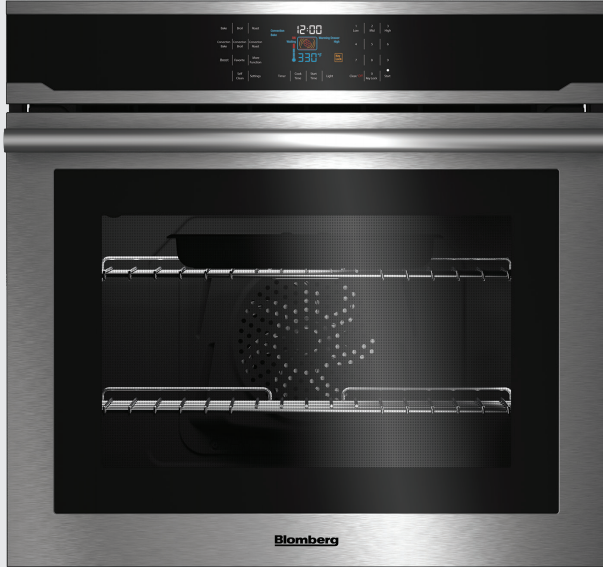


IN HARMONY WITH NATURE,
YOUR LIFE, AND YOU.

Blomberg
seit 1883

30" Single Electric Wall Oven

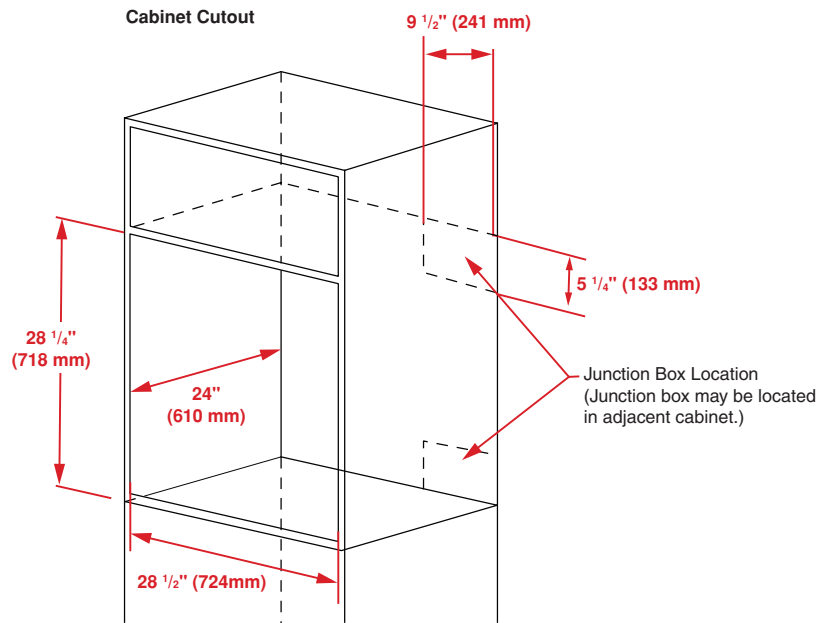
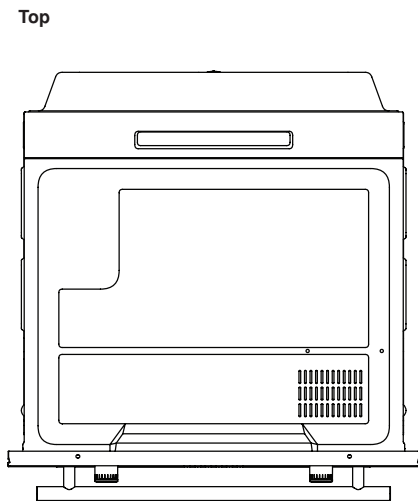
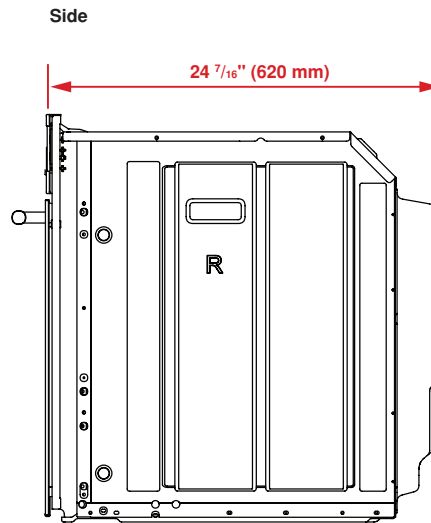
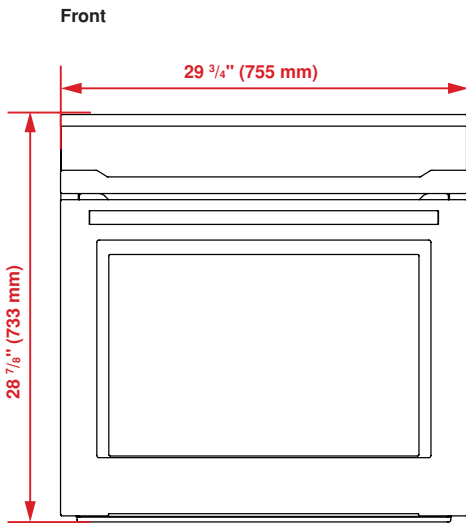
BWOS30200SS



FEATURES

- Sensitive Touch Button Control
- Easy Grip Stainless Steel Handle
- Pyro Proof Black Enamel Cavity
- Full Extension Lower Telescopic Rack
- Two Halogen Lamp Illuminations
- Industry-leading Interior Capacity (5.7 cu. ft.)

GENERAL	
Type	Built-In
Size	30"
Color	Stainless Steel
Oven Type / Upper Oven Type	Multifunction - True Euro Convection
Control Type	Smart LED Display
FUNCTIONS	
Self Clean with Door Latch	Yes
True European Convection	Yes
Roast	Yes
Warming Option	Yes
Slow Cook	Yes
Pizza Cooking	Yes
Bread Proofing	Yes
Bake	Yes
Broil	Yes
Defrost	Yes
SPECIAL FEATURES	
Contemporary European Design	Yes
Programmable Electronic Timer	Yes with Full-Touch
Self clean (Programmable) with Multi Level Selection	Yes
Easy-to-clean Enamel	N/A
Meat Probe	Yes
Display Lock	Yes
Oven Capacity	5.7 cu. ft.
Wire Oven Racks	3 Heavy-duty (with grill pan)
Sabbath Mode	Yes
OVEN DOORS	
Oven Glass Window	Yes
Door Cooling System	4-Pane Heat-resistant Glass
ACCESSORIES / OVEN CAVITY	
Cavity Enamel Color	Black
Rack Positions	4 Embossed
Oven Lights	2 x 20W Halogen
Broil Upper Heating Element	N/A
Upper Auxiliary Element Wattage	N/A
Concealed Bake Lower Heating	N/A
Convection Element Wattage	Yes
Chromed Racks	3
DIMENSIONS	
Required Cutout Dim (H x W x D)	28 1/4 x 28 1/2 x 24 in.
Overall Height	28 7/8 in.
Overall Width	29 3/4 in.
Overall Depth	24 7/16 in.
Weight	89.6 lbs
POWER / RATINGS	
KW / Amps Rating at 240V, 60Hz	220-240 V, 20 A, 60 Hz
Supply Cord	Yes



If installing in lower cabinet, leave 4" (102mm) min clearance below.

NOTE TO THE INSTALLER: All height, width, and depth dimensions are shown in inches (as well as metric). Beko U.S., Inc. reserves the absolute and unrestricted right to change product materials and specifications, at any time, without notice. Please visit our website at www.BlomborgAppliances.com or call 888.352.2356 to verify the latest specifications with final dimensional data and other details prior to installation and making a cutout. Applicable product limited warranty information may be found in accompanying product materials, or you may contact your account manager for further details. Proper installation is the responsibility of the installer. Product failure due to improper installation is not covered under the Limited Warranty.

IN HARMONY WITH NATURE, YOUR LIFE, AND YOU.