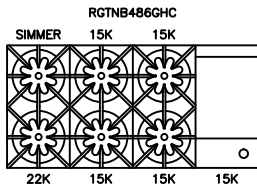
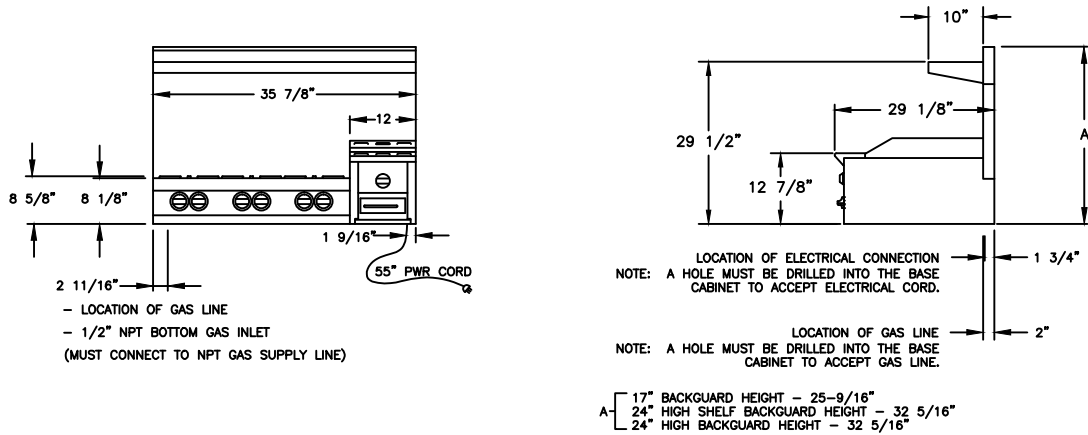


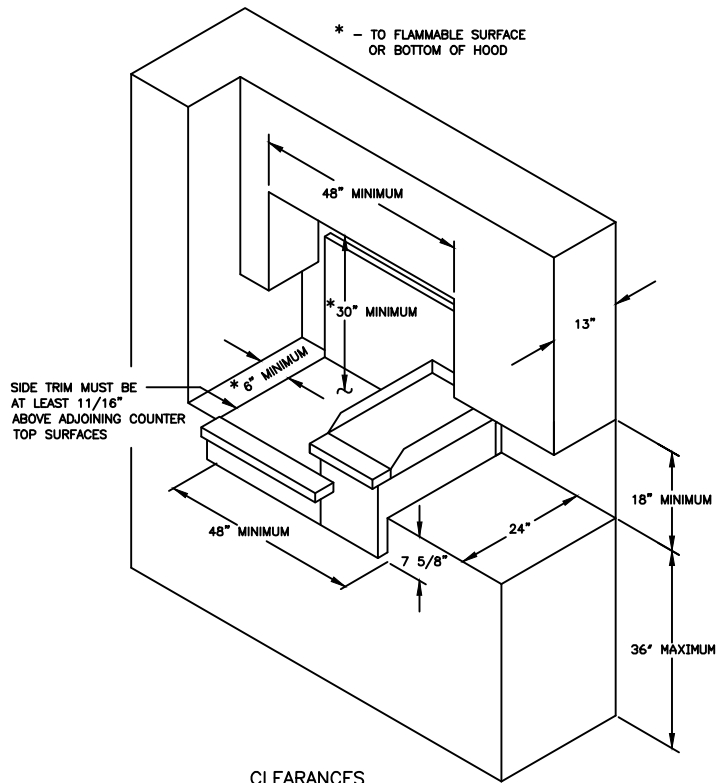
### BLUESTAR 48" RNB V2 COOKTOP SERIES - HERITAGE CLASSIC



### CONFIGURATIONS

#### SPECIFICATIONS:

- SIMMER BURNER RATING \_ \_ \_ \_ 9,000 BTU, 130°F
- TOP NOVA BURNER RATING \_ \_ \_ 15,000 BTU
- TOP PRIMANOVA BURNER RATING \_ \_ 22,000 BTU
  
- GRIDDLE/BROILER BURNER RATING \_ 15,000 BTU
  
- ELECTRICAL REQUIREMENTS \_ \_ \_ 120V, 60Hz, 15 AMPS, 1 PH  
(UNIT MUST BE ON A NON-GFI, DEDICATED OUTLET)
- OPERATING GAS PRESSURE \_ \_ \_ NAT: 5.0" WC  
LP: 10.0" WC
- INSTALLATION CLEARANCE \_ \_ \_ 0" SIDE CABINET  
0" BACK WALL
  
- AVAILABLE BACKGUARD OPTIONS
  - 17" & 24" BACKGUARDS / 24" HIGH SHELF



### CLEARANCES

VISIT [www.bluestarcooking.com](http://www.bluestarcooking.com) FOR CUSTOM CONFIGURATIONS