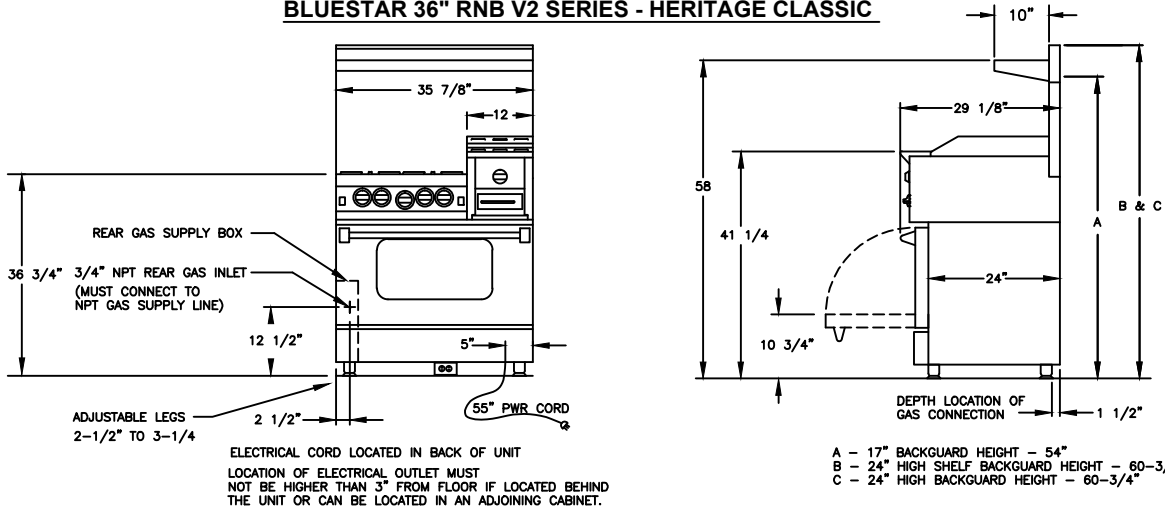
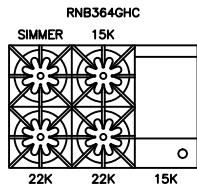


BLUESTAR 36" RNB V2 SERIES - HERITAGE CLASSIC



CONFIGURATIONS



SPECIFICATIONS:

- LARGE OVEN INTERIOR: _ _ _ _ _ 29"W x 20"D x 15"H
- SIMMER BURNER RATING _ _ _ _ _ 9,000 BTU, 130°F
- TOP NOVA BURNER RATING _ _ _ _ _ 15,000 BTU
- TOP PRIMANOVA BURNER RATING _ _ _ _ _ 22,000 BTU
- GRIDDLE/BROILER BURNER RATING _ _ _ _ _ 15,000 BTU
- LARGE OVEN BURNER RATING _ _ _ _ _ 30,000 BTU
- OVEN INFRARED BROILER RATING _ _ _ _ _ 15,000 BTU
- ELECTRICAL REQUIREMENTS _ _ _ _ _ 120V, 60Hz, 15 AMPS, 1 PH (UNIT MUST BE ON A NON-GFI, DEDICATED OUTLET)
- OPERATING GAS PRESSURE _ _ _ _ _ NAT: 5.0" WC
LP: 10.0" WC
- INSTALLATION CLEARANCE _ _ _ _ _ 0" SIDE CABINET
0" BACK WALL

OPTIONS

- AVAILABLE BACKGUARDS
 - 17" & 24" BACKGUARDS / 24" HIGH SHELF
 - CASTERS
 - ADDITIONAL OVEN RACK
 - FULL EXTENSION OVEN RACK
 - 750+ CUSTOM COLORS AND FINISHES
- VISIT www.bluestarcooking.com FOR CUSTOM CONFIGURATIONS

