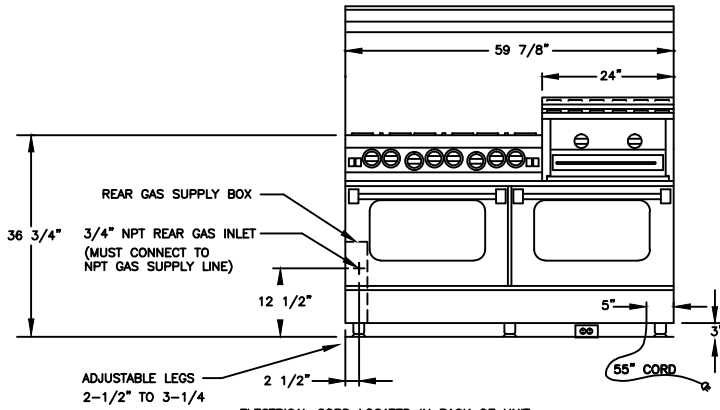
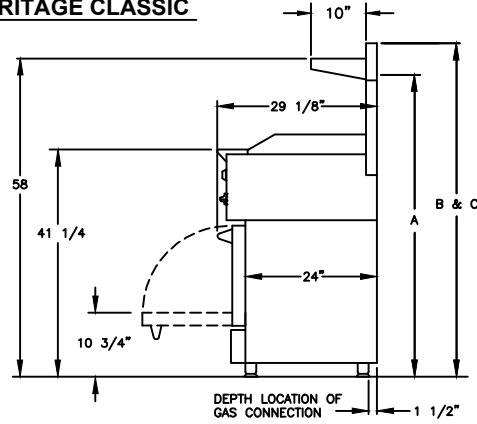


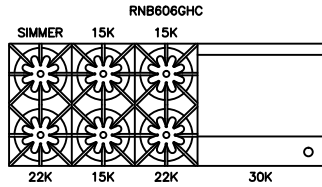
BLUESTAR 60" RNB V2 SERIES - HERITAGE CLASSIC



ELECTRICAL CORD LOCATED IN BACK OF UNIT
 LOCATION OF ELECTRICAL OUTLET MUST NOT BE HIGHER THAN 3" FROM FLOOR IF LOCATED BEHIND THE UNIT OR CAN BE LOCATED IN AN ADJOINING CABINET.



A - 17" BACKGUARD HEIGHT - 54"
 B - 24" HIGH SHELF BACKGUARD HEIGHT - 60-3/4"
 C - 24" HIGH BACKGUARD HEIGHT - 60-3/4"



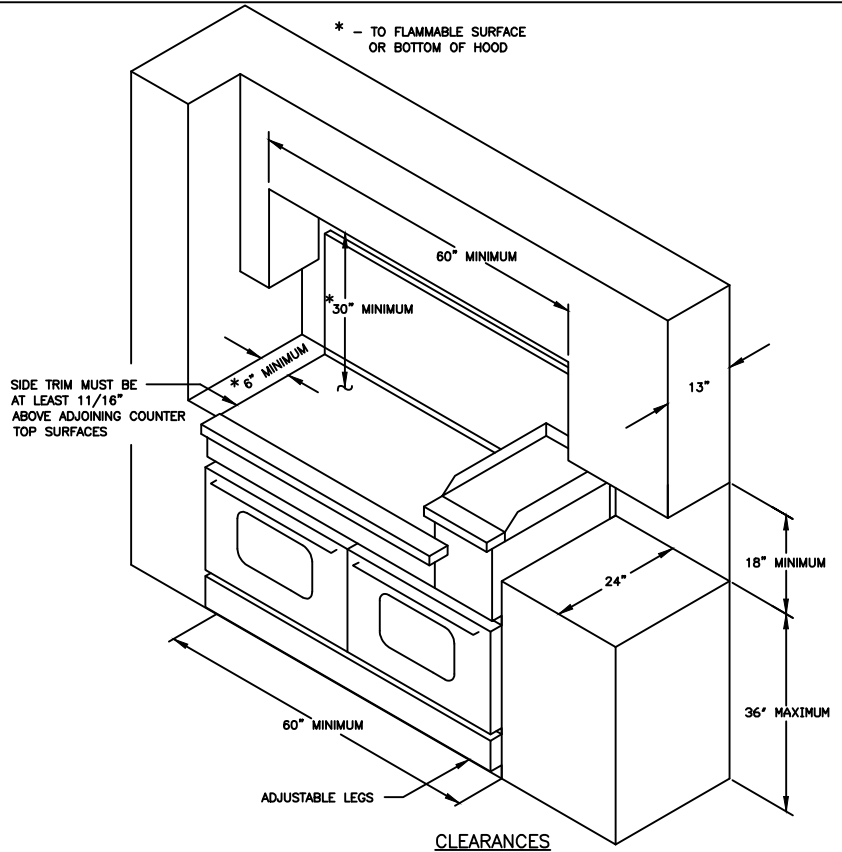
CONFIGURATIONS

SPECIFICATIONS:

- LARGE OVEN INTERIOR: - - - - - 26.25"W x 20"D x 15"H
- SIMMER BURNER RATING - - - - - 9,000 BTU, 130°F
- TOP NOVA BURNER RATING - - - - - 15,000 BTU
- TOP PRIMANOVA BURNER RATING - - - - - 22,000 BTU
- GRIDDLE/BROILER BURNER RATING - - - - - 30,000 BTU
- LARGE OVEN BURNER RATING - - - - - 30,000 BTU
- OVEN INFRARED BROILER RATING - - - - - 15,000 BTU
- ELECTRICAL REQUIREMENTS - - - - - 120V, 60Hz, 15 AMPS, 1 PH
 (UNIT MUST BE ON A NON-GFI, DEDICATED OUTLET)
- OPERATING GAS PRESSURE - - - - - NAT: 5.0" WC
 LP: 10.0" WC
- INSTALLATION CLEARANCE - - - - - 0" SIDE CABINET
 0" BACK WALL

OPTIONS

- AVAILABLE BACKGUARDS
 - 17" & 24" BACKGUARDS / 24" HIGH SHELF
 - CASTERS
 - ADDITIONAL OVEN RACK
 - FULL EXTENSION OVEN RACK
 - 750+ CUSTOM COLORS AND FINISHES
- VISIT www.bluestarcooking.com FOR CUSTOM CONFIGURATIONS



CLEARANCES