

Built to perform as beautifully as they're designed.

2012 Home Appliances Full Product Line



Bosch Home Appliances

1901 Main Street, Suite 600
Irvine, CA 92614
1.800.944.2904

www.bosch-home.com/us (U.S.)
www.bosch-home.ca (Canada)

©2012 BSH Home Appliances Corporation. ©2012 BSH Home Appliances Ltd.
All rights reserved. Bosch is a registered trademark of Robert Bosch GmbH.
All information presented herein is based on data available at the time of printing
and is subject to change without notice.

SAP#2800002070. BSH#12-BOS-0064. 7/12





A German take on engineering.

Every design element is the visual manifestation of a deeply thought-out engineering principle. Our approach is to build a product that works in tandem with the way you live. Every appliance promises you quality engineering, performance and efficiency in a beautifully designed package.

Quality

Bosch builds reliable, dependable appliances that are engineered to the highest standard. All of our premium products are made from the best materials that will last with you through the years.

Sustainability

Our focus is to produce the best, utilize the least and be a brand of substance. Our concern for the greater good pushes us to engineer products that use the least possible amount of energy and water without sacrificing performance.

European design

We bring clean and modern European design to your kitchen. Our philosophy: elegant design language through simplicity and symmetry in everything we build. The flush, built-in capability of our kitchen appliances gives your home an unmatched sleek and sophisticated look.

Technology

For over 125 years we've developed technologies that are engineered to make your life easier. It's technology with you in mind, technology with purpose. We ensure that the way your kitchen runs is a testament to our forward-thinking spirit.

Performance

Our appliances are developed to perform through precision and efficiency, not raw power. With a comprehensive approach to everything we engineer, our appliances are built to offer the best of all worlds.

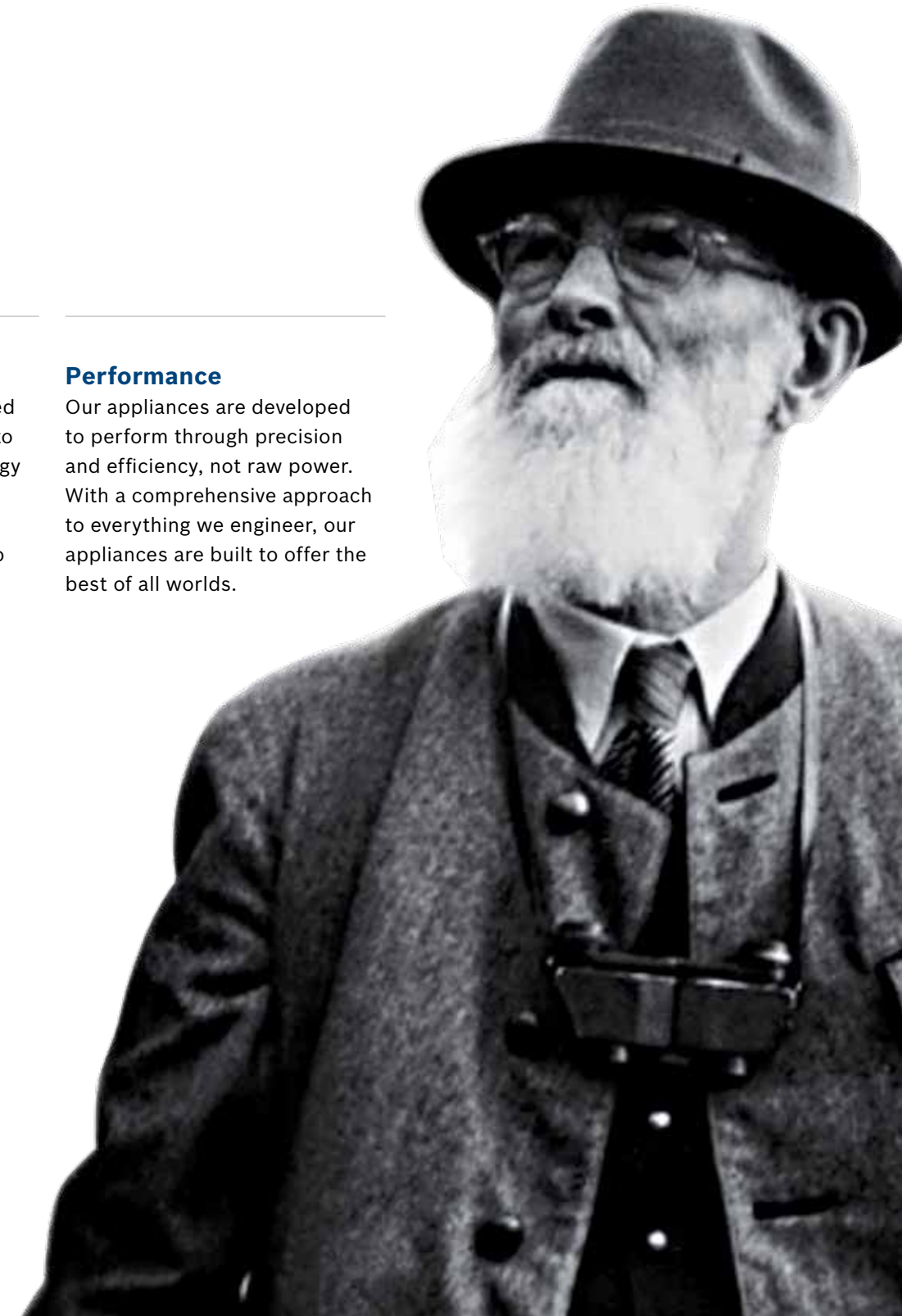








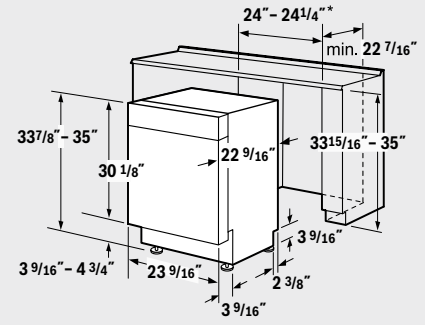


Table of Contents

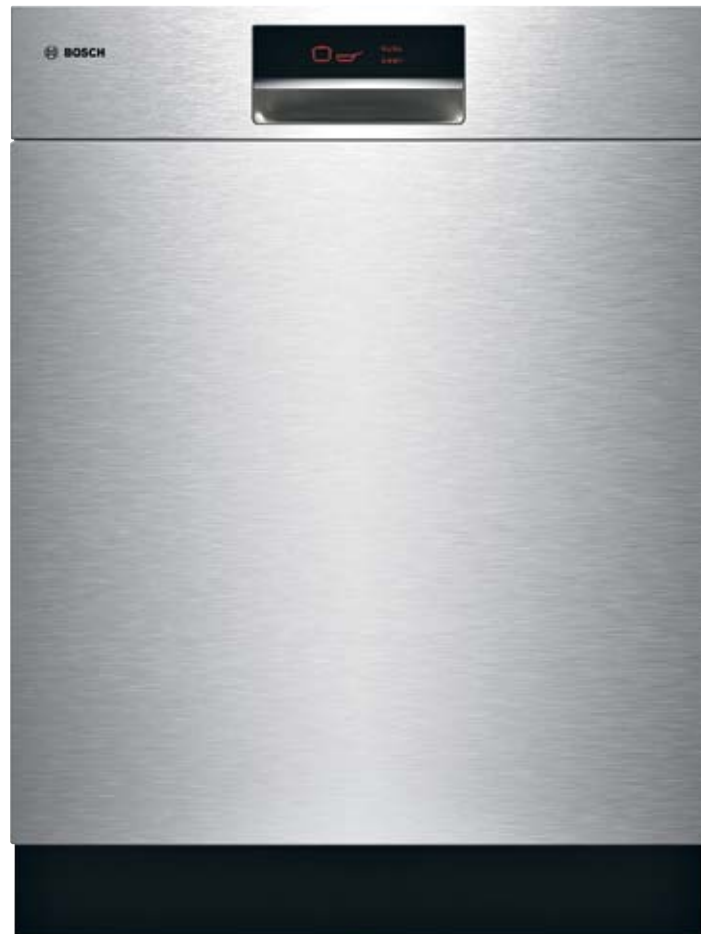
<p>6</p> <p>Dishwashers</p>	<p>24</p> <p>Ovens, Microwaves, and Warming Drawers</p>	<p>36</p> <p>Cooktops</p>	<p>50</p> <p>Ranges</p>	<p>64</p> <p>Ventilation</p>
				

<p>72</p> <p>Refrigeration</p>	<p>84</p> <p>Compact Laundry</p>	<p>92</p> <p>Small Appliances</p>	<p>100</p> <p>Technical Details, Dimensions and Installation</p>
			 <p>24" - 24 1/4"*</p> <p>min. 22 7/16"</p> <p>33 7/8" - 35"</p> <p>30 1/8"</p> <p>22 9/16"</p> <p>33 15/16" - 35"</p> <p>3 9/16"</p> <p>3 9/16"</p> <p>23 9/16"</p> <p>2 3/8"</p> <p>3 9/16"</p> <p>3 9/16" - 4 3/4"</p>



Silent confirmation of an age-old question.

Dishwashers

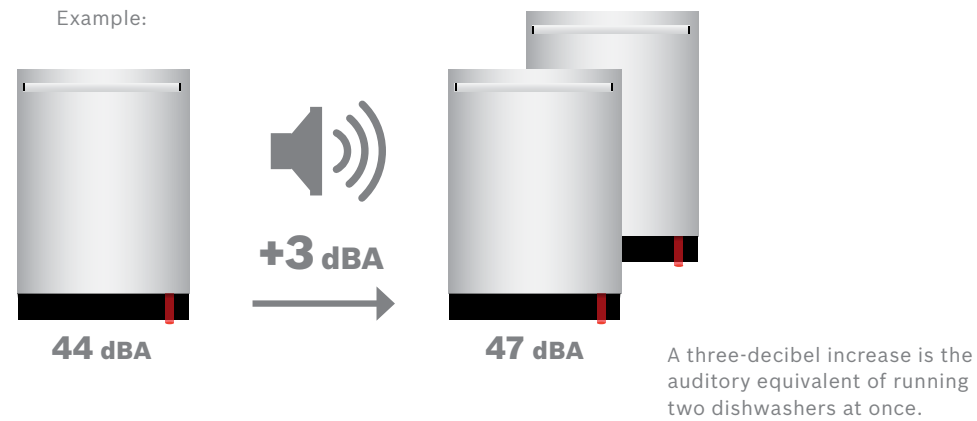


If a dishwasher is on and no one hears it, do your dishes still get clean? The only way you'll know the truth is to try a Bosch. We are the quietest brand in the U.S., and we're not shy about it. With a record low of just 39 dBA, we're barely above a whisper. And with all of this quiet, you still get the performance you expect from a Bosch.

Quietness

Quietest brand

As the quietest dishwashers in North America,* **Bosch has a silence rating as low as 39 dBA** and there is no quieter dishwasher at any Bosch price point.** Noise is measured in decibels (dBA). A whisper is about 30 dBA, and a normal conversation is about 60 dBA. All Bosch quiet levels are certified by an independent lab.



Solid molded base

Solid construction and enhanced insulation **reduce vibration** and add to overall noise reduction.

Two-pump motor system

By using **two small pumps** to individually wash and drain instead of a single large one, vibration and noise are dramatically reduced.

Suspension motor

We've suspended our two-pump motor system using **rubber hammocks to help absorb** and minimize any vibration and noise.

InfoLight®

Sometimes your dishwasher will be so quiet, you won't know it's on. That's why there's InfoLight, **a small red light projected onto the floor** to indicate that your dishwasher is still in one of its cycles.



Efficiency

Most water-efficient

Bosch makes water work better by using less of it, as little as two gallons per cycle. Our dishwashers can save nearly two gallons per cycle—about half as much as the average dishwasher and 125% better than ENERGY STAR® standards—without sacrificing cleaning performance. Bosch dishwashers can save **400 gallons of water** a year.***

Most energy-efficient

The 800 Plus is the **most efficient dishwasher in the U.S.***** At 180 kilowatt hours per year, the 800 Plus far exceeds the federal standard for efficiency.

ActiveWater™

Technology that utilizes design, water pressure and efficiency to turn **two gallons of water into the cleaning power of more than 1,300.**

Flow-through water heater

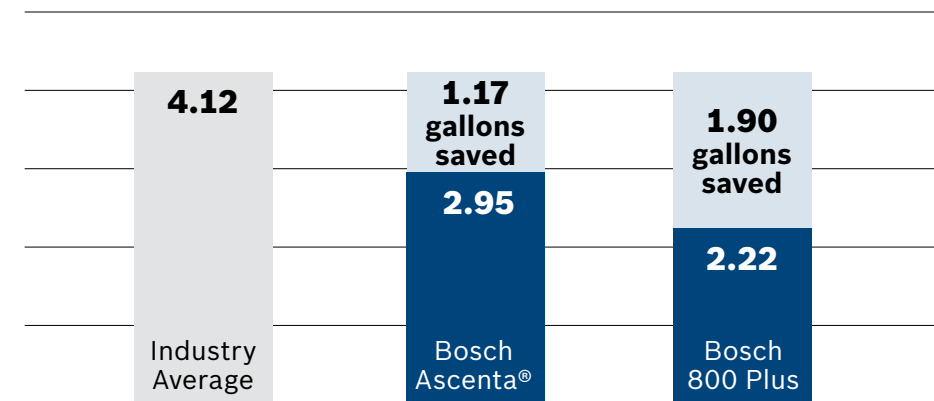
Bosch dishwashers channel 100% of the water through tight coils in a **confined heating chamber**, which heats the water quickly and efficiently.

Half-load

Use this cycle when washing small, lightly soiled loads that fill half or less of the dishwasher's capacity. The Auto Cycle uses **sensor decisions** to dramatically reduce energy and water consumption.

EcoSense®

Adjusts water and heat usage automatically to reduce energy usage by up to 20% while minimizing water usage.



Bosch water usage vs. industry average usage, in gallons per regular wash cycle (2010, AHAM shipments).

*Bosch offers the quietest dishwashers in North America, and no major brand offers a quieter model at any Bosch price point, June 2012. Price point defined by similarly priced and designed models of major brands, obtained from competitors' websites, June 2012.
 **Based on noise measured as acoustic power per IEC standard.
 ***Based on standard-sized dishwashers of major manufacturers on energystar.gov, April 2012.

Quality

German-engineered quality

When we talk about German engineering, we're talking about our commitment to producing the world's best products. That's why Bosch is a **best value and ranked #1** by a leading consumer publication.



Good Housekeeping Seal

For more than 100 years, the Good Housekeeping Seal of Approval has been reassuring consumers that they've made the **smart choice**. Which is why we're proud that Bosch dishwashers are backed by the Good Housekeeping Seal of Approval.



Quality testing

100% of our dishwashers are tested at our New Bern, North Carolina, factory, and go through **485 individual quality control tests** before being shipped. We test dishwashers through their traditional lifespan, up to 4,000 wash cycles, the equivalent of 10 years' use.

Self-latching door

The self-latching door on our Ascenta dishwasher **holds at any position**, and if your door is open at less than 20°, the door will automatically close and latch shut.

Stainless steel tub

Bosch dishwashers' high-quality stainless steel construction retains heat better than plastic tubs, which helps **dry dishes faster** and more efficiently. They also come with a lifetime warranty against rust-through, because not all stainless steel tubs have the same quality.

Custom panel

Pairing a custom cabinet panel with your dishwasher enhances your kitchen's look by giving it a minimalist, avant-garde feel. Its sleek look **disappears into your cabinetry** for a quietly flush installation.



Performance

Variable spray pressure

Higher and lower spray pressure allows for **better load customization** and enhanced cleaning performance, based on the cycle that is selected.

Extra Tall Item sprinkler

Hand-washing large items becomes a thing of the past, thanks to this handy innovation. Simply **remove the top rack** and place your serving platters, cookie sheets, hood filters and refrigerator shelves that are up to 22" high in the bottom rack.

ActiveTab® system

Innovatively designed and integrated into the middle of the dishwasher, ActiveTab **helps dissolve detergent tablets** more efficiently and effectively.

Water softener

The 800 Plus has a water-softening system that softens the water to the optimal level and **eliminates spots** caused by lime deposits left behind by hard water.

Triple-filtration system

The triple-filtration system uses a three-step process to **remove even the finest dirt particles** from the washing cycle, for sparkling-clean dishes and glasses every time. And all three filter elements are self-cleaning for worry-free operation.

Auto Wash

By detecting the amount of water and debris that is drained from the dishwasher each cycle, Auto Wash is able to **optimize the amount of new water** for following cycles, helping to maximize water and energy efficiency while maintaining top performance.



Capacity

800 Plus third rack

Our unique V-shaped rack design helps to separate silverware, making it easier to clean, while **providing extra room** for large, odd-shaped cutlery and small dishes.



Place settings

Each Bosch dishwasher is designed to maximize space and flexibility. With some models able to hold up to **15 place settings** in one load, you get the space you need to organize your dishes and clean them more efficiently.

RackMatic® and RackMatic Plus

The RackMatic and RackMatic Plus upper-basket height adjustment allows for one-step adjustment of the racks when loaded. In two simple steps, customize loading flexibility to accommodate large platters and tall glasses.

Silverware basket

The removable silverware basket can be placed anywhere in the dishwasher, adding space for other items. Plus, the **flexible basket can be split into two pieces**, placed side-by-side or back-to-back, for the ultimate flexibility in loading.



Safety

AquaStop® and AquaStop Plus

Bosch is the only U.S. manufacturer to offer a high-tech leak-protection system in their dishwashers. AquaStop is a precisely engineered tub and sensor system that detects leaks in the solid molded base of the dishwasher, shuts down operation and automatically pumps out water so it cannot make contact with the floor. This eliminates the risk of costly water damage.

The AquaStop Plus, available on the 800 Plus Series, includes an electro valve at the water tap and a unique, double-walled hose system for the **most comprehensive safety system available**.

SaniDry™ condensation drying system

Condensation drying works by heating the dishes with **hot water from the final rinse**. The closed system does not draw outside air into the dishwasher, which makes it the most sanitary way to dry dishes.

24/7 overflow protection system

Only the Ascenta® 24/7 overflow protection system **senses leaks** even if the dishwasher is turned off. If water levels get too high, the dishwasher pumps the water out of the tub and closes the water inlet.

No exposed heating element

Our concealed flow-through water heater **prevents plastic items on the bottom rack from melting** and protects you from accidental burns during unloading.

Sanitize option

By operating at a higher temperature, the sanitize option meets **National Sanitation Foundation (NSF)** standards of cleanliness, eliminating 99.9% of bacteria, and enhances your drying results as well.

Ascenta Series	Ascenta Series	300 Series	500 Series	800 Series	800 Plus Series	800 Plus Series	800 Plus Series
50 dBA	50 dBA	48 dBA	46 dBA	44 dBA	42 dBA	40 dBA	39 dBA
279 kWh/yr	279 kWh/yr	259 kWh/yr	259 kWh/yr	234 kWh/yr	259 kWh/yr	180 kWh/yr	200 kWh/yr
2.95 gal/load	2.95 gal/load	2.95 gal/load	2.95 gal/load	2.9 gal/load	2.0 gal/load	2.0 gal/load	2.0 gal/load
3-, 6-, 9-hour delay start	3-, 6-, 9-hour delay start	InfoLight®	Remaining time indicator InfoLight®	Express Wash Remaining time indicator/LCD InfoLight®	Water softener Third rack	EcoAction® option Water softener	Water softener Third rack
Sanitize option	Sanitize option	Sanitize option	Sanitize option	Sanitize option	Express Wash	Express Wash	Express Wash
Long silverware basket	Long silverware basket	Long silverware basket	Duo flexible silverware basket	Duo flexible silverware basket	Remaining time indicator InfoLight®	Remaining time indicator (large display) InfoLight®	Remaining time indicator/full text LCD InfoLight®
Standard series racks	300 series racks	300 series racks	500 series racks	800 series racks	3-step RackMatic®	3-step RackMatic®	3-step RackMatic®
24/7 overflow protection	24/7 overflow protection	AquaStop®	AquaStop®	AquaStop®	24-hour delay start	24-hour delay start	24-hour delay start
4 cycles, 2 options	6 cycles, 2 options	4 cycles, 1 option	4 cycles, 2 options	6 cycles, 3 options	Sanitize option	Sanitize option	Sanitize option
					Flexible silverware basket	Flexible silverware basket	Flexible silverware basket
					Vario™ racks	VarioFlex™ racks	VarioFlex™ Plus racks
					AquaStop® Plus	AquaStop® Plus	AquaStop® Plus
					5 cycles, 3 options	6 cycles, 5 options	6 cycles, 5 options
							Quietest dishwasher on the market

Dishwasher Specifications



	800 Plus Series	800 Plus Series	800 Plus Series	800 Series	800 Series
Model Numbers	SHE9ER55UC ¹ Stainless Steel Recessed Handle SHX9ER55UC ^{2,3} Stainless Steel Bar Handle SHV9ER53UC ^{2,3} Custom Panel	SHE8ER55UC ¹ Stainless Steel Recessed Handle SHX8ER55UC Stainless Steel Bar Handle	SHE7ER55UC ¹ Stainless Steel Recessed Handle SHX7ER55UC Stainless Steel Bar Handle SHV7ER53UC Custom Panel	SHX98M09UC Stainless Steel Bar Handle	SHE68R55UC ³ Stainless Steel Recessed Handle SHE68R52UC ³ White Recessed Handle SHE68R56UC ³ Black Recessed Handle SHX68R55UC Stainless Steel Bar Handle SHX68R52UC White Bar Handle SHX68R56UC Black Bar Handle SHV68R53UC Custom Panel
Appearance	Stainless Steel TallTub Six Wash Cycles and Five Options Real Stainless Steel Fascia Panel Full Text LCD Display	Stainless Steel TallTub Six Wash Cycles and Five Options Real Stainless Steel Fascia Panel	Stainless Steel TallTub Five Wash Cycles and Three Options Real Stainless Steel Fascia Panel	Stainless Steel TallTub Nine Wash Cycles and Two Options Full Text LCD Display	Stainless Steel TallTub Six Wash Cycles and Three Options Real Stainless Steel Fascia Panel LCD Display
Quietness	Virtually Silent: 39 dBA Solid Base Contains Sound & Prevents Leaks InfoLight® Cycle Indicator LED Quietest Dishwasher in the U.S.	Virtually Silent: 40 dBA Solid Base Contains Sound & Prevents Leaks InfoLight® Cycle Indicator LED	Virtually Silent: 42 dBA Solid Base Contains Sound & Prevents Leaks InfoLight® Cycle Indicator LED	Virtually Silent: 42 dBA Solid Base Contains Sound & Prevents Leaks	Virtually Silent: 44 dBA Solid Base Contains Sound & Prevents Leaks InfoLight® Cycle Indicator LED
Efficiency	Saves 599 Gallons of Water Each Year 200 kWh/yr—ENERGY STAR® Qualified Exceeds ENERGY STAR® Requirements by 35% EcoSense® Reduces Energy Usage up to 20% Half-load Option for Small Loads	Saves 599 Gallons of Water Each Year 180 kWh/yr—ENERGY STAR® Qualified Exceeds ENERGY STAR® Requirements by 41% EcoSense® Reduces Energy Usage up to 20% Half-load Option for Small Loads Most Efficient Dishwasher in the U.S.	Saves 599 Gallons of Water Each Year 259 kWh/yr—ENERGY STAR® Qualified Exceeds ENERGY STAR® Requirements by 16% EcoSense® Reduces Energy Usage up to 20% Half-load Option for Small Loads	Saves 384 Gallons of Water Each Year 190 kWh/yr—ENERGY STAR® Qualified Exceeds ENERGY STAR® Requirements by 38% EcoSense® Reduces Energy Usage up to 20%	Saves 384 Gallons of Water Each Year 234 kWh/yr—ENERGY STAR® Qualified Exceeds ENERGY STAR® Requirements by 24% EcoSense® Reduces Energy Usage up to 20% Half-load Option for Small Loads
Safety	AquaStop® Plus Four-part 24/7 Leak Protection Sanitize Option Removes Bacteria & Enhances Drying	AquaStop® Plus Four-part 24/7 Leak Protection Sanitize Option Removes Bacteria & Enhances Drying	AquaStop® Plus Four-part 24/7 Leak Protection Sanitize Option Removes Bacteria & Enhances Drying	AquaStop® Leak Protection NSF-certified—Eliminates 99.9% of Bacteria Sanitize Option Removes Bacteria & Enhances Drying	AquaStop® Leak Protection NSF-certified—Eliminates 99.9% of Bacteria Sanitize Option Removes Bacteria & Enhances Drying
Capacity	15 Place Setting Capacity VarioFlex™ Plus Racks with Flexible Silverware Basket RackMatic® Plus Allows Three Loading Levels Extra Tall Item Sprinkler Cleans Items 22" Tall Third Rack for Additional Loading Capacity	15 Place Setting Capacity VarioFlex™ Racks with Flexible Silverware Basket RackMatic® Plus Allows Three Loading Levels Extra Tall Item Sprinkler Cleans Items 22" Tall Third Rack for Additional Loading Capacity	15 Place Setting Capacity Vario™ Racks with Flexible Silverware Basket RackMatic® Plus Allows Three Loading Levels Extra Tall Item Sprinkler Cleans Items 22" Tall Third Rack for Additional Loading Capacity	14 Place Setting Capacity 800 Series Racks with Duo-Flex Silverware Basket RackMatic® Automatically Adjustable Upper Rack Extra Tall Item Sprinkler Cleans Items 22" Tall	14 Place Setting Capacity 800 Series Racks with Duo-Flex Silverware Basket RackMatic® Automatically Adjustable Upper Rack Extra Tall Item Sprinkler Cleans Items 22" Tall
Convenience	Multi-function LED with Remaining Time 24-hour Delay Start Timer Express Wash—In 30 Minutes or Less Auto Delicate for Fine China Glass Care Cycle for Fine Glassware	Multi-function LED with Remaining Time 24-hour Delay Start Timer Express Wash—In 30 Minutes or Less Delicate for Fine China Glass Care Cycle for Fine Glassware	Multi-function LED with Remaining Time 24-hour Delay Start Timer Express Wash—In 30 Minutes or Less Delicate for Fine China	Multi-function LED with Remaining Time 24-hour Delay Start Timer Express Wash—In 30 Minutes or Less Auto Delicate for Fine China Glass Care Cycle for Fine Glassware	Multi-function LED with Remaining Time 19-hour Delay Start Timer Express Wash—In 30 Minutes or Less Delicate for Fine China
Performance	Variable Spray Pressure ActiveTab® Tray Optimizes Detergent Dissolving Water Softener Ensures Perfect Cleaning Load-size Sensor Automates Wash Cycle	Variable Spray Pressure ActiveTab® Tray Optimizes Detergent Dissolving Water Softener Ensures Perfect Cleaning	Variable Spray Pressure ActiveTab® Tray Optimizes Detergent Dissolving Water Softener Ensures Perfect Cleaning	Variable Spray Pressure Load-size Sensor Automates Wash Cycle	Variable Spray Pressure
Accessories	SGZ1010UC Drain Hose Extension SMZ5000 800 Plus Four-part Accessory Kit SMZ5002 800 Plus Anti-tarnish Silverware Cassette SGZ9091UC Dishwasher Water Softener Salt	SGZ1010UC Drain Hose Extension SMZ5000 800 Plus Four-part Accessory Kit SMZ5002 800 Plus Anti-tarnish Silverware Cassette SGZ9091UC Dishwasher Water Softener Salt	SGZ1010UC Drain Hose Extension SMZ5000 800 Plus Four-part Accessory Kit SMZ5002 800 Plus Anti-tarnish Silverware Cassette SGZ9091UC Dishwasher Water Softener Salt	SGZ1010UC Drain Hose Extension SGZ1052UC Four-part Accessory Kit SGZPC001UC Power Cord w/Connectors SMZ5002UC Anti-tarnish Silverware Cassette	SGZ1010UC Drain Hose Extension SGZ1052UC Four-part Accessory Kit SGZPC001UC Power Cord w/Connectors SMZ5002UC Anti-tarnish Silverware Cassette

1 Does not include InfoLight® feature 2 Does not include Full Text Display feature. 3 Does not include Real Stainless Steel Fascia Panel feature.

*By a leading consumer publication, February 2012.



Colors

Recessed Handle



Stainless Steel
(SHE43P25UC Model Shown)



Black
(SHE43P26UC Model Shown)



White
(SHE43P22UC Model Shown)

Dishwasher Specifications



	500 Series			500 Series			500 Series			300 Series			300 Series			300 Series		
Model Numbers	SHX55RL5UC	Stainless Steel	Bar Handle	SHE55R55UC	Stainless Steel	Recessed Handle	SHE55M15UC	Stainless Steel	Recessed Handle	SHE43P25UC	Stainless Steel	Recessed Handle	SHE43RL5UC	Stainless Steel	Recessed Handle	SHE43R55UC	Stainless Steel	Recessed Handle
Appearance	Stainless Steel TallTub			Stainless Steel TallTub			Stainless Steel TallTub			Stainless Steel TallTub			Stainless Steel TallTub			Stainless Steel TallTub		
Quietness	Virtually Silent: 46 dBA			Virtually Silent: 46 dBA			Virtually Silent: 47 dBA			Virtually Silent: 52 dBA			Virtually Silent: 48 dBA			Virtually Silent: 48 dBA		
Efficiency	Saves 369 Gallons of Water Each Year			Saves 369 Gallons of Water Each Year			Saves 369 Gallons of Water Each Year			Saves 369 Gallons of Water Each Year			Saves 369 Gallons of Water Each Year			Saves 369 Gallons of Water Each Year		
Safety	AquaStop® Leak Protection			AquaStop® Leak Protection			AquaStop® Leak Protection			AquaStop® Leak Protection			AquaStop® Leak Protection			AquaStop® Leak Protection		
Capacity	14 Place Setting Capacity			14 Place Setting Capacity			14 Place Setting Capacity			14 Place Setting Capacity			14 Place Setting Capacity			14 Place Setting Capacity		
Convenience	Multi-function LED with Remaining Time			Multi-function LED with Remaining Time			Multi-function LED with Remaining Time			Multi-function LED with Remaining Time			Multi-function LED with Remaining Time			Multi-function LED with Remaining Time		
Performance																		
Accessories	SGZ1010UC	Drain Hose Extension		SGZ1010UC	Drain Hose Extension		SGZ1010UC	Drain Hose Extension		SGZ1010UC	Drain Hose Extension		SGZ1010UC	Drain Hose Extension		SGZ1010UC	Drain Hose Extension	
	SGZ1052UC	Four-part Accessory Kit		SGZ1052UC	Four-part Accessory Kit		SGZ1052UC	Four-part Accessory Kit		SGZ1052UC	Four-part Accessory Kit		SGZ1052UC	Four-part Accessory Kit		SGZ1052UC	Four-part Accessory Kit	
	SGZPC001UC	Power Cord w/Connectors		SGZPC001UC	Power Cord w/Connectors		SGZPC001UC	Power Cord w/Connectors		SGZPC001UC	Power Cord w/Connectors		SGZPC001UC	Power Cord w/Connectors		SGZPC001UC	Power Cord w/Connectors	
	SMZ5002UC	Anti-tarnish Silverware Cassette		SMZ5002UC	Anti-tarnish Silverware Cassette		SMZ5002UC	Anti-tarnish Silverware Cassette		SMZ5002UC	Anti-tarnish Silverware Cassette		SMZ5002UC	Anti-tarnish Silverware Cassette		SMZ5002UC	Anti-tarnish Silverware Cassette	

Colors



Stainless Steel
(SHX43R55UC Model Shown)



Black
(SHX43R56UC Model Shown)



White
(SHX43R52UC Model Shown)

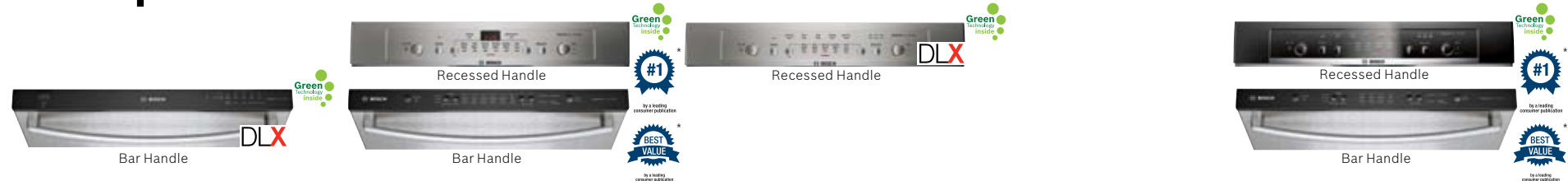


Fully Integrated
(SHV43R53UC Model Shown)



*By a leading consumer publication, February 2012.

Dishwasher Specifications



	300 Series	Ascenta®	Ascenta®	Ascenta®
Model Numbers	SHX33RL5UC Stainless Steel Bar Handle	SHE3AR75UC Stainless Steel Recessed Handle SHE3AR72UC White Recessed Handle SHE3AR76UC Black Recessed Handle SHX3AR75UC* Stainless Steel Bar Handle SHX3AR72UC* White Bar Handle SHX3AR76UC* Black Bar Handle	SHE3ARL5UC Stainless Steel Recessed Handle SHE3ARL2UC White Recessed Handle SHE3ARL6UC Black Recessed Handle	SHE3AR55UC Stainless Steel Recessed Handle SHE3AR52UC White Recessed Handle SHE3AR56UC Black Recessed Handle SHX3AR55UC Stainless Steel Bar Handle SHX3AR52UC White Bar Handle SHX3AR56UC Black Bar Handle
Appearance	Stainless Steel TallTub Four Wash Cycles and One Option	Stainless Steel TallTub w/PP** Six Wash Cycles and Two Options	Stainless Steel TallTub w/PP** Five Wash Cycles and Two Options	Stainless Steel TallTub w/PP** Four Wash Cycles and Two Options
Quietness	Virtually Silent: 50 dBA Solid Base Contains Sound & Prevents Leaks	Virtually Silent: 50 dBA	Virtually Silent: 50 dBA	Virtually Silent: 50 dBA
Efficiency	Saves 369 Gallons of Water Each Year 259 kWh/yr—ENERGY STAR® Qualified Exceeds ENERGY STAR® Requirements by 16% EcoSense® Reduces Energy Usage up to 20%	Saves 369 Gallons of Water Each Year 279 kWh/yr—ENERGY STAR® Qualified Exceeds ENERGY STAR® Requirements by 9% EcoSense® Reduces Energy Usage up to 20% Half-load Cycle for Small Loads	Saves 369 Gallons of Water Each Year 279 kWh/yr—ENERGY STAR® Qualified Exceeds ENERGY STAR® Requirements by 9% EcoSense® Reduces Energy Usage up to 20% Half-load Cycle for Small Loads	Saves 369 Gallons of Water Each Year 279 kWh/yr—ENERGY STAR® Qualified Exceeds ENERGY STAR® Requirements by 9% EcoSense® Reduces Energy Usage up to 20% Half-load Cycle for Small Loads
Safety	AquaStop® Leak Protection NSF-certified—Eliminates 99.9% of Bacteria Sanitize Option Removes Bacteria & Enhances Drying	Bosch Exclusive 24/7 Overflow Leak Protection NSF-certified—Eliminates 99.9% of Bacteria Sanitize Option Removes Bacteria & Enhances Drying	Bosch Exclusive 24/7 Overflow Leak Protection NSF-certified—Eliminates 99.9% of Bacteria Sanitize Option Removes Bacteria & Enhances Drying	Bosch Exclusive 24/7 Overflow Leak Protection NSF-certified—Eliminates 99.9% of Bacteria Sanitize Option Removes Bacteria & Enhances Drying
Capacity	14 Place Setting Capacity 500 Series Upper Rack and Standard Lower Rack with Long Silverware Basket RackMatic® Automatically Adjustable Upper Rack	14 Place Setting Capacity 300 Series Racks with Long Silverware Basket Manual Height Adjustment Upper Rack	14 Place Setting Capacity Standard Racks with Long Silverware Basket	14 Place Setting Capacity Standard Racks with Long Silverware Basket
Convenience		Multi-function LED with Remaining Time Three-, Six-, Nine-hour Delay Start Timer Express Wash—In 30 Minutes or Less Self-latching Door Stays Put and Latches Delicate Wash for Fine China	Three-, Six-, Nine-hour Delay Start Timer Express Wash—In 30 Minutes or Less Self-latching Door Stays Put and Latches	Three-, Six-, Nine-hour Delay Start Timer Self-latching Door Stays Put and Latches
Performance		Variable Spray Pressure	Variable Spray Pressure	Variable Spray Pressure
Accessories	SGZ1010UC Drain Hose Extension SGZ1052UC Four-part Accessory Kit SGZPC001UC Power Cord w/Connectors SMZ5002UC Anti-tarnish Silverware Cassette	SGZ1010UC Drain Hose Extension SGZ1052UC Four-part Accessory Kit SGZPC001UC Power Cord w/Connectors SMZ5002UC Anti-tarnish Silverware Cassette	SGZ1010UC Drain Hose Extension SGZ1052UC Four-part Accessory Kit SGZPC001UC Power Cord w/Connectors SMZ5002UC Anti-tarnish Silverware Cassette	SGZ1010UC Drain Hose Extension SGZ1052UC Four-part Accessory Kit SGZPC001UC Power Cord w/Connectors SMZ5002UC Anti-tarnish Silverware Cassette



*By a leading consumer publication, February 2012 **Polypropylene 4 Does not include Multi-function LED with Remaining Time.



Special Application Dishwasher Specifications



	ADA Compliant 18"	ADA Compliant 24"
Model Numbers	SPE5ES55UC Stainless Steel Recessed Handle SPX5ES55UC Stainless Steel Bar Handle SPV5ES53UC Custom Panel	SGE63E15UC Stainless Steel Recessed Handle SGE63E06UC Black Recessed Handle
Appearance	Stainless Steel Euro Tub (Shorter Height) Four Wash Cycles and Three Options ADA Compliant for Lower Countertop Installation	Stainless Steel Euro Tub (Shorter Height) Six Wash Cycles and Five Options ADA Compliant for Lower Countertop Installation
Quietness	Virtually Silent: 46 dBA Solid Base Contains Sound & Prevents Leaks	Virtually Silent: 49 dBA Solid Base Contains Sound & Prevents Leaks
Efficiency	Saves 353 Gallons of Water Each Year 259 kWh/yr—ENERGY STAR® Qualified Exceeds ENERGY STAR® Requirements by 16% EcoSense® Reduces Energy Usage up to 20% Half-load Option for Small Loads	Saves 599 Gallons of Water Each Year 234 kWh/yr—ENERGY STAR® Qualified Exceeds ENERGY STAR® Requirements by 24% EcoSense® Reduces Energy Usage up to 20% Half-load Option for Small Loads
Safety	AquaStop® Plus Four-part 24/7 Leak Protection Sanitize Option Removes Bacteria & Enhances Drying	AquaStop® Plus Four-part 24/7 Leak Protection Sanitize Option Removes Bacteria & Enhances Drying
Capacity	Nine Place Setting Capacity Premium Racks with Single-Flexible Silverware Basket RackMatic® Automatically Adjustable Upper Rack	14 Place Setting Capacity Vario™ Racks with Flexible Silverware Basket Manual Height Adjustment Upper Rack
Convenience	Multi-function LED with Remaining Time 24-hour Delay Start Timer	Multi-function LED with Remaining Time 24-hour Delay Start Timer Express Wash—In 30 Minutes or Less Delicate Wash for Fine China Glass Care Cycle for Fine Glassware
Performance	Variable Spray Pressure ActiveTab® Tray Optimizes Detergent Dissolving Water Softener Ensures Perfect Cleaning	Variable Spray Pressure ActiveTab® Tray Optimizes Detergent Dissolving Water Softener Ensures Perfect Cleaning
Accessories	SGZ1010UC Drain Hose Extension SMZ5000 Four-part Accessory Kit SMZ5002UC Anti-tarnish Silverware Cassette SGZ9091UC Dishwasher Water Softener Salt SGZPC001UC Power Cord w/Connectors	SGZ1010UC Drain Hose Extension SMZ5000 Four-part Accessory Kit SMZ5002UC Anti-tarnish Silverware Cassette SGZ9091UC Dishwasher Water Softener Salt

Colors



Stainless Steel
(SPX5ES55UC Model Shown)



Custom Panel
(SPV5ES53UC Model Shown)



Stainless Steel
(SGE63E15UC Model Shown)



Black
(SGE63E06UC Model Shown)

Dishwasher Accessories

Accessory Description	Accessory Model No.	Dishwasher Model Numbers
Dishwasher Water Softener Salt	SGZ9091UC	800 Plus and SGE63E only
Stainless Steel Door with Polished and Round Tubular Stainless Steel Handle	SGZ1005UC	SHV68R, SHV55R and SHV43R Only
Stainless Steel Door with Flat and Matte Stainless Steel Handle	SGZ1006UC	SHV68R, SHV55R and SHV43R Only
Flat and Matte Stainless Steel Handle	SGZ1007UC	SHV Only
Accessory Hinge Kit for US Counter Height Installation	SGZ3022	SPV5ES Only
18" Stainless Steel Door with Flat and Matte Stainless Steel Handle	SRZ2045UC	SPV5ES Only
Dishwasher Accessory Kit	SMZ5000	800 Plus and SGE63E Only
Dishwasher Accessory Kit	SGZ1052UC	300, 500, 800 and Ascenta® Only
Anti-tarnish Silverware Cassette	SMZ5002UC	300, 500, 800 and Ascenta® Only
Anti-tarnish Silverware Cassette	SMZ5002	800 Plus and SGE63E only
Long Flexible Silverware Basket	SMZ4000UC	300, 500, 800 and Ascenta® only
Dishwasher Drain Hose Extension	SGZ1010UC	All Models
Dishwasher Power Cord with Connectors	SGZPC001UC	300, 500, 800 and Ascenta® only
500 Series Upper Rack Replacement	SMZ4037UC	300, 500, 800 Purchased Before Aug. 09
500 Series Lower Rack Replacement	SMZ4038UC	300, 500, 800 Purchased Before Aug. 09



Stainless Steel Door
This high-quality stainless steel door provides an attractive and contemporary finish.



Anti-tarnish Silverware Cassette
This specially designed cassette provides the best wash results and protection for your fine silverware.



Dishwasher Accessory Kit
This all-in-one bundle includes the Extra Tall Item sprinkler, vase/bottle holder, three plastic item clips and a small-item basket.



SGZ1005UC (Optional door with polished and round handle)



SGZ1006UC (Optional door with flat and matte handle)



Cooking

Ovens | Microwaves | Warming Drawers | Cooktops | Ranges | Ventilation



Cooking that's so hot, it's cool. It's been said that baking is a science, while cooking is an art. At Bosch, we're built for both. We take the leading science and technology and couple it with a beautiful aesthetic for lasting style. From convection ovens to cooktops, every Bosch kitchen appliance is designed to perform beautifully, ensuring perfect cooking results every time. With our full line of cooking appliances, we've got you covered every step of the recipe. Explore our kitchen and see why you should make it yours.



Bosch is more than hot.

Ovens | Microwaves | Warming Drawers

It's thoughtful and productive. Bosch engineers its ovens, microwaves and warming drawers to strict standards of performance and design.

Ovens

With the largest capacity in their class, efficient convection capabilities and the fastest preheat settings available, it's no wonder Bosch ovens are a top choice for European chefs. Discover for yourself how Bosch performance and design make a delicious addition to your kitchen.

Quality

Telescopic rack

This full-extension rack **glides easily on ball bearings** and extends over the open oven door for easy access, allowing you to baste large cuts of meat and poultry safely without reaching into the oven.

Exclusively recommended

German engineering and precise cooking results have made us the industry's only recommended wall oven by a leading consumer publication.



ClearTouch® glass touch controls

Bosch ovens offer smooth glass touch controls that are as easy to use as they are beautiful. And with **up to 14 heating modes**, the perfect program is available at your fingertips, no matter what dish you want to cook.

Good Housekeeping Seal

All Bosch ovens are backed by the Good Housekeeping Seal—a **two-year limited warranty**.



Performance

#1 in capacity

At 4.7 cubic feet, our oven is **the largest in its class**. An expansive viewing window and bright halogen lighting system make monitoring the progress of your meal easier than ever.

Recessed heating element

A recessed top heating element and a fully concealed bottom heating element allow **unprecedented safety when removing dishes** and extremely easy cleaning.

Genuine European Convection with ACS

Our Advanced Circulation System (ACS) allows food to be **cooked more evenly in up to 30% less time** by optimizing heat circulation. And a powerful 2,000-watt third heating element surrounds the convection fan, circulating pre-heated air throughout the oven.

Fastest preheat

With the **fastest preheat on the market***, Bosch ovens are ready to cook in about seven minutes.

Meat probe

This built-in temperature gauge is perfect for keeping tabs on large roasts and poultry dishes. When your dish reaches the preset internal temperature, the oven beeps and turns itself off – giving you **optimal temperature control**.



Microwaves

For a seamless, stylish display, we have developed a trim kit that allows you to integrate your microwave into any cabinetry. This way, you can extend your appliances' flush, built-in look to your microwave.

Convection

Bosch convection microwaves offer you **faster and more even cooking results** than traditional microwaves.

Multiple recipes

Our microwaves offer **multiple recipe settings** to make cooking easier.



Warming Drawers

Convenient. Functional. Stylish. Bosch offers a warming drawer with four settings for prewarming dishes, heating rolls or keeping food hot for late arrivals.

*Based on cavity sizes of 4.3 cubic feet and larger.

Oven Specifications



Combination



Combination



Double



Double



Double

	800 Series		500 Series		800 Series		500 Series		300 Series	
Model Numbers	HBL8750UC	30" Stainless Steel	HBL5750UC HBL5760UC HBL5720UC	30" Stainless Steel 30" Black 30" White	HBL8650UC	30" Stainless Steel	HBL5650UC HBL5660UC HBL5620UC HBN5650UC	30" Stainless Steel 30" Black 30" White 27" Stainless Steel	HBL3550UC HBL3560UC HBN3550UC	30" Stainless Steel 30" Black 27" Stainless Steel
Appearance	Contemporary Stainless Steel Design ClearTouch® Glass Control Flush-to-Cabinet Design 2-in-1 Design—Oven and Convection Microwave		Contemporary Stainless Steel Design ClearTouch® Glass Control Flush-to-Cabinet Design 2-in-1 Design—Oven and Microwave Retractable Controls for Sleek and Easy-to-Clean Design		Contemporary Stainless Steel Design ClearTouch® Glass Control Flush-to-Cabinet Design		Contemporary Stainless Steel Design ClearTouch® Glass Control Flush-to-Cabinet Design Retractable Controls for Sleek and Easy-to-Clean Design		Contemporary Stainless Steel Design ClearTouch® Glass Control Flush-to-Cabinet Design Dial Controls—Direct Access to Cooking Modes	
Capacity	#1 in Capacity at 4.7 cu ft Recessed Broil Element for Increased Capacity and Safety Hidden Bake Element for Increased Capacity		#1 in Capacity at 4.7 cu ft Recessed Broil Element for Increased Capacity and Safety Hidden Bake Element for Increased Capacity		#1 in Capacity at 4.7 cu ft Recessed Broil Element for Increased Capacity and Safety Hidden Bake Element for Increased Capacity Double Oven for More Capacity and Cooking Flexibility		#1 in Capacity at 4.7 cu ft for 30" #1 in Capacity at 4.2 cu ft for 27" Recessed Broil Element for Increased Capacity and Safety Hidden Bake Element for Increased Capacity Double Oven for More Capacity and Cooking Flexibility		#1 in Capacity at 4.7 cu ft for 30" #1 in Capacity at 4.2 cu ft for 27" Recessed Broil Element for Increased Capacity and Safety Hidden Bake Element for Increased Capacity Double Oven for More Capacity and Cooking Flexibility	
Convenience	Amber-colored Full Text Display Timer with Cook Time and Delay Start Function Extra-large Door Window for Easy Monitoring of Cooking High-quality, Self-cleaning Rack Supports Halogen Lights Provide Superior Cavity Illumination Star-K Certified Full-extension Telescopic Rack for Convenient Handling		Amber-colored Full Text Display Timer with Cook Time and Delay Start Function Extra-large Door Window for Easy Monitoring of Cooking High-quality, Self-cleaning Rack Supports Two Oven Lights to Better Monitor Cooking Progress Star-K Certified		Amber-colored Full Text Display Timer with Cook Time and Delay Start Function Extra-large Door Window for Easy Monitoring of Cooking High-quality, Self-cleaning Rack Supports Halogen Lights Provide Superior Cavity Illumination Star-K Certified Full-extension Telescopic Rack for Convenient Handling		Amber-colored Full Text Display Timer with Cook Time and Delay Start Function Extra-large Door Window for Easy Monitoring of Cooking High-quality, Self-cleaning Rack Supports Two Oven Lights to Better Monitor Cooking Progress Star-K Certified		Amber-colored Display Timer with Cook Time Function Extra-large Door Window for Easy Monitoring of Cooking High-quality, Self-cleaning Rack Supports Two Oven Lights to Better Monitor Cooking Progress	
Performance	Genuine European Convection with ACS Speed Convection Saves up to 30% Time Fast Preheat Reduces Preheat Time to Around Seven Minutes 14 Cooking Modes Custom Cooking Modes: Pizza, Pie, Warm and Proof Meat Probe Takes Guesswork Out of Cooking Recipe Mode Provides 30 Pre-programmed Auto Settings Automatic Temperature Conversion for Convection Cooking		Genuine European Convection with ACS Speed Convection Saves up to 30% Time Fast Preheat Reduces Preheat Time to Around Seven Minutes 14 Cooking Modes Custom Cooking Modes: Pizza, Pie, Warm and Proof Meat Probe Takes Guesswork Out of Cooking Recipe Mode Provides 30 Pre-programmed Auto Settings		Genuine European Convection with ACS Speed Convection Saves up to 30% Time Fast Preheat Reduces Preheat Time to Around Seven Minutes 14 Cooking Modes Custom Cooking Modes: Pizza, Pie, Warm and Proof Meat Probe Takes Guesswork Out of Cooking Recipe Mode Provides 30 Pre-programmed Auto Settings Automatic Temperature Conversion for Convection Cooking		Genuine European Convection with ACS Speed Convection Saves up to 30% Time Fast Preheat Reduces Preheat Time to Around Seven Minutes 14 Cooking Modes Custom Cooking Modes: Pizza, Pie, Warm and Proof Meat Probe Takes Guesswork Out of Cooking Recipe Mode Provides 30 Pre-programmed Auto Settings Thermal Cooking with Bake, Broil and Roast in Lower Oven		Convection Cooking with Bake, Broil and Roast in Upper Oven 10 Cooking Modes Thermal Cooking with Bake, Broil and Roast in Lower Oven	
Efficiency	Two-hour Self-clean Cycle See HMB8050 for Microwave Features		Two-hour Self-clean Cycle See HMB5050 for Microwave Features		Two-hour Self-clean Cycle		Two-hour Self-clean Cycle		Two-hour Self-clean Cycle	
Accessories	HEZ1070	30" Ball-bearing Telescopic Rack	HEZ1070	30" Ball-bearing Telescopic Rack	HEZ1070	30" Ball-bearing Telescopic Rack	HEZ1070 HEZ1077	30" Ball-bearing Telescopic Rack 27" Ball-bearing Telescopic Rack	HEZ1070 HEZ1077	30" Ball-bearing Telescopic Rack 27" Ball-bearing Telescopic Rack

Colors



Stainless Steel
(HBL5750UC Model Shown)



Black
(HBL5760UC Model Shown)



White
(HBL5720UC Model Shown)



Oven Specifications



Single



Single



Single



Single

	800 Series		500 Series		300 Series		300 Series	
Model Numbers	HBL8450UC	30" Stainless Steel	HBL5450UC HBL5460UC HBL5420UC HBN5450UC	30" Stainless Steel 30" Black 30" White 27" Stainless Steel	HBL3450UC HBL3460UC HBN3450UC	30" Stainless Steel 30" Black 27" Stainless Steel	HBL3350UC HBL3360UC	30" Stainless Steel 30" Black
Appearance	Contemporary Stainless Steel Design		Contemporary Stainless Steel Design		Contemporary Stainless Steel Design		Contemporary Stainless Steel Design	
	ClearTouch® Glass Control		ClearTouch® Glass Control		ClearTouch® Glass Control		ClearTouch® Glass Control	
	Flush-to-Cabinet Design		Flush-to-Cabinet Design		Flush-to-Cabinet Design		Flush-to-Cabinet Design	
Capacity	#1 in Capacity at 4.7 cu ft		#1 in Capacity at 4.7 cu ft for 30" #1 in Capacity at 4.2 cu ft for 27"		#1 in Capacity at 4.7 cu ft for 30" #1 in Capacity at 4.2 cu ft for 27"		#1 in Capacity at 4.7 cu ft	
	Recessed Broil Element for Increased Capacity and Safety		Recessed Broil Element for Increased Capacity and Safety		Recessed Broil Element for Increased Capacity and Safety		Recessed Broil Element for Increased Capacity and Safety	
	Hidden Bake Element for Increased Capacity		Hidden Bake Element for Increased Capacity		Hidden Bake Element for Increased Capacity		Hidden Bake Element for Increased Capacity	
Convenience	Timer with Cook Time and Delay Start Function		Timer with Cook Time and Delay Start Function		Timer with Cook Time and Delay Start Function		Timer with Cook Time Function	
	Extra-large Door Window for Easy Monitoring of Cooking		Extra-large Door Window for Easy Monitoring of Cooking		Extra-large Door Window for Easy Monitoring of Cooking		Extra-large Door Window for Easy Monitoring of Cooking	
	High-quality, Self-cleaning Rack Supports		High-quality, Self-cleaning Rack Supports		High-quality, Self-cleaning Rack Supports		High-quality, Self-cleaning Rack Supports	
	Halogen Lights Provide Superior Cavity Illumination		Two Oven Lights to Monitor Cooking Progress		One Oven Light to Monitor Cooking Progress		One Oven Light to Monitor Cooking Progress	
	Star-K Certified		Star-K Certified					
	Full-extension Telescopic Rack for Convenient Handling							
Performance	Genuine European Convection with ACS		Genuine European Convection with ACS		Convection Cooking with Bake, Broil and Roast		Thermal Cooking with Bake, Broil and Roast	
	Speed Convection Saves up to 30% Time		Speed Convection Saves up to 30% Time					
	14 Cooking Modes		14 Cooking Modes		10 Cooking Modes			
	Custom Cooking Modes: Pizza, Pie, Warm and Proof		Custom Cooking Modes: Pizza, Pie, Warm and Proof					
	Fast Preheat Reduces Preheat Time to Around Seven Minutes		Fast Preheat Reduces Preheat Time to Around Seven Minutes					
	Meat Probe Takes Guesswork Out of Cooking		Meat Probe Takes Guesswork Out of Cooking					
	Recipe Mode Provides 30 Pre-programmed Auto Settings		Recipe Mode Provides 30 Pre-programmed Auto Settings					
	Automatic Temperature Conversion for Convection Cooking							
Efficiency	Two-hour Self-clean Cycle		Two-hour Self-clean Cycle		Two-hour Self-clean Cycle		Two-hour Self-clean Cycle	
Accessories	HEZ1070	30" Ball-bearing Telescopic Rack	HEZ1070	30" Ball-bearing Telescopic Rack	HEZ1070	30" Ball-bearing Telescopic Rack	HEZ1070	30" Ball-bearing Telescopic Rack
			HEZ1077	27" Ball-bearing Telescopic Rack	HEZ1077	27" Ball-bearing Telescopic Rack		

Colors



Stainless Steel
(HBL5750UC Model Shown)



Black
(HBL5760UC Model Shown)



White
(HBL5720UC Model Shown)

Ovens | Microwaves | Warming Drawers

*Recommended by a leading consumer publication five times in a row.



Microwave Specifications



Over-the-Range



Over-the-Range



Over-the-Range



Built-In*



Built-In*

Colors



Stainless Steel
(HMB5050 Model Shown*)



Black
(HMB5060 Model Shown*)



White
(HMB5020 Model Shown*)

	800 Series		500 Series		300 Series	
Model Numbers	HMV8051U	Stainless Steel	HMV5051U	Stainless Steel	HMV3051U HMV3061U HMV3021U	Stainless Steel Black White
Appearance	OTR Microwave Design—Matched for Use in Combination with Bosch Range or Cooktop		OTR Microwave Design—Matched for Use in Combination with Bosch Range or Cooktop		OTR Microwave Design—Matched for Use in Combination with Bosch Range or Cooktop	
	Exclusive Stainless Steel Handle		Exclusive Stainless Steel Handle		Exclusive Stainless Steel Handle	
	Stainless Steel Vent Grid		Stainless Steel Vent Grid		Stainless Steel Colored Vent Grid	
	Easy-to-read LCD Display		Easy-to-read LCD Display		Easy-to-read LCD Display	
Capacity	1.5-cu ft Large Oven Cavity		1.7-cu ft Large Oven Capacity		1.6-cu ft Large Oven Cavity	
	13½" Glass Turntable		Large 13½" Glass Turntable		Large 13½" Glass Turntable	
Convenience	Easy-to-use Touch Control		Easy-to-use Touch Control		Easy-to-use Touch Control	
	Side-hinged Door Allows Full Access to Microwave Cavity		Side-hinged Door Allows Full Access to Microwave Cavity		Side-hinged Door Allows Full Access to Microwave Cavity	
	Recirculation or Outside Venting Options		Recirculation or Outside Venting Options		Recirculation or Outside Venting Options	
	Reheat Setting Automatically Determines Power Level and Cooking Time		Reheat Setting Automatically Determines Power Level and Cooking Time		Reheat Setting Automatically Determines Power Level and Cooking Time	
	Potato Program		Potato Program		Potato Program	
	Automatic Defrost Automatically Determines Power Level and Cooking Time		Automatic Defrost Automatically Determines Power Level and Cooking Time		Automatic Defrost Automatically Determines Power Level and Cooking Time	
	Popcorn Program—Get Fully “Popped” Popcorn Simply by Entering the Bag Size		Popcorn Program—Get Fully “Popped” Popcorn Simply by Entering the Bag Size		Popcorn Program—Get Fully “Popped” Popcorn Simply by Entering the Bag Size	
	Timer with Cook Time and Automatic Shut Off Function		Timer with Cook Time and Automatic Shut Off Function		Timer with Cook Time and Automatic Shut Off Function	
	Convenient Kitchen Timer		Convenient Kitchen Timer		Convenient Kitchen Timer	
	Easily Adds 30 Seconds to Cooking Time		Easily Adds 30 Seconds to Cooking Time		Easily Adds 30 Seconds to Cooking Time	
	Quick Setting for 1, 2, 3, 4, 5 or 6 Minute Cooking at 100% Power		Quick Setting for 1, 2, 3, 4, 5 or 6 Minute Cooking at 100% Power		Quick Setting for 1, 2, or 3 Minute Cooking at 100% Power	
	Two-level Microwave Cooking		Two-level Microwave Cooking			
	Easy-clean Closed Stainless Steel Air Vent		Easy-clean Closed Stainless Steel Air Vent			
	Eight Sensor Programs		Eight Sensor Programs			
Performance	900-watt Microwave Power		1,000-watt Microwave Power		1,000-watt Microwave Power	
	10 Microwave Power Levels		10 Microwave Power Levels		10 Microwave Power Levels	
	Two-speed Vent with up to 300 CFM		Two-speed Vent with up to 300 CFM		Two-speed Vent with up to 300 CFM	
	Two 30-watt Lights for Bright Cooktop Illumination		Two 30-watt Lights for Bright Cooktop Illumination		Two 30-watt Lights for Bright Cooktop Illumination	
	Convection Cooking					
Accessories	Charcoal Filter Included		Charcoal Filter Included		Charcoal Filter Included	

	800 Series		500 Series	
Model Numbers	HMB8050 HMB8060 HMB8020	Stainless Steel Black White	HMB5050 HMB5060 HMB5020	Stainless Steel Black White
Appearance	Built-in Convection Microwave Design—Matched for Use in Combination with Bosch Wall Oven		Built-in Microwave Design—Matched for Use in Combination with Bosch Wall Oven	
	Contemporary Stainless Steel Design		Contemporary Stainless Steel Design	
	Flush-to-cabinet Design		Flush-to-cabinet Design	
	ClearTouch® Glass Control		ClearTouch® Glass Control	
	Available with 27" or 30" Trim Kit for Built-in Installation		Available with 27" or 30" Trim Kit for Built-in Installation	
Capacity	1.5-cu ft Stainless Steel Cavity		2.1-cu ft Large Cavity	
	15" Recessed Ceramic Turntable		16 ½" Recessed Glass Turntable	
Convenience	Amber-colored LCD Display		Amber-colored LCD Display	
	Keep Warm Program		Keep Warm Program	
	Quick Min. Conveniently Adds Cooking Time with One Touch		Quick Min. Conveniently Adds Cooking Time with One Touch	
	Convenient Automatic Sensor Programs Simplify Cooking for Great Results		Convenient Automatic Sensor Programs Simplify Cooking for Great Results	
	Smart Sensor Reheat Program Automatically Sets Cooking Power and Time Based on Serving Size		Smart Sensor Reheat Program Automatically Sets Cooking Power and Time Based on Serving Size	
	Quick Defrost—Defrosts Foods such as Meat, Poultry and Seafood		Quick Defrost—Defrosts Foods such as Meat, Poultry and Seafood	
	Popcorn Program—Get Fully “Popped” Popcorn Simply by Entering the Bag Size		Popcorn Program—Get Fully “Popped” Popcorn Simply by Entering the Bag Size	
	Timer with Cook Time and Delay Start Function		Timer with Cook Time and Delay Start Function	
	Automatic Convection Bake for Cake and Pie			
			Beverages—Reheats One or Two Cups of Room Temperature Beverages Without Setting Power and Time	
Performance	1,000-watt Microwave Power		1,200-watt Microwave Power	
	10 Microwave Power Levels		10 Microwave Power Levels	
	Innovative Microwave Inverter Technology—More Even Cooking from Center to Crust		Innovative Microwave Inverter Technology—More Even Cooking from Center to Crust	
	Genuine European Convection with ACS			
	Convection Bake for Even Baking of Smaller Items			
Accessories	HMT8750	27" Built-In Trim Kit SS	HMT5750	27" Built-In Trim Kit SS
	HMT8050	30" Built-In Trim Kit SS	HMT5050	30" Built-In Trim Kit SS
	HMT8060	30" Built-In Trim Kit Black	HMT5060	30" Built-In Trim Kit Black
	HMT8020	30" Built-In Trim Kit White	HMT5020	30" Built-In Trim Kit White

*Built-in microwave shown with trim kit. Microwave and trim kit sold separately.



Warming Drawer Specifications



30"



27"

	500 Series		500 Series	
Model Numbers	HWD3050UC HWD3060UC HWD3020UC	Stainless Steel Black White	HWD2750UC	Stainless Steel
Appearance	Built-in Warming Drawer Design-matched for Use in Combination with Bosch Wall Oven ClearTouch® Glass Control Flush-to-Cabinet Design		Built-in Warming Drawer Design-matched for Use in Combination with Bosch Wall Oven ClearTouch® Glass Control Flush-to-Cabinet Design	
Capacity	2.0-cu ft Large Cavity Lower Side Walls Allow Easy Loading and Unloading of Drawer		1.8-cu ft Large Cavity Lower Side Walls Allow Easy Loading and Unloading of Drawer	
Convenience	Sturdy Ball-bearing Telescopic Rails for Smooth Opening Moisture Selector to Adjust Humidity Level Inside the Drawer (e.g., "Moist" to Keep a Roast Warm) Star-K Certified Automatic Shut-off Function with Adjustable Timer		Sturdy Ball-bearing Telescopic Rails for Smooth Opening Moisture Selector to Adjust Humidity Level Inside the Drawer (e.g., "Moist" to Keep a Roast Warm) Star-K Certified Automatic Shut-off Function with Adjustable Timer	
Performance	450-watt Heating Element Concealed Below Drawer Three Temperature Levels Special Dough Proofing Mode		450-watt Heating Element Concealed Below Drawer Three Temperature Levels Special Dough Proofing Mode	

Colors



Stainless Steel
(HWD3050UC Model Shown)



Black
(HWD3060UC Model Shown)



White
(HWD3020UC Model Shown)



Three brilliant ways to cook. One superior way to engineer them.

Induction | Gas | Electric



We know the importance of precision in cooking, and we also recognize the importance of design. There is no kitchen more sophisticated than one brandishing a Bosch cooktop. For some, an open flame brings out their inner chef, and for others, modern meals are best interpreted through induction glass. Bosch approaches the kitchen in as personal a way as you do, because we know your meals are being prepared for the most important people in your world.

Induction Cooktops

Induction cooktops are a revolutionary way of cooking that use the power of electromagnetic waves to quickly and efficiently turn the bottom of a pot into an active heating surface, rather than the cooktop. Induction cooktops use 60% less energy than cooking with gas and heat food over two times faster than electric cooktops.

Safety

ChildLock

Bosch induction cooktops take safety up a notch. The ChildLock function **prevents the cooktop from being accidentally switched on**.

Anti-overflow system

Sensors in the glass can **detect large spills or excessive overflow**, automatically shut off the cooktop, and sound an alarm to alert you of the situation.

Automatic shut-off system

Safety comes first. So Bosch induction cooktops are designed to **automatically switch off** when the unit exceeds a maximum temperature limit.

Heat indicator

A light on the cooktop **warns if the surface is hot** due to any residual heat from cooking vessel.

Safe Start

This safety feature accurately **distinguishes between pots or pans and smaller items like utensils** that may accidentally be left on the cooktop, and ensures that each cooking element will only heat up if a pot is detected on the cooking surface.

Clean Lock

Clean Lock **prevents unwanted changes** to settings while you clean spillovers.

Quality

PreciseSelect™

Easily change the heat level of the cooktop by simply selecting any of the **17 different levels** with a single touch.

SteelTouch™ controls

Offers **more responsiveness** than glass controls while providing a seamless, sharp stainless steel design.

AutoChef®

Patented AutoChef technology takes the guesswork out of cooking by **maintaining the ideal temperature** for perfect cooking results every time.

CountDown™ timer

The days of working over a hot stove are long gone, thanks to this ingenious function that allows you to **preset a cooking time for each individual heating element**. Now you can multitask in the kitchen, and the cooktop will automatically shut off individual cooking elements when their programmed time has expired.

Performance

Class-leading 11" element

Conducting up to 4,400 watts of power, the 11" element on the 36" cooktop is the **most powerful in its price class**.

SpeedBoost®

For time savings as well as energy savings, the SpeedBoost function can **heat water twice as fast** as a conventional ceramic cooktop.

Efficiency

PotSense™

Bosch induction cooktops detect if a pot is placed on a cooking element and **automatically adjusts the cooking field** to the size of the pot bottom. This makes your kitchen cooler, more energy-efficient, and safer.



Gas Cooktops

To create a variety of dishes, you need a versatile cooktop. High-BTU-output burners deliver power for searing, while a separate, low-output burner provides gentle simmering. The large knobs are easy to adjust to get the perfect flame. Multiple-size burners accommodate all cooking styles. And the burners' sealed, recessed design contains spills and makes cleanup easy.

Performance

Continuous grates

These are the **same types of grates found in restaurant kitchens**, letting you slide and move pots off of an active burner or rearrange them without fear of tipping or spilling. They also give the cooktop a high-grade, quality appearance that really makes an impression.

PowerSim® burner

This feature, available on our largest burner, uses a diffuser cap to output a large flame of up to **18,000 BTU for quick heating**, and can gently simmer like a small burner.

30" five-burner gas cooktop

The industry-leading 30" five-burner provides **high performance and versatility** in a 30" space.

OptiSim® burner

This Bosch burner heats at a low BTU to delicately simmer even the most sensitive sauces or melt chocolate by **evenly spreading the flame** across the bottom of the pot to help prevent scorching.

Safety

Automatic reignition

The automatic reignition will **generate a spark and reignite** the burner if the flame should go out.



Electric Cooktops

From the simple elegance of the ceramic-glass cooking surface to the exciting performance features, Bosch electric cooktops are the very image of understated sophistication for the kitchen. Whether you choose the refined touch-control models or the familiarity of our rotary-dial units, you'll find a model that suits your design aesthetic and cooking style.

Quality

PreciseSelect™

Easily change the heat level of the cooktop by simply selecting any of the **17 different levels** with a single touch.

SteelTouch™ controls

Offers **more responsiveness** than glass controls while providing a seamless, sharp stainless steel design.

AutoChef®

Patented AutoChef technology takes the guesswork out of cooking by **maintaining the ideal temperature** for perfect cooking results every time.

CountDown™ timer

The days of working over a hot stove are long gone, thanks to this ingenious function that allows you to **preset a cooking time for each individual heating element**. Now you can multitask in the kitchen, and the cooktop will automatically shut off the individual cooking elements when their programmed time has expired.

Glass touch control

This touch-sensitive control panel uses the **most advanced technology** on the market. It has a digital readout of the chosen power setting and residual heat indicator to prevent accidental injury.

Performance

PowerStart®

This feature temporarily increases and holds the temperature at the most powerful setting. Then it gradually declines to your preset level. This **reduces cooking time** and offers the convenience of one-button operation.

Keep Warm function

When this function is selected, it enables you to reduce the cooking power to as little as 3% of normal—much greater temperature control than conventional cooktops offer you. **This brings the heat to a perfect level** to keep meals warm, or to simmer soups.

Dual-element burners

Burners provide solutions to multiple cookware sizes. They are designed to **use the cooking space more efficiently** than single elements.

Triple-element burners

The burners are available in 6"/8"/12" configurations, and are designed to efficiently accommodate a wide variety of cookware **without wasting energy unnecessarily**.

Bridge element

Connects two burners, creating an **elongated cooking surface** for larger, oval-shaped pans.

Safety

ChildLock

Bosch electric cooktops take safety up a notch. **The ChildLock function** prevents the cooktop from being accidentally switched on.

Automatic shut-off system

Safety comes first. So Bosch electric cooktops are designed to **automatically switch off** when the unit exceeds a maximum temperature limit.

Clean Lock

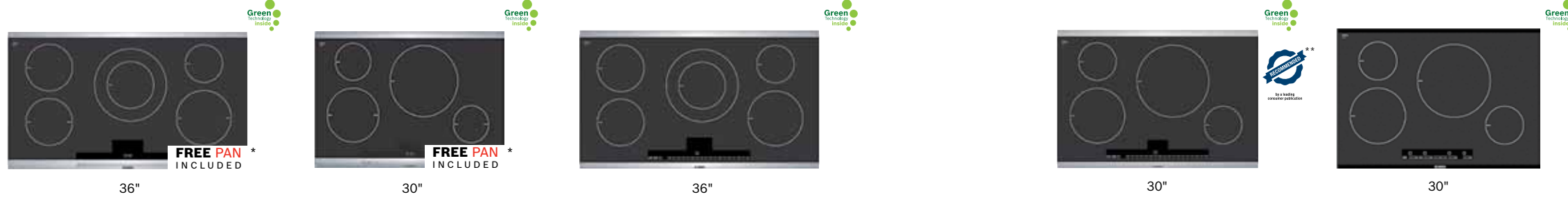
Clean Lock **prevents unwanted changes** to settings while you clean spillovers.

Heat indicator

A light on the cooktop **warns if surface is hot** due to any residual heat from cooking vessel.



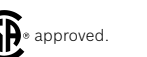
Induction Cooktop Specifications



	800 Series		800 Series		500 Series		500 Series		300 Series	
Model Numbers	NIT8665UC	Black w/ Stainless Steel Trim	NIT8065UC	Black w/ Stainless Steel Trim	NIT5665UC	Black w/ Stainless Steel Trim	NIT5065UC	Black w/ Stainless Steel Trim	NIT3065UC	Black
Appearance	SteelTouch™ Control Panel with 17 Settings		SteelTouch™ Control Panel with 17 Settings		Sleek Touch Control Panel with 17 Settings		Sleek Touch Control Panel with 17 Settings		Sleek Touch Control Panel with 17 Settings	
	High-end Front and Back Stainless Steel Strip for a Premium Look		High-end Front and Back Stainless Steel Strip for a Premium Look		Front and Back Stainless Steel Strip for a Premium Look		Front and Back Stainless Steel Strip for a Premium Look			
Convenience	Sleek Glass Design for Easy Clean-up		Sleek Glass Design for Easy Clean-up		Sleek Glass Design for Easy Clean-up		Sleek Glass Design for Easy Clean-up		Sleek Glass Design for Easy Clean-up	
	CountDown™ Timer—Built-in Timers for Each Element, Doubles as General-purpose Kitchen Timer		CountDown™ Timer—Built-in Timers for Each Element, Doubles as General-purpose Kitchen Timer		CountDown™ Timer—Built-in Timers for Each Element, Doubles as General-purpose Kitchen Timer		CountDown™ Timer—Built-in Timers for Each Element. Doubles as General-purpose Kitchen Timer		CountDown™ Timer—Built-in Timers for Each Element. Doubles as General-purpose Kitchen Timer	
	Clean Lock—Prevents Unwanted Changing of Settings while Cleaning Spill-overs		Clean Lock—Prevents Unwanted Changing of Settings while Cleaning Spill-overs		Clean Lock—Prevents Unwanted Changing of Settings while Cleaning Spill-overs		Clean Lock—Prevents Unwanted Changing of Settings while Cleaning Spill-overs			
	PreciseSelect™—Direct Cooking Level Selection (17 Settings)		PreciseSelect™—Direct Cooking Level Selection (17 Settings)		PreciseSelect™—Direct Cooking Level Selection (17 Settings)		PreciseSelect™—Direct Cooking Level Selection (17 Settings)			
	AutoChef® Sensor—A Bosch Exclusive Maintains Exact Temperature for Perfect Results and Convenience		AutoChef® Sensor—A Bosch Exclusive Maintains Exact Temperature for Perfect Results and Convenience							
	Bosch Recommended Pan Included—Excellent Heating Performance and Superior Cleanability		Bosch Recommended Pan Included—Excellent Heating Performance and Superior Cleanability							
Performance	Dual 11" Heating Elements with Powerful 4,400 Watts—Most Powerful Induction Element in its Class.		11" Heating Element with Powerful 3,600 Watts		Dual 11" Heating Elements with Powerful 4,400 Watts—Most Powerful Induction Element in its Class		11" Heating Element with Powerful 3,600 Watts		11" Heating Element with Powerful 3,600 Watts	
	SpeedBoost®—This Fast-heat Mode Boils Water Twice as Fast as Conventional Electric Cooktops		SpeedBoost®—This Fast-heat Mode Boils Water Twice as Fast as Conventional Electric Cooktops		SpeedBoost®—This Fast-heat Mode Boils Water Twice as Fast as Conventional Electric Cooktops		SpeedBoost®—This Fast-heat Mode Boils Water Twice as Fast as Conventional Electric Cooktops		SpeedBoost®—This Fast-heat Mode Boils Water Twice as Fast as Conventional Electric Cooktops	
Safety	Overflow Detection—Sounds Alarm and Shuts off Cooktop in Case of an Overflow		Overflow Detection—Sounds Alarm and Shuts off Cooktop in Case of an Overflow		Overflow Detection—Sounds Alarm and Shuts off Cooktop in Case of an Overflow		Overflow Detection—Sounds Alarm and Shuts off Cooktop in Case of an Overflow		Overflow Detection—Sounds Alarm and Shuts off Cooktop in Case of an Overflow	
	ChildLock—Prevents the Cooktop from Being Accidentally Switched On, Locks Temperature Settings if in Use		ChildLock—Prevents the Cooktop from Being Accidentally Switched On, Locks Temperature Settings if in Use		ChildLock—Prevents the Cooktop from Being Accidentally Switched On, Locks Temperature Settings if in Use		ChildLock—Prevents the Cooktop from Being Accidentally Switched On, Locks Temperature Settings if in Use		ChildLock—Prevents the Cooktop from Being Accidentally Switched On, Locks Temperature Settings if in Use	
	Safe Start—Ensures that Element Only is Activated; Others Remain Off		Safe Start—Ensures that Element Only is Activated; Others Remain Off		Safe Start—Ensures that Element Only is Activated; Others Remain Off		Safe Start—Ensures that Element Only is Activated; Others Remain Off		Safe Start—Ensures that Element Only is Activated; Others Remain Off	
	Anti-Overheat System—Shuts Off Cooktop		Anti-Overheat System—Shuts Off Cooktop		Anti-Overheat System—Shuts Off Cooktop		Anti-Overheat System—Shuts Off Cooktop		Anti-Overheat System—Shuts Off Cooktop	
	Two-level Heat Indicator—Warns if Cooktop is Warm or Hot		Two-level Heat Indicator—Warns if Cooktop is Warm or Hot		Two-level Heat Indicator—Warns if Cooktop is Warm or Hot		Two-level Heat Indicator—Warns if Cooktop is Warm or Hot		Two-level Heat Indicator—Warns if Cooktop is Warm or Hot	
Efficiency	PotSense™—Automatically Adjusts Cooking Element to the Size of the Pan Bottom		PotSense™—Automatically Adjusts Cooking Element to the Size of the Pan Bottom		PotSense™—Automatically Adjusts Cooking Element to the Size of the Pan Bottom		PotSense™—Automatically Adjusts Cooking Element to the Size of the Pan Bottom		PotSense™—Automatically Adjusts Cooking Element to the Size of the Pan Bottom	
Accessories	HEZ390230	10" AutoChef® Pan*	HEZ390230	10" AutoChef® Pan*	n/a		n/a		n/a	
	HEZ390220	9" AutoChef® Pan	HEZ390210	8" AutoChef® Pan						

*Free with mail-in redemption card.

**Recommended by a leading consumer publication, April 2012.



Gas Cooktop Specifications



36"



30"



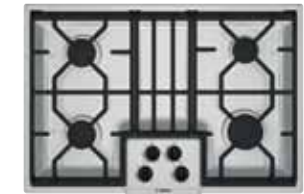
36"



30"



36"



30"

	800 Series		800 Series		500 Series		500 Series		300 Series		300 Series	
Model Numbers	NGM8654UC	Stainless Steel	NGM8054UC	Stainless Steel	NGM5654UC NGM5664UC NGM5624UC	Stainless Steel Black White	NGM5054UC NGM5064UC NGM5024UC	Stainless Steel Black White	NGM3654UC	Stainless Steel	NGM3054UC	Stainless Steel
Appearance	Centralized Controls for Easy Use and More Intuitive Operation of Cooktop		Centralized Controls for Easy Use and More Intuitive Operation of Cooktop		Centralized Controls for Easy Use and More Intuitive Operation of Cooktop		Centralized Controls for Easy Use and More Intuitive Operation of Cooktop		Centralized Controls for Easy Use and More Intuitive Operation of Cooktop		Centralized Controls for Easy Use and More Intuitive Operation of Cooktop	
	Cooktop Design Coordinates with Bosch Wall Ovens		Cooktop Design Coordinates with Bosch Wall Ovens		Cooktop Design Coordinates with Bosch Wall Ovens		Cooktop Design Coordinates with Bosch Wall Ovens		Cooktop Design Coordinates with Bosch Wall Ovens		Cooktop Design Coordinates with Bosch Wall Ovens	
	Low-Profile Design for a More Integrated Appearance		Low-Profile Design for a More Integrated Appearance		Low-Profile Design for a More Integrated Appearance		Low-Profile Design for a More Integrated Appearance		Low-Profile Design for a More Integrated Appearance		Low-Profile Design for a More Integrated Appearance	
	Heavy-duty Metal Knobs for a Quality Look and Feel		Heavy-duty Metal Knobs for a Quality Look and Feel		High Quality Color Matched Knobs with Stainless Steel Bezel		High Quality Color Matched Knobs with Stainless Steel Bezel		High Quality Color Matched Knobs with Stainless Steel Bezel		High Quality Color Matched Knobs with Stainless Steel Bezel	
Convenience	Continuous Grates—Effortlessly Move Pots and Pans, Easy to Clean		Continuous Grates—Effortlessly Move Pots and Pans, Easy to Clean		Continuous Grates—Effortlessly Move Pots and Pans, Easy to Clean		Continuous Grates—Effortlessly Move Pots and Pans, Easy to Clean		Continuous Grates—Effortlessly Move Pots and Pans, Easy to Clean		Continuous Grates—Effortlessly Move Pots and Pans, Easy to Clean	
	Sealed Burners Prevent Spills From Entering the Burner Box		Sealed Burners Prevent Spills From Entering the Burner Box		Sealed Burners Prevent Spills From Entering the Burner Box		Sealed Burners Prevent Spills From Entering the Burner Box		Sealed Burners Prevent Spills From Entering the Burner Box		Sealed Burners Prevent Spills From Entering the Burner Box	
	Push-to-turn Knobs		Push-to-turn Knobs		Push-to-turn Knobs		Push-to-turn Knobs		Push-to-turn Knobs		Push-to-turn Knobs	
	Star-K Certified		Star-K Certified		Star-K Certified		Star-K Certified		Star-K Certified		Star-K Certified	
Performance	Powerful 18,000-BTU Central Burner		Powerful 16,000-BTU Central Burner		Powerful 16,000-BTU Central Burner		Powerful 16,000-BTU Burner		Powerful 14,000-BTU Central Burner		Powerful 14,000-BTU Burner	
	OptiSim®—Simmer Delicate Sauces without Scorching		OptiSim®—Simmer Delicate Sauces without Scorching		OptiSim®—Simmer Delicate Sauces without Scorching		OptiSim®—Simmer Delicate Sauces without Scorching					
	PowerSim®—Quick Heating with Large Flame or Gentle Simmering with a Diffuser Cap		PowerSim®—Quick Heating with Large Flame or Gentle Simmering with a Diffuser Cap									
			Five Burner 30" Cooktop—Same Versatility of 36" Cooktop in Compact 30" Format. For Kitchens Where Space is Limited									
Safety	Automatic Electronic Reignition—In Case Flame Goes Out, the Burner is Automatically Reignited		Automatic Electronic Reignition—In Case Flame Goes Out, the Burner is Automatically Reignited		Automatic Electronic Reignition—In Case Flame Goes Out, the Burner is Automatically Reignited		Automatic Electronic Reignition—In Case Flame Goes Out, the Burner is Automatically Reignited		Automatic Electronic Reignition—In Case Flame Goes Out, the Burner is Automatically Reignited		Automatic Electronic Reignition—In Case Flame Goes Out, the Burner is Automatically Reignited	
Accessories	NEZ1054	LP Conversion Kit**	NEZ1054	LP Conversion Kit**	NEZ1054	LP Conversion Kit**	NEZ1054	LP Conversion Kit**	NEZ1054	LP Conversion Kit**	NEZ1054	LP Conversion Kit**

Cooktops

Colors



Stainless Steel
(NGM5654UC Model Shown)



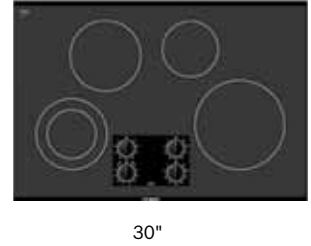
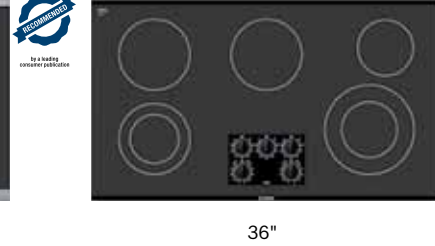
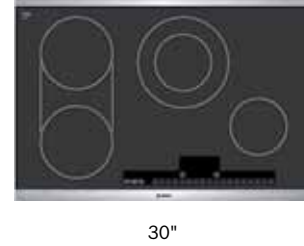
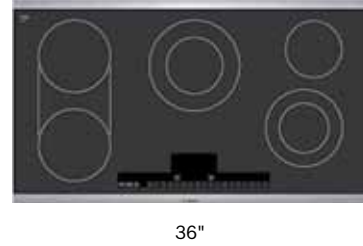
Black
(NGM5664UC Model Shown)



White
(NGM5624UC Model Shown)

*Recommended by a leading consumer publication, May 2011.
**To convert to LP. All NGM cooktops require the NEZ1054/300972 LP Conversion Kit. Sold separately.

Electric Cooktop Specifications



	800 Series		800 Series		500 Series		500 Series		300 Series		300 Series	
Model Numbers	NET8654UC	Black w/ Stainless Steel Trim	NET8054UC	Black w/ Stainless Steel Trim	NET5654UC	Black w/ Stainless Steel Trim	NET5054UC	Black w/ Stainless Steel Trim	NEM3664UC	Black	NEM3064UC	Black
Appearance	SteelTouch™ with PreciseSelect™—A Bosch Exclusive		SteelTouch™ with PreciseSelect™—A Bosch Exclusive		Sleek Touch Control Panel Offers a Choice of 17 Settings for Unprecedented Temperature Control with PreciseSelect™		Sleek Touch Control Panel Offers a Choice of 17 Settings for Unprecedented Temperature Control with PreciseSelect™		High Quality Black Knobs with a Stainless Steel Bezel		High Quality Black Knobs with a Stainless Steel Bezel	
	High-end Front and Back Stainless Steel Strip for a Premium Look		High-end Front and Back Stainless Steel Strip for a Premium Look		High-end Front and Back Stainless Steel Strip for a Premium Look		High-end Front and Back Stainless Steel Strip for a Premium Look					
Convenience	Sleek Glass Design for Easy Clean-up		Sleek Glass Design for Easy Clean-up		Sleek Glass Design for Easy Clean-up		Sleek Glass Design for Easy Clean-up		Sleek Glass Design for Easy Clean-up		Sleek Glass Design for Easy Clean-up	
	AutoChef® Sensor—A Bosch Exclusive. Maintains Exact Frying Temperature for Perfect Results and Convenience		AutoChef® Sensor—A Bosch Exclusive. Maintains Exact Frying Temperature for Perfect Results and Convenience									
	Bosch Recommended Pan Included—Excellent Heating Performance and Superior Cleanability, Dishwasher safe, Works with Electric and Induction Cooktops		Bosch Recommended Pan Included—Excellent Heating Performance and Superior Cleanability, Dishwasher safe, Works with Electric and Induction Cooktops									
	PreciseSelect™—Direct Cooking Level Selection (17 Settings)		PreciseSelect™—Direct Cooking Level Selection (17 Settings)		PreciseSelect™—Direct Cooking Level Selection (17 Settings)		PreciseSelect™—Direct Cooking Level Selection (17 Settings)					
	CountDown™ Timer—Built-in Timers for Each Element. Doubles as General-purpose Kitchen Timer		CountDown™ Timer—Built-in Timers for Each Element. Doubles as General-purpose Kitchen Timer		CountDown™ Timer—Built-in Timers for Each Element. Doubles as General-purpose Kitchen Timer		CountDown™ Timer—Built-in Timers for Each Element. Doubles as General-purpose Kitchen Timer					
	Clean Lock—Prevents Unwanted Changing of Settings while Cleaning Spill-Overs		Clean Lock—Prevents Unwanted Changing of Settings while Cleaning Spill-Overs		Clean Lock—Prevents Unwanted Changing of Settings while Cleaning Spill-Overs		Clean Lock—Prevents Unwanted Changing of Settings while Cleaning Spill-Overs					
	Keep Warm Function Allows Meals to Remain Ready to Serve		Keep Warm Function Allows Meals to Remain Ready to Serve		Keep Warm Function Allows Meals to Remain Ready to Serve		Keep Warm Function Allows Meals to Remain Ready to Serve					
Performance	Three-zone 12" Heating Element with Powerful 2,700-watt Element. Three Heating-zone Sizes in One. Accommodates a Variety of Pan Sizes		Three-zone 12" Heating Element with Powerful 2,700-watt Element. Three Heating-zone Sizes in One. Accommodates a Variety of Pan Sizes									
	Dual Element Offers the Capability to Use Multiple Pan Sizes		Dual Element Offers the Capability to Use Multiple Pan Sizes		Dual Element Offers the Capability to Use Multiple Pan Sizes		Dual Element Offers the Capability to Use Multiple Pan Sizes		Dual Element Offers the Capability to Use Multiple Pan Sizes		Dual Element Offers the Capability to Use Multiple Pan Sizes	
	PowerStart®—Initial Maximum Power Output Quickly Heats Burner, then Automatically Decreases to Pre-selected Temperature		PowerStart®—Initial Maximum Power Output Quickly Heats Burner, then Automatically Decreases to Pre-selected Temperature									
	Bridge Element Accommodates Oblong Pans and Multiple Diameter Sizes				Bridge Element Accommodates Oblong Pans and Multiple Diameter Sizes		Bridge Element Accommodates Oblong Pans and Multiple Diameter Sizes		Infinite Temperature Controls for Precision Cooking		Infinite Temperature Controls for Precision Cooking	
Safety	Two-level Heat Indicator—Warns if Cooktop is Warm or Hot		Two-level Heat Indicator—Warns if Cooktop is Warm or Hot		Two-level Heat Indicator—Warns if Cooktop is Warm or Hot		Two-level Heat Indicator—Warns if Cooktop is Warm or Hot		Two-level Heat Indicator—Warns if Cooktop is Warm or Hot		Two-level Heat Indicator—Warns if Cooktop is Warm or Hot	
	ChildLock—Prevents the Cooktop from Being Accidentally Switched on, Locks Temperature Settings if in Use		ChildLock—Prevents the Cooktop from Being Accidentally Switched on, Locks Temperature Settings if in Use		ChildLock—Prevents the Cooktop from Being Accidentally Switched on, Locks Temperature Settings if in Use		ChildLock—Prevents the Cooktop from Being Accidentally Switched on, Locks Temperature Settings if in Use					
Accessories	HEZ390230	10" AutoChef® Pan**	HEZ390230	10" AutoChef® Pan**	n/a		n/a		n/a		n/a	
	HEZ390210	8" AutoChef® Pan	HEZ390210	8" AutoChef® Pan	n/a		n/a		n/a		n/a	



*Products noted were selected by Consumers Digest Best Buy for outstanding value based on performance, features and durability.
**Free with mail-in redemption card.

***Recommended by a leading consumer publication, April 2012.



The only thing that's not optional is the unbelievable convenience.

Dual-fuel | Gas | Electric

While our legendary quality makes a Bosch range the easy choice, deciding which type you want may not be so simple. At Bosch, we've built the perfect appliances for any kitchen and any chef. It's part of our commitment to you and your culinary vision. It's time to turn up the heat in your kitchen, and we want to make sure you have precise control of it.



Choose between the following, in both slide-in or freestanding:



Gas Ranges

Unleash your cooking instincts with a Bosch gas range. Pro-style cooking grates let you slide your pots easily among the featured griddle and five burners. A 17,000-BTU PowerBoil™ burner delivers fast boiling and precise control. In short, prepare yourself for an amazing culinary experience.



Dual-fuel Ranges

Dual-fuel ranges from Bosch offer performance and convenience. Their gas-on-glass design features burners mounted on a ceramic-glass cooktop, making cleanup easy. Powerful PowerSim® burners deliver up to 16,000 BTU for fast boiling and excellent searing, while optimized burner spacing keeps every pot optimally positioned for maximum convenience. And the Genuine European Convection with ACS oven cooks up to 25% faster.



Electric Ranges

Bosch electric ranges deliver power and functionality that help them perform as good as they look. They feature a glass-ceramic cooktop with UltraSpeed™ ribbon elements that heat up as fast as gas. Add the performance of Genuine European Convection and a concealed bake element, and it's clear that every meal you prepare with a Bosch electric range is certain to be a hit.

Convenience

Full-extension rack

With our convenient, full-extension telescopic rack, you can easily view, check and baste your dishes without having to reach into the oven. Our rack glides smoothly and easily, **extending fully** over the open oven door—even when holding up to 35 pounds. Plus it fits any of our six rack positions and is removable for easy cleanup.

Bridge element

Connects two burners, creating an elongated cooking surface for larger, oval-shaped pans.

Optimized burner spacing

We've revolutionized cooktop design with our unique burner spacing, which offers enhanced versatility. In addition to the **PowerSim® burner**, our cooktop has a true-simmer rear burner that is offset to the right—ultimately providing more space for larger pots, while leaving plenty of room for your creativity and cooking prowess.

Oval burner

Oval-shaped burner in the center of the cooktop heats food evenly across a large area. **Perfect for your griddle** or other oversized cookware.

Large warming drawer

With three electronically controlled temperature settings ranging from 140° to 220°F, our stainless steel warming drawer gives you the ideal warming temperatures. Smoothly gliding on steel ball bearings, the drawer fully extends for easy access to its **1.3 cubic feet** of usable space.

Performance

PowerBoil™ burner

The PowerBoil™ burner is the ultimate in power and finesse. It can generate a blazing **17,000 BTU for fast boiling or quick searing**. At the other extreme, the built-in diffuser distributes heat evenly to let you simmer delicate sauces or melt chocolate without scorching.



OptiSim® burner

This OptiSim burner cooks at a low BTU to delicately simmer even the most sensitive sauces or melt chocolate, evenly spreading the flame across the bottom of the pot to help prevent scorching.

Triple-element burners

The burners are available in 5"/7"/9" and 6"/9"/12" configurations, and are designed to efficiently accommodate a wide variety of cookware without wasting energy unnecessarily.

Good Housekeeping Seal

All Bosch slide-in ranges are backed by the **Good Housekeeping Seal**—a two-year limited warranty.



Concealed bake element

The oven cavity floor hides an eight-pass bake element, offering **maximized heat distribution** for more even cooking. Since the element is not exposed, you get more usable space for that extra sheet of chocolate-chip cookies. Flexibility doesn't stop here, since the hidden bake element also makes for the easiest way to clean the inside of your oven.

Warming zone

100-watt warming zone—**perfect for keeping food ready to serve** or prewarming dishes.

Genuine European Convection with ACS

This feature offers a powerful 1,100-watt third heating element that surrounds the convection fan, **circulating preheated air throughout the oven**. By optimizing heat circulation within the oven cavity, our Advanced Circulation System (ACS) allows food to be cooked more evenly in up to 30% less time.



Convection oven

360° cooking saves time and energy. A fan provides even heat distribution throughout the cavity for superior cooking results.

Full-meal cooking

Thanks to our large capacity and Genuine European Convection, **you can cook a feast in your oven**. Furthermore, the convection technology prevents fusion of flavors. So your cherry pie won't taste like garlic potatoes, and your pork roast will taste like...pork roast. You're only limited by your imagination.

Meat probe

Our built-in automatic meat temperature probe will allow you to cook more accurately and enjoy perfect meals all the time. When foods reach the preset internal temperature, the oven beeps and turns itself off—giving you **optimal temperature control**. And by not overcooking, your food also maintains its nutritional value. Food tastes better, and you eat healthier.

Quality

ClearTouch® glass panel

This touch panel features **high-quality materials and elegant design**, while giving complete access to all of the range's many features. Easy to use and even easier to clean, the control indicators will never fade because they are sealed under the glass surface, guaranteeing a beautiful appearance for years to come.



Widest oven in its class

At 25 inches, our oven is the **widest in its class**. Incredibly accommodating, not only can you cook with a variety of cookware sizes simultaneously, it lets you cook an entire meal—including a large bird with all the trimmings. And with our well-lit oven, checking on your meal is a pleasurable eye-opener.

Gas-on-glass burners

This ingenious design mounts **gas burners on color-matched ceramic glass**, creating a sleek, handsome cooktop that's patterned to conceal smudges while being significantly easier to clean.

Cooktop elements

The electric cooktop features our **state-of-the-art UltraSpeed™ ribbon elements**. Instantly responding to the controls, these elements boast a three- to five-second heat-up time. There are multiple-sized elements, including a triple, all of which are adjustable to accommodate a variety of cookware styles.

Touch and Turn®

Operating your oven with our exclusive Touch and Turn control system is a breeze. Performance is now at your fingertips. You can access an **array of cooking modes in fewer steps**, and even self-clean your oven with a single intuitive control knob. No more guesswork. Just great results every time.

Endless cooking possibilities

With up to nine preset cooking modes, the options are as vast as they are easy to operate. Our precisely programmed oven functions let you choose from **bake, broil, convection bake, convection broil, convection roast, dehydrate or keep warm** to complement your diverse cooking needs. All models even include a Sabbath mode.



Slide-in Range Specifications



Dual-fuel



Dual-fuel



Electric



Electric

	700 Series		700 Series		700 Series		700 Series	
Model Numbers	HDI7282U	Stainless Steel Pro	HDI7052U	Stainless Steel	HEI7282U	Stainless Steel Pro	HEI7052U	Stainless Steel
Appearance	True Hidden Bake Element		True Hidden Bake Element		True Hidden Bake Element		True Hidden Bake Element	
	Silver-colored Knobs		Silver-colored Knobs		Silver-colored Knobs		Silver-colored Knobs	
	ClearTouch® Electronic Oven Controls		ClearTouch® Electronic Oven Controls		ClearTouch® Electronic Oven Controls		ClearTouch® Electronic Oven Controls	
	Stainless Steel Framed Cooktop		Stainless Steel Framed Cooktop		Stainless Steel Framed Cooktop		Stainless Steel Framed Cooktop	
	Stainless Steel Control Panel		Stainless Steel Control Panel		Stainless Steel Control Panel		Stainless Steel Control Panel	
Convenience	Push-to-turn Knobs		Push-to-turn Knobs		Push-to-turn Knobs		Push-to-turn Knobs	
	Full-extension Rack		Full-extension Rack		Full-extension Rack		Full-extension Rack	
	Touch and Turn® Electronic Oven Control with Eight Cooking Modes		Touch and Turn® Electronic Oven Control with Eight Cooking Modes		Touch and Turn® Electronic Oven Control with Eight Cooking Modes		Touch and Turn® Electronic Oven Control with Eight Cooking Modes	
	Star-K Certified		Star-K Certified		Star-K Certified		Star-K Certified	
	Continuous Grates—Effortlessly Move Pots and Pans. Easy to Clean.		Continuous Grates—Effortlessly Move Pots and Pans. Easy to Clean.		Continuous Grates—Effortlessly Move Pots and Pans. Easy to Clean.		Continuous Grates—Effortlessly Move Pots and Pans. Easy to Clean.	
	Sealed Burners Prevent Spills From Entering the Burner Box		Sealed Burners Prevent Spills From Entering the Burner Box		Sealed Burners Prevent Spills From Entering the Burner Box		Sealed Burners Prevent Spills From Entering the Burner Box	
	Integrated Warming Drawer		Integrated Warming Drawer		Integrated Warming Drawer		Integrated Warming Drawer	
	Temperature Probe with Automatic Switch-off		Temperature Probe with Automatic Switch-off		Temperature Probe with Automatic Switch-off		Temperature Probe with Automatic Switch-off	
Performance	4.6 cu. ft. Capacity		4.6 cu. ft. Capacity		4.6 cu. ft. Capacity		4.6 cu. ft. Capacity	
	Convection Assisted Self-Cleaning Oven		Convection Assisted Self-Cleaning Oven		Convection Assisted Self-cleaning Oven		Convection Assisted Self-cleaning Oven	
	Genuine European Convection with Advanced Circulation System (ACS)		Genuine European Convection with Advanced Circulation System (ACS)		Genuine European Convection with Advanced Circulation System (ACS)		Genuine European Convection with Advanced Circulation System (ACS)	
	PowerBoil™—Quick Heating with 16,000 BTU		PowerBoil™—Quick Heating with 16,000 BTU		PowerBoil™—Quick Heating with 16,000 BTU		PowerBoil™—Quick Heating with 16,000 BTU	
	PowerSim®—Quick Heating with Large Flame or Gentle Simmering with a Diffuser Cap		PowerSim®—Quick Heating with Large Flame or Gentle Simmering with a Diffuser Cap		PowerSim®—Quick Heating with Large Flame or Gentle Simmering with a Diffuser Cap		PowerSim®—Quick Heating with Large Flame or Gentle Simmering with a Diffuser Cap	
	OptiSim®—Simmer Delicate Sauces without Scorching		OptiSim®—Simmer Delicate Sauces without Scorching		OptiSim®—Simmer Delicate Sauces without Scorching		OptiSim®—Simmer Delicate Sauces without Scorching	
					Extra-large 12" Element Offers the Capability to Use Multiple Pan Sizes			
				9"/12" Dual Element 5"/7"/9" Triple Element		5"/8" Dual Element		
						Bridge Element		
Accessories	HEZ1060	Backsplash (Wall Installation)	HEZ1060	Backsplash (Wall Installation)	HEZ1060	Backsplash (Wall Installation)	HEZ1060	Backsplash (Wall Installation)
	LP Conversion Kit Included with This Model		LP Conversion Kit Included with This Model		LP Conversion Kit Included with This Model		LP Conversion Kit Included with This Model	



Ranges



SA approved.

Freestanding Range Specifications



Gas



Gas



Gas

DLX



Gas



Gas

	700 Series	700 Series	500 Series	500 Series	300 Series
Model Numbers	HGS7282UC Stainless Steel Pro	HGS7052UC Stainless Steel	HGS5L53UC Stainless Steel	HGS5053UC Stainless Steel	HGS3053UC Stainless Steel HGS3063UC Black HGS3023UC White
Appearance	True Hidden Bake Element Silver-colored Knobs ClearTouch® Electronic Oven Controls Stainless Steel Cooktop Stainless Steel Control Panel Low Profile Grates	True Hidden Bake Element Black Knobs ClearTouch® Electronic Oven Controls Stainless Steel Cooktop Low Profile Grates	True Hidden Bake Element Metal Knobs Stainless Steel Control Panel Design Fits to Bosch Family Look— Recommended Companion to other Bosch 500 Series Products	Hidden Bake Element Black Knobs Design Fits to Bosch Family Look— Recommended Companion to Other Bosch 500 Series Products	Hidden Bake Element Black Knobs Design Fits to Bosch Family Look— Recommended Companion to Ascenta® Dish- washer, or other Bosch 300 Series Products
Convenience	Push-to-turn Knobs Full-extension Rack plus Two Regular Racks with Six Different Rack Positions for All Cook- ing Needs Touch and Turn® Electronic Oven Control with Eight Cooking Modes Star-K Certified Continuous Grates—Effortlessly Move Pots and Pans. Easy to Clean. Easy to Clean Sealed Burners—Provide Excel- lent Cleanability in Case of Spill Overs Integrated Warming Drawer Temperature Probe with Automatic Switch-off	Push-to-turn Knobs Three Racks and Six Different Rack Positions Adjust for All Cooking Needs Touch and Turn® Electronic Oven Control with Eight Cooking Modes Star-K Certified Continuous Grates—Effortlessly Move Pots and Pans. Easy to Clean. Easy to Clean Sealed Burners—Provide Excel- lent Cleanability in Case of Spill Overs Integrated Warming Drawer	Push-to-turn Knobs Two Racks and Six Different Rack Positions Adjust for All Cooking Needs Wide View Oven Window—Extra-large Window Provides Easy Viewing of Your Food	Push-to-turn Knobs Two Racks and Six Different Rack Positions Adjust for All Cooking Needs Wide View Oven Window—Extra-large Window Provides Easy Viewing of Your Food	Push-to-turn Knobs Two Racks and Six Different Rack Positions Adjust for All Cooking Needs Wide View Oven Window—Extra-large Window Provides Easy Viewing of Your Food
Performance	5.1 cu. ft. Capacity Convection Assisted Self-Cleaning Oven Genuine European Convection with Advanced Circulation System (ACS) PowerBoil™—Quick Heating with Powerful 16,000 BTU PowerSim®—Quick Heating with Large Flame or Gentle Simmering with a Diffuser Cap OptiSim®—Simmer Delicate Sauces without Scorching	5.1 cu. ft. Capacity Self-clean Cycle Saves Time. Quickly and Easily Cleans your Oven Genuine European Convection with Advanced Circulation System (ACS) PowerBoil™—Quick Heating with Powerful 16,000 BTU PowerSim®—Quick Heating with Large Flame or Gentle Simmering with a Diffuser Cap	5.0 cu. ft. Capacity Self-clean Cycle Saves Time. Quickly and Easily Cleans your Oven Convection Saves Time and Energy— Fan Provides Even Heat Distribution Through- out the Cavity for Superior Cooking Results PowerBoil™—Quickly Heating with Powerful 17,000 BTU Simmer Burner—Easily Heat Delicate Sauces without Scorching or Burning Five Burner Gas Ranges—Offers the Maximum Burner Performance and Ultimate Cooking Flexibility Oval Shaped Burner—Evenly Heat Your Griddle or Other Specialty Shaped Cookware	5.0 cu. ft. Capacity Self-clean Cycle Saves Time. Quickly and Easily Cleans your Oven Convection Saves Time and Energy— Fan Provides Even Heat Distribution Through- out the Cavity for Superior Cooking Results PowerBoil™—Quick Heating with Powerful 17,000 BTU Simmer Burner—Easily Heat Delicate Sauces without Scorching or Burning Five-burner Gas Range—Offers the Maximum Burner Performance and Ultimate Cooking Flexibility Oval-shaped Bridge Burner—Evenly Heat Your Griddle or Other Specially-shaped Cookware	5.0 cu. ft. Capacity Self-clean Cycle Saves Time. Quickly and Easily Cleans your Oven PowerBoil™—Quick Heating with Powerful 16,000 BTU Simmer Burner—Easily Heat Delicate Sauces without Scorching or Burning Five-burner Gas Range—Offers the Maximum Burner Performance and Ultimate Cooking Flexibility
Accessories	LP Conversion Kit Included with This Model	LP Conversion Kit Included with This Model	HEZ1090UC** LP Conversion Kit	HEZ1090UC** LP Conversion Kit	HEZ1090UC** LP Conversion Kit

Ranges

*Products noted were selected by Consumers Digest Best Buy for outstanding value based on performance, features and durability. **To convert to LP. All 300 and 500 Series HGS ranges require the NEZ1090/1207681 LP Conversion Kit. Sold separately.



Freestanding Range Specifications



Dual-fuel



Dual-fuel



Electric



Electric



Electric

	700 Series		700 Series		700 Series		700 Series		500 Series		
Model Numbers	HDS7282U	Stainless Steel Pro	HDS7052U	Stainless Steel	HES7282U	Stainless Steel Pro		HES7052U	Stainless Steel	HES5L53U	Stainless Steel
Appearance	True Hidden Bake Element				True Hidden Bake Element			True Hidden Bake Element		True Hidden Bake Element	
	Silver-colored Knobs		Black Knobs		Silver-colored Knobs			Black Knobs		Metal Knobs	
	ClearTouch® Electronic Oven Controls		ClearTouch® Electronic Oven Controls		ClearTouch® Electronic Oven Controls			ClearTouch® Electronic Oven Controls			
	Stainless Steel Cooktop		Stainless Steel Cooktop		Stainless Steel Control Panel			Stainless Steel Framed Cooktop		Stainless Steel Control Panel	
	Stainless Steel Control Panel				Stainless Steel Framed Cooktop			Stainless Steel Framed Cooktop			
	Low Profile Grates		Low Profile Grates								
Convenience	Push-to-turn Knobs		Push-to-turn Knobs		Push-to-turn Knobs			Push-to-turn Knobs		Push-to-turn Knobs	
	Full-extension Rack plus Two Regular Racks with Six Different Rack Positions for All Cooking Needs		Three Racks and Six Different Rack Positions Adjust for All Cooking Needs		Full-extension Rack plus Two Regular Racks with Six Different Rack Positions for All Cooking Needs			Two Racks and Six Different Rack Positions Adjust for All Cooking Needs		Two Racks and Six Different Rack Positions Adjust for All Cooking Needs	
	Touch and Turn® Electronic Oven Control with Eight Cooking Modes		Touch and Turn® Electronic Oven Control with Eight Cooking Modes		Touch and Turn® Electronic Oven Control with Eight Cooking Modes			Touch and Turn® Electronic Oven Control with Eight Cooking Modes			
	Star-K Certified		Star-K Certified		Star-K Certified			Star-K Certified			
	Continuous Grates—Effortlessly Move Pots and Pans. Easy to Clean.		Continuous Grates—Effortlessly Move Pots and Pans. Easy to Clean.								
	Easy to Clean Sealed Burners—Provide Excellent Cleanability in Case of Spill Overs		Sealed Burners Prevent Spills From Entering the Burner Box								
	Integrated Warming Drawer		Integrated Warming Drawer		Integrated Warming Drawer			Integrated Warming Drawer			
	Temperature Probe with Automatic Switch-off				Temperature Probe with Automatic Switch-off						
Performance	4.6 cu. ft. Capacity		4.6 cu. ft. Capacity		4.6 cu. ft. Capacity			4.6 cu. ft. Capacity		5.4 cu. ft. Capacity	
	Convection Assisted Self-cleaning Oven		Self-clean		Convection Assisted Self-cleaning Oven			Convection Assisted Self-cleaning Oven		Self-clean Cycle Saves Time. Quickly and Easily Cleans your Oven	
	Genuine European Convection with Advanced Circulation System (ACS)		Genuine European Convection with Advanced Circulation System (ACS)		Genuine European Convection with Advanced Circulation System (ACS)			Genuine European Convection with Advanced Circulation System (ACS)		Convection Saves Time and Energy—Fan Provides Even Heat Distribution Throughout the Cavity for Superior Cooking Results	
	PowerBoil™—Quick Heating with Powerful 16,000 BTU		PowerBoil™—Quick Heating with Powerful 16,000 BTU							PowerBoil™—Quick Heating with Powerful 3,000-watt Element	
	PowerSim®—Quick Heating with Large Flame or Gentle Simmering with a Diffuser Cap		PowerSim®—Quick Heating with Large Flame or Gentle Simmering with a Diffuser Cap								
	OptiSim®—Simmer Delicate Sauces without Scorching		OptiSim®—Simmer Delicate Sauces without Scorching								
					Extra-large 12" Element Offers the Capability to Use Multiple Pan Sizes					Extra-large 12" Element Offers the Capability to Use Multiple Pan Sizes	
					9"/12" Dual Element 5"/7"/9" Triple Element			5"/8" Dual Element		Dual Elements Offer the Capability to Use Multiple Pan Sizes	
								Bridge Element		100-watt Warming Zone—Perfect for Keeping Food Ready to Serve or Prewarming Dishes	
Accessories	LP Conversion Kit Included with This Model		LP Conversion Kit Included with This Model								

Ranges



SAF approved.

Freestanding Range Specifications



Electric



Electric

	500 Series	300 Series
Model Numbers	HES5053U Stainless Steel	HES3053U Stainless Steel HES3063U Black HES3023U White
Appearance	Hidden Bake Element for Improved Cleanability Black Knobs	Hidden Bake Element for Improved Cleanability Black Knobs
Convenience	Push-to-turn Knobs Two Racks and Seven Different Rack Positions Adjust for All Cooking Needs	Push-to-turn Knobs Two Racks and Seven Different Rack Positions Adjust for All Cooking Needs
Performance	Wide View Oven Window—Extra-large Window Provides Easy Viewing of Your Food 5.4 cu. ft. Capacity Self-clean Cycle Saves Time. Quickly and Easily Cleans your Oven Convection Saves Time and Energy—Fan Provides Even Heat Distribution Throughout the Cavity for Superior Cooking Results PowerBoil™—Quick Heating with Powerful 3,000-watt Element	Wide View Oven Window—Extra-large Window Provides Easy Viewing of Your Food 5.4 cu. ft. Capacity Self-clean Cycle Saves Time, Quickly and Easily Cleans your Oven PowerBoil™—Quick Heating with Powerful 3,000-watt Element
Accessories	n/a n/a	n/a n/a

Colors



Stainless Steel Pro
(HES7282U Model Shown)



Stainless Steel
(HES5053U Model Shown)



Black
(HES3063U Model Shown)



White
(HES3023U Model Shown)



approved.

Every meal now comes with a breath of fresh air.

Wall | Island | Custom Insert | Downdraft

We vent, so you don't have to. When you cook, you want things to be perfect. You don't want to be bothered by the hum of a loud vent. That's why we design our ventilation systems to work as quietly as possible. So you can talk while putting together your next masterpiece. Whisper-quiet and very effective, they give your kitchen extra style and a lot more room to breathe.



Island Ventilation

Flaunting crisp lines and glass accents, our island hood offers sophisticated design that blends into any kitchen.



Downdraft Ventilation

The perfect solution for very high ceilings, island installation or simply a lack of space, our downdraft rises from behind your cooktop. A rise of over 13" allows for efficient capture of steam and smoke. Our recirculation kit option allows venting through the toe-kick of the cabinet.



Wall Ventilation

Whether you prefer under-cabinet or chimney-style ventilation, we offer a complete line of stylish wall hoods with varying CFM levels so you can choose the one that is right for you.

Custom Insert Ventilation

Our flush-fitting custom insert hoods are designed with minimalist styling that make them barely visible. And their powerfully quiet fans make them barely audible.



Quality

Your meal should be memorable, not its odor. With Bosch's line of quiet, efficient, **high-quality ventilation products**, you can quickly remove steam, odors, grease and smoke, improving your home's overall air quality.

Performance

Steam, smoke, grease odors—nothing resists our efficient ventilation systems. With **four-speed fans, dual blowers and a wide CFM range**, you can adjust the fan to the desired amount of exhaust power.

Quietness

The sound you don't hear might just be cleaning your air. All of our ventilation products are designed to be **extraordinarily quiet**.

Wall Hood Specifications



Under-cabinet



Under-cabinet



Under-cabinet



Glass Canopy



Canopy



Pyramid-style Canopy

	800 Series		500 Series		300 Series			800 Series		500 Series		300 Series	
Model Numbers	DPH36652UC DPH30652UC	36" Stainless Steel 30" Stainless Steel	DUH36252UC DUH30252UC	36" Stainless Steel 30" Stainless Steel	DUH36152UC DUH30152UC	36" Stainless Steel 30" Stainless Steel		DKE9665PUC DKE9605PUC	36" Stainless Steel 30" Stainless Steel	DKE9465MUC DKE9405MUC	36" Stainless Steel 30" Stainless Steel	DKE9365AUC DKE9305AUC	36" Stainless Steel 30" Stainless Steel
Appearance	Brushed Stainless Steel Finish		Brushed Stainless Steel Finish		Brushed Stainless Steel Finish			Brushed Stainless Steel Finish		Brushed Stainless Steel Finish		Brushed Stainless Steel Finish	
	Professional Design							Sophisticated Glass Canopy		Slim Silhouette Canopy		Pyramid-style Canopy	
								Wall or Ceiling Mounted Chimney Hood		Wall Mounted Chimney Hood		Wall Mounted Chimney Hood	
Convenience	Top or Rear Venting Options		Top or Rear Venting Options		Top or Rear Venting Options								
	Two Incandescent Lights—Included		Two Halogen Lights—Not Included		Two Incandescent Lights—Not Included			Two Halogen Lights—Included		Two Halogen Lights—Included		Two Incandescent Lights—Included	
	Dishwasher-safe Mesh Filters		Dishwasher-safe Mesh Filters		Dishwasher-safe Mesh Filters			Dishwasher-safe Mesh Filters		Dishwasher-safe Mesh Filters		Dishwasher-safe Mesh Filters	
	Recirculation Option Available		Ducted or Non-ducted Options		Ducted or Non-ducted Options			Recirculation Option Available		Recirculation Option Available			
	Easy-to-use Controls		Easy-to-use Rotary Control		Easy-to-use Rotary Control			Seven-segment Digital Display		Seven-segment Digital Display		Slide-Switch Control	
Performance	600 CFM		400 CFM		280 CFM			600 CFM		600 CFM		400 CFM	
	Blower Included		Blower Included		Blower Included			Blower Included		Blower Included		Blower Included	
	Quickly and Quietly Clears the Air of Smoke and Odor		Quickly and Quietly Clears the Air of Smoke and Odor		Quickly and Quietly Clears the Air of Smoke and Odor			Quickly and Quietly Clears the Air of Smoke and Odor		Quickly and Quietly Clears the Air of Smoke and Odor		Quickly and Quietly Clears the Air of Smoke and Odor	
	Two Power Levels		Four Power Levels		Three Power Levels			Four Power Levels		Four Power Levels		Three Power Levels	
								54 dBA		53 dBA		58 dBA	
Accessories	DRZ3652UC	36" Recirculation Kit						DRZ94UC	Recirculation Kit	DRZ94UC	Recirculation Kit		
	DRZ3052UC	30" Recirculation Kit											
	DHZ3052UC	Charcoal Filter	DHZ3602UC	36" Charcoal Filter	DHZ3602UC	36" Charcoal Filter							
			DHZ3002UC	30" Charcoal Filter	DHZ3002UC	30" Charcoal Filter							
								DHZ9600UC	11-ft. Chimney Extension	DHZ9400UC	11-ft. Chimney Extension	DHZ9300UC	11-ft. Chimney Extension

Ventilation



Island Hood, Custom Insert Hood and Downdraft Specifications



Glass Canopy Island Hood



Custom Insert Hood



Downdraft

	Glass Canopy Island Hood		Custom Insert Hood		Downdraft	
Model Numbers	DIE165RUC	40" Stainless Steel	DHL755BUC	29" Metallic	DHD3614UC DHD3014UC	36" Stainless Steel 30" Stainless Steel
Appearance	Brushed Stainless Steel Finish				Stands Over 13" Tall—Lowers Out of Sight When Not in Use	
	Sophisticated Glass Canopy				Wall or Island Installations	
	Ceiling Mounted Chimney Hood		Wall or Island Installations—Up to 36" Wide		Wall or Island Installations	
Convenience	Four Halogen Lights with Dimmer—Included		Two Halogen Lights—Included		Can be Ducted Left, Right, or Straight Down	
	Dishwasher-safe Mesh Filters		Dishwasher-safe Mesh Filters		Dishwasher-safe, Full Face Mesh Filters	
	Seven-segment Digital Display—Two Control Panels for Easy Access from Around an Island		Slide-switch Control		Recirculation Option Also Available	
	Adjustable Chimney					
Performance	600 CFM		400 CFM		600 CFM Blower Options	
	Blower Included		Blower Included		Blower Sold Separately. See Accessories for Blower Options.	
	Quickly and Quietly Clears the Air of Smoke and Odor		Quickly and Quietly Clears the Air of Smoke and Odor		Quickly and Quietly Clears the Air of Smoke and Odor	
	Four Power Levels		Four Power Levels		Three Power Levels	
	Additional Insulation for Extremely Quiet Operation					
Accessories	n/a		n/a		DHDRM36UC Recirculation Kit	
					DHG601DUC 600 CFM Internal Blower	
					DHG6015DUC 600 CFM Inline Blower*	
					DHG6023UC 600 CFM Remote Blower*	
					DHZDHR6 Transition for Remote and Inline Blowers Installation	

*Transition required for inline and remote blowers. Sold separately.



Ventilation





Fall in love with the tall, silent, efficient type.

Built-in Refrigeration | Standard-depth French Door | Counter-depth Side-by-Side

You might say we're redefining cool. Just like the perfect meal that uses only the best ingredients, every Bosch refrigerator is built using only the finest materials. With seamless design and numerous counter-depth options, our line is filled with stunning features that convey a stylish, built-in look for your kitchen. It's just one more reason why our refrigerators are a perfect part of the ultimate kitchen.



Built-in Refrigerators

Built-in refrigerators meet German engineering. Completely flush with your cabinetry and roomy enough for almost any-sized family, the 36" French door and new 30" bottom freezer redefine Continental cool. While you'll first notice how well Bosch preserves your dairy and produce, what you might not notice is its hidden hinges that seamlessly enhance the built-in look.

Design

Flexible exterior options

With a **fully flush installation**, the refrigerator lines up exactly with your cabinets, providing a sleek appearance. The **framed installation option** makes for a classic built-in, semi-flush design that works with 24"-depth cabinetry.

Framed

Flush



Extra-tall doors

Our doors extend all the way up to the top of the unit, so all you see is stainless steel with a fully integrated French door that has **no visible hinges or exhaust grille**.

OptiFlex® hinge

Designed to open out and away from the cabinetry, this ingenious hinge construction allows doors to be **mounted flush, yet open to 115°**, without touching or nicking surrounding cabinets.

All-level LED sidewall lighting

The days of reaching into a dark refrigerator are over. Brilliantly designed LED lights are placed up front, so you'll never again block the bulb in the back of the refrigerator with that club-store-sized block of cheese.

Food preservation

Dual evaporator and dual compressor

Separate compressors and evaporators for the refrigerator and freezer sections prevent the transfer of odors and provide improved humidity levels for **better food preservation**.

Air filtration

Bosch refrigerators constantly filter the air of bacteria that cause your food to go bad more quickly than it should. With Bosch, efficiency doesn't stop at the power source.

SuperCool™ and SuperFreeze™

These features quickly balance temperatures between the chilled and frozen items already in your refrigerator and the new items that you introduce. This helps keep food fresh and flavor in—so when you're ready to prepare a meal, you'll be preparing the best meal possible.

Efficiency

Most energy-efficient

The 30" Bosch built-in bottom freezer is the most energy-efficient in its class.* It is certified CEE Tier 2—an important recognition for brands dedicated to efficiency and high-value offerings.

ENERGY STAR® qualified

Every Bosch refrigerator is ENERGY STAR® qualified. With efficient features such as an alarm indicating that the door is ajar, Vacation Mode and Economy Mode, Bosch can significantly **reduce your energy bills**.

*Based on comparison of built-in bottom freezers with a 30" width (or larger) listed on energystar.gov, December, 2012.



Standard-depth French Door Refrigerator

Preserving freshness is the most important function for refrigeration. With Bosch, VitaFresh® technology automatically keeps food fresher, longer. By keeping fruits and vegetables at the perfect humidity and temperature, we help preserve food budgets almost as well as food.

Style

Hidden hinges

The hidden door hinges present **uninterrupted stainless steel luxury** while providing sturdy support and smooth, easy opening.

All-level LED lighting

With **fully integrated LED lighting**: lighting from above for the overall interior of the refrigerator, in the VitaFresh® drawers, in the deli drawer, and in the bottom freezer.

Gallon door bins

Milk and other oversized items are placed in the large adjustable gallon door bins, **freeing up space** on the shelves for additional storage.

Ice and water dispenser

Frameless ice and water dispenser provides pure, cold, filtered water plus crushed and cubed ice.

SteelTouch™ controls

The controls—incredibly responsive with **sharp stainless steel minimalist design**—make temperature adjustments and other features accessible with the touch of a button.

Efficiency

ENERGY STAR® qualified

With the efficient features you expect from Bosch, this refrigerator is ENERGY STAR® qualified—which **keeps energy costs low** while providing superior performance.

EcoControl

Saves energy with **easily accessible exterior controls**. Independently change the refrigerator and freezer without ever opening the refrigerator or bottom freezer drawers.

Food preservation

VitaFresh®

At Bosch we know about maintaining the right balance of temperature and humidity for your food. Unlike other refrigerators that just keep things cold, smart VitaFresh technology maintains the optimal temperature and humidity levels automatically, allowing food to stay fresher longer. VitaFresh drawers provide optimal food storage, keeping up to **14% more vitamin C** in your food and **retaining 20% more moisture content** than conventional refrigerators.*



Directional airflow system

An ingenious airflow system utilizing a special ventilation channel allows air to pass over and around the produce drawers. This keeps **temperatures at a consistent, ideal level** for the contents within. And keeps your food well chilled and even better preserved.

Automatic humidity control

A unique lining maintains the ideal humidity for all types of produce by **regulating how much or how little moisture is required** for the produce stored in the drawers, keeping foods crisp, healthy and delicious.

*VitaFresh® results are based on an independent study performed against Bosch conventional refrigerators.



Counter-depth Side-by-side Refrigerators

The Bosch counter-depth refrigerator is perhaps the most attractive combination of convenient technology, superior food preservation and intelligent design ever made. With its polished design, easy installation and a variety of convenient features, this is more than just a beautiful face.

Efficiency

ENERGY STAR® qualified

Every Bosch refrigerator is ENERGY STAR® qualified. With efficient features such as an alarm indicating that the door is ajar, Vacation Mode and Economy Mode, Bosch can **significantly reduce your energy bills.**

CoolGlow™ LED interior lighting

The interior of the Linea 800 Series shines with exceptionally bright LED lighting for easier viewing.

CoolPaks™

CoolPaks are made to keep food and beverages cold while in a cooler. The two reusable CoolPaks will keep a 10-quart cooler chilled, and they can even **keep your refrigerator cool during power outages.** An added bonus: CoolPaks conveniently store in their own compartment in the freezer door.

Convenience

EasyLift™ shelves and door bin

Is the cake platter too tall? Simply **lower or raise shelves without unloading and removing them.**



Water and ice dispenser

This advanced filling station dispenses water, crushed ice and ice cubes. Use the QuickIce function when entertaining large groups. A water filter ensures the **freshest tasting water** and an exceptionally bright LED light makes filling a small glass or an oversized pitcher easier than ever.

Food preservation

Dual evaporator

No one wants their ice cream to taste like fish. Thanks to innovative Bosch technology, which has a **separate evaporator for the refrigerator and freezer** compartments, this isn't a problem. Dual evaporators not only prevent the transfer of flavors, they also optimize humidity for improved freshness.

AirFresh Filter®

This activated carbon air filter helps food retain its flavor and keeps ice tasting fresh. To save space, the filter is **built into the vents that circulate air through the refrigerator** several times per hour, helping clean the air of any unwanted odors.

FreshProtect™ Box

Cool, tailor-made solutions for fish, meat, produce or dairy products. The precise temperature settings—31°F, 34°F or 37°F—**help food stored in the FreshProtect Box stay fresh longer.** The drawer extends smoothly on telescopic rails and has a net capacity of five gallons. Independent of the remaining refrigerator section, the temperature is set via the control panel on the door exterior.



Built-in Refrigeration Specifications



	800 Plus Series 36"	800 Plus Series 30"
Model Numbers	B36BT830NS Stainless Steel	B30BB830SS Stainless Steel
Appearance	Built-in	Built-in
	Full-height Door—True Cabinet Integration without Exposed Venting Grille	Full-height Door—True Cabinet Integration without Exposed Venting Grille
	OptiFlex® Hinge—Opens Out and Away from Cabinetry Up to 115° Door Opening Angle	OptiFlex® Hinge—Opens Out and Away from Cabinetry Up to 115° Door Opening Angle
	Pre-assembled with Stainless Steel Panels and Handles	Pre-assembled with Stainless Steel Panels and Handles
	Frame Kit for Flush Installations (25" deep cut-outs) or Framed Installations (24" deep cut-outs), Pre-assembled	Frame Kit for Flush Installations (25" deep cut-outs) or Framed Installations (24" deep cut-outs), pre-assembled
Performance	Dual Compressor and Dual Evaporator	Dual Compressor and Dual Evaporator
	Electronic Controls for Precise Temperature Management	Electronic Controls for Precise Temperature Management
	Full-width Meat Drawer	Full-width Meat Drawer
	Carbon Air Filter Reduces Odors and Keeps Air Clean and Fresh	Carbon Air Filter Reduces Odors and Keeps Air Clean and Fresh
	Humidity-controlled Crispers	Humidity-controlled Crispers
	Filtered Ice-maker	Filtered Ice-maker
	SuperCool™/SuperFreeze™	SuperCool™/SuperFreeze™
Convenience	All-LED Sidewall and Theater Lighting	All-LED Sidewall and Theater Lighting
	Full-width Glass Shelves with Metal Trim	Full-width Glass Shelves with Metal Trim
	Full-length Cantilever Racks for Ultimate Adjustability	Full-length Cantilever Racks for Ultimate Adjustability
	Full-extension Drawers at 90° Door Opening Angle	Full-extension Drawers at 90° Door Opening Angle
	Gallon Door Bins	Gallon Door Bins
	Large-capacity Freezer Drawer	Large-capacity Freezer Drawer
Safety	Door Open Alarm	Door Open Alarm
Efficiency	ENERGY STAR® Qualified	ENERGY STAR® Qualified
	Sabbath Mode	Sabbath Mode
	Economy Mode	Economy Mode
	Vacation Mode	Vacation Mode
Capacity	19.5 cu ft	16 cu ft

Freestanding French Door Refrigeration Specifications



	800 Series
Model Numbers	B26FT70SNS Stainless Steel
Appearance	Standard Depth
	Hidden Hinges
Performance	VitaFresh® Food Preservation System with Automatic Humidity and Temperature Control Keeps Food Fresher, Longer
	Multi-flow Shower Cooling System
	SuperCool™/SuperFreeze™
	Hide-away Water Filter
	Spill-proof Glass Shelves
	SteelTouch™ Controls with LED Display
	QuickIce for Fast Ice Production
Convenience	All-level LED Lighting
	Frameless Exterior Ice and Water Dispenser with LED Illumination Serves Filtered Water, Crushed and Cubed Ice
	Gallon Door Storage Bins
	Adjustable Split-glass Shelving
	Full-extension VitaFresh® Drawers
	Full-size Deli Drawer
Safety	Door Open Alarm
	Dispenser Control Lock
Efficiency	ENERGY STAR® Qualified
Capacity	25.9 cu ft

Freestanding Side-by-Side Refrigeration Specifications



800 Series Interior



LEARN MORE AT energystar.gov



LEARN MORE AT energystar.gov



LEARN MORE AT energystar.gov

	800 Series	500 Series	300 Series
Model Numbers	B22CS80SNS Stainless Steel	B22CS50SNS Stainless Steel B22CS50SNW White	B22CS30SNS Stainless Steel
Appearance	Counter-depth Hidden Hinges Long Door Color-matched Sides	Counter-depth Hidden Hinges Long Door Color-matched Sides	Counter-depth Hidden Hinges Long Door Color-matched Sides
Performance	Dual Evaporator FreshProtect™ Box—Three Adjustable Temperature Settings for Fish and Meat, Dairy or Produce Multi-flow Shower Cooling System SuperCool™/SuperFreeze™ Hide-away Water Filter Spill-proof Glass Shelves Touch Controls with LCD Display AirFresh Filter® QuickIce for Fast Ice Production	Dual Evaporator FreshProtect™ Box—Three Adjustable Temperature Settings for Fish and Meat, Dairy or Produce Multi-flow Shower Cooling System SuperCool™/SuperFreeze™ Hide-away Water Filter Spill-proof Glass Shelves Touch Controls with LCD Display AirFresh Filter® QuickIce for Fast Ice Production	Dual Evaporator Humidity Controlled Drawer for Produce Multi-flow Shower Cooling System SuperCool™/SuperFreeze™ Hide-away Water Filter Spill-proof Glass Shelves Touch Controls with LED Display
Convenience	Frameless Exterior Ice and Water Dispenser CoolGlow™ LED Interior Lighting Deli Drawer Gallon Door Bins Full Extension Freezer Drawers Tilt-out Door Bins in Freezer Can Rack Bottle Rack CoolPaks™ for Ice Coolers are Conveniently Stored in their Own Compartment in the Freezer Door Two EasyLift™ Shelves EasyLift™ Door Bin	Frameless Exterior Ice and Water Dispenser Extra Bright Halogen Lighting Deli Drawer Gallon Door Bins Full Extension Freezer Drawers Tilt-out Door Bins in Freezer Can Rack Bottle Rack CoolPaks™ for Ice Coolers Are Conveniently Stored in Their Own Compartment in the Freezer Door EasyLift™ Shelf	Frameless Exterior Ice and Water Dispenser Extra Bright Lighting Deli Drawer Gallon Door Bins Full Extension Freezer Drawers Tilt-out Door Bins in Freezer
Safety	Door Open Alarm Dispenser Control Lock	Door Open Alarm Dispenser Control Lock	Door Open Alarm Dispenser Control Lock
Efficiency	ENERGY STAR® Qualified Economy Mode Vacation Mode Sabbath Mode	ENERGY STAR® Qualified Economy Mode Vacation Mode Sabbath Mode	ENERGY STAR® Qualified
Capacity	21.7 cu. ft.	21.7 cu. ft.	22.1 cu. ft.

Colors



Stainless Steel
(B22CS50SNS Model Shown)



White
(B22CS50SNW Model Shown)



More room in a smaller space.

Compact Laundry



Commitment to capacity. That's the thinking behind Bosch's German-engineered compact washer and dryer. We take a little extra time to ensure that we're providing you with the best quality washer and dryer because we know you want to take care of your clothes. We make sure that you get the maximum performance without wasting any space in your home.



Quality

Bosch has evolved into the leading manufacturer of washers worldwide. Our success is built on our commitment toward producing washers with the highest standards in mind. And with 100% of our washers and dryers tested at our facilities, it's no wonder that Bosch has won numerous accolades for their superior quality and value.

One-piece stainless steel drum

The high-quality one-piece drum in Bosch washers and dryers **protects your fabrics and extends the life of your clothes.**

Touch Controls

Bosch's European-size laundry units are extremely easy to use, thanks to their convenient Touch Controls. These controls are **incredibly responsive and easily activate** with just the touch of a button.

ENERGY STAR® qualified

Bosch clothes washers are ultra-efficient. In fact, they **exceed ENERGY STAR® requirements by up to 68%.**

Good Housekeeping Seal

Bosch washers and dryers are backed by the Good Housekeeping Seal, which provides an independent **two-year limited warranty.**



Convenience

Combining simple installation with a compact form, Bosch gives you the flexibility to place your washer in an area that's most convenient to you.

Condensation drying

Offering the latest technology on the market, condensation drying condenses the moisture in the hot air and releases it through the water drain. This way, **no ducting and no blower are necessary** to help expel hot air. This makes installation easy, fast and cost-effective.

Capacity

Even with our small footprint, our washer holds more than most. With up to a 17.6-pounds-per-load capacity, it easily **fits up to 14 pairs of jeans in one load.** Plus, an expansive viewing window and lightweight door make loading and unloading a snap.

Easy installation

You can stack or install your laundry appliances side by side, on a pedestal, in the closet or under the counter. Bosch washers and dryers offer **endless installation possibilities**, as you only need one electrical line to run both appliances.

Extra-fine Lint Filter

The wearing and washing of textiles causes lint, which becomes detached during drying. The unique double-walled extra-fine lint filters **reduce the amount of lint buildup** inside the machine and ensure greater wear comfort. It is also very easy to clean and maintain.

WrinkleBlock®

Featuring advanced WrinkleBlock technology, our dryers ensure that your clothes **stay wrinkle-free in the dryer** for up to two hours.

Performance

Leveraging our technological expertise, Bosch has created a washer line that **performs at elite standards**. And by utilizing features like customizable wash cycles, we're keeping our commitment toward efficiency and the environment.

Automatic wash system

This cycle **automatically determines the weight of clothing and suds**. The automatic wash system then adjusts the water level, temperature and spin speeds to manage your cleaning tasks, and ensures that **no extra water or energy is wasted**.

Intelligent drying system

An intelligent network of sensors ensures perfect drying results by **maintaining the exact drying temperature**, monitoring moisture left in your clothes and preventing wrinkles before they start.

Raindrop-structured drum

Bosch washers feature an **innovative raindrop drum pattern** that delivers a tailored solution for all fabric types, for powerful cleaning that protects your clothes. Depending on the cycle, the **washer adjusts the direction of the drum rotation**, using the steeper edges for heavy duty or shallow edges for delicate fabrics that require gentler care.

Gentle drying

The design of the drum surface **creates an air cushion** between the textile and the drum, ensuring gentle results.

Quiet operation

The 3D sensors in Bosch washers monitor the load weight and movement of the drum in three dimensions to **eliminate extreme imbalances**. Additionally, the circular pattern of the AntiVibration™ sidewalls reinforces its strength, making the drum much more stable. The result is up to 30% less vibration.

Wool Cycle

Special program with low spin speed, short program time and reduced temperature to **safely clean your washable wool**. Reduce your trips to the dry cleaner—clothes come out beautifully and you can save time and money.

Sanitary Cycle

Using a thermostat-controlled, **intelligent sensor for improved precision**, this innovative cycle heats up to 161°F and maintains this temperature for three minutes. After killing 99% of most common household bacteria, the water temperature is reduced to prevent fabric breakdown.

Tailored washing programs

With up to **15 different tailored washer programs** and up to **11 different tailored dryer programs**, Bosch offers the flexibility and fabric care that specifically meet your everyday needs.



Compact Washer Specifications



	Axxis® Plus Washer		Axxis® Washer		Axxis® One Washer	
Model Numbers	WAS24460UC	White	WAS20160UC	White	WAE20060UC	White
Appearance	Large Capacity on Compact Footprint		Large Capacity on Compact Footprint		Large Capacity on Compact Footprint	
	15 Wash Cycles and Eight Wash Options		15 Wash Cycles and Six Wash Options		15 Wash Cycles and Three Wash Options	
	Large LED Display		Multifunction Status LED		LED Indicators	
	Advance Touch Control Technology		Advance Touch Control Technology		Electronic Controls	
	Stainless Steel Structured Drum		Stainless Steel Structured Drum		Stainless Steel	
Convenience	Wash Up to 17.6 lb		Wash Up to 17.6 lb		Wash Up to 13.2 lb	
	Stackable—Space Saving		Stackable—Space Saving		Stackable—Space Saving	
	Washer Plugs into Dryer for Easy Installation		Washer Plugs into Dryer for Easy Installation		Washer Plugs into Dryer for Easy Installation	
	Large LED Display with Remaining Time		Multifunction Status LED		LED Indicators	
	End of Cycle Signal		End of Cycle Signal			
	Self-cleaning Detergent Dispenser		Self-cleaning Detergent Dispenser		Self-cleaning Detergent Dispenser	
	24-hour Delay Start Timer					
	Performance	3D Sensor Controls Imbalance		3D Sensor Controls Imbalance		Quiet Performance at 57 dBA
AntiVibration™ Sidewalls Reduce Vibration by up to 30%		AntiVibration™ Sidewalls Reduce Vibration by up to 30%				
Unique Raindrop Drum Pattern for Powerful Cleaning that Protects Clothes		Unique Raindrop Drum Pattern for Powerful Cleaning that Protects Clothes				
Up to 1200-rpm Maximum Spin Speed		Up to 1000-rpm Maximum Spin Speed		Up to 1000-rpm Maximum Spin Speed		
Five Spin Speed Settings/Five Temp. Settings		Five Spin Speed Settings				
Sensor-controlled Automatic Washing Programs		Sensor-controlled Automatic Washing Programs		Sensor-controlled Automatic Washing Programs		
Sanitary Cycle Heats Wash Water Up to 161° F		Sanitary Cycle Heats Wash Water Up to 161° F		Sanitary Cycle Heats Wash Water Up to 161° F		
KidsCare® Cycle Removes Toughest Stains		KidsCare® Cycle Removes Toughest Stains		KidsCare® Cycle Removes Toughest Stains		
Refresh Cycle Refreshes Loads Up to Four lb		Refresh Cycle Refreshes Loads Up to Four lb		Refresh Cycle Refreshes Loads Up to Four lb		
Wool/Handwash Cycle		Wool/Handwash Cycle		Wool/Handwash Cycle		
Heavy-duty Option Targets the Toughest Stains		Heavy-duty Option Targets the Toughest Stains				
Reduced Ironing Option		Reduced Ironing Option				
Rinse Plus Option Improved Rinsing		Rinse Plus Option Improved Rinsing		Rinse Plus Option Improved Rinsing		
Sport Wear Cycle						
Quick Wash Cycle for Small Light-soil Loads				Quick Wash Option for Small Light-soil Loads		
Dark Color Cycle Prevents Fading						
Silk/Satin Cycle for Sensitive Fabric						
Efficiency	ENERGY STAR® Qualified		ENERGY STAR® Qualified		ENERGY STAR® Qualified	
	Advanced SensoTronic® II Plus Analyzes Washer for Appropriate Level and Temperature of Water		Advanced SensoTronic® Plus Analyzes Washer for Appropriate Level and Temperature of Water		Advanced SensoTronic® Plus Analyzes Washer for Appropriate Level and Temperature of Water	
	Internal Water Heater Heats Water Quickly and Efficiently		Internal Water Heater Heats Water Quickly and Efficiently		Internal Water Heater Heats Water Quickly and Efficiently	
Accessories	WTZ11310UC	White Stacking Kit	WTZ11310UC	White Stacking Kit	WTZ11311	White Stacking Kit*
	WTZ11300UC	White Stacking Kit with Pull-out Tray	WTZ11300UC	White Stacking Kit with Pull-out Tray		
	WTZ1640	AquaStop® Hose—Washer*	WTZ1640	AquaStop® Hose—Washer*	WTZ1640	AquaStop® Hose—Washer*
	WMZ20490	Washer Pedestal	WMZ20490	Washer Pedestal	WMZ20490	Washer Pedestal

*Visit www.boschappliances.com

Compact Dryer Specifications



	Axxis® Condensation Dryer		Axxis® Vented Dryer		Axxis® One Condensation Dryer	
Model Numbers	WTE86300US	White (Condensation)	WTV76100US	White (vented)	WTC82100US	White (Condensation)
Appearance	Large Capacity on Compact Footprint		Large Capacity on Compact Footprint		Large Capacity on Compact Footprint	
	11 Drying Cycles and Four Drying Options		9 Drying Cycles and Two Drying Options		9 Drying Cycles and Three Drying Options	
	Multifunction LED with Remaining Time		Multifunction Status LED		LED Indicators	
	Advance Touch Control Technology		Advance Touch Control Technology		Electronic Controls	
	One-piece Stainless Steel Structured Drum		One-piece Stainless Steel Structured Drum		Galvalume Tub	
	See-thru Door		See-thru Door			
Convenience	Drying Up to 17.6 lb—Fits Up to 14 Pairs of Jeans in One Load		Drying Up to 17.6 lb—Fits Up to 14 Pairs of Jeans in One Load		Drying Up to 13.2 lb	
	Stackable—Space Saving and Easy Installation		Stackable—Space Saving and Easy Installation		Stackable—Space Saving and Easy Installation	
	Multifunction LED with Remaining Time		Multifunction Status LED		LED Indicators	
	Extra-fine Lint Filter for Easy Cleaning and Maintenance		Extra-fine Lint Filter for Easy Cleaning and Maintenance		Extra-fine Lint Filter for Easy Cleaning and Maintenance	
	24-hour Delay Start Timer					
	Performance	Virtually silent: 67 dBA		Virtually silent: 67 dBA		Virtually silent: 66 dBA
Long-lasting One Piece Snag Free Stainless Steel Drum		Long-lasting One Piece Snag Free Stainless Steel Drum				
Unique Structured Drum Pattern Creates an Air Cushion to Protect Your Clothes		Unique Structured Drum Pattern Creates an Air Cushion to Protect Your Clothes				
118 CFM High Air Volume		110 CFM High Air Volume		118 CFM High Air Volume		
Sensor-controlled Automatic Drying Programs		Sensor-controlled Automatic Drying Programs		Sensor-controlled Automatic Drying Programs		
Intelligent Sensors Prevent Overheating		Intelligent Sensors Prevent Overheating		Intelligent Sensors Prevent Overheating		
Touch-up Cycle for Extreme Temperature-sensitive Fabrics (20 min.)		Touch-up Cycle for Extreme Temperature-sensitive Fabrics (20 min.)				
40-minute Timed Program		40-minute Timed Program		20-, 40-, 60-minute Timed Program		
Low Heat Option Reduces Heat on Specified Program		Low Heat Option Reduces Heat on Specified Program		Low Heat Option Reduces Heat on Specified Program		
Extended WrinkleBlock® Up to 120 min.		Extended WrinkleBlock® Up to 60 min.		Extended WrinkleBlock® Up to 30 min.		
Short Program for Small Loads						
Easy Ironing Option				Easy Ironing Option		
Wool Cycle for Machine-washable Woolen Textiles						
Efficiency		Intelligent Moisture Sensor Monitors the Drying Process to Preventing Wasted Energy and Overdrying		Electronic Moisture Sensor Monitors the Drying Process to Preventing Wasted Energy and Overdrying		Electronic Moisture Sensor Monitors the Drying Process to Preventing Wasted Energy and Overdrying
Accessories	WTZ11310UC	White Stacking Kit	WTZ11310UC	White Stacking Kit	WTZ11311	White Stacking Kit*
	WTZ11300UC	White Stacking Kit with Pull-out Tray	WTZ11300UC	White Stacking Kit with Pull-out Tray		
	WMZ20500	Dryer Pedestal	WMZ20500	Dryer Pedestal	WMZ20500	Dryer Pedestal

Accessories



Compact Laundry



Makes a big impression on your kitchen.

Coffee Machines | Kitchen Machines



Take it from our engineers: there's inspiration in that first cup of coffee. And we've got the machines to get your day started, and to get you through the rest of it. Beautifully designed, our small appliances make a big impact on the look and feel of your kitchen, and offer the quality performance and engineering you expect from Bosch.

Tassimo® Single-serve Coffee Machines



Smart bar code scanner

Each T DISC® has a unique bar code that the Tassimo machine reads. It then adjusts the brew temperature and amount of water to make the **perfect cup every time**.

Large variety of high-quality beverages

Tassimo is the only home brewing system that gives everyone exactly what they want. Creating the **perfect caffe crema, espresso, coffee, latte, cappuccino, tea, and hot chocolate** has never been easier.

Customized beverage strength

You can **interrupt or extend the cycle** of your coffee, cappuccino, latte, macchiato, hot chocolate or tea to your taste.

Flow-through water heater

Near-instant brewing the moment the machine is powered on means no preheat time. And when you're ready to enjoy another cup, there's virtually no wait time between beverages.

Benvenuto® Built-in Coffee Machine



AromaSwirl®

This special system **completely engulfs the coffee grounds** in hot water and then brews them in a pressurized chamber. The result is coffee made under perfect conditions.

Your brew, your way

By using the coffee selection knob, you can choose the **exact size and strength** of beverage. Brewed for you, by you.

Choose your perfect grind

The Benvenuto works **equally well with whole beans or pre-ground coffee**. You have complete control over the amount of coffee used for each cup, as well as the coarseness of the grind.

One-touch operation

The Bosch Benvenuto is **so simple, anyone can use it**. You can start the entire brewing process with just the push of a button.

Universal Kitchen Machine



Powerful motor function

800 watts of motor power and a 6.5-quart mixing bowl can handle up to **15 pounds of dough**.

Mixing protection

Safety is important. The mixer is designed so it **works only when the top is closed**. Strong suction feet on the base add stability.

Dishwasher-friendly

All parts and accessories are **safe for the dishwasher**, and the removable axle makes it a lot easier to clean.



Optional blender

To **add more versatility**, such as making frozen drinks, smoothies, milkshakes or sauces and dips, the blender is the perfect accompaniment.



Easy-on and -off accessories

From food processors perfect for chopping and mixing, to meat grinders that allow you to grind and mince fresh meats, to noodle attachments that **allow you to create** pasta in a variety of shapes, our accessories can prepare food in almost every conceivable manner.

Small Appliances Specifications



	T65 Tassimo® Single-serve Coffee Machine	T55 Tassimo® Single-serve Coffee Machine	T45 Tassimo® Single-serve Coffee Machine
Model Numbers	TAS6515UC8 Titanium	TAS5542UC	TAS4515UC8 Silver TAS4516UC8 Red
Appearance	Space-saving Design in a Sophisticated Color	New Sleek, Compact Design	Space-saving Design in a Sophisticated Color
Convenience	Fully Automatic One-button Operation Intelligent Drink Identification—Bar Code Technology Adjusts So That Each Beverage Is Prepared with Ideal Pressure, Temperature, Water, and Time Duration Variable Drink Strength—Fully Automatic Brew Cycle Can Be Interrupted or Extended at Any Time Water Filtration System—Reduces Lime and Chlorine to Improve Taste and Extend Machine Life Multilingual LC Display—Guides Users Through All Functions and Service Steps in Five Languages Cup Light Stand—Lights Above the Cup Stand for Illumination	Fully Automatic One-button Operation Intelligent Drink Identification—Bar Code Technology Adjusts So That Each Beverage Is Prepared with Ideal Pressure, Temperature, Water, and Time Duration Variable Drink Strength—Fully Automatic Brew Cycle Can Be Interrupted or Extended at Any Time Water Filtration System—Reduces Lime and Chlorine to Improve Taste and Extend Machine Life	Fully Automatic One-button Operation Intelligent Drink Identification—Bar Code Technology Adjusts So That Each Beverage Is Prepared with Ideal Pressure, Temperature, Water, and Time Duration Variable Drink Strength—Fully Automatic Brew Cycle Can Be Interrupted or Extended at Any Time Water Filtration System—Reduces Lime and Chlorine to Improve Taste and Extend Machine Life
Performance	Large Variety of High-quality Hot Beverages: Freshly Brewed Coffee, Espresso, Cappuccino, Latte Macchiato, Hot Chocolate or Tea Right Away Innovative Flow-Through Water Heater Ready to Go the Moment the Machine is Switched On and Virtually No Heat-up Time Between Drinks Low Energy Consumption—Automatically Reverts to Stand-by Mode after Every Brewing Cycle Only Brewer Using Real Milk Noise Reduction System Reduces Noise While Brewing	Large Variety of High-quality Hot Beverages: Freshly Brewed Coffee, Espresso, Cappuccino, Latte Macchiato, Hot Chocolate or Tea Right Away Innovative Flow-Through Water Heater Ready to Go the Moment the Machine is Switched On and Virtually No Heat-up Time Between Drinks Low Energy Consumption—Automatically Reverts to Stand-by Mode after Every Brewing Cycle Only Brewer Using Real Milk Noise Reduction System Reduces Noise While Brewing	Large Variety of High-quality Hot Beverages: Freshly Brewed Coffee, Espresso, Cappuccino, Latte Macchiato, Hot Chocolate or Tea Right Away Innovative Flow-Through Water Heater Ready to Go the Moment the Machine is Switched On and Virtually No Heat-up Time Between Drinks Low Energy Consumption—Automatically Reverts to Stand-by Mode after Every Brewing Cycle Only Brewer Using Real Milk
Optional Accessories			

T20 Tassimo® Single-serve Coffee Machine	
TAS2002UC8 Black	TAS2001UC8 White
Fully Automatic One-button Operation Intelligent Drink Identification—Bar Code Technology Adjusts So That Each Beverage Is Prepared with Ideal Pressure, Temperature, Water, and Time Duration Variable Drink Strength—Fully Automatic Brew Cycle Can Be Interrupted or Extended at Any Time	
Large Variety of High-quality Hot Beverages: Freshly Brewed Coffee, Espresso, Cappuccino, Latte Macchiato, Hot Chocolate or Tea Right Away Innovative Flow-Through Water Heater Ready to Go the Moment the Machine is Switched On and Virtually No Heat-up Time Between Drinks Low Energy Consumption—Automatically Reverts to Stand-by Mode after Every Brewing Cycle Only Brewer Using Real Milk	
TCZ2001	Color Kit—Strawberry Red
TCZ2002	Color Kit—Mint Blue
TCZ2003	Color Kit—Lime Green
TCZ2004	Color Kit—Hazelnut Brown

Benvenuto® Built-in Coffee Machine	
Model Numbers	TKN68E75UC Stainless Steel
Convenience	Easy-to-use Multilingual Digital Display Freshly Brewed Coffee and Espresso at the Push of a Button Rotary Knobs for Selecting All Functions Separate Large Chambers for Coffee Beans (14 oz.) and Ground Coffee Separate Container for Second Ground Coffee Flavor or Decaf Removable Water Tank for Easy Filling (½ gallon) Height-adjustable Coffee Dispenser Automatic Descaling Program Automatic Cleaning Program Fully Automatic Rinse Program at Turn-on and Turn-off Includes: Measuring Spoon, Water Filter, Two Cleaning Tablets Three Coffee Temperature Levels
Performance	AromaSwirl® Brewing System for Maximum Flavor Extraction 215-psi (15 bar) Thermo Block-pump Pressure System Steam and Hot Water Function Automatic Grinding System, Holds up to 14 oz Fresh Coffee Beans: Degree of Grinding Selectable 12-cup Size and Levels of Coffee Strength (Grind Quantity)—Smooth to Super Strong

Color Kits



Strawberry Red
(TCZ2001 Model Shown)



Mint Blue
(TCZ2002 Model Shown)



Lime Green
(TCZ2003 Model Shown)



Hazelnut Brown
(TCZ2004 Model Shown)

Small Appliances Specifications



	Universal Kitchen Machine Plus	Universal Kitchen Machine
Model Numbers	MUM6N11UC	MUM6N10UC
Convenience	Security Device, Cover for Both Drives	Security Device, Cover for Both Drives
	Integrated Cable Storage	Integrated Cable Storage
	Durable, Easy to Clean Surface	Durable, Easy to Clean Surface
	Wide Range of Optional Accessories Eliminate the Need for Many Additional Kitchen Appliances	Wide Range of Optional Accessories Eliminate the Need for Many Additional Kitchen Appliances
Performance	800-watt Motor	800-watt Motor
	Easy-to-use (4 Speeds plus Impulse) with Slower Low-speed Setting; Faster High-speed Setting	Easy-to-use (4 Speeds plus Impulse) with Slower Low-speed Setting; Faster High-speed Setting
	6.5-quart High-volume Mixing Bowl with Higher Dough Capacity	6.5-quart High-volume Mixing Bowl with Higher Dough Capacity
	Dough Hook, Scraper and Double Beater Included	Dough Hook, Scraper and Double Beater Included
	1.5-quart Blender for Mixing, Blending and Crushing Ice	

Universal Kitchen Machine Accessories



Universal Kitchen Machine Accessories	Accessory Model No.
1. Blender	MUZ6MX3
2. Citrus Juicer	MUZ6ZP1
3. Food Processor	MUZ6MM3
4. Shredder with Bowl	MUZ6TS5
5. Julienne Disc	MUZ7JS1
6. French Fries Disc	MUZ7PS1
7. Coarse Grater Disc	MUZ7RS1
8. Fine Grater Disc	MUZ7KS1
9. Food and Meat Grinder	MUZ6FW4
10. Batter Whisk	MUZ6NDB2UC
11. Wire Whisk	MUZ6DB3
12. Sausage Stuffer	MUZ7WS1
13. Fruit Pulper	MUZ7FV1
14. Pasta Attachment	MUZ7NV1
15. Cereal Mill	MUZ7GM1
16. Stainless Steel Bowl	MUZ6ER2
17. Plastic Bowl	MUZ6KR4NUC



Dishwasher Technical Details

Model	800 Series Plus	800 Series Plus	800 Series Plus	800 Series Plus	800 Series Plus	800 Series Plus	800 Series	800 Series	800 Series	500 Series	500 Series	500 Series	500 Series
Color													
Stainless Steel	SHE9ER55UC	SHX9ER55UC	SHE8ER55UC	SHX8ER55UC	SHE7ER55UC	SHX7ER55UC	SHX98M09UC	SHE68R55UC	SHX68R55UC	SHX55RL5UC	SHE55R55UC	SHX55R55UC	SHE55M15UC
White								SHE68R52UC	SHX68R52UC		SHE55R52UC	SHX55R52UC	SHE55M12UC
Black								SHE68R56UC	SHX68R56UC		SHE55R56UC	SHX55R56UC	SHE55M16UC
Other													
Custom Panel		SHV9ER53UC		SHV8ER53UC		SHV7ER53UC				SHV68R53UC			SHV55R53UC
Silence													
dBA	39	39	40	40	42	42	42	44	44	46	46	46	47
InfoLight®		■		■		■		■	■	■	■	■	■
Efficiency													
Water—Gallons/Load	2.22	2.22	2.22	2.22	2.22	2.22	2.9	2.9	2.9	2.95	2.95	2.95	2.95
Energy—kWh/Year	200	200	180	180	259	259	190	234	234	259	259	259	259
Wash Cycles	6	6	6	6	5	5	9	6	6	4	4	4	5
Heavy	■	■	■	■	■	■		■	■	■	■	■	■
Normal	■	■	■	■	■	■	■	■	■	■	■	■	■
Auto	■	■	■	■	■	■	■	■	■	■	■	■	■
Half Load										■	■	■	
Delicate			■	■	■	■		■	■				■
Express	■	■	■	■	■	■	■	■	■				■
Rinse/Rinse & Hold							■	■	■				
Glass Care	■	■	■	■			■		■				
Auto Plus	■	■					■						
Auto Delicate	■	■					■						
Extreme Wash							■						
Enviro Wash							■						
Options	5	5	5	5	3	3	2	3	3	2	2	2	3
Half Load	■	■	■	■	■	■		■	■				■
EcoAction®	■	■	■	■									■
Extra Wash	■	■	■	■									
Sanitize	■	■	■	■	■	■	■	■	■	■	■	■	■
Delay Start	24 h	24 h	24 h	24 h	24 h	24 h	24 h	19 h	19 h	19 h	19 h	19 h	19 h
Safety													
Leak Protection	AquaStop® Plus	AquaStop® Plus	AquaStop® Plus	AquaStop® Plus	AquaStop® Plus	AquaStop® Plus	AquaStop®	AquaStop®	AquaStop®	AquaStop®	AquaStop®	AquaStop®	AquaStop®
ChildLock Electric													■
ChildLock Mechanical	■												
PerfectDoor®	■	■	■	■	■	■	■	■	■	■	■	■	■
Self-latching Door													
Wash Sensor													
EcoSense®	■	■	■	■	■	■	■	■	■	■	■	■	■
Load Size Sensor	■	■					■	■	■				
Variable Spray Pressure	■	■	■	■	■	■	■	■	■				
Upper Rack	VarioFlex™ Plus	VarioFlex™ Plus	VarioFlex™	VarioFlex™	Vario™	Vario™	800	800	800	800	500	500	800
Place Setting Capacity	15	15	15	15	15	15	14	14	14	14	14	14	14
Adjustability	RackMatic® Plus	RackMatic® Plus	RackMatic® Plus	RackMatic® Plus	RackMatic® Plus	RackMatic® Plus	RackMatic®	RackMatic®	RackMatic®	RackMatic®	RackMatic®	RackMatic®	RackMatic®
ActiveTab® Tray	■	■	■	■	■	■							
Handle	ActiveTab® Tray with s/s	ActiveTab® Tray with s/s	ActiveTab® Tray	ActiveTab® Tray	ActiveTab® Tray	ActiveTab® Tray	Bosch Plastic	Bosch Plastic	Bosch Plastic	Bosch Plastic	Bosch Plastic	Bosch Plastic	Bosch Plastic
Flip Tines	6	6	2	2	0	0	4	2	2	2	1	1	4
Cup Shelves	2	2	2	2	2	2		3	3	3	2	2	2
Plastic Item Clips	3	3	3	3	0	0							
Small Accessory Basket	■	■					■	■	■	■	■	■	
Knife Rack													
Lower Rack	VarioFlex™ Plus	VarioFlex™ Plus	VarioFlex™	VarioFlex™	Vario™	Vario™	800	800	800	500	500	500	800
Handle	Bosch Plastic with s/s	Bosch Plastic with s/s	Bosch Plastic	Bosch Plastic			Bosch Plastic	Bosch Plastic	Bosch Plastic	Handle Wire	Handle Wire	Handle Wire	Handle Wire
Flip Tines	6	6	4	4	2	2	4	2	2	1	1	1	4
Plastic Item Clips													
Silverware Basket	Flexible	Flexible	Flexible	Flexible	Flexible	Flexible	Duo-Flex	Duo-Flex	Duo-Flex	Duo-Flex	Duo-Flex	Duo-Flex	Duo-Flex
Silverware Basket Cover	■	■	■	■	■	■	■	■	■	■	■	■	■
Vase/Baby Bottle Holder	■	■					■	■	■				■
Display													
Remaining Time	■	■	■	■	■	■	■	■	■	■	■	■	■
Sanitized Indicator Light	■	■	■	■	■	■	■	■	■	■	■	■	■
Rinse Aid Indicator Light	■	■	■	■	■	■	■	■	■	■	■	■	■
End-of-Cycle Indicator							■						
Other													
3rd Loading Level	■	■	■	■	■	■							
Extra Tall Item Sprinkler	■	■	■	■	■	■	■	■	■	■	■	■	■
Detergent & Rinse-Aid Dispenser	■	■	■	■	■	■	■	■	■	■	■	■	■
End-of-Cycle Sound	■	■	■	■	■	■	■	■	■	■	■	■	■
OptiDry®	■	■	■	■	■	■	■	■	■	■	■	■	■
Power Cord Included	■	■	■	■	■	■							
Water Hose Included	■	■	■	■	■	■							
Water Softener	■	■	■	■	■	■							

Dishwasher Technical Details

Model	300 Series	300 Series	300 Series	300 Series	Ascenta®	Ascenta®	Ascenta®	Ascenta®	Ascenta®
Color									
Stainless Steel	SHE43P25UC	SHE43RL5UC	SHX43R55UC	SHX33RL5UC	SHE3AR75UC	SHX3AR75UC	SHE3ARL5UC	SHE3AR55UC	SHX3AR55UC
White	SHE43P22UC	SHE43RL2UC	SHX43R52UC		SHE3AR72UC	SHX3AR72UC	SHE3ARL2UC	SHE3AR52UC	SHX3AR52UC
Black	SHE43P26UC	SHE43RL6UC	SHX43R56UC		SHE3AR76UC	SHX3AR76UC	SHE3ARL6UC	SHE3AR56UC	SHX3AR56UC
Other									
Custom Panel			SHV43R53UC						
Silence									
dBA	52	48	48	50	50	50	50	50	50
InfoLight®		■	■						
Efficiency									
Water—Gallons/Load	2.95	2.95	2.95	2.95	2.95	2.95	2.95	2.95	2.95
Energy—kWh/Year	259	259	259	259	279	279	279	279	279
Wash Cycles									
Heavy	■	■	■	■	■	■	■	■	■
Normal	■	■	■	■	■	■	■	■	■
Auto	■	■	■	■	■	■	■	■	■
Half Load		■	■	■	■	■	■	■	■
Delicate					■	■			
Express	■				■	■	■		
Rinse/Rinse & Hold									
Glass Care									
Auto Plus									
Auto Delicate									
Extreme Wash									
Enviro Wash									
Options									
Half Load	■								
EcoAction®									
Extra Wash									
Sanitize		■	■	■	■	■	■	■	■
Delay Start	19 h	19 h			3/6/9 h	3/6/9 h	3/6/9 h	3/6/9 h	3/6/9 h
Safety									
Leak Protection	AquaStop®	AquaStop®	AquaStop®	AquaStop®	24/7 Overflow	24/7 Overflow	24/7 Overflow	24/7 Overflow	24/7 Overflow
ChildLock Electric	■		■		■	■	■	■	■
ChildLock Mechanical									
PerfectDoor®	■	■	■	■	■	■	■	■	■
Self-latching Door					■	■	■	■	■
Wash Sensor									
EcoSense®	■	■	■	■	■	■	■	■	■
Load Size Sensor									
Variable Spray Pressure					■	■	■	■	■
Upper Rack									
Place Setting Capacity	500	500	300	500	300	300	Standard	Standard	Standard
Adjustability	14	14	14	14	14	14	14	14	14
ActiveTab® Tray	RackMatic®	RackMatic®	Manual	RackMatic®	Manual	Manual			
Handle	Bosch Plastic	Bosch Plastic	Bosch Plastic	Bosch Plastic	Bosch Plastic	Bosch Plastic			
Flip Tines	2	2	1	2	1	1	1	1	1
Cup Shelves	2	2	2	2	2	2	1	1	1
Plastic Item Clips									
Small Accessory Basket									
Knife Rack									
Lower Rack									
Handle	Standard	300	Standard	Standard	300	300	Standard	Standard	Standard
Flip Tines	Handle Wire	Handle Wire			Handle Wire	Handle Wire			
Plastic Item Clips		1			1	1			
Silverware Basket	Long	Long	Long	Long	Long	Long	Long	Long	Long
Silverware Basket Cover	■	■	■	■	■	■	■	■	■
Vase/Baby Bottle Holder									
Display									
Remaining Time	■	■			■	■			
Sanitized Indicator Light	■	■	■	■	■	■	■	■	■
Rinse Aid Indicator Light	■	■	■	■	■	■	■	■	■
End-of-Cycle Indicator					■	■	■	■	■
Other									
3rd Loading Level									
Extra Tall Item Sprinkler									
Detergent & Rinse-Aid Dispenser	■	■	■	■	■	■	■	■	■
End-of-Cycle Sound	■	■	■	■	■	■	■	■	■
OptiDry®	■	■	■	■	■	■	■	■	■
Power Cord Included									
Water Hose Included									
Water Softener									

Special Application Dishwasher

Model	18" ADA	18" ADA	24" ADA
Color			
Stainless Steel	SPE5ES55UC	SPX5ES55UC	SGE63E15UC
White			
Black			SGE63E06UC
Other			
Custom Panel		SPV5ES53UC	
Silence			
dBA	46	46	49
InfoLight®	■	■	
Efficiency			
Water—gallons/load	3.00	3.00	2.11
Energy—kWh/year	259	259	234
Wash Cycles			
Heavy	■	■	■
Normal	■	■	■
Auto	■	■	■
Half Load			
Delicate			■
Express			■
Rinse/Rinse & Hold	■	■	
Glass Care			■
Auto Plus			
Auto Delicate			
Extreme Wash			
Enviro Wash			
Options			
Half Load	■	■	■
EcoAction®			■
Extra Wash			■
Sanitize	■	■	■
Delay Start	24 h	24 h	24 h
Safety			
Leak Protection	AquaStop® Plus	AquaStop® Plus	AquaStop® Plus
ChildLock Electric			■
ChildLock Mechanical			
PerfectDoor®	■	■	■
Self-latching Door			■
Wash Sensor			
EcoSense®	■	■	■
Load Size Sensor			
Variable Spray Pressure	■	■	■
Upper Rack			
Place Setting Capacity	Premium	Premium	Vario™
Adjustability	9	9	14
ActiveTab® Tray	RackMatic®	RackMatic®	Manual
Handle	■	■	■
Flip Tines	Bosch Plastic	Bosch Plastic	Active Tray
Flip Tines	2	2	
Cup Shelves	2	2	2
Plastic Item Clips	0	0	
Small Accessory Basket			
Knife Rack			
Lower Rack			
Handle	Premium	Premium	Vario™
Flip Tines	Bosch Plastic	Bosch Plastic	
Plastic Item Clips			
Silverware Basket	Flexible	Flexible	Flexible
Silverware Basket Cover	■	■	■
Vase/Baby Bottle Holder			
Display			
Remaining Time	■	■	■
Sanitized Indicator Light	■	■	■
Rinse Aid Indicator Light	■	■	■
End-of-Cycle Indicator			
Other			
3rd Loading Level			
Extra-tall-item Sprinkler			
Detergent & Rinse-Aid Dispenser	■	■	■
End-of-Cycle Sound	■	■	■
OptiDry®	■	■	■
Power Cord Included	■	■	■
Water Hose Included	■	■	■
Water Softener	■	■	■

Oven Technical Details

Model Number	800 Series	500 Series	800 Series	500 Series	500 Series	300 Series		300 Series	800 Series	500 Series	500 Series	300 Series	300 Series	300 Series
Color														
Stainless steel	HBL8750UC	HBL5750UC	HBL8650UC	HBL5650UC	HBN5650UC	HBL3550UC		HBN3550UC	HBL8450UC	HBL5450UC	HBN5450UC	HBL3450UC	HBN3450UC	HBL3350UC
Black		HBL5760UC		HBL5660UC		HBL3560UC				HBL5460UC		HBL3460UC		HBL3360UC
White		HBL5720UC		HBL5620UC						HBL5420UC				
Type	30" Combination	30" Combination	30" Double	30" Double	27" Double	30" Double		27" Double	30" Single	30" Single	27" Single	30" Single	27" Single	30" Single
Microwave Configuration*	Convection	Traditional												
Appearance														
Flush-to-cabinet Design	■	■	■	■	■	■		■	■	■	■	■	■	■
Touch Control	■		■						■					
Ergonomic Retractable Dials		■		■	■					■	■			
Ergonomic Dials						■		■				■	■	■
Amber-colored Full Text Display	■	■	■	■	■			■	■	■	■	■	■	■
Amber-colored Display						■		■				■	■	■
Performance														
Genuine European Convection	■	■	Upper/Lower	Upper	Upper				■	■	■			
Speed Convection	■	■	Upper	Upper	Upper				■	■	■			
Convection Bake, Broil, Roast	■	■	Upper/Lower	Upper	Upper	Upper		Upper	■	■	■	■	■	■
Bake, Broil, Roast	■	■	Upper/Lower	Upper/Lower	Upper/Lower	Upper/Lower		Upper/Lower	■	■	■	■	■	■
Pizza, Pie	■	■	Upper/Lower	Upper	Upper	Upper		Upper	■	■	■	■	■	■
Recipes	■	■	Upper/Lower	Upper	Upper				■	■	■			
Fast Preheat	■	■	Upper/Lower	Upper	Upper	Upper		Upper	■	■	■	■	■	■
Meat Probe	■	■	Upper	Upper	Upper				■	■	■			
Self-clean Mode	Two-hour Cycle	Two-hour Cycle	Two-hour Cycle	Two-hour Cycle	Two-hour Cycle	Two-hour Cycle		Two-hour Cycle	Two-hour Cycle	Two-hour Cycle	Two-hour Cycle	Two-hour Cycle	Two-hour Cycle	Two-hour Cycle
Star-K Certified	■	■	■	■	■				■	■	■			
Panel Lock	■		■						■					
Convenience														
Ball-bearing Telescopic Racks	1		1						1					
Standard Racks	2	3	5	5	5	5		5	2	3	3	3	3	2
Porcelain Self-clean Rack Supports	■	■	■	■	■	■		■	■	■	■	■	■	■
Porcelain Broil Pan	■	■	■	■	■				■	■	■			
Cavity Lighting	3 Halogen	2	3 Halogen per Cavity	2 per Cavity	2 per Cavity	1 per Cavity		1 per Cavity	3 Halogen	2	2	1	1	1
Concealed Bake Element	■	■	■	■	■	■		■	■	■	■	■	■	■
Recessed 10-pass Broil Element	■	■	■	■	■	■		■	■	■	■	■	■	■
Overall Oven Capacity*	4.7 cu ft	4.7 cu ft	4.7 cu ft	4.7 cu ft	4.2 cu ft	4.7 cu ft		4.2 cu ft	4.7 cu ft	4.7 cu ft	4.2 cu ft	4.7 cu ft	4.2 cu ft	4.7 cu ft
Technical														
Convection Element Wattage	2,000 W	2,000 W	2,000 W	2,000 W	2,000 W				2,000 W	2,000 W	2,000 W			
Broil Element Wattage	3,600 W	3,600 W	3,600 W	3,600 W	3,600 W	3,600 W		3,600 W	3,600 W	3,600 W	3,600 W	3,600 W	3,600 W	3,600 W
Bake Element Wattage	2,000 W	2,000 W	2,000 W	2,000 W	2,000 W	2,000 W		2,000 W	2,000 W	2,000 W	2,000 W	2,000 W	2,000 W	2,000 W
Dual-Rated 120/208–240 Volts, 4-Wire, 60 Hz	■	■	■	■	■	■		■	■	■	■	■	■	■
Amps	50	50	40	40	40	40		40	30	30	30	30	30	30
Approximate Shipping Weight	267 lb	267 lb	328 lb	328 lb	315 lb	328 lb		315 lb	193 lb	193 lb	179 lb	193 lb	179 lb	193 lb

*Please refer to the Microwave section for specifications.

Induction Cooktop Technical Details

Model	800 Series, 36"	800 Series, 30"	500 Series, 36"	500 Series, 30"	300 Series, 30"
Color					
Black w/Stainless Steel Trim	NIT8665UC	NIT8065UC	NIT5665UC	NIT5065UC	
Black					NIT3065UC
Element Size and Performance					
Left Front Size(s)	7"	9"	7"	9"	9"
Left Front Performance (with SpeedBoost®)	1,800 (2,500) W	2,200 (3,300) W	1,800 (2,500) W	2,200 (3,300) W	2,200 (3,300) W
Left Rear Size(s)	7"	6"	7"	6"	6"
Left Rear Performance (with SpeedBoost®)	1,800 (2,500) W	1,400 (1,800) W	1,800 (2,500) W	1,400 (1,800) W	1,400 (1,800) W
Center Size(s)	11"/7"		11"/7"		
Center Performance (with SpeedBoost®)	2,800 (4,400) W/1,800 (2,500) W		2,800 (4,400) W/1,800 (2,500) W		
Right Rear Size(s)	6"	11"	6"	11"	11"
Right Rear Performance (with SpeedBoost®)	1,400 (1,800) W	2,400 (3,600) W	1,400 (1,800) W	2,400 (3,600) W	2,400 (3,600) W
Right Front Size(s)	9"	6"	9"	6"	6"
Right Front Performance (with SpeedBoost®)	2,200 (3,300) W	1,400 (1,800) W	2,200 (3,300) W	1,400 (1,800) W	1,400 (1,800) W
Cooktop Power Requirements					
Voltage	Dual Rated 208/240 V, 3-Wire, 60 Hz	Dual Rated 208/240 V, 3-Wire, 60 Hz	Dual Rated 208/240 V, 3-Wire, 60 Hz	Dual Rated 208/240 V, 3-Wire, 60 Hz	Dual Rated 208/240 V, 3-Wire, 60 Hz
Amperage/Breaker	50	40	50	40	40

Electric Cooktop Technical Details

Model	800 Series, 36"	800 Series, 30"	500 Series, 36"	500 Series, 30"	300 Series, 36"	300 Series, 30"
Color						
Black w/Stainless Steel Trim	NET8654UC	NET8054UC	NET5654UC	NET5054UC		
Black					NEM3664UC	NEM3064UC
Element Size and Performance						
Left Front Size(s)	7"	7"/5"	7"	7"	7"/5"	7"/5"
Left Front Performance	1,800 W	1,700/700 W	1,800 W	1,800 W	1,700/700 W	1,700/700 W
Left Rear Size(s)	7"	7"	7"	7"	7"	7"
Left Rear Performance	1,800 W	1,800 W	1,800 W	1,800 W	1,800 W	1,800 W
Center Size(s)	12"/8"/6"		9"/6"	9"/6"	7"	
Center Performance	3,080/1,950/1,050 W		3,100 W/1,300 W	3,100 W/1,300 W	1,800 W	
Right Rear Size(s)	6"	12"/8"/6"	6"	6"	6"	6"
Right Rear Performance	1,200 W	2,700/1,950/1,050 W	1,200 W	1,200 W	1,200 W	1,200 W
Right Front Size(s)	8"/5"	6"	8"/5"		9"/6"	9"
Right Front Performance	1,900 W/800 W	1,200 W	1,900 W/800 W		2,500 W/1,100 W	2,500 W
Bridge Performance	400 W		400 W	400 W		
Cooktop Power Requirements						
Voltage	Dual Rated 208/240 V, 3-Wire, 60 Hz	Dual Rated 208/240 V, 3-Wire, 60 Hz	Dual Rated 208/240 V, 3-Wire, 60 Hz	Dual Rated 208/240 V, 3-Wire, 60 Hz	Dual Rated 208/240 V, 3-Wire, 60 Hz	Dual Rated 208/240 V, 3-Wire, 60 Hz
Amperage/Breaker	50	40	40	40	40	30

Gas Cooktop Technical Details

Model	800 Series, 36"	800 Series, 30"	500 Series, 36"	500 Series, 30"	300 Series, 36"	300 Series, 36"
Color						
Stainless Steel	NGM8654UC	NGM8054UC	NGM5654UC	NGM5054UC	NGM3654UC	NGM3054UC
Black			NGM5664UC	NGM5064UC		
White			NGM5624UC	NGM5024UC		
Burner Performance						
Left Front Performance	1,350–12,000 BTU	1,350–10,000 BTU	1,350–12,000 BTU	1,350–10,000 BTU	1,350–12,000 BTU	1,350–10,000 BTU
Left Rear Performance	1,350–12,000 BTU	1,100–5,500 BTU	1,350–12,000 BTU	1,350–10,000 BTU	1,350–12,000 BTU	1,350–10,000 BTU
Center Performance	1,350–18,000 BTU	1,350–16,000 BTU	1,350–16,000 BTU	n/a	1,350–14,000 BTU	n/a
Right Front Performance	1,350–12,000 BTU	1,100–5,500 BTU	1,350–12,000 BTU	1,350–16,000 BTU	1,350–12,000 BTU	1,350–14,000 BTU
Right Rear Performance	1,100–5,500 BTU	1,350–10,000 BTU	1,100–5,500 BTU	1,100–5,500 BTU	1,100–5,500 BTU	1,100–5,500 BTU
Cooktop Installation Requirements						
Voltage	120 V, 3 Wire Power Cord	120 V, 3 Wire Power Cord	120 V, 3 Wire Power Cord	120 V, 3 Wire Power Cord	120 V, 3 Wire Power Cord	120 V, 3 Wire Power Cord
Amperage/Breaker	15	15	15	15	15	15

Slide-in Range Technical Details

Model	700 Series	700 Series	700 Series	700 Series
Fuel Type	Dual-fuel	Dual-fuel	Electric	Electric
Color				
Stainless Steel Pro	HDI7282U		HEI7282U	
Stainless Steel		HDI7052U		HEI7052U
Black				
White				
Gas Cooktop Performance				
Left Rear	1,300–12,500 BTU	1,300–12,500 BTU		
Left Front	1,300–12,500 BTU	1,300–12,500 BTU		
Center				
Right Rear	800–5,500 BTU	800–5,500 BTU		
Right Front	1,300–16,000 BTU	1,300–16,000 BTU		
Gas Cooktop Features				
OptiSim® (400 BTU)	1	1		
PowerSim® Burner	1	1		
Sealed Burners	■	■		
Continuous Grates (Cast-Iron)	■	■		
Electronic Ignition	■	■		
PowerBoil™	■	■		
Simmer Burner	■	■		
Oval Burner				
Electric Cooktop Element Size(s) and Performance				
Left Rear Size(s)/Performance			5", 8"/1,900 W	7"/1,800 W
Left Front Size(s)/Performance			6"/1,500 W	7"/1,800 W + 800 W Bridge
Center Size(s)/Performance				
Right Rear Size(s)/Performance			6"/1,200 W	6"/1,200 W
Right Front Size(s)/Performance			12", 9", 6"/2,700 W	5", 7", 9", 2,500 W
Electric Cooktop Features				
Smooth Surface (Ceramic Glass)			■	■
Stainless Steel Cooktop Frame			■	■
Hot Surface Indicator Light			4	4
Electronic Cooktop On Indicator Lights			■	■
Simmer Element				
Bridge Element (800 W)				■
Oven Performance				
Broil	3,600 W	3,600 W	3,600 W	3,600 W
Bake	2,000 W	2,000 W	2,000 W	2,000 W
Third Element	1,100 W	1,100 W	1,100 W	1,100 W
Oven Features				
Capacity	4.6 cu ft	4.6 cu ft	4.6 cu ft	4.6 cu ft
Genuine European Convection	■	■	■	■
Convection				
Temperature Probe	■		■	
Convection Assisted Self-clean	■	■	■	■
Self-Clean				
Full-extension Rack	1		1	
Standard Racks	2	3	2	3
Rack Positions	6	6	6	6
Variable Broiling (Min/Max)	■	■	■	■
Oven Light	■	■	■	■
Wide View Oven Window				
Hidden Bake Element	■	■	■	■
Cooking Modes				
Bake	■	■	■	■
Broil	■	■	■	■
Automatic Convection Bake	■	■	■	■
Convection Bake				
Convection Broil	■		■	
Convection Roast	■		■	■
Convection Conversion	■		■	■
Dehydrate	■		■	■
Keep Warm Oven Mode	■		■	■
Star-K Certified	■		■	■
Proof	■		■	■
Console/Controls				
ClearTouch® Oven Controls	■	■	■	■
Touch Oven Controls				
Knobs with "Push-to-Turn" system	■	■	■	■
Metal Knobs	■		■	
Electronic Clock & Timers	■	■	■	■
Oven Control Lock-out				
Delayed Bake	■	■	■	■
Panel Lock				
Lower Drawer				
Warming Drawer	■		■	
Storage Drawer		■		■
Installation Requirements				
Dual Rated 208/240 V, 4-wire, 60 Hz	■	■	■	■
120 V, 3-wire, 60 Hz				
Amperage/Breaker	30	30	40	40
Natural/LP Gas Convertible	■	■		

Freestanding Range Technical Details

Model	700 Series	700 Series	500 Series DLX	500 Series
Fuel Type	Gas	Gas	Gas	Gas
Color				
Stainless Steel Pro	HGS7282UC			
Stainless Steel		HGS7052UC	HGS5L53UC	HGS5053UC
Black				
White				
Gas Cooktop Performance				
Left Rear	1,300–12,500 BTU	1,300–12,500 BTU	1,200–12,000 BTU	1,200–12,000 BTU
Left Front	1,200–9,100 BTU	1,200–9,100 BTU	850–9,500 BTU	850–9,500 BTU
Center			2,500–9,500 BTU	2,500–9,500 BTU
Right Rear	800–5,500 BTU	800–5,500 BTU	500–5,000 BTU	500–5,000 BTU
Right Front	1,300–16,000 BTU	1,300–16,000 BTU	1,800–17,000 BTU	1,800–17,000 BTU
Gas Cooktop Features				
OptiSim® (400 BTU)	Right Rear			
PowerSim® Burner	Right Front	Right Front		
Sealed Burners	■	■	■	■
Continuous Grates (Cast-Iron)	■	■	■	■
Electronic Ignition	■	■	■	■
PowerBoil™	■	■	■	■
Simmer Burner	■	■	■	■
Oval Burner			■	■
Electric Cooktop Element Size(s) and Performance				
Left Rear Size(s)/Performance				
Left Front Size(s)/Performance				
Center Size(s)/Performance				
Right Rear Size(s)/Performance				
Right Front Size(s)/Performance				
Electric Cooktop Features				
Smooth Surface (Ceramic Glass)				
Stainless Steel Cooktop Frame				
Hot Surface Indicator Light				
Electronic Cooktop On Indicator Lights				
Simmer Element				
Bridge Element (800 W)				
Oven Performance				
Broil	12,500 BTU	12,500 BTU	13,500 BTU	13,500 BTU
Bake	17,000 BTU	17,000 BTU	18,000 BTU	18,000 BTU
Third Element	400 W	400 W	—	—
Oven Features				
Capacity	5.1 cu ft	5.1 cu ft	5.0 cu ft	5.0 cu ft
Genuine European Convection	■	■	■	■
Convection				
Temperature Probe	■			
Convection Assisted Self-clean	■	■		
Self-Clean			■	■
Full-extension Rack	1			
Standard Racks	2	3	2	2
Rack Positions	6	6	5	5
Variable Broiling (Min/Max)	■	■	■	■
Oven Light	■	■	■	■
Wide View Oven Window				
Hidden Bake Element	■	■	■	■
Cooking Modes				
Bake	■	■	■	■
Broil	■	■	■	■
Automatic Convection Bake	■	■		
Convection Bake			■	■
Convection Broil				
Convection Roast	■	■		
Convection Conversion	■	■		
Dehydrate	■	■		
Keep Warm Oven Mode	■	■		
Star-K Certified	■	■		
Proof	■	■		
Console/Controls				
ClearTouch® Oven Controls	■	■		
Touch Oven Controls			■	■
Knobs with "Push-to-Turn" system	■	■	■	■
Silver Colored Knobs	■		■	
Electronic Clock & Timers	■	■	■	■
Oven Control Lock-out				
Delayed Bake	■	■	■	■
Panel Lock			■	■
Lower Drawer				
Warming Drawer	■	■		
Storage Drawer			■	■
Installation Requirements				
Dual Rated 208/240 V, 4-wire, 60 Hz	15	15	15	15
120 V, 3-wire, 60 Hz	■	■	■	■
Amperage/Breaker				
Natural/LP Gas Convertible	■	■	■	■ (Conversion Kit Available)

Freestanding Range Technical Details

Model	300 Series	700 Series	700 Series	700 Series	700 Series	500 Series DLX	500 Series	300 Series
Fuel Type	Gas	Dual-fuel	Dual-fuel	Electric	Electric	Electric	Electric	Electric
Color								
Stainless Steel Pro		HDS7282U		HES7282U				
Stainless Steel	HGS3053UC		HDS7052U		HES7052U	HES5L53U	HES5053U	HES3053U
Black	HGS3063UC							HES3063U
White	HGS3023UC							HES3023U
Gas Cooktop Performance								
Left Rear	1,200–12,000 BTU	1,300–12,500 BTU	1,300–12,500 BTU					
Left Front	850–9,500 BTU	1,200–9,100 BTU	1,200–9,100 BTU					
Center	850–9,500 BTU							
Right Rear	500–5,000 BTU	800–5,500 BTU	800–5,500 BTU					
Right Front	1,500–16,000 BTU	1,300–16,000 BTU	1,300–16,000 BTU					
Gas Cooktop Features								
OptiSim® (400 BTU)		Right Rear						
PowerSim® Burner		Right Front	Right Front					
Sealed Burners	■	■	■					
Continuous Grates (Cast-Iron)	■	■	■					
Electronic Ignition	■	■	■					
PowerBoil™	■	■	■					
Simmer Burner	■	■	■					
Oval Burner								
Electric Cooktop Element Size(s) and Performance								
Left Rear Size(s)/Performance				5", 7", 9"/2,500 W	7"/1,800 W	6"/1,200 W	6"/1,200 W	6"/1,200 W
Left Front Size(s)/Performance				6"/1,200 W	7"/1,800 W + 800 W Bridge	6", 9"/3,000 W	6", 9"/3,000 W	6", 9"/2,500 W
Center Size(s)/Performance						6"/100 W (warming zone)	6"/100 W (warming zone)	
Right Rear Size(s)/Performance				6"/1,200 W	6"/1,200 W	6"/1,200 W	6"/1,200 W	6"/1,200 W
Right Front Size(s)/Performance				9", 12"/2,700 W	5", 9"/2,500 W	9", 12"/3,000 W	9", 12"/2,700 W	6", 9"/3,000 W
Electric Cooktop Features								
Smooth Surface (Ceramic Glass)				■	■	■	■	■
Stainless Steel Cooktop Frame				■	■			
Hot Surface Indicator Light				4	4	1	1	1
Electronic Cooktop On Indicator Lights				4	4	5	5	4
Simmer Element						■	■	■
Bridge Element (800 W)					■			
Oven Performance								
Broil	13,500 BTU	3,600 W	3,600 W	3,600 W	3,600 W	3,600 W	3,600 W	3,600 W
Bake	18,000 BTU	2,000 W	2,000 W	2,000 W	2,000 W	3,500 W	3,500 W	3,500 W
Third Element	-	1,100 W	1,100 W	1,100 W	1,100 W	-		
Oven Features								
Capacity	5.0 cu ft	4.6 cu ft	4.6 cu ft	4.6 cu ft	4.6 cu ft	5.4 cu ft	5.4 cu ft	5.4 cu ft
Genuine European Convection		■	■	■	■	■	■	
Convection		■	■	■	■	■	■	
Temperature Probe		■	■	■	■			
Convection Assisted Self-clean		■	■	■	■	■	■	
Self-Clean	■							■
Full-extension Rack		1		1				
Standard Racks	2	2	3	2	3	2	2	2
Rack Positions	5	6	6	6	6	5	5	5
Variable Broiling (Min/Max)	■	■	■	■	■	■	■	■
Oven Light	■	■	■	■	■	■	■	■
Wide View Oven Window	■	■	■	■	■	■	■	■
Hidden Bake Element	■	■	■	■	■	■	■	■
Cooking Modes								
Bake	■	■	■	■	■	■	■	■
Broil	■	■	■	■	■	■	■	■
Automatic Convection Bake		■	■	■	■			
Convection Bake		■	■	■	■	■	■	
Convection Broil		■	■	■	■			
Convection Roast		■	■	■	■			
Convection Conversion		■	■	■	■			
Dehydrate		■	■	■	■			
Keep Warm Oven Mode		■	■	■	■			
Star-K Certified		■	■	■	■			
Proof		■	■	■	■			
Console/Controls								
ClearTouch® Oven Controls		■	■	■	■			
Touch Oven Controls	■					■	■	■
Knobs with "Push-to-Turn" system	■	■	■	■	■	■	■	■
Silver Colored Knobs		■	■	■	■	■	■	■
Electronic Clock & Timers	■	■	■	■	■	■	■	■
Oven Control Lock out	■	■	■	■	■	■	■	■
Delayed Bake	■	■	■	■	■	■	■	■
Panel Lock	■					■	■	■
Lower Drawer								
Warming Drawer		■	■	■	■			
Storage Drawer	■					■	■	■
Installation Requirements								
Dual Rated 208/240 V, 4-wire, 60 Hz	15	30	30	■	■	■	■	■
120 V, 3-wire, 60 Hz	■	■	■					
Amperage/Breaker				40	40	40	40	40
Natural/LP Gas Convertible	■ (Conversion kit available)	■	■					

Refrigeration Technical Details

Series	800 Plus	800 Plus	800	800	500	300
Color						
Stainless Steel	B36BT830NS	B30BB830SS	B26FT70SNS	B22CS80SNS	B22CS50SNS	B22CS30SNS
White					B22CS50SNW	
Model						
Bottom Freezer		■				
French Door	■		■			
Side-by-Side				■	■	■
Type						
Built-in	■	■				
Freestanding			■	■	■	■
Appearance						
Standard Depth			■			
Counter Depth				■	■	■
Built-In—Flush or Framed	■	■				
Color-matched Sides				■	■	■
Long, Tall Door	■	■		■	■	■
Hidden Hinges	■	■	■	■	■	■
Performance						
Dual Evaporator	■	■		■	■	■
Multi-flow Shower Cooling System	■	■	■	■	■	■
Temperature Controlled Drawer	■	■				
FreshProtect™ Box				■	■	
VitaFresh® Food Preservation Drawers			■			
SuperCool™/SuperFreeze™	■	■	■	■	■	■
QuickIce			■	■	■	
Air Filter	■	■		■	■	
Water Filter	■	■	■	■	■	■
Controls	Interior, Electronic	Interior, Electronic	Exterior SteelTouch™	Exterior Touch Controls	Exterior Touch Controls	Exterior Touch Controls
Display Screen	Interior, LCD	Interior, LCD	Exterior, LED	Exterior, LCD	Exterior, LCD	Exterior, LED
Convenience						
Frameless Exterior Ice Water Dispenser			■	■	■	■
Icemaker	■	■	■	■	■	■
Cubed Ice	■	■	■	■	■	■
Crushed Ice			■	■	■	■
Gallon Door Storage Bins	■	■	■	■	■	■
Frameless Glass Shelves	■	■				
Spill-proof Glass Shelves			■	■	■	■
Adjustable Split Glass Shelving			■			
Full-length Cantilever Racks	■	■				
Full-extension Refrigerator Drawers	■	■		■	■	■
Full-extension Freezer Drawers	■	■	■	■	■	■
EasyLift™ Shelf				2	1	
EasyLift™ Door Bin				1		
CoolPaks				■	■	
Deli Drawer	■	■	■	■	■	■
Can Rack				■	■	
Wine Rack				■	■	
Tilt-out Door Bins in Freezer				■	■	■
Lighting						
Lighting Type	All-LED Sidewall and Theater Lighting	All-LED Sidewall and Theater Lighting	All-level LED	CoolGlow™ LED	Standard 2x40 W	Standard 2x25 W
Safety						
Door Open Alarm	■	■	■	■	■	■
Ice and Water Dispenser Lock			■	■	■	■
Efficiency						
ENERGY STAR® Qualified	■	■	■	■	■	■
Economy Mode	■	■		■	■	
Vacation Mode	■	■		■	■	
Sabbath Mode	■	■		■	■	
Capacity						
Refrigerator cu ft	13.8	11.2	16.9	13.3	13.3	13.7
Freezer cu ft	5.7	4.8	9.0	8.4	8.4	8.4
Total cu ft	19.5	16.0	25.9	21.7	21.7	22.1

Compact Washer Technical Details

Series	Axxis® Plus Washer	Axxis® Washer	Axxis® One Washer
Color			
White	WAS24460UC	WAS20160UC	WAE20060UC
Core Features			
Capacity DOE(cu ft)	2.16 cu ft	2.16 cu ft	1.9 cu ft
Spin Speed	1,200 rpm	1,000 rpm	1,000 rpm
Number of Wash Cycles	15	15	15
Number of Wash Options	8	6	3
Efficiency			
ENERGY STAR® Qualified	■	■	■
Energy Use	145 kWh/y	140 kWh/y	125 kWh/y
Modified Energy Factor (MEF)	2.12	2.05	2.05
Water Factor (WF)	4.8	4.8	5.1
Annual Water Consumption	4,064	4,064	3,944
Design Elements			
Display	Large LED Display	LED Indicators	LED Indicators
Cabinet	White	White	White
Door	Silver	Silver	White
Drum	Stainless Steel, Structured Drum	Stainless Steel, Structured Drum	Stainless Steel
Cycles			
Cotton	■		
Regular/Cotton (Cold, Warm, Hot)		■	■
Permanent press	■		
Permanent press (Cold, Warm, Hot)		■	■
Delicates	■	■	■
Hand wash	■	■	■
Dark Colors	■		
Drain	■	■	■
KidsCare™	■	■	■
Quick Wash	■		
Refresh	■	■	■
Sanitary™	■	■	■
Silk/Satin	■		
Soak	■	■	
Spin	■	■	■
Sports Wear	■		
Wool	■		
Options			
Delay Start	■		
Heavy Duty	■	■	
Reduced Ironing	■	■	
Rinse Plus	■	■	■
Signal	■	■	
Spin Speed Selection	■	■	
Temperature Selection	■		
Start/Pause	■	■	■
Quick Wash			■
Advanced Features			
AntiVibration™ Sidewalls	■	■	
3D Sensor	■	■	
Control Types	Touch Control	Touch Control	Electronic
Raindrop Structured Drum	■	■	
Internal Water Heater	■	■	■
Self-cleaning detergent drawer	■	■	■
SensoTronic® Plus		■	■
SensoTronic® II Plus	■		
Dimensions			
Height	33 3/16"	33 3/16"	34 1/8"
Width	23 1/16"	23 1/16"	23 1/2"
Depth	24 1/2"	24 1/2"	23 1/4"
Packaging HxWxD	34 3/4" x 25 1/2" x 26 3/4"	34 3/4" x 25 1/4" x 26 3/4"	35 7/16" x 26" x 25 1/16"
Minimum Staking Height	68 1/32"	68 1/32"	68 5/8"
Leveling Legs/Height Adjustment Range	Yes, 1/2"	Yes, 1/2"	Yes, 3/4"
Weight	168 lb	165 lb	146 lb
Shipping Weight	171 lb	165 lb	154 lb
Door Opening (Angle)	165°	165°	180°
Technical Information			
Supply Voltage	208/240 V	208/240 V	208/240 V
Frequency	60 Hz	60 Hz	60 Hz
Amperage	12 A	12 A	15 A
Required Installation Amperage	30 A	30 A	30 A
Heating	1,350 W	1,350 W	1,350 W
Plug Included	240V 3-prong	240V 3-prong	240V 3-prong
Plug into Dryer	■	■	■

Compact Dryer Technical Details

Series	Axxis® Condensation Dryer	Axxis® Vented Dryer	Axxis® One Condensation Dryer
Color			
White	WTE86300US	WTV76100US	WTC82100US
Core Features			
Capacity (cu ft)	3.9 cu ft	3.9 cu ft	3.9 cu ft
Silence Rating	67 dBA	67 dBA	66 dBA
Number of Drying Cycles	11	9	9
Number of Drying Options	4	2	3
Design Elements			
Display	Large LED Display	LED Indicators	LED
Cabinet	White	White	White
Door	Silver	Silver	White
See-thru Door	■	■	■
Drum	One Piece Stainless Steel, Structured Drum	One Piece Stainless Steel, Structured Drum	Galvalume
Cycles			
Regular/Cotton (Extra Dry, Very Dry, Regular Dry, Damp Dry)	■	■	■
Permanent press (Very Dry, Regular Dry, Damp Dry)	■	■	■
Short Program	■	■	■
Timed Program	Warm 40 min	Warm 40 min	Warm 20, 40, 60 min
Touch Up	■	■	■
Wools	■	■	■
Options			
Delicates/Low Heat	■	■	■
Easy Ironing	■	■	■
Delay Start-up to 24 hrs	■	■	■
Start/Pause	■	■	■
Advanced Features			
Control Types	Touch Control	Touch Control	Electronic
Unique Structured Drum	■	■	■
WrinkleBlock®	Up to 120 min	Up to 60 min	Up to 30 min
Fully Electronic Moisture Sensor	■	■	■
Interior Light	■	■	■
Lint Filter Indicator	■	■	■
Dimensions			
Height	33 3/16"	33 3/16"	33 3/16"
Width	23 3/16"	23 3/16"	23 5/8"
Depth	24 5/8"	24 5/8"	25"
Packaging HxWxD	34 1/4"x 24 3/4"x 26 3/4"	34 1/4"x 24 3/4"x 27 1/2"	34 1/4"x 24 7/8"x 26 3/4"
Minimum Staking Height	68 1/32"	68 1/32"	68 3/8"
Leveling Legs/Height Adjustment Range	Yes, 3/8"	Yes, 3/8"	Yes, 3/8"
Weight	99 lb	94 lb	99 lb
Shipping Weight	101 lb	97 lb	101 lb
Door Opening (Angle)	160°	160°	150°
Technical Information			
Supply Voltage	208/240 V	208/240 V	208/240 V
Frequency	60 Hz	60 Hz	60 Hz
Amperage	13 A	13 A	10 A
Required Installation Amperage	30 A	30 A	30 A
Required Air-Flow—Intake	118 CFM (200 m³/h)	110 CFM (187 m³/h)	118 CFM (200 m³/h)
Plug Included	240V 4-prong	240V 4-prong	240V 4-prong
Type	Electronic	Electronic	Electronic
Venting	Condensing—No Venting Required	Rear & Left (No Vent Kit Required)	Condensing—No Venting Required
Drain Line, Including Drain Pump	Yes, Drain Line Along w/Washer	■	Yes

Service you can trust 100%.

The Bosch Customer Support Team is ready to help. Please don't hesitate to contact us if you have questions on our product line, need advice about use and care, or would like to purchase parts and accessories. We are ready to assist you.

Website:

- How-to Videos
- Frequently Asked Questions
- Filters, Accessories and Parts
- Owner Manuals
- Product Registration
- Find a Dealer
- Find a Bosch Authorized Servicer

Phone:

- 24-Hour Call Center Access
- English, French, Spanish

1-800-944-2904

Warranty:

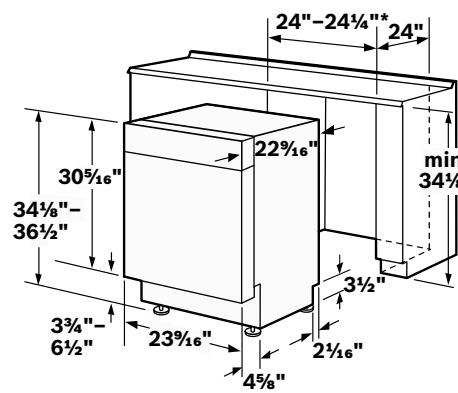
- Lifetime Stainless Steel Rust-through Warranty for Dishwashers and Refrigerators
- Good Housekeeping Two-year Limited Warranty for all Bosch Appliances
- One-year Limited Warranty on all Bosch Appliances

Bosch Home Appliances US:
www.bosch-home.com/us

Bosch Home Appliances Canada:
www.bosch-home.ca

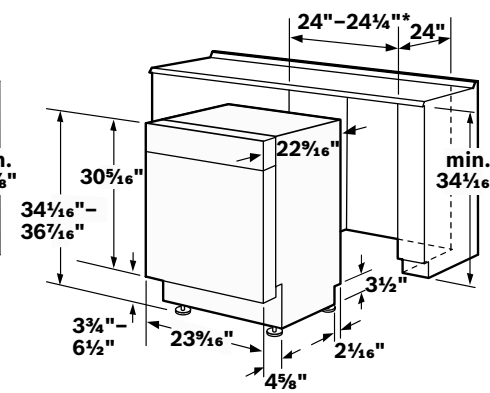
Dishwasher Dimensions and Installation

Recessed Handle Dishwashers



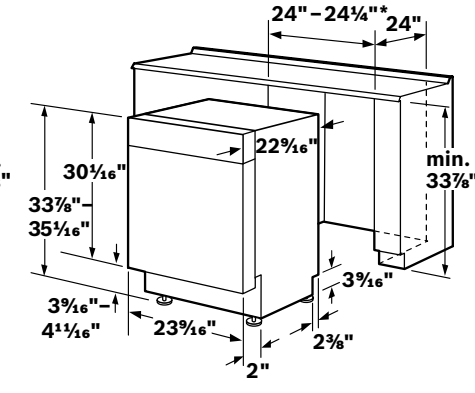
*23 3/8" without decor strips

SHE9ER55UC



*23 3/8" without decor strips

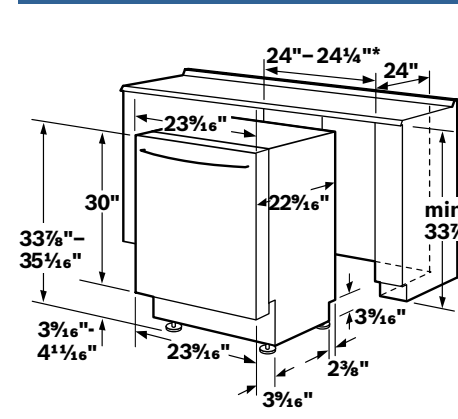
**SHE7ER55UC
SHE8ER55UC**



*23 3/8" without decor strips

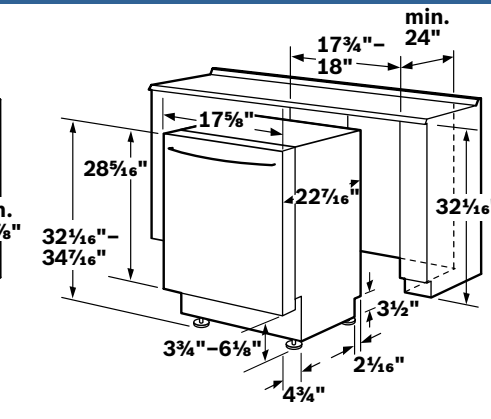
**SHE55M1_UC SHE68R5_UC
SHE55R5_UC**

Bar Handle Dishwashers

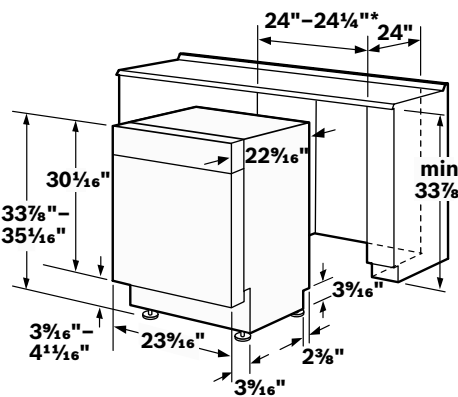


*23 3/8" without decor strips

**SHX3AR5_UC SHX33RL5UC
SHX3AR7_UC SHX43R5_UC**

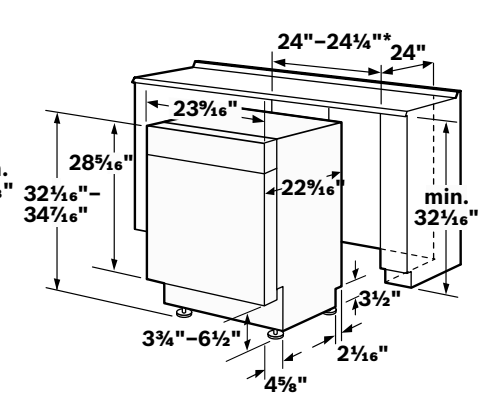


SPX5ES55UC



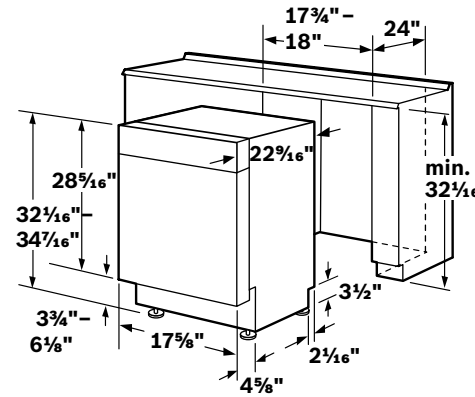
*23 3/8" without decor strips

**SHE3AR5_UC SHE43R5_UC
SHE3AR7_UC SHE43RL_UC
SHE3ARL_UC SHE43P2_UC**



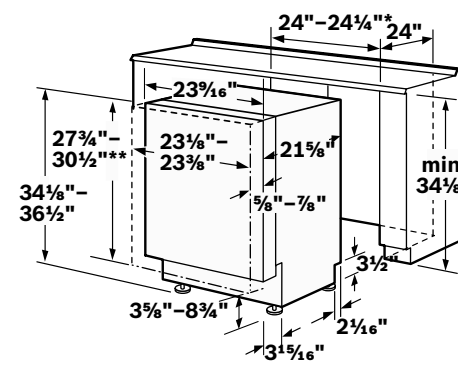
*23 3/8" without decor strips

**SGE63E06UC
SGE63E15UC**



SPE5ES55UC

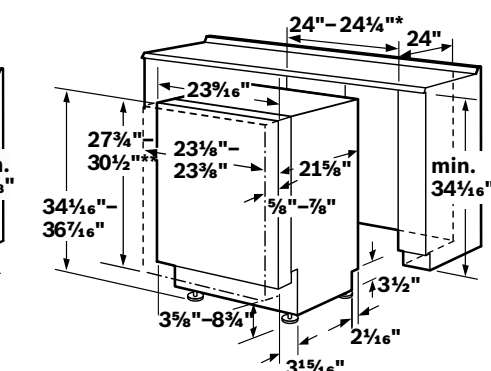
Custom Panel Dishwashers



*23 3/8" without decor strips

** Measured from the lower edge of the worktop.
Recommended panel thickness 3/4".
Panel weight 9-18 lbs.

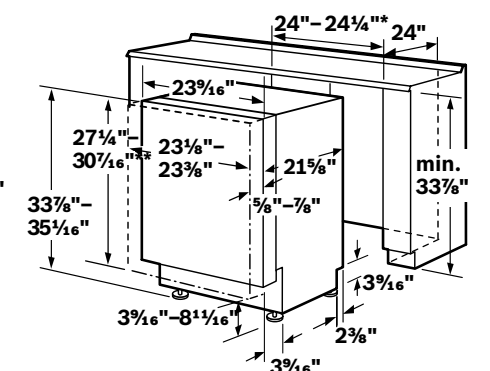
SHV9ER53UC



*23 3/8" without decor strips

** Measured from the lower edge of the worktop.
Recommended panel thickness 3/4".
Panel weight 9-18 lbs.

SHV7ER53UC

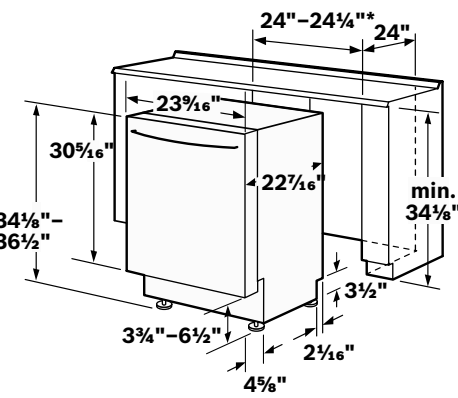


*23 3/8" without decor strips

** Measured from the lower edge of the worktop.
Recommended panel thickness 3/4".
Panel weight 9-18 lbs.

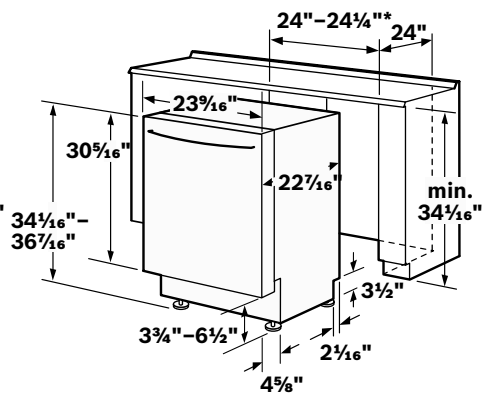
**SHV43R53UC SHV68R53UC
SHV55R53UC**

Bar Handle Dishwashers



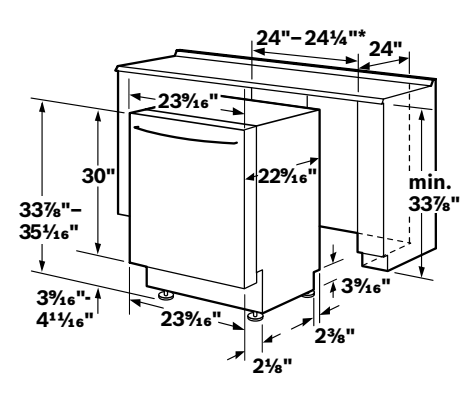
*23 3/8" without decor strips

SHX9ER55UC



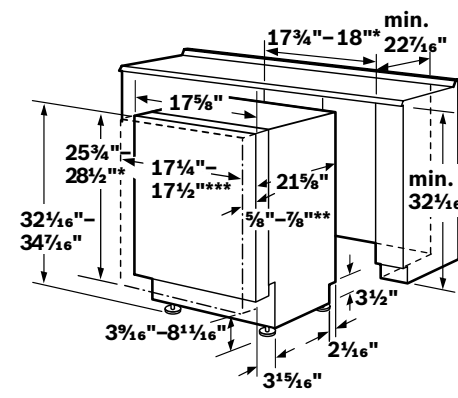
*23 3/8" without decor strips

**SHX7ER55UC
SHX8ER55UC**



*23 3/8" without decor strips

**SHX55R5_UC SHX68R5_UC
SHX55RL5UC**



* Measured from the bottom

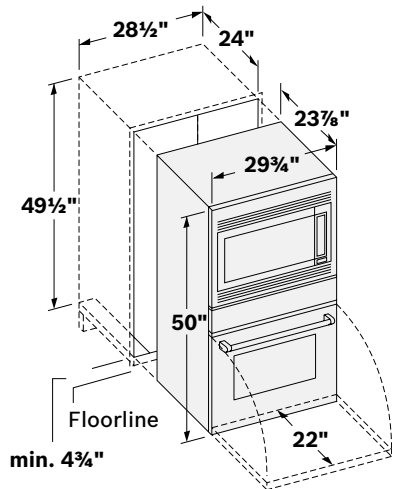
** Panel weight 6-16 lbs.
*** 18" wide panel may be used depending on cabinet design

SPV5ES53UC

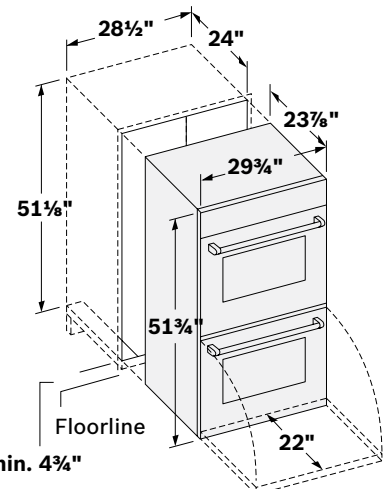
Note: Dimensions are for planning only. For details, see installation manual, or visit www.bosch-home.com/us. Specifications subject to change without notice. For immediate installation dimensions by fax, call 1.925.284.3558. Use code #8317 for a directory of Bosch products. Also available online at dexpress.com.

Oven, Microwave and Warming Drawer Dimensions and Installation

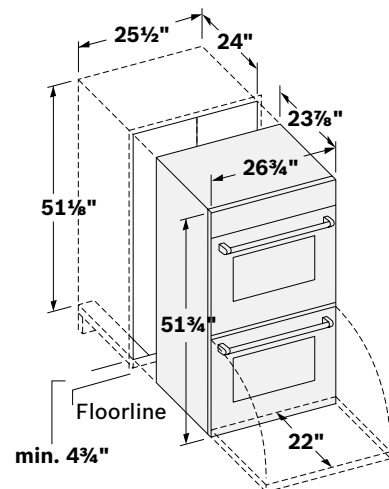
Ovens



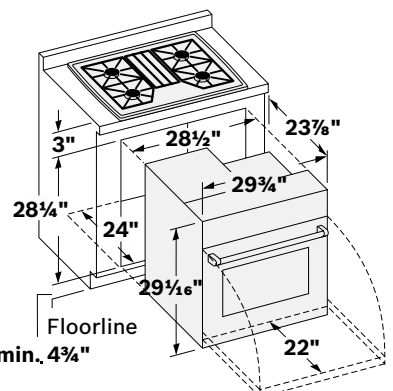
30" Combination Models



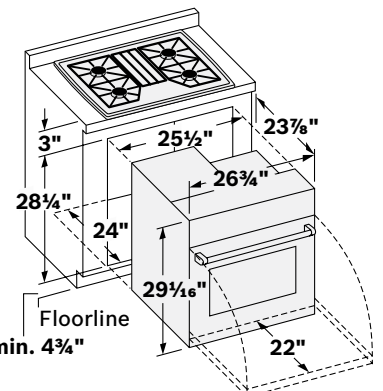
30" Double Models



27" Double Models

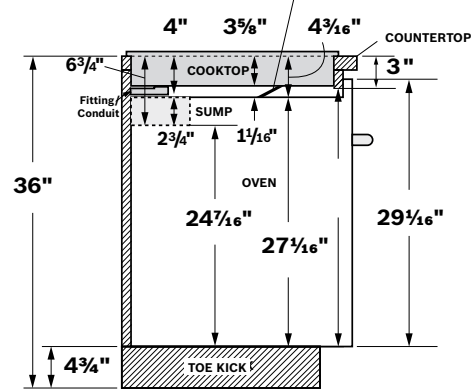


30" Single Models



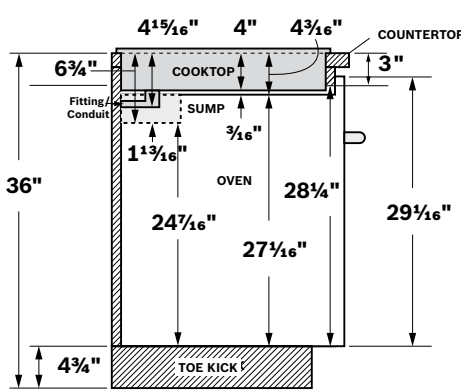
27" Single Models

Heat shield: Self positioning - 2 3/8" length, Minimum required air clearance: 1"



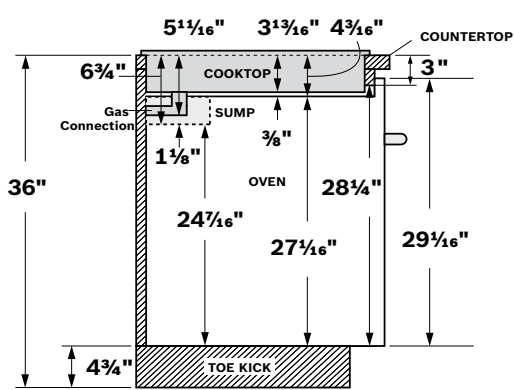
30" Single Models, Under Induction Cooktop

The built-in oven can be installed below the induction cooktop as long as there is an air clearance of 1" between the bottom of the cooktop and the top of the oven.



30" Single Models, Under Electric Cooktop

The built-in oven can be installed below the electric cooktop as long as there is no contact between the bottom of the cooktop and the top of the oven.



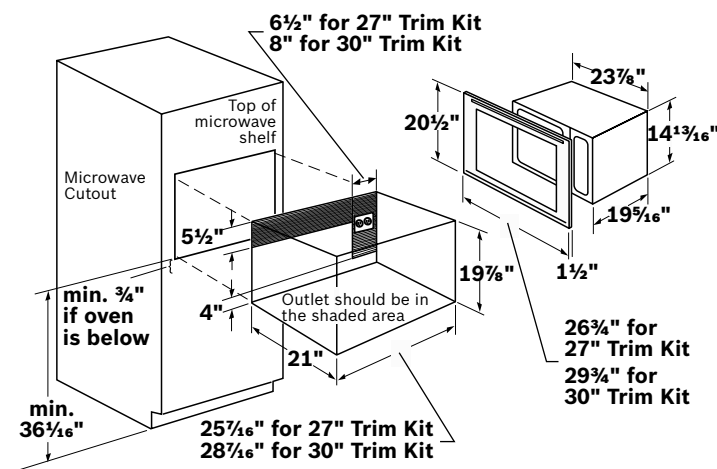
30" Single Models, Under Gas Cooktop

The built-in oven can be installed below the gas cooktop as long as there is no contact between the bottom of the cooktop and the top of the oven.

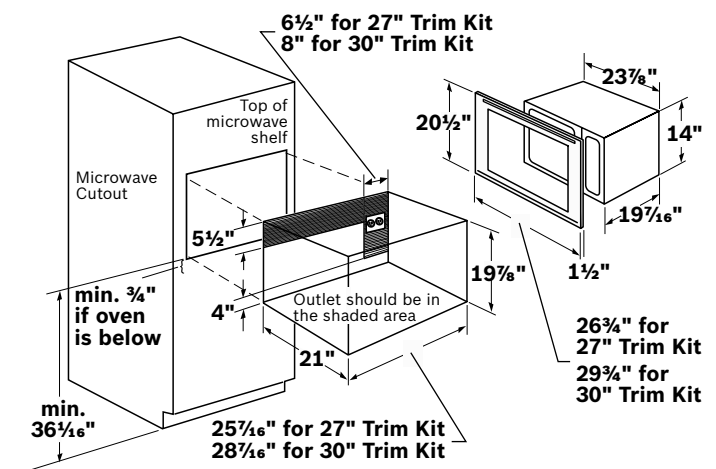
Note: Dimensions based on standard countertop height (36 3/4" with 4" toe-kick, including base plate).

Note: Dimensions are for planning only. For details, see installation manual, or visit www.bosch-home.com/us. Specifications subject to change without notice. For immediate installation dimensions by fax, call 1.925.284.3558. Use code #8317 for a directory of Bosch products. Also available online at dexpress.com.

Built-in Microwaves

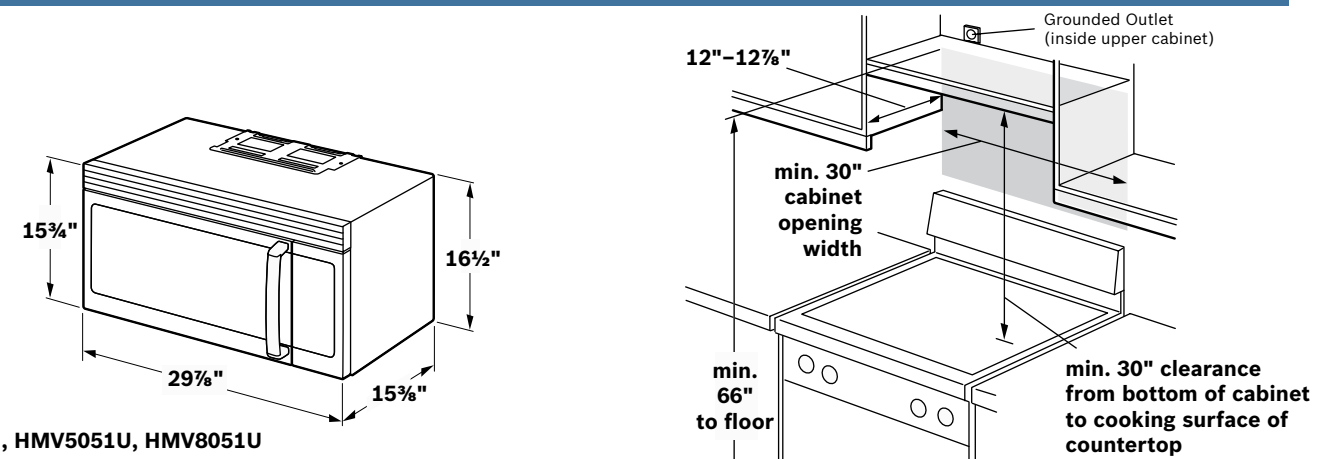


HMB80x0



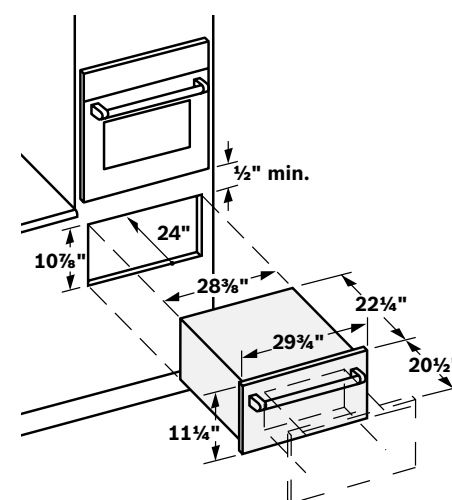
HMB50x0

Over-the-Range Microwaves

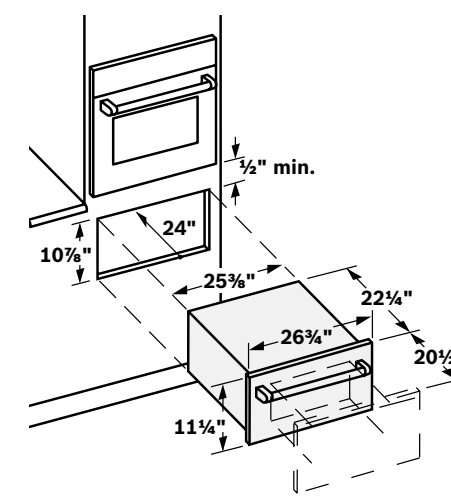


HMV30x1U, HMV5051U, HMV8051U

Warming Drawers



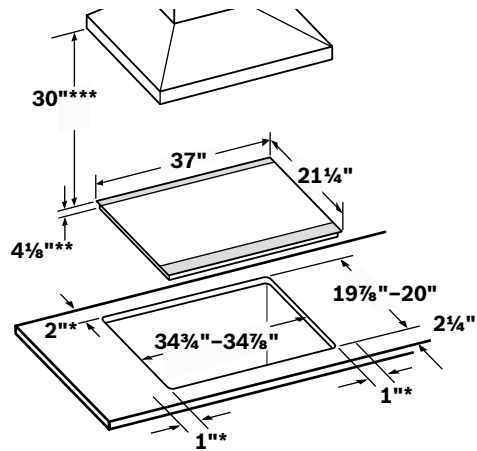
HWD30x0UC



HWD2750UC

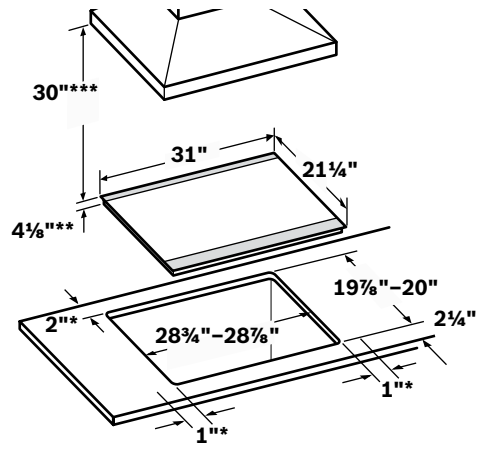
Cooktop Dimensions and Installation

Induction Cooktops



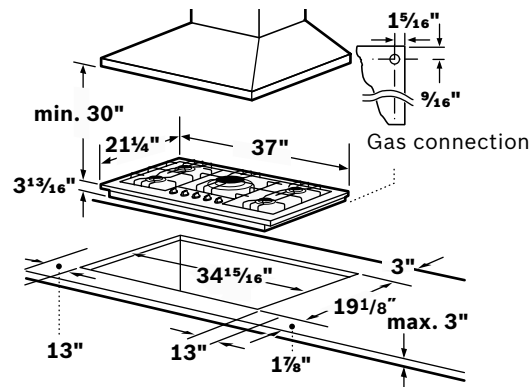
36" Models

* Minimum distance from the cooktop cutout to the wall
 ** Installed depth includes 1" of air clearance
 *** Minimum distance between surface of the cooktop and lower edge of the exhaust hood

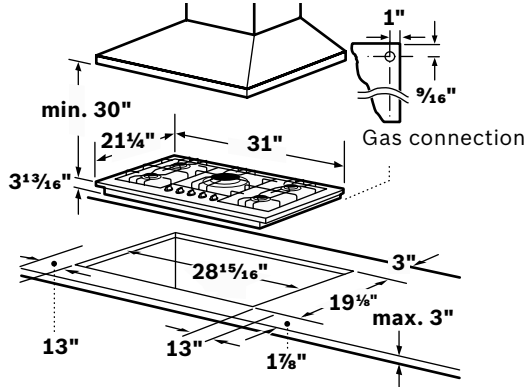


30" Models

Gas Cooktops

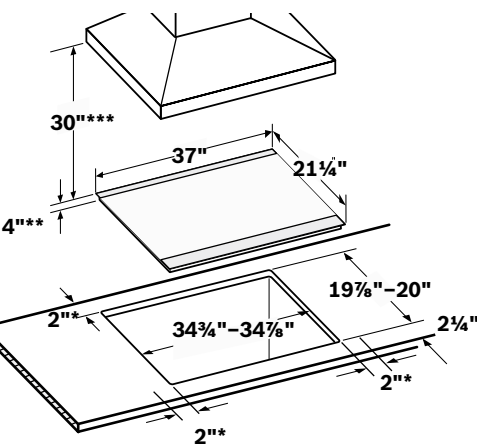


36" Models



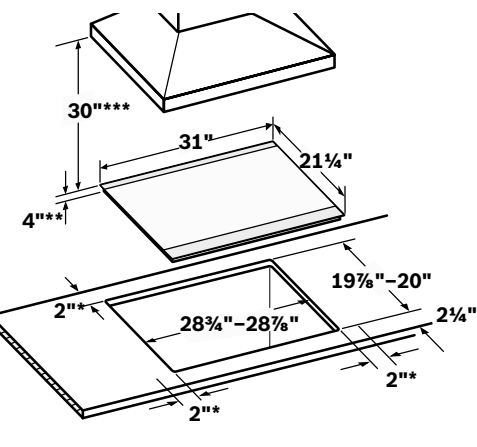
30" Series Models

Electric Cooktops



36" Models

* Minimum distance from the cooktop cutout to the wall
 ** Maximum cutout depth
 *** Minimum distance between surface of the cooktop and lower edge of the exhaust hood

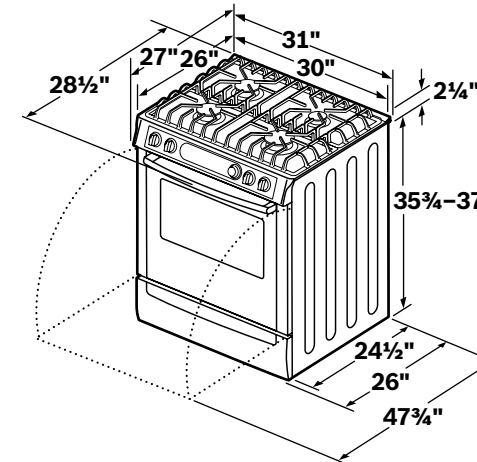


30" Series Models

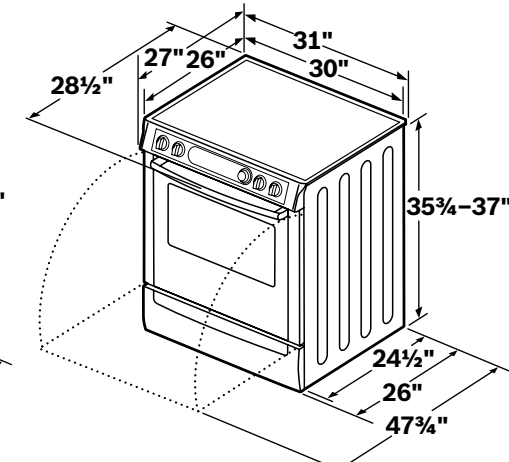
Note: Dimensions are for planning only. For details, see installation manual, or visit www.bosch-home.com/us. Specifications subject to change without notice. For immediate installation dimensions by fax, call 1.925.284.3558. Use code #8317 for a directory of Bosch products. Also available online at dexpress.com.

Range Dimensions and Installation

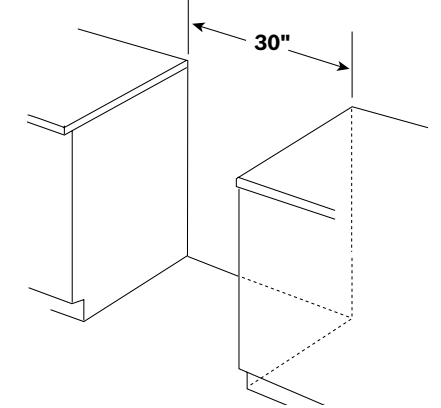
Slide-in Ranges



700 Series Dual-fuel Models

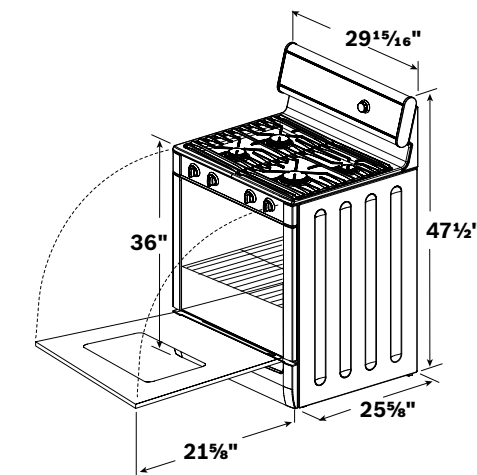


700 Series Electric Models

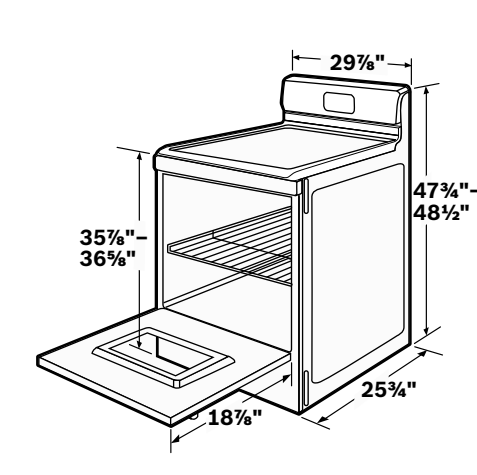


NOTE: Back filler strips not provided for installation in standard range cut-out.

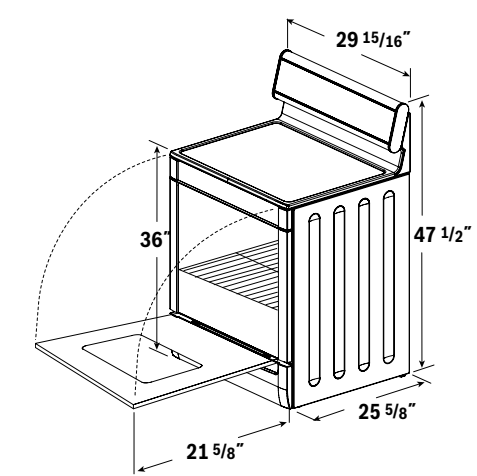
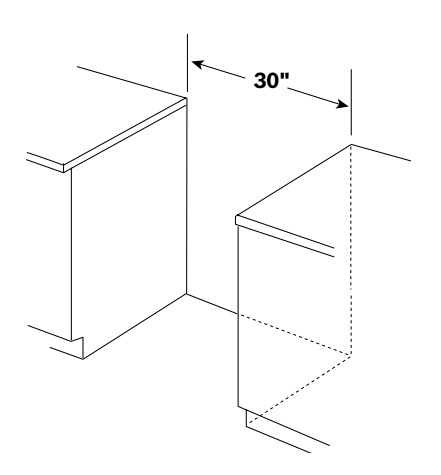
Freestanding Ranges



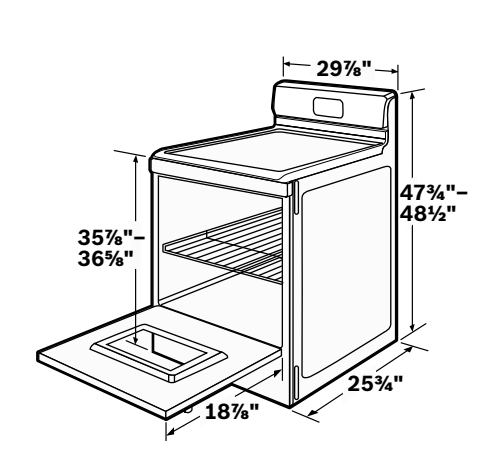
700 Series Gas/Dual-fuel Models



500 and 300 Series Gas Models



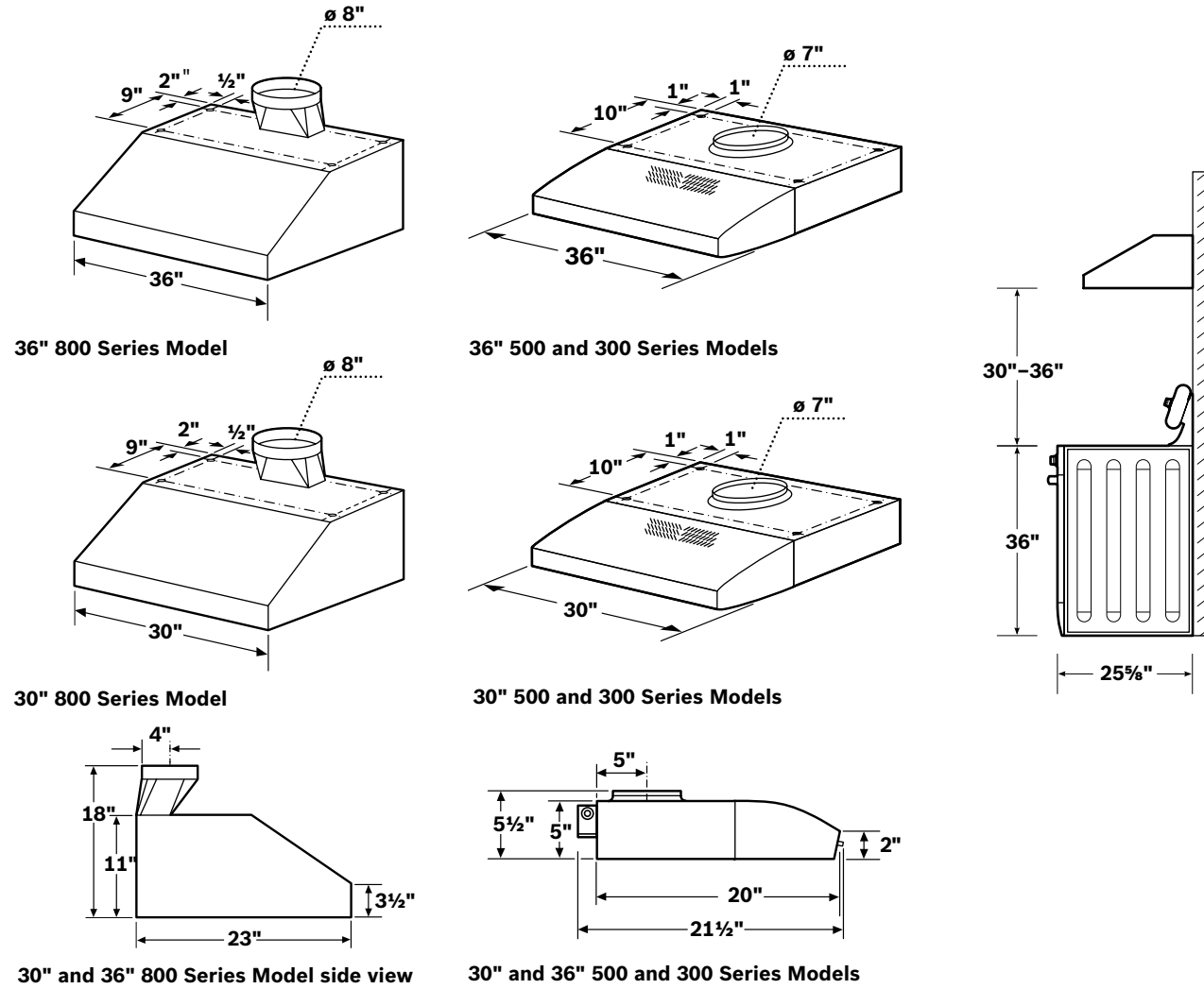
700 Series Electric Models



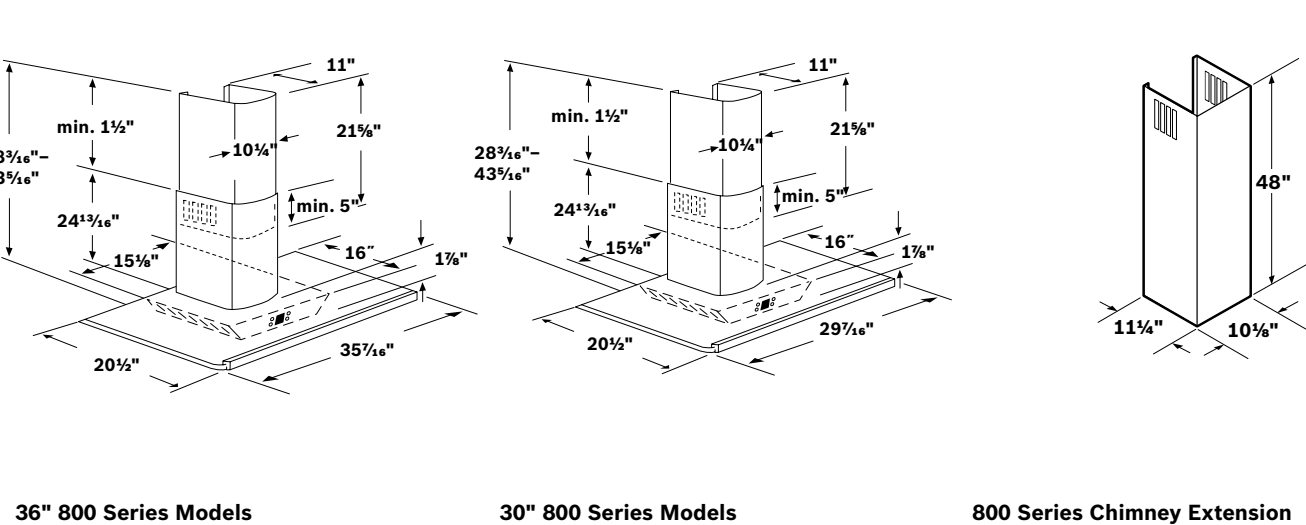
500 and 300 Series Electric Models

Ventilation Dimensions and Installation

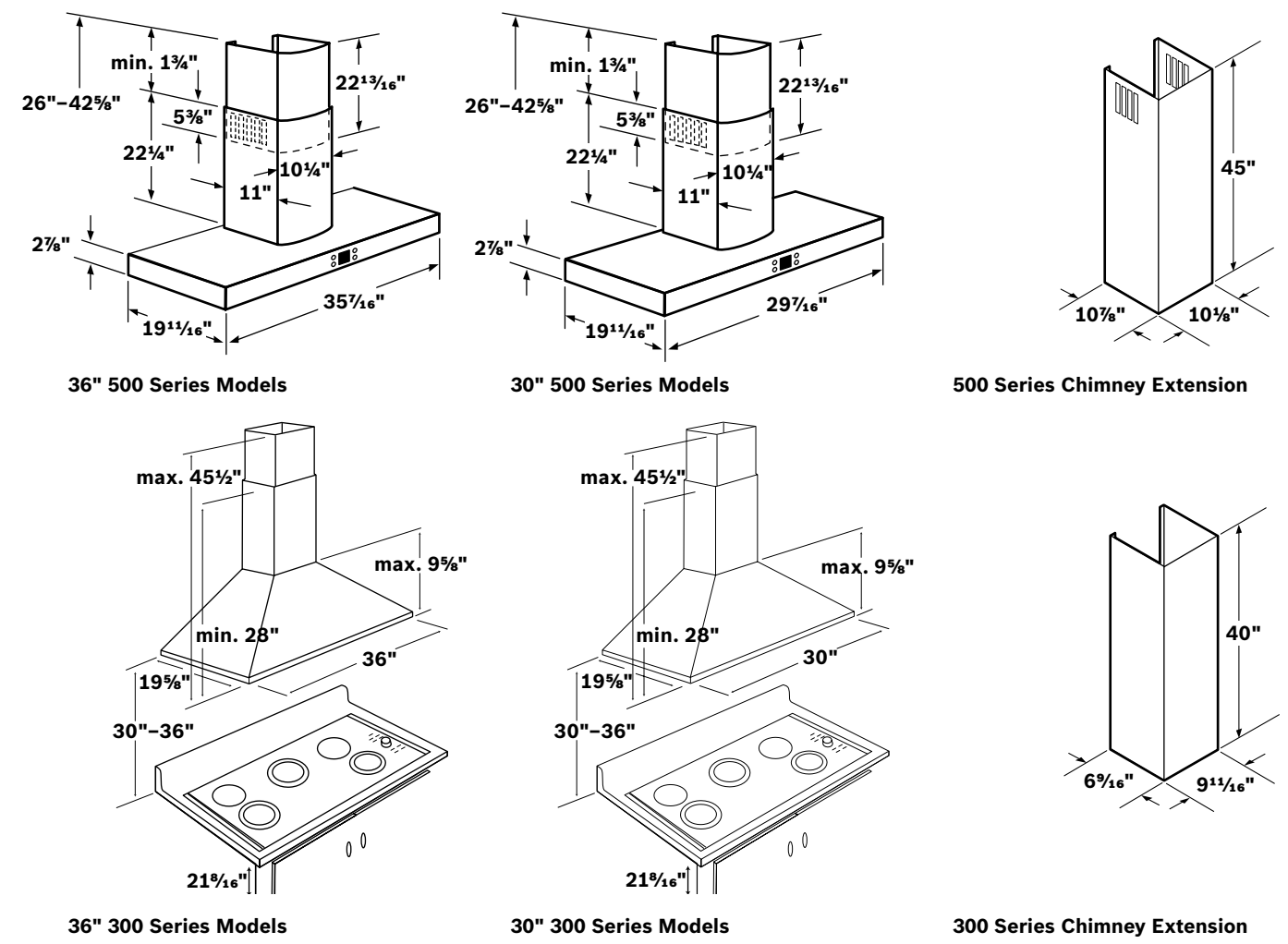
Under-Cabinet Wall Hoods



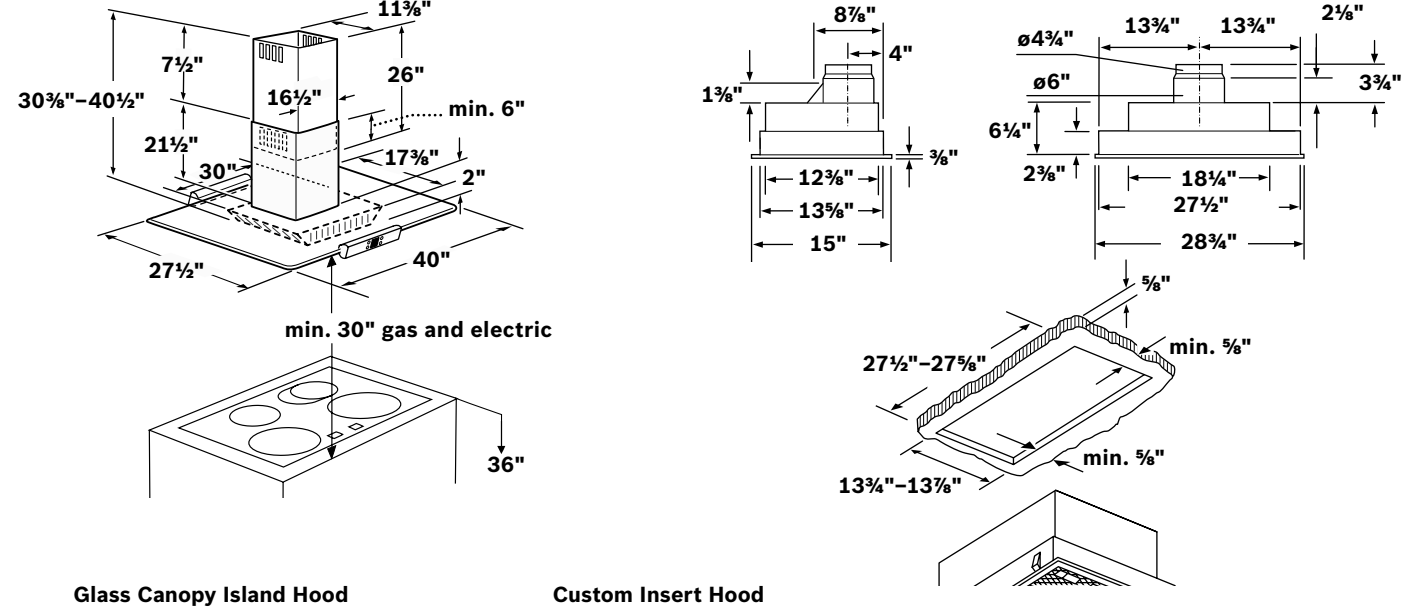
Canopy Wall Hoods



Canopy Wall Hoods



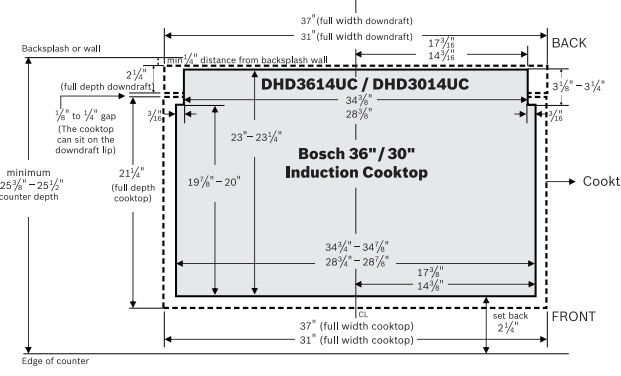
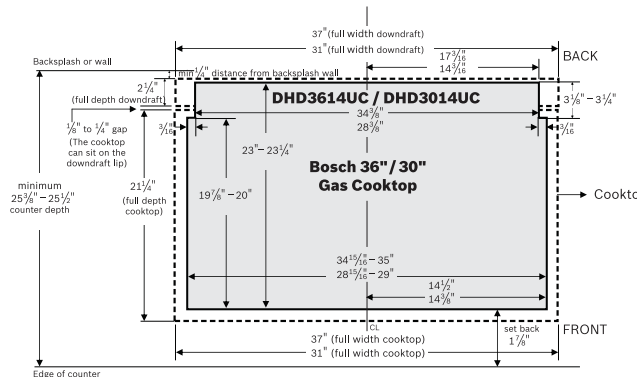
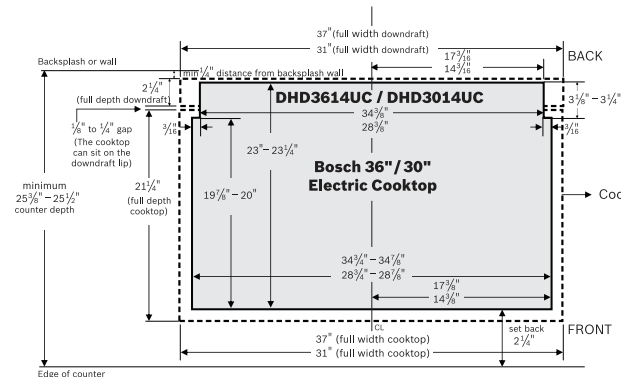
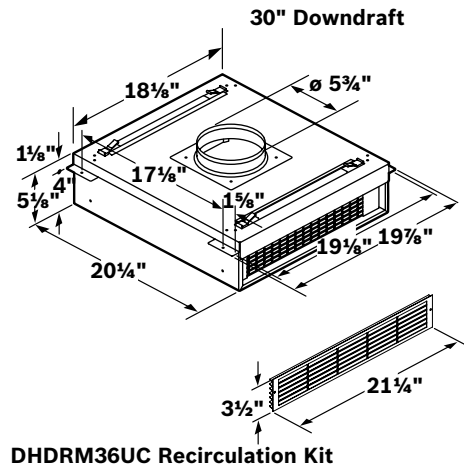
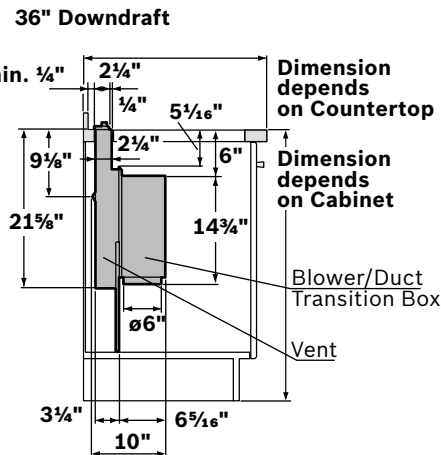
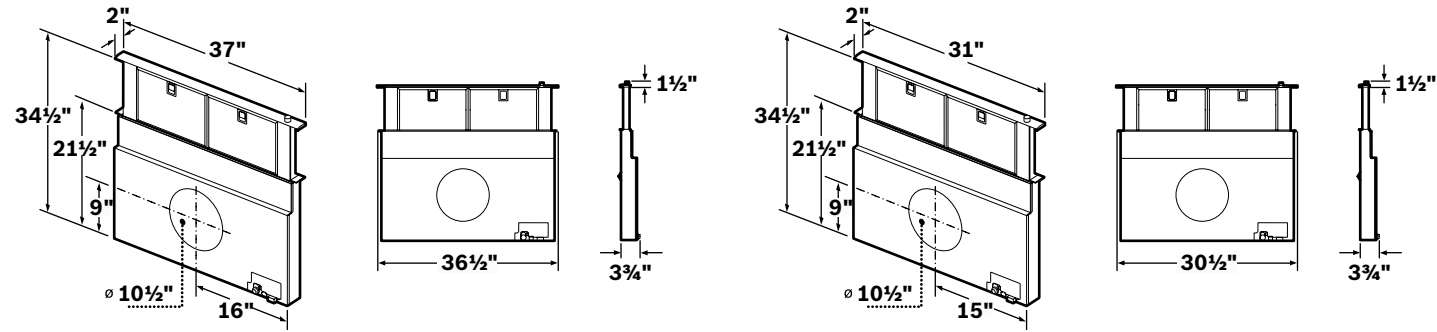
Island and Custom Insert Hoods



Note: Dimensions are for planning only. For details, see installation manual, or visit www.bosch-home.com/us. Specifications subject to change without notice. For immediate installation dimensions by fax, call 1.925.284.3558. Use code #8317 for a directory of Bosch products. Also available online at dexpress.com.

Ventilation Dimensions and Installation

Downdraft

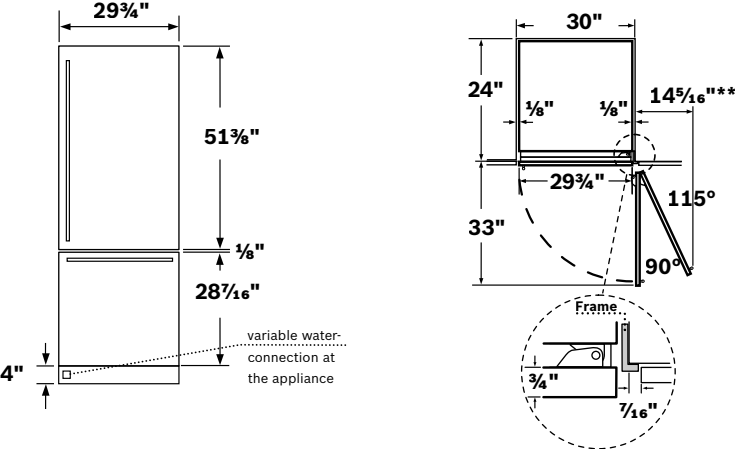
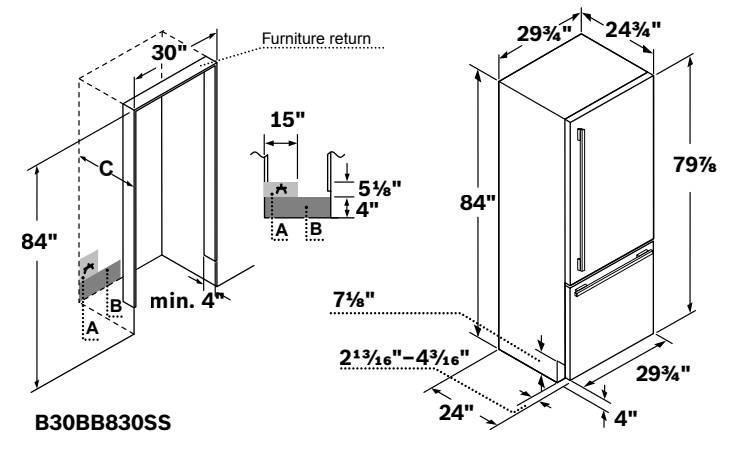
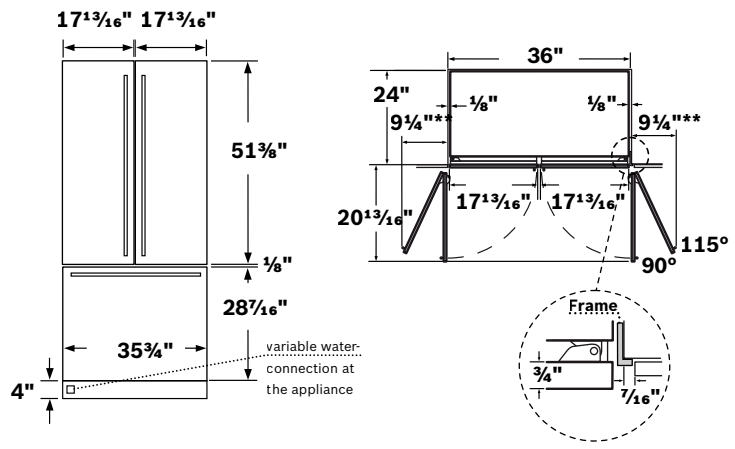
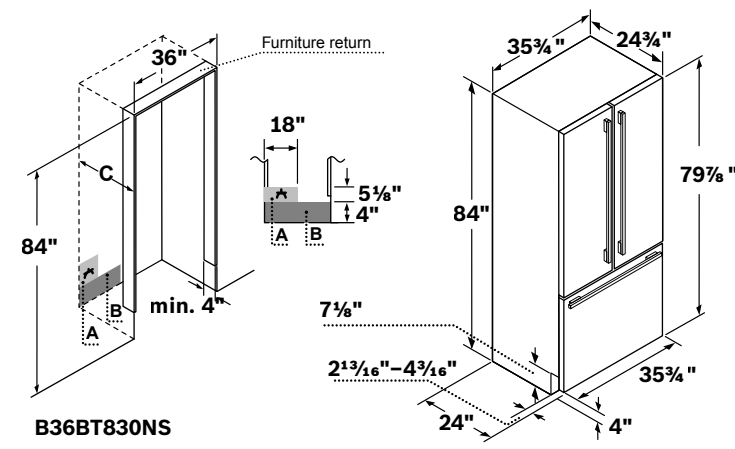


Note: All dimensions are for current Bosch products. For detailed electrical and gas hookups, please refer to cooktop installation instruction.

Note: Dimensions are for planning only. For details, see installation manual, or visit www.bosch-home.com/us. Specifications subject to change without notice. For immediate installation dimensions by fax, call 1.925.284.3558. Use code #8317 for a directory of Bosch products. Also available online at dexpress.com.

Refrigeration Dimensions and Installation

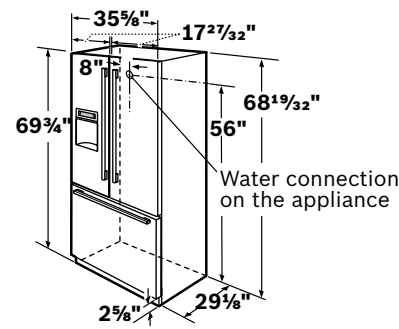
Built-in Refrigerators



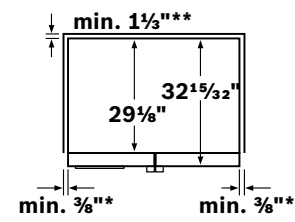
A: Area for installation of power connection.
B: Area for running the water line. It is recommended that the waterbox is placed adjacent to the installation cavity, so that it can be accessed for service without uninstalling the appliance. If this is not possible, place the recessed waterbox adjacent to the water supply socket elevated at the heights as referenced in areas A and B.
C: Niche depth depends on kitchen design.

Refrigeration Dimensions and Installation

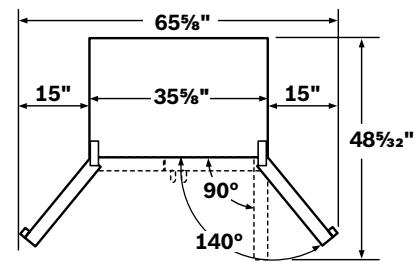
Standard-depth French Door Refrigerators



B26FT70SNS

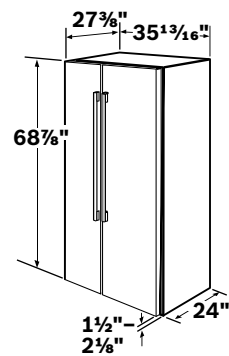


* If the appliance is placed next to a range, the lateral distance must be at least min. 1".
 ** The clearance in the back must include the space of the water connection.

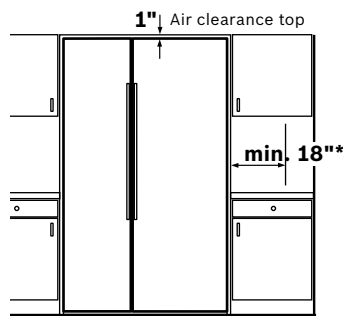


Drawers can be pulled out with door open 90°. Drawers can be taken out with door completely opened.

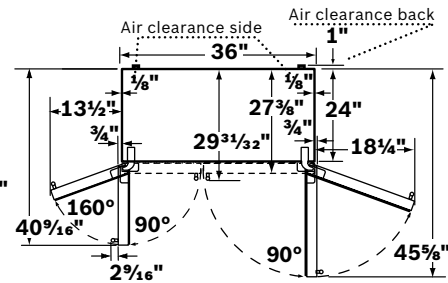
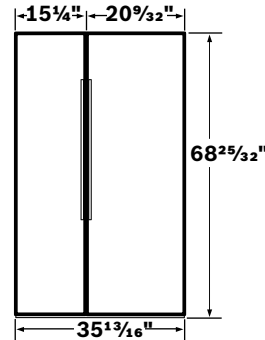
Counter-depth Side-by-side Refrigerators



B22CSx0SNx

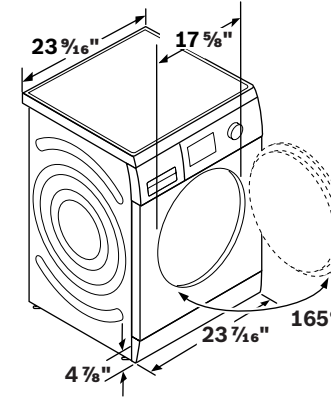


* Minimum fixed wall position

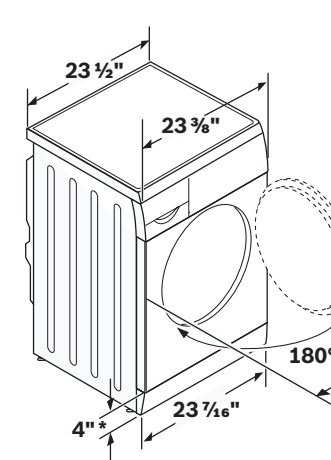
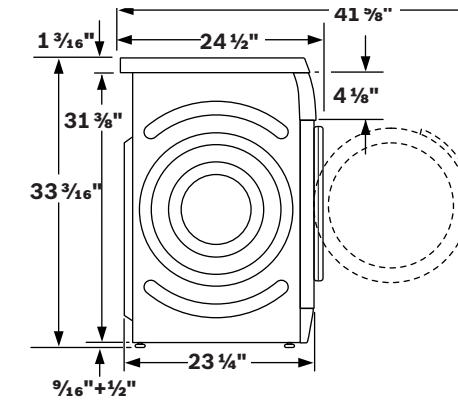


Laundry Dimensions and Installation

Compact Washers



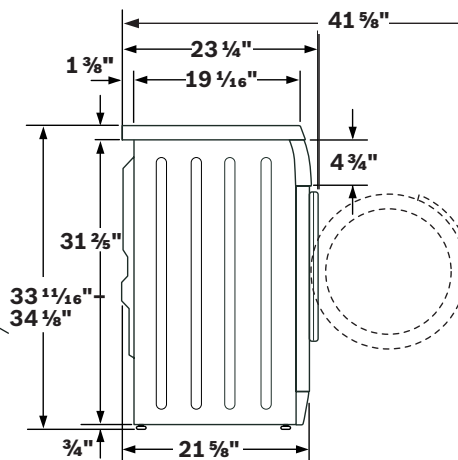
WAS Washers¹



¹From the ground, 4 1/16"

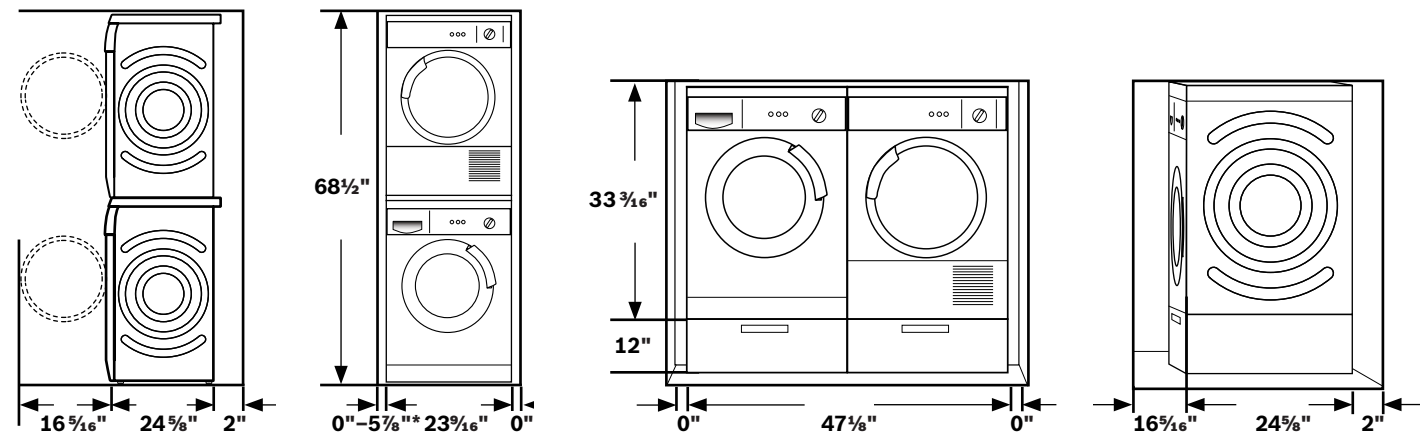
WAE Washer¹

¹Minimum stacking height 68 1/2"



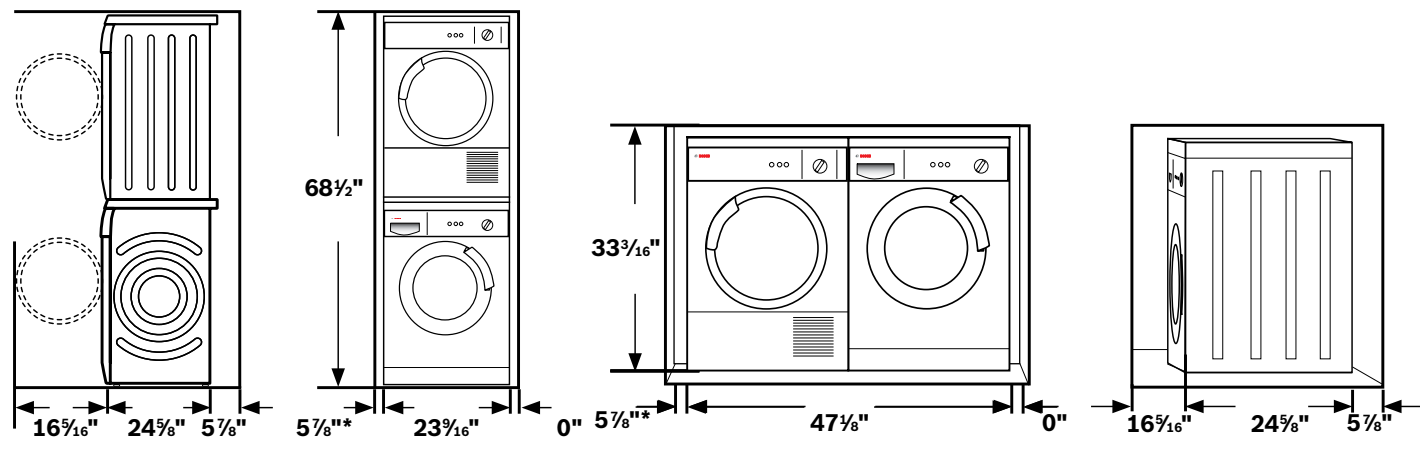
Laundry Dimensions and Installation

Compact Washers and Dryers



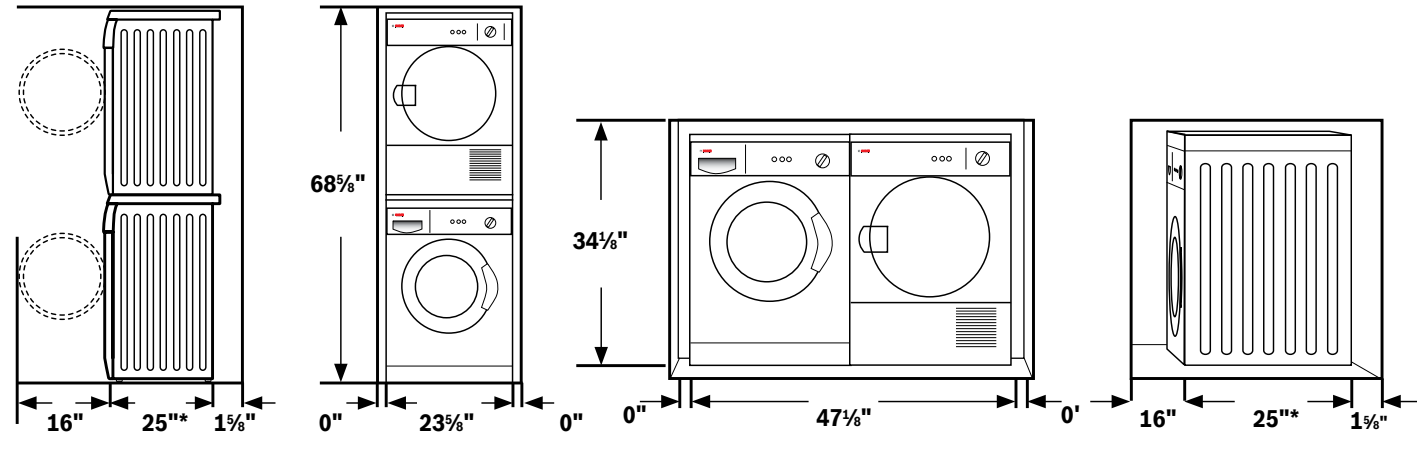
WAS Washers
Closet installation with WTE863100US

Undercounter Installation (with required clearance)



WAS Washers
Closet installation with WTV76100US
*Venting to the left.

Undercounter Installation (with required clearance)



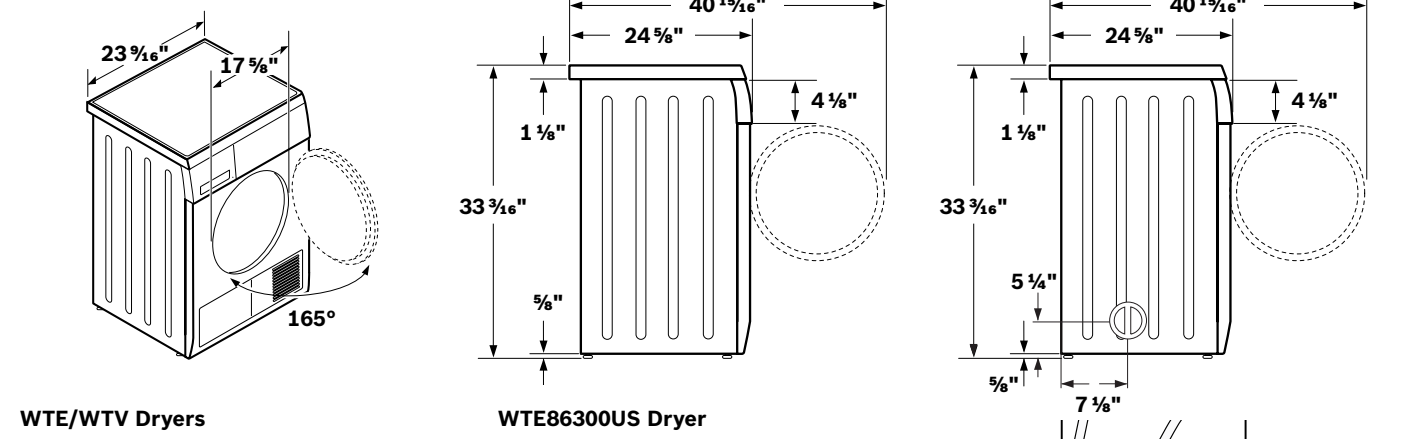
WAE Washer
Closet installation with WTC82100US
*Dryer depth is 25" when stacked together with washer.

Undercounter Installation (with required clearance)

Note: Dimensions are for planning only. For details, see installation manual, or visit www.bosch-home.com/us. Specifications subject to change without notice. For immediate installation dimensions by fax, call 1.925.284.3558. Use code #8317 for a directory of Bosch products. Also available online at dexpress.com.

Laundry Dimensions and Installation

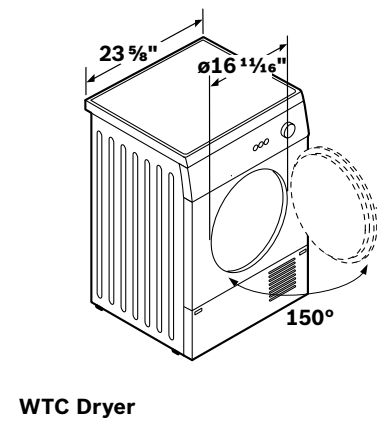
Compact Dryers



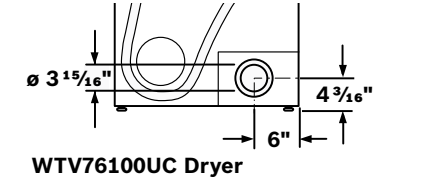
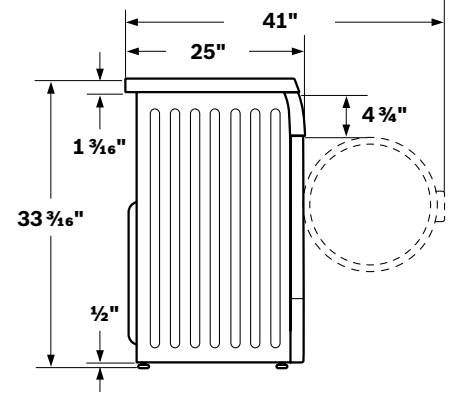
WTE/WTV Dryers

WTE86300US Dryer

WTV76100UC Dryer



WTC Dryer



Warranties

<p>Dishwasher</p> <p>Limited warranty, entire appliance, parts and labor (1 year)</p> <p>Limited warranty for microprocessor or printed circuit board; parts only (2nd to 5th year)</p> <p>Limited warranty for racks (does not include rack components); parts only (2nd to 5th year)</p> <p>Limited warranty for rust-through on inner tub liner; parts only (lifetime)</p>	<p>Ovens</p> <p>Limited warranty, entire appliance, parts and labor (1 year)</p>	<p>Microwave</p> <p>Limited warranty, entire appliance, parts and labor (1 year)</p>
<p>Laundry</p> <p>Limited warranty, entire appliance, parts and labor (1 year)</p>	<p>Cooktops</p> <p>Limited warranty, entire appliance, parts and labor (1 year)</p>	<p>Refrigeration</p> <p>Limited warranty, entire appliance, parts and labor (1 year)</p> <p>Limited warranty for non-electronic components; parts only (1st to 2nd year)</p> <p>Limited warranty for electronic components; parts only (2nd to 5th year)</p> <p>Limited warranty for rust-through on stainless steel; parts only (lifetime)</p>
<p>Ventilation</p> <p>Limited warranty, entire appliance, parts and labor (1 year)</p>	<p>Ranges</p> <p>Limited warranty, entire appliance, parts and labor (1 year)</p>	