

# 24 " Recessed Handle Dishwasher

## 500 Series- Stainless steel

### SHE55M15UC



## Features and Benefits

### Key Features

- 47 dBA- No quieter dishwasher in its class
- Red Remaining Time Display
- 19 h Delay Start Timer
- 800 Series Racks

### Design

- Stainless Steel TallTub
- Silver Painted Fascia in Stainless Steel
- Red Remaining Time Display

### Performance

- 47 dBA- No quieter dishwasher in its class
- 4 Wash Cycles and 2 Options

### Efficiency

- Saves up to 280 gallons of water each year
- 259 kwh/yr - Energy Star®
- Exceeds ENERGY STAR Requirements for Water by 69%
- EcoSense™ Reduces Energy Usage by up to 20%
- Half Load Option for small loads

### Convenience

- AquaStop® Leak Protection
- Multi-Function LED with Remaining Time
- 19 h Delay Start Timer
- Express Wash - In 30 Minutes or Less
- Delicate Wash for Fine China



Notes: All height, width and depth dimensions are shown in inches. \*Please refer to installation instructions prior to making cutout. BSH reserves the absolute and unrestricted right to change product materials and specifications, at any time, without notice. Consult the product's installation instructions for final dimensional data and other details. Applicable product warranty can be found in a accompanying product literature or you may contact your account manager for further details.

For more information on our entire line of products, go to [boschappliances.com](http://boschappliances.com) or call 1-800-944-2904.  
Copyright ©2013 BSH Home Appliances Corporation. All rights reserved. Bosch is a registered trademark of Robert Bosch GmbH.

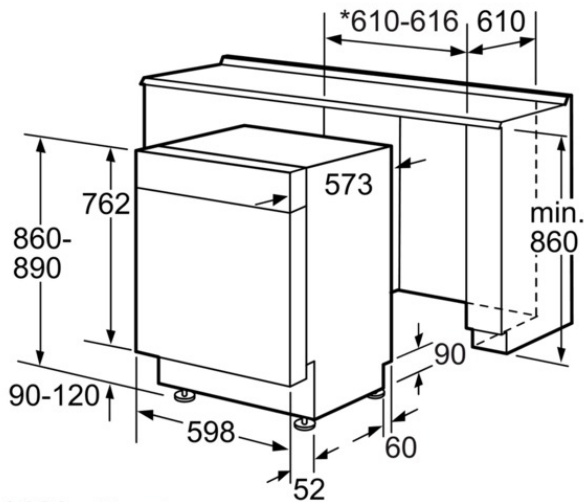
Litho Date: 04/2013



# 24 " Recessed Handle Dishwasher

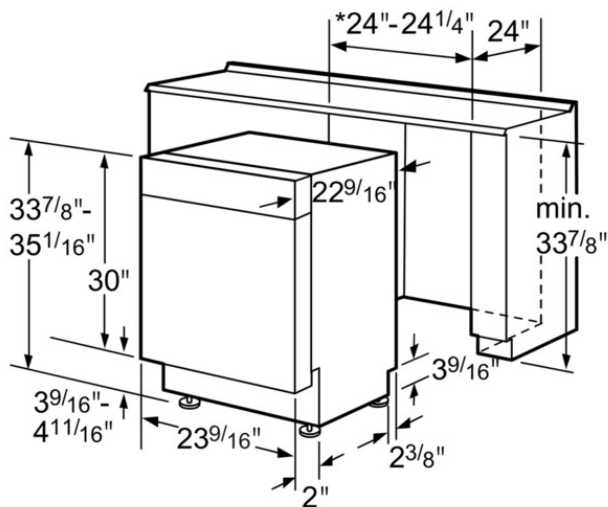
## 500 Series- Stainless steel

### SHE55M15UC



\* 600 without decorative strips

Measurements in mm



\* 23 5/8" without decorative strip

measurements in inches

### Features

Leak Protection System	Aqua Stop
ChildLock	Yes
Water softener	No
Upper Rack	800
Adjustable upper rack	Rackmatic 3-stage
Upper rack cup shelf	2
Lower Rack	800
Lower rack cup shelf	
3rd Rack	no
Silverware basket	Standard
Optional accessories	SGZ1000UC, SGZ1010UC, SGZ1051, SGZ2004UC, SGZ3003, SGZPC001UC

### Technical Specification

UPC code	825225868989
Panel ready	No
Alternative colors available	SHE55M12UC, SHE55M16UC
Silence level (dBA)	47
Watts (W)	1400
Current (A)	12
Volts (V)	120
Frequency (Hz)	60
Energy Consumption (kWh/yr)	259
Energy Star® qualified	Yes
NSF certified	Yes
Plug type	Fixed connection
Power cord length (in)	
Length outlet hose (in)	90 1/2
Length inlet hose (in)	
Required cutout size (HxWxD) (in)	33 7/8" x 24" x 24"
Product packaging dimensions (HxWxD) (in)	36 5/8" x 26 3/8" x 26"
Net weight (lbs)	94
Gross weight (lbs)	105
Adjustable feet	Yes
Tub material	Stainless steel
Tub type	TallTub
ADA Compliant	No
Number of place settings	14

Notes: All height, width and depth dimensions are shown in inches. \*Please refer to installation instructions prior to making cutout. BSH reserves the absolute and unrestricted right to change product materials and specifications, at any time, without notice. Consult the product's installation instructions for final dimensional data and other details. Applicable product warranty can be found in a accompanying product literature or you may contact your account manager for further details.

For more information on our entire line of products, go to [boschappliances.com](http://boschappliances.com) or call 1-800-944-2904.  
Copyright ©2013 BSH Home Appliances Corporation. All rights reserved. Bosch is a registered trademark of Robert Bosch GmbH.

Litho Date: 04/2013

