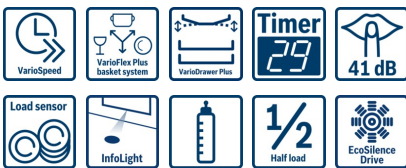


## Dishwashers

### 24" Panel Ready Dishwasher SHV9PT53UC Benchmark Series



### Expandable wings on our flexible 3rd rack provide extra height to fit ramekins, measuring cups and extra-large utensils.

- **39 dBA:** Quietest dishwasher brand.
- A flexible 3rd rack with folding tines adds 30% more loading capacity.
- A clean white light illuminates the interior when the door is open.
- Water softener ensures optimally spot-free and shiny dishes.
- AquaStop® Plus 4-Part leak protection prevents water damage 24/7.

#### Technical Data

Upper Rack :	high
Adjustable upper rack :	Rackmatic 3-stage
Upper rack cup shelf :	2
Lower Rack :	high
Lower rack cup shelf :	2
3rd Rack :	3rd Rack 2.0
Silverware Basket :	Standard
Accessories Parts :	6 small item clips, baking-sheet spray head grey, bottle holder metal
Optional accessories :	SGZ1010UC, SGZ9091UC, SHZ1008UC, SMZ1007UC, SMZ5000, SMZ5002UC, SMZPC002UC
UPC code :	825225905165
Variant color :	Stainless steel
Panel ready :	Yes
Silence level (dBA) :	39
Watts (W) :	1300
Current (A) :	12
Volts (V) :	120
Frequency (Hz) :	60
Energy Consumption (kWh/yr) :	239
Energy Star® qualified :	Yes
Plug type :	120V-3 prong
Required cutout size (HxWxD) (in) :	34 1/8 " x 24 " x 24 "
Required cutout size (HxWxD) (mm) :	867-927 x 610 x 610
Overall appliance dimensions (HxWxD) (in) :	34 1/8 " x 23 9/16 " x 21 5/8 "
Power cord length (in) :	63"
Power cord length (cm) :	175
Length outlet hose (in) :	63 "
Length outlet hose (cm) :	190.0
Length inlet hose (in) :	55"
Length inlet hose (cm) :	165
Product packaging dimensions (HxWxD) (in) :	36 13/16" x 26" x 28"
Tub material :	Stainless steel
Tub type :	TallTub
ADA Compliant :	No
Number of place settings :	15

#### Optional accessories

SGZ1010UC Drain hose extension kit, SGZ9091UC finish salt for dishwashers, SHZ1008UC s/s door with handle for dishwasher, SMZ5000 Dishwashing aid set, SMZ5002UC Silverware box, SMZPC002UC Powercord with cold plug

## Dishwashers

### 24" Panel Ready Dishwasher SHV9PT53UC Benchmark Series

**Expandable wings on our flexible 3rd rack provide extra height to fit ramekins, measuring cups and extra-large utensils.**

#### Key Features

- 46 dBA- Quietest Dishwasher Brand.
- Flexible 3rd Rack with Adjustable Separators Provides Additional Loading Capacity
- Made in Germany
- SteelTouch™ Control Panel
- White Light Illuminates the Interior when the Dishwasher is Open

#### Design

- Flexible 3rd Rack with Adjustable Separators Provides Additional Loading Capacity
- 15 Place Setting Capacity
- Red Remaining Time Display
- SteelTouch™ Control Panel
- RackMatic® on Upper Rack - 3 Height Adjustments and Up to 9 Possible Rack Positions
- Alternating Tines Fold Down to Accommodate Larger Cookware
- Extra Tall Item Sprinkler Cleans Items 22" Tall

#### Performance

- 46 dBA- Quietest Dishwasher Brand.
- 6 Programs and 5 Options
- Detergent Tray Optimizes Detergent Dissolving
- Load Size Sensor Automates Wash Temperature
- Water Softener Ensures Perfect Shine
- Sanitize Option Eliminates Bacteria and Enhances Drying Results

#### Efficiency

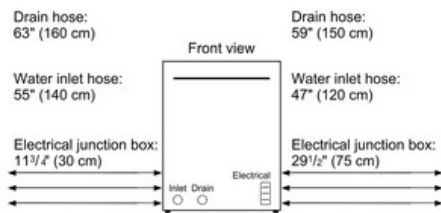
- 239 kwh/yr - Energy Star®
- Half Load Option for Small Loads

#### Convenience

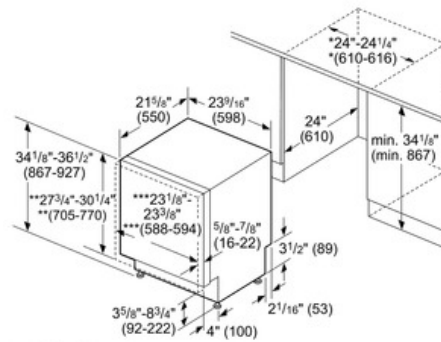
- White Light Illuminates the Interior when the Dishwasher is Open
- 24 H Delay Start Timer
- AquaStop® Leak Protection Works 24/7
- Self-Latching Door
- Express Wash - In 30 Minutes or Less
- SpeedPerfect™ Option Reduces Cycle Time while Maintaining Cleaning Performance
- Glass Care Cycle for Fine Glassware

## Dishwashers

### 24" Panel Ready Dishwasher SHV9PT53UC Benchmark Series



All connections are at the rear of the appliance.  
Extension for drain hose available as accessory.  
Power cord for connection to electrical outlet (3-prong plug) available as accessory.



- \* 23 9/16" (600 mm) without decor strips
- \*\* measured from the bottom edge of the countertop panel thickness recommended 3/4" (20 mm), panel weight 7-22 lbs (3-10 kg)
- \*\*\* 24" (610 mm) wide panel may be used depending on cabinet design

measurements in inches (mm)