

# Dishwashers

**Sleek, flush European styling with a design for everyone.**



Bosch designers believe that form must always be balanced with function. Whether it's a new way to load your silverware and bulky items, or a seamless look with cabinets through our ultra-flush installation, our commitment to purposeful design is clear.

Our German-engineered dishwashers incorporate 18 unique sound reducing technologies, making Bosch the quietest dishwasher brand in the U.S.\* with every quiet level certified by an independent lab. With our innovative third rack, your cutlery, whisks, tongs, and other odd utensils have a place all their own, allowing for 30% more loading area.\*\*

\*Based on an average of sound ratings of 24" Full Size Stainless Steel Tub dishwashers contained in major brands websites. Major brands defined as TraQline Top 5 Market Share brands, March 2014. \*\*Compared to a Bosch dishwasher with two racks.



# Benchmark™ Dishwashers

A place for everything,  
and everything in its well-designed place.



### Quietest Brand

The number one feature homeowners look for in a dishwasher is quietness, and our ingenious German engineering makes Bosch the quietest dishwasher brand in the U.S.\* In fact, our dishwashers are so quiet, we've added an InfoLight® or TimeLight® to let you know a cycle is running.



### Three Racks of Flexible Loading Space

Expandable wings on our flexible third rack provide extra room for ramekins, measuring cups and extra-large utensils. Adjustable tines lower to fit awkward, bulky items while our third rack's unique v-shape accommodates the loading of extra tall stemware in the middle rack.



### Flush and Easy Installation

Our full size tub can be installed perfectly flush to cabinetry. And, new Bosch dishwashers come with a pre-connected heavy-duty braided water inlet hose, as well as a power cord with attached junction box for easy installation.



### Most Awarded Dishwasher Brand Worldwide

Bosch dishwashers have won more awards than any other dishwasher brand.\*\*



\*Based on an average of sound ratings of 24" Full Size Stainless Steel Tub dishwashers contained in major brands websites. Major brands defined as TraQline Top 5 Market Share brands, March 2014. \*\*According to the 2013 worldwide count of "best in test" ratings from comparative dishwasher tests.





# Benchmark™ Dishwashers



- Benchmark™**
- 40 dBA
  - SHE8PT55UC** • Interior Light
  - SHX8PT55UC** • Added Rack Flexibility
  - SHV8PT53UC** • Flexible Third Rack
  - Water Softener

Recessed Handle – SHE8PT55UC  
 Bar Handle – SHX8PT55UC  
 Custom Panel – SHV8PT53UC

General Properties	
Number of wash cycles / options	6 / 5
dBA	40
Third Rack	Flexible
Rack Adjustability	RackMatic®
Tub material	Stainless steel
Control Type	SteelTouch™ Control
Concealed heating element	Yes
Leak protection system	24/7 AquaStop®
Water softener	Yes
Five-level wash	Yes
ChildLock	No
TFT display	Recessed Handle model only
InfoLight®	Bar Handle and Custom Panel models only
Special Features	Interior Light, Duo-Flex Silverware Basket, SpeedPerfect™
Efficiency and Capacity	
Water usage per cycle	2.9
Energy efficiency class	Tier 1
ENERGY STAR® qualified	Yes
Total annual energy / water consumption	259 kWh / 624 g
Number of place settings	16
Technical Data	
Watts (W)	1300 W
Current (A) / Volts (V) / Frequency (Hz)	12 A / 120 V / 60 Hz
Power cord length	56 5/16"
Minimum water pressure (lb / sin)	14
Length inlet / outlet hose (in)	60" / 79"
Dimensions & Weight	
Overall appliance dimensions (HxWxD) (in)	33 7/8" x 23 9/16" x 23 7/8"
Required cutout size (HxWxD) (in)	33 7/8" x 23 5/8" x 24"
Net weight (lbs)	109 lbs

#### Optional Accessories

SGZ9091UC  
Softener Salt (4.4 lbs)

SGZ1010UC  
Supply and Drainage  
Hose Extension 76 3/4"

SMZ5000  
Accessory Kit

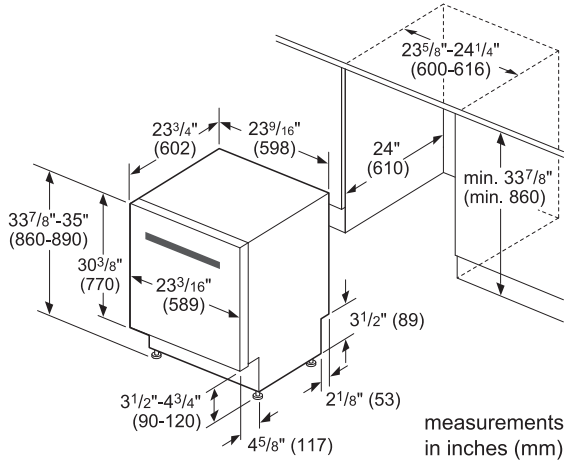
SMZ5002UC  
Anti-Tarnish  
Silverware Cassette

SMZPC002UC  
3-Prong Power Cord  
66 7/8"



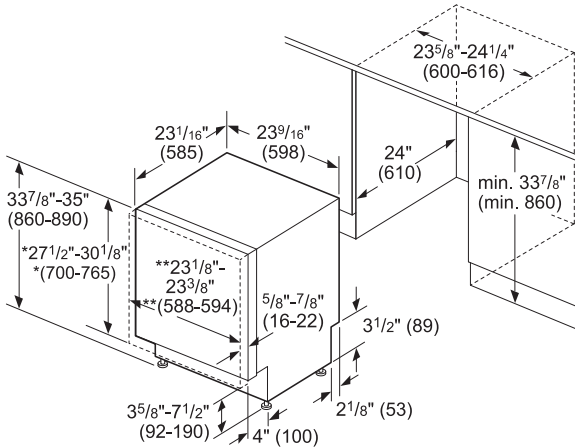
# Benchmark™ Dishwashers

## Dimensions and Cutout



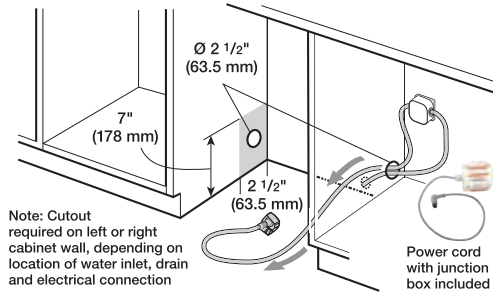
measurements in inches (mm)

## Custom Panel - Dimensions and Cutout



\* measured from the bottom edge of the countertop panel thickness recommended 3/4" (20 mm), panel weight 7-22 lbs (3-10 kg)  
 \*\* 24" (610 mm) wide panel may be used depending on cabinet design  
 Note: Refer to installation template for mounting hardware locations  
 measurements in inches (mm)

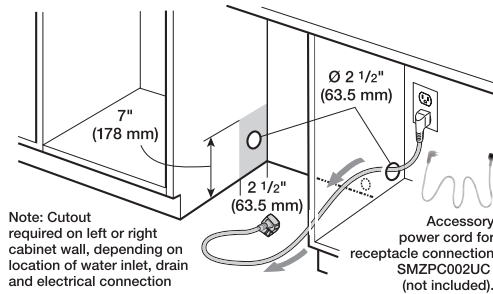
## Example of Hardwire Installation



Note: Cutout required on left or right cabinet wall, depending on location of water inlet, drain and electrical connection

Power cord with junction box included

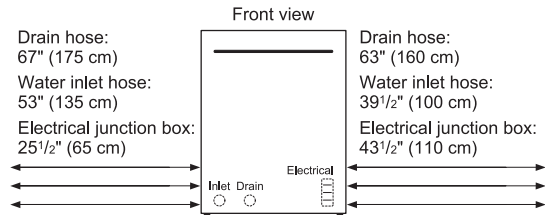
## Example of Electrical Receptacle Installation



Note: Cutout required on left or right cabinet wall, depending on location of water inlet, drain and electrical connection

Accessory power cord for receptacle connection SMZPC002UC (not included).

## Water and Electrical Locations

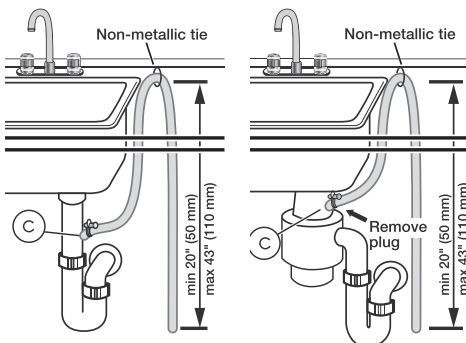


Drain hose: 67" (175 cm)  
 Water inlet hose: 53" (135 cm)  
 Electrical junction box: 25 1/2" (65 cm)

Drain hose: 63" (160 cm)  
 Water inlet hose: 39 1/2" (100 cm)  
 Electrical junction box: 43 1/2" (110 cm)

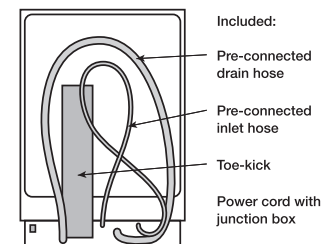
All connections are at the rear of the appliance.  
 Extension for drain hose available as accessory.  
 Power cord for connection to electrical outlet (3-prong plug) available as accessory.

## Plumbing



Note: Plumbing installations will vary - refer to local codes.  
 Drain hose included is 79 (201 cm) and can be extended to a maximum of 155 3/4" (396 cm).  
 Always use the approved drain hose extension kit (SGZ1010UC).  
 Ensure a portion of the drain hose is raised between min. 20" (50 cm) and max. 43" (110 cm) above the cabinet floor.

## Included Parts & Accessories



# Benchmark™ Dishwashers



- Benchmark™** + 39 dBA  
**SHE9PT55UC** + 239 kWh / Year  
**SHX9PT55UC** + Alternating Tines  
**SHV9PT53UC** + 24/7 AquaStop® Plus  
 • Pairs well with European size cabinetry

- Benchmark™** + 38 dBA  
**SHX9PT75UC** • Pairs well with European size cabinetry

+ Indicates a step-up feature

Recessed Handle – SHE9PT55UC  
 Bar Handle – SHX9PT55UC  
 Custom Panel – SHV9PT53UC

Bar Handle – SHX9PT75UC

## General Properties

Number of wash cycles / options	6 / 5	6 / 5
dBA	39	38
Third Rack	Flexible	Flexible
Rack Adjustability	RackMatic®	RackMatic®
Tub material	Stainless steel	Stainless steel
Control Type	SteelTouch™ Control	SteelTouch™ Control
Concealed heating element	Yes	Yes
Leak protection system	24/7 AquaStop® Plus	24/7 AquaStop® Plus
Water softener	Yes	Yes
Five-level wash	Yes	Yes
ChildLock	Recessed Handle model only	N/A
TFT display	Recessed Handle model only	N/A
InfoLight®	Bar Handle and Custom Panel models only	Yes
Special Features	Made in Germany, Interior Light, Alternating Folding Tines, Flexible Silverware Basket, SpeedPerfect™	Made in Germany, Interior Light, Alternating Folding Tines, Flexible Silverware Basket, SpeedPerfect™

## Efficiency and Capacity

Water usage per cycle	2.2	2.2
Energy efficiency class	Tier 1	Tier 1
ENERGY STAR® qualified	Yes	Yes
Total annual energy / water consumption	239 kWh / 624 g	239 kWh / 624 g
Number of place settings	15	15

## Technical Data

Watts (W)	1300 W	1300 W
Current (A) / Volts (V) / Frequency (Hz)	12 A / 120 V / 60 Hz	12 A / 120 V / 60 Hz
Power cord length	63"	63"
Minimum water pressure (lb / sin)	7	7
Length inlet / outlet hose (in)	55" / 88 5/8"	55" / 88 5/8"

## Dimensions & Weight

Overall appliance dimensions (HxWxD) (in)	34 1/8" x 23 9/16" x 22 7/16"	34 1/8" x 23 9/16" x 22 7/16"
Required cutout size (HxWxD) (in)	34 1/8" x 24" x 24"	34 1/8" x 24" x 24"
Net weight (lbs)	119 lbs	121 lbs

## Optional Accessories

SGZ9091UC  
Softener Salt (4.4 lbs)

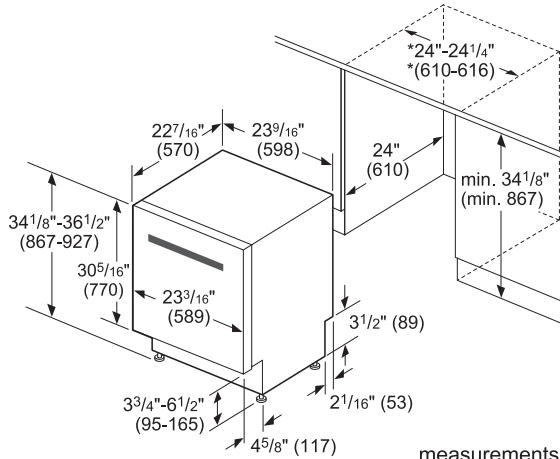
SGZ1010UC  
Supply and Drainage  
Hose Extension 76 3/4"

SMZ5000  
Accessory Kit

SMZ5002UC  
Anti-Tarnish  
Silverware Cassette

# Benchmark™ Dishwashers

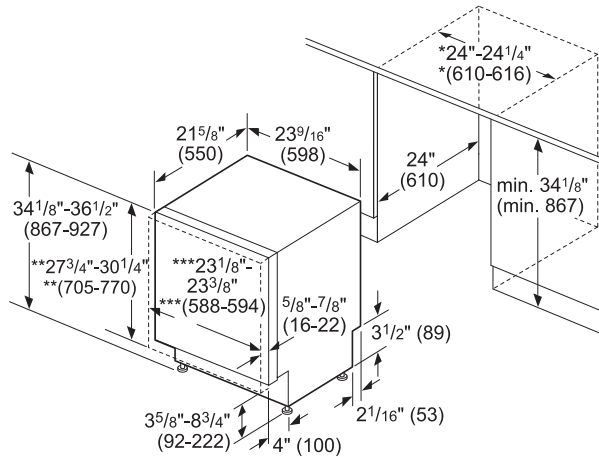
## Dimensions and Cutout



\*23 5/8" (600) without decor strips

measurements in inches (mm)

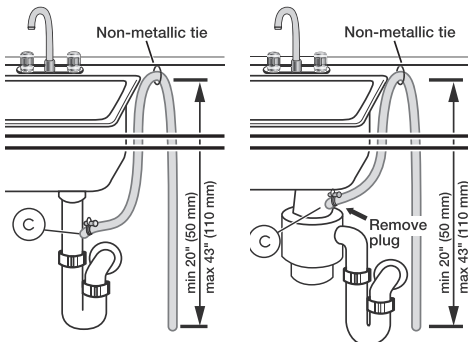
## Custom Panel - Dimensions and Cutout



- \* 23 5/8" (600 mm) without decor strips
- \*\* measured from the bottom edge of the countertop panel thickness recommended 3/4" (20 mm), panel weight 7-22 lbs (3-10 kg)
- \*\*\* 24" (610 mm) wide panel may be used depending on cabinet design

Note: Refer to installation template for mounting hardware locations  
measurements in inches (mm)

## Plumbing

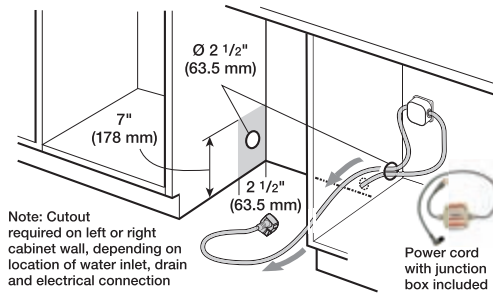


Note: Plumbing installations will vary - refer to local codes. Drain hose included is 88 5/8" (225 cm) and can be extended to a maximum of 165 3/8" (420 cm).

Always use the approved drain hose extension kit (SGZ1010UC).

Ensure a portion of the drain hose is raised between min. 20" (50 cm) and max. 43" (110 cm) above the cabinet floor.

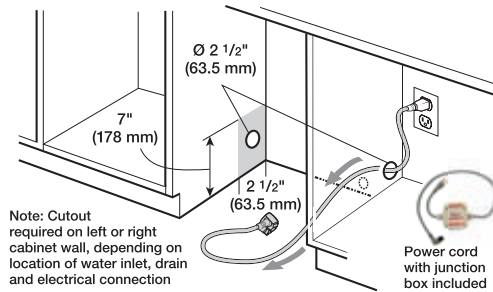
## Example of Hardwire Installation



Note: Cutout required on left or right cabinet wall, depending on location of water inlet, drain and electrical connection

Power cord with junction box included

## Example of Electrical Receptacle Installation



Note: Cutout required on left or right cabinet wall, depending on location of water inlet, drain and electrical connection

Power cord with junction box included

## Water and Electrical Locations

Drain hose: 63" (160 cm)

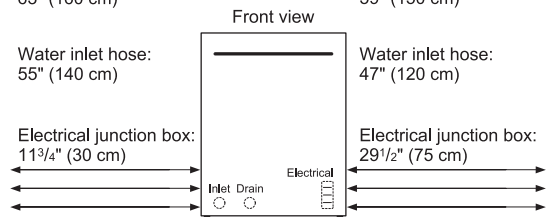
Drain hose: 59" (150 cm)

Water inlet hose: 55" (140 cm)

Water inlet hose: 47" (120 cm)

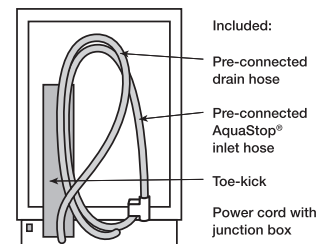
Electrical junction box: 11 3/4" (30 cm)

Electrical junction box: 29 1/2" (75 cm)



All connections are at the rear of the appliance.  
Extension for drain hose available as accessory.  
Power cord for connection to electrical outlet (3-prong plug) available as accessory.

## Included Parts & Accessories





# Ascenta Dishwashers



**Ascenta** • 50 dBA  
**\*SHE3AR5\_UC** • 4 Cycles / 2 Options  
**\*SHX3AR5\_UC** • 24/7 Overflow Protection



**Ascenta DLX** + 5 Cycles / 2 Options  
**\*SHE3ARL\_UC** + Design (Silver Control Panel on Stainless Steel Model)



**Ascenta** + 6 Cycles / 2 Options  
**\*SHE3AR7\_UC** + Racks with Manual Height Adjustment  
**\*SHX3AR7\_UC**

+ Indicates a step-up feature

\* Multiple colors available. See color chips to fill in missing digit.

	Ascenta	Ascenta DLX	Ascenta
	Recessed Handle – SHE3AR5_UC Bar Handle – SHX3AR5_UC	Recessed Handle – SHE3ARL_UC	Recessed Handle – SHE3AR7_UC Bar Handle – SHX3AR7_UC
<b>General Properties</b>			
Number of wash cycles / options	4 / 2	5 / 2	6 / 2
dBA	50	50	50
Third rack	No	No	No
Rack adjustability	No	No	Manual
Tub material	Stainless steel / polypropylene	Stainless steel / polypropylene	Stainless steel / polypropylene
Control type	Buttons	Buttons	Buttons
Concealed heating element	Yes	Yes	Yes
Leak protection system	24/7 Overflow Protection	24/7 Overflow Protection	24/7 Overflow Protection
Water softener	No	No	No
Five-level wash	Yes	Yes	Yes
ChildLock	Recessed Handle model only	Yes	Yes
TFT Display	No	No	No
InfoLight®	No	No	No
<b>Efficiency and Capacity</b>			
Water usage per cycle	2.95	2.95	2.95
Energy efficiency class	Tier 1	Tier 1	Tier 1
ENERGY STAR® qualified	Yes	Yes	Yes
Total annual energy / water consumption	279 kWh / 634 g	279 kWh / 634 g	279 kWh / 634 g
Number of place settings	14	14	14
<b>Technical Data</b>			
Watts (W)	1400 W	1400 W	1400 W
Current (A) / Volts (V) / Frequency (Hz)	12 A / 120 V / 60 Hz	12 A / 120 V / 60 Hz	12 A / 120 V / 60 Hz
Power cord length	N/A	N/A	N/A
Minimum water pressure (lb / sin)	15	15	15
Length inlet / outlet hose (in)	N/A / 91 3/4"	N/A / 91 3/4"	N/A / 91 3/4"
<b>Dimensions &amp; Weight</b>			
Overall appliance dimensions (HxWxD) (in)	33 7/8" x 23 9/16" x 22 9/16"	33 7/8" x 23 9/16" x 22 9/16"	33 7/8" x 23 9/16" x 22 9/16"
Required cutout size (HxWxD) (in)	33 7/8" x 24" x 24"	33 7/8" x 24" x 24"	33 7/8" x 24" x 24"
Adjustable feet	Yes	Yes	Yes
Net weight (lbs)	69 lbs	68 lbs	69 lbs

**Optional Accessories**

SGZ1010UC  
Supply and Drainage  
Hose Extension 76 3/4"

SGZPC001UC  
3-Prong Power Cord  
55 1/4"

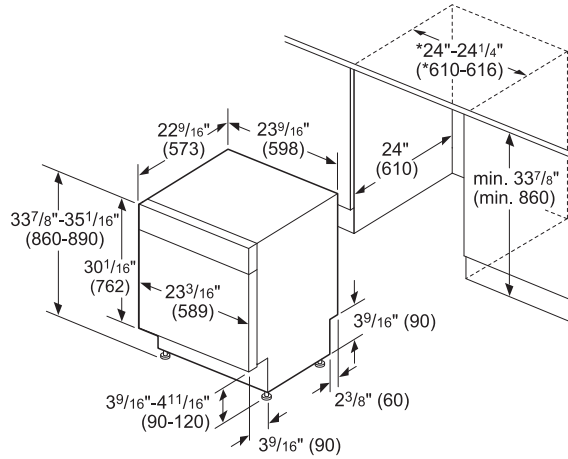
SGZ1052UC  
Accessory Kit

SMZ4000UC  
Duo-Flex Silverware Basket

SMZ5002UC  
Anti-Tarnish Silverware Cassette

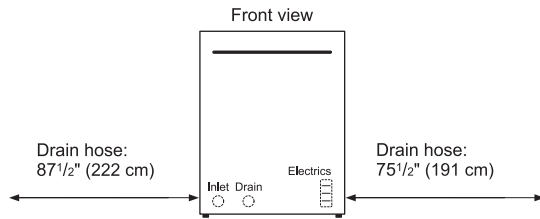
# Ascenta Dishwashers

## Dimensions and Cutout



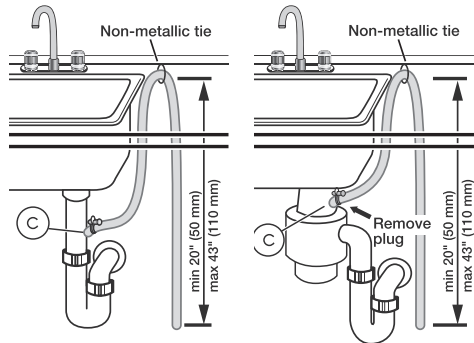
\*23 5/8" (600) without decor strips

## Water and Electrical Locations



The electrical junction box and water inlet are at the front of the appliance, the drain at the rear.

## Plumbing

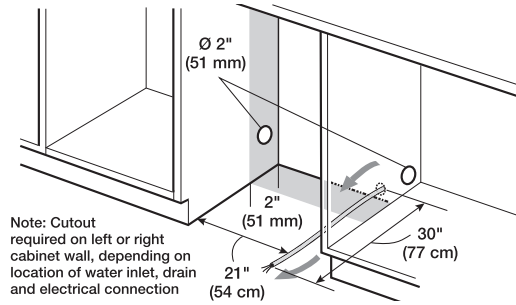


Note: Plumbing installations will vary - refer to local codes. Drain hose included is 91 3/4" (233 cm) and can be extended to a maximum of 168 1/2" (428 cm).

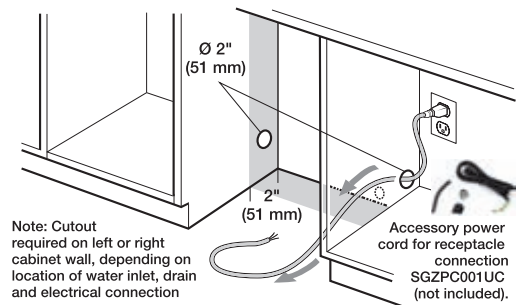
Always use the approved drain hose extension kit (SGZ1010UC).

Ensure a portion of the drain hose is raised between min. 20" (50 cm) and max. 43" (110 cm) above the cabinet floor.

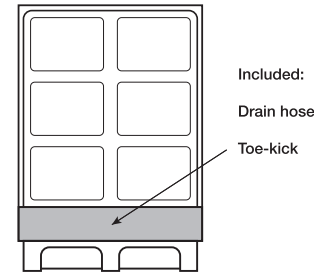
## Example of Hardwire Installation



## Example of Electrical Receptacle Installation



## Included Parts & Accessories



# Ascenta Dishwashers



- Ascenta SHX4AT55UC**
- + 49 dBA
  - + 4 Cycles / 4 Options
  - + RackMatic® Height Adjustable System
  - + InfoLight®



- Ascenta DLX SHX4AT75UC**
- + Duo-Flex Silverware Basket
  - + SpeedPerfect™
  - + 4 Cycles / 5 Options

+ Indicates a step-up feature

	Ascenta Bar Handle – SHX4AT55UC	Ascenta DLX Bar Handle – SHX4AT75UC
<b>General Properties</b>		
Number of wash cycles / options	4 / 4	4 / 5
dBA	49	49
Third rack	No	No
Rack adjustability	RackMatic®	RackMatic®
Tub material	Stainless steel / polypropylene	Stainless steel / polypropylene
Control type	Buttons	Buttons
Concealed heating element	Yes	Yes
Leak protection system	24/7 Overflow Protection	24/7 Overflow Protection
Water softener	No	No
Five-level wash	Yes	Yes
ChildLock	N/A	N/A
TFT Display	N/A	N/A
InfoLight®	Yes	Yes
Special Features	InfoLight®	Duo-Flex Silverware Basket, SpeedPerfect™
<b>Efficiency and Capacity</b>		
Water usage per cycle	3.2	3.2
Energy efficiency class	Tier 1	Tier 1
ENERGY STAR® qualified	Yes	Yes
Total annual energy / water consumption	279 kWh / 688 g	279 kWh / 688 g
Number of place settings	14	14
<b>Technical Data</b>		
Watts (W)	1300 W	1300 W
Current (A) / Volts (V) / Frequency (Hz)	12 A / 120 V / 60 Hz	12 A / 120 V / 60 Hz
Power cord length	N/A	N/A
Minimum water pressure (lb / sin)	15	15
Length inlet / outlet hose (in)	N/A / 91 3/4"	N/A / 91 3/4"
<b>Dimensions &amp; Weight</b>		
Overall appliance dimensions (HxWxD) (in)	33 7/8" x 23 9/16" x 22 9/16"	33 7/8" x 23 9/16" x 22 9/16"
Required cutout size (HxWxD) (in)	33 7/8" x 24" x 24"	33 7/8" x 24" x 24"
Adjustable feet	Yes	Yes
Net weight (lbs)	71 lbs	71 lbs

## Optional Accessories

SGZ1010UC  
Supply and Drainage  
Hose Extension 76 3/4"

SGZPC001UC  
3-Prong Power Cord  
55 1/4"

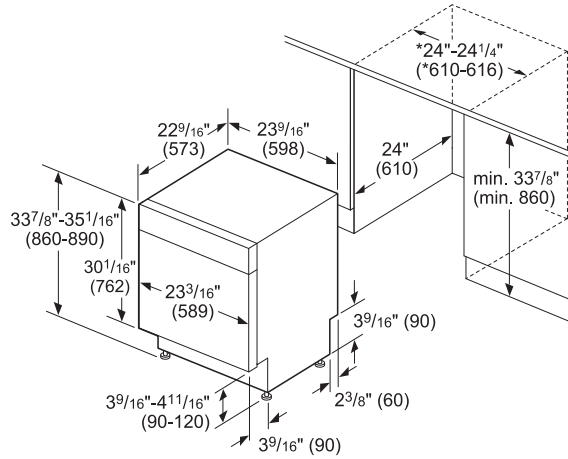
SGZ1052UC  
Accessory Kit

SMZ4000UC  
Duo-Flex Silverware Basket

SMZ5002UC  
Anti-Tarnish Silverware Cassette

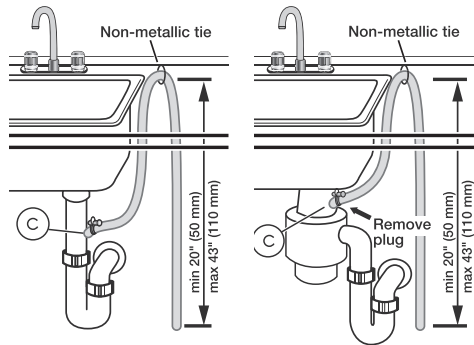
# Ascenta Dishwashers

## Dimensions and Cutout



\*23 5/8" (600) without decor strips

## Plumbing

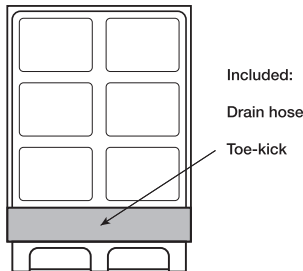


Note: Plumbing installations will vary - refer to local codes. Drain hose included is 91 3/4" (233 cm) and can be extended to a maximum of 168 1/2" (428 cm).

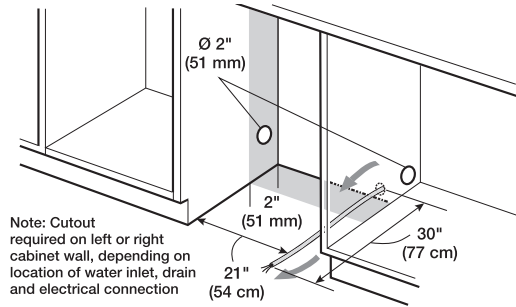
Always use the approved drain hose extension kit (SGZ1010UC).

Ensure a portion of the drain hose is raised between min. 20" (50 cm) and max. 43" (110 cm) above the cabinet floor.

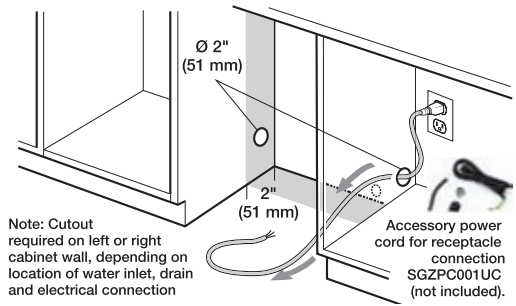
## Included Parts & Accessories



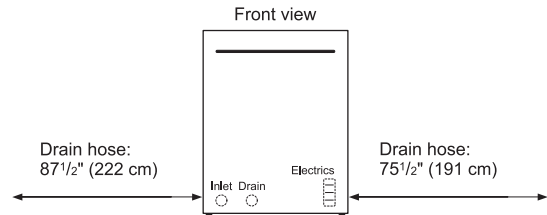
## Example of Hardwire Installation



## Example of Electrical Receptacle Installation



## Water and Electrical Locations



The electrical junction box and water inlet are at the front of the appliance, the drain at the rear.



# 300 Series Dishwashers



- 300 Series** • 4 Cycles / 4 Options  
**\*SHE53T5\_UC** + 46 dBA  
**SHP53T55UC** + Stainless Steel Deep Tub — 15 Place Settings  
**SHX53T55UC** + 24/7 AquaStop®  
**SHV53T53UC**

- 300 Series DLX** + RackMatic® Height Adjustable System  
**\*SHE53TL\_UC**  
**SHP53TL5UC** + SpeedPerfect™  
**SHX53TL5UC** + 4 Cycles / 5 Options  
**SHV53TL3UC**

+ Indicates a step-up feature  
 \* Multiple colors available. See color chips to fill in missing digit.

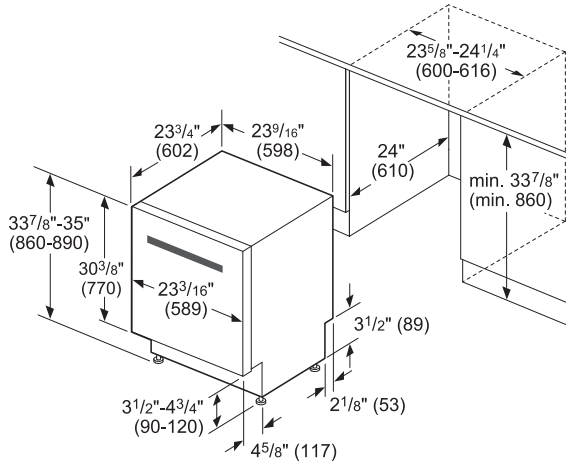
300 Series	300 Series DLX
Recessed Handle – SHE53T5_UC	Recessed Handle – SHE53TL_UC
Pocket Handle – SHP53T55UC	Pocket Handle – SHP53TL5UC
Bar Handle – SHX53T55UC	Bar Handle – SHX53TL5UC
Custom Panel – SHV53T53UC	Custom Panel – SHV53TL3UC

General Properties		
Number of wash cycles / options	4 / 4	4 / 5
dBA	46	46
Rack adjustability	Manual	RackMatic®
Tub material	Stainless steel	Stainless steel
Control type	Buttons	Buttons
Concealed heating element	Yes	Yes
Leak protection system	24/7 AquaStop®	24/7 AquaStop®
Five-level wash	Yes	Yes
ChildLock	Recessed Handle model only	Recessed Handle model only
InfoLight®	Pocket Handle, Bar Handle and Custom Panel models only	Pocket Handle, Bar Handle and Custom Panel models only
Special Features	N/A	SpeedPerfect™
Efficiency and Capacity		
Water usage per cycle	2.9	2.9
Energy efficiency class	Tier 1	Tier 1
ENERGY STAR® qualified	Yes	Yes
Total annual energy / water consumption	259 kWh / 624 g	259 kWh / 624 g
Number of place settings	15	15
Technical Data		
Watts (W)	1300 W	1300 W
Current (A) / Volts (V) / Frequency (Hz)	12 A / 120 V / 60 Hz	12 A / 120 V / 60 Hz
Power cord length	56 5/16"	56 5/16"
Minimum water pressure (lb / sin)	14	14
Length inlet / outlet hose (in)	60" / 79"	60" / 79"
Dimensions & Weight		
Overall appliance dimensions (HxWxD) (in)	33 7/8" x 23 9/16" x 23 3/4"	33 7/8" x 23 9/16" x 23 3/4"
Required cutout size (HxWxD) (in)	33 7/8" x 23 5/8" x 24"	33 7/8" x 23 5/8" x 24"
Adjustable feet	Yes	Yes
Net weight (lbs)	84 lbs	84 lbs

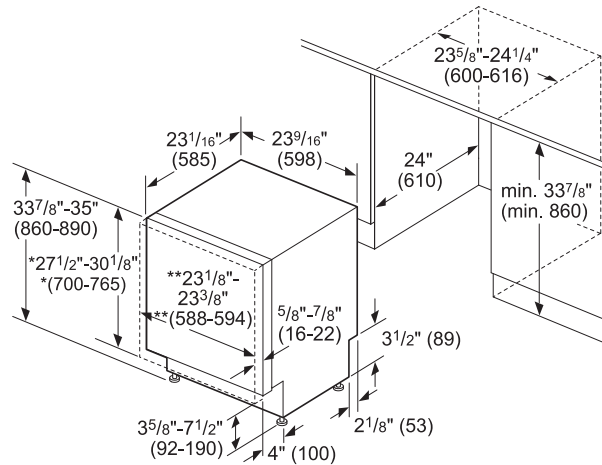
Optional Accessories				
SGZ1010UC Supply and Drainage Hose Extension 76 3/4"	SMZPC002UC 3-Prong Power Cord 66 7/8"	SMZ5000 Accessory Kit	SMZ4000UC Duo-Flex Silverware Basket	SMZ5002UC Anti-Tarnish Silverware Cassette

# 300 Series Dishwashers

## Dimensions and Cutout



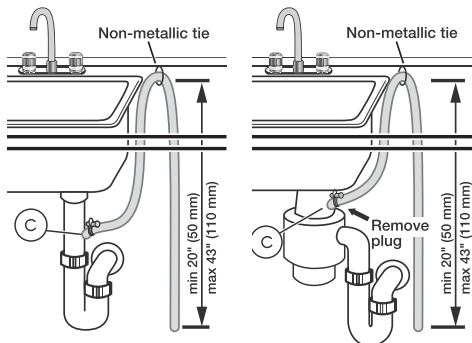
## Custom Panel - Dimensions and Cutout



\* measured from the bottom edge of the countertop panel thickness recommended 3/4" (20 mm), panel weight 7-22 lbs (3-10 kg)  
 \*\* 24" (610 mm) wide panel may be used depending on cabinet design

Note: Refer to installation template for mounting hardware locations measurements in inches (mm)

## Plumbing

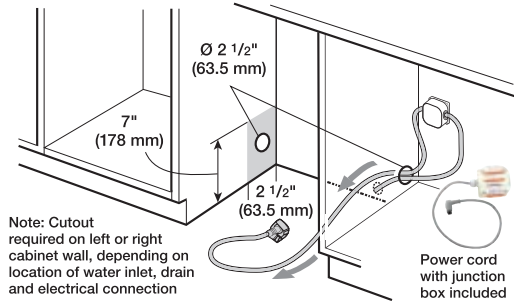


Note: Plumbing installations will vary - refer to local codes. Drain hose included is 79 (201 cm) and can be extended to a maximum of 155 3/4" (396 cm).

Always use the approved drain hose extension kit (SGZ1010UC).

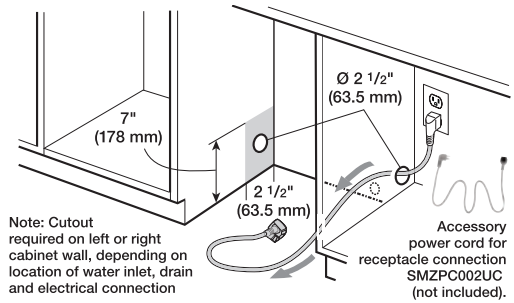
Ensure a portion of the drain hose is raised between min. 20" (50 cm) and max. 43" (110 cm) above the cabinet floor.

## Example of Hardwire Installation



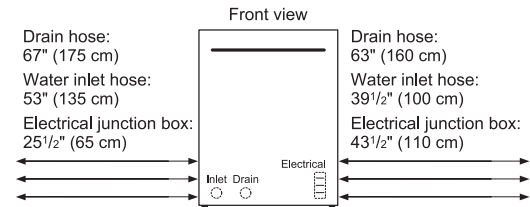
Note: Cutout required on left or right cabinet wall, depending on location of water inlet, drain and electrical connection

## Example of Electrical Receptacle Installation



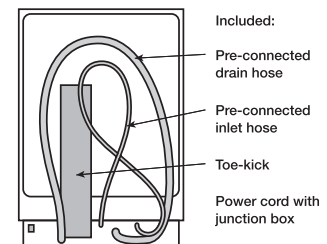
Note: Cutout required on left or right cabinet wall, depending on location of water inlet, drain and electrical connection

## Water and Electrical Locations



All connections are at the rear of the appliance. Extension for drain hose available as accessory. Power cord for connection to electrical outlet (3-prong plug) available as accessory.

## Included Parts & Accessories



# 500 Series Dishwashers



- 500 Series** + 44 dBA
- \*SHE65T5\_UC** + 5 Cycles / 5 Options
- \*SHP65T5\_UC** + RackMatic® Height Adjustable System
- SHX65T55UC** + Third Rack – 16 Place Settings

- 500 Series DLX** + Duo-Flex Silverware Basket
- \*SHP65T5\_UC** + SpeedPerfect™
- \*SHP65TL\_UC** + Third Rack – 16 Place Settings

+ Indicates a step-up feature  
 \* Multiple colors available. See color chips to fill in missing digit.

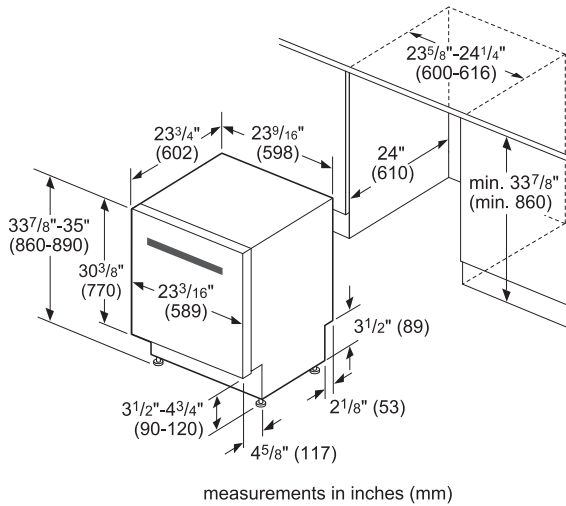
500 Series	500 Series DLX
Recessed Handle – SHE65T5_UC	Pocket Handle – SHP65T5_UC
Pocket Handle – SHP65T5_UC	Pocket Handle – SHP65TL_UC
Bar Handle – SHX65T55UC	

General Properties		
Number of wash cycles / options	5 / 5	5 / 5
dBA	44	44
Third rack	Standard	Standard
Rack adjustability	RackMatic®	RackMatic®
Tub material	Stainless steel	Stainless steel
Control type	Buttons	Buttons
Concealed heating element	Yes	Yes
Leak protection system	24/7 AquaStop®	24/7 AquaStop®
Water softener	No	No
Five-level wash	Yes	Yes
ChildLock	Recessed Handle model only	N/A
TFT Display	N/A	N/A
InfoLight®	Pocket Handle and Bar Handle models only	Yes
Special Features	N/A	Duo-Flex Silverware Basket, SpeedPerfect™
Efficiency and Capacity		
Water usage per cycle	2.9	2.9
Energy efficiency class	Tier 1	Tier 1
ENERGY STAR® qualified	Yes	Yes
Total annual energy / water consumption	259 kWh / 624 g	259 kWh / 624 g
Number of place settings	16	16
Technical Data		
Watts (W)	1300 W	1300 W
Current (A) / Volts (V) / Frequency (Hz)	12 A / 120 V / 60 Hz	12 A / 120 V / 60 Hz
Power cord length	56 5/16"	56 5/16"
Minimum water pressure (lb / sin)	14	14
Length inlet / outlet hose (in)	60" / 79"	60" / 79"
Dimensions & Weight		
Overall appliance dimensions (HxWxD) (in)	33 7/8" x 23 9/16" x 23 3/4"	33 7/8" x 23 9/16" x 23 3/4"
Required cutout size (HxWxD) (in)	33 7/8" x 23 5/8" x 24"	33 7/8" x 23 5/8" x 24"
Adjustable feet	Yes	Yes
Net weight (lbs)	91 lbs	91 lbs

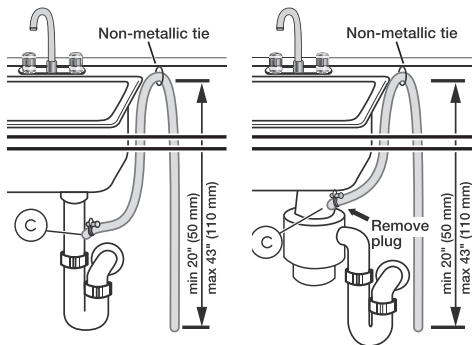
Optional Accessories				
SGZ1010UC Supply and Drainage Hose Extension 76 3/4"	SMZPC002UC 3-Prong Power Cord 66 7/8"	SMZ5000 Accessory Kit	SMZ4000UC Duo-Flex Silverware Basket	SMZ5002UC Anti-Tarnish Silverware Cassette

# 500 Series Dishwashers

## Dimensions and Cutout



## Plumbing

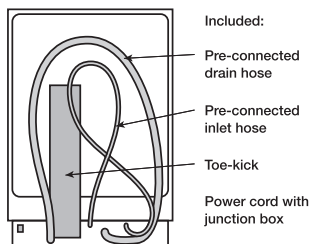


Note: Plumbing installations will vary - refer to local codes. Drain hose included is 79 (201 cm) and can be extended to a maximum of 155 3/4" (396 cm).

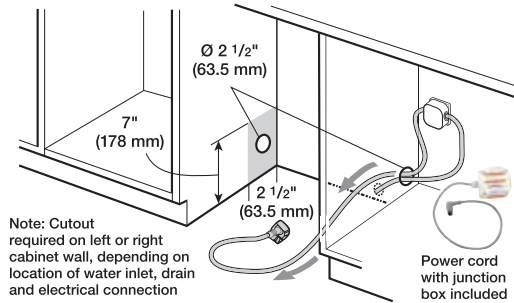
Always use the approved drain hose extension kit (SGZ1010UC).

Ensure a portion of the drain hose is raised between min. 20" (50 cm) and max. 43" (110 cm) above the cabinet floor.

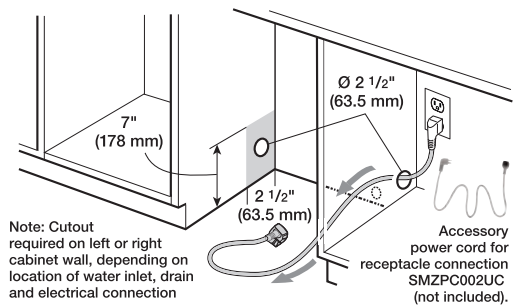
## Included Parts & Accessories



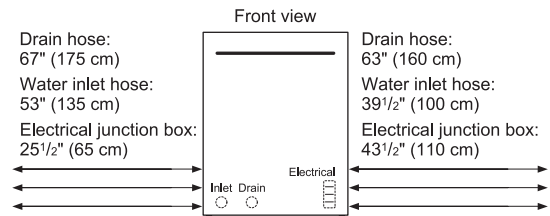
## Example of Hardwire Installation



## Example of Electrical Receptacle Installation



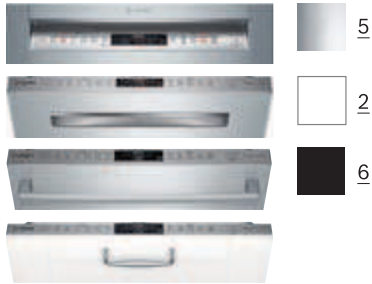
## Water and Electrical Locations



All connections are at the rear of the appliance. Extension for drain hose available as accessory. Power cord for connection to electrical outlet (3-prong plug) available as accessory.



# 800 Series Dishwashers



- 800 Series** + 6 Cycles / 5 Options  
**\*SHE68T5\_UC** + Capacitive Touch Control  
**SHP68T5UC** + Eco Cycle  
**\*SHX68T5\_UC** + Third Rack – 16 Place Settings  
**SHV68T53UC**

- 800 Series DLX** + Duo-Flex Silverware Basket  
**SHE68TL5UC** + SpeedPerfect™  
**SHP68TL5UC** + 6 Cycles / 6 Options  
**SHX68TL5UC** + Third Rack – 16 Place Settings  
**SHV68TL3UC**

+ Indicates a step-up feature  
 \* Multiple colors available. See color chips to fill in missing digit.

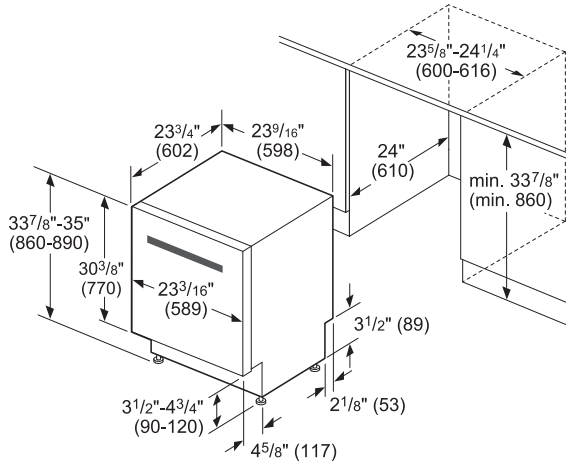
800 Series	800 Series DLX
Recessed Handle – SHE68T5_UC	Recessed Handle – SHE68TL5UC
Pocket Handle – SHP68T5UC	Pocket Handle – SHP68TL5UC
Bar Handle – SHX68T5_UC	Bar Handle – SHX68TL5UC
Custom Panel – SHV68T53UC	Custom Panel – SHV68TL3UC

General Properties		
Number of wash cycles / options	6 / 5	6 / 6
dBA	44	44
Rack adjustability	RackMatic®	RackMatic®
Control type	Touch Control	Touch Control
Concealed heating element	Yes	Yes
Leak protection system	24/7 AquaStop®	24/7 AquaStop®
Five-level wash	Yes	Yes
ChildLock	Recessed Handle model only	Recessed Handle model only
InfoLight®	Pocket Handle, Bar Handle and Custom Panel models only	Pocket Handle, Bar Handle and Custom Panel models only
Special Features	Eco Cycle	Duo-Flex Silverware Basket, SpeedPerfect™, Eco Cycle
Efficiency and Capacity		
Water usage per cycle	2.9	2.9
Energy efficiency class	Tier 1	Tier 1
ENERGY STAR® qualified	Yes	Yes
Total annual energy / water consumption	259 kWh / 624 g	259 kWh / 624 g
Number of place settings	16	16
Technical Data		
Watts (W)	1300 W	1300 W
Current (A) / Volts (V) / Frequency (Hz)	12 A / 120 V / 60 Hz	12 A / 120 V / 60 Hz
Power cord length	56 5/16"	56 5/16"
Minimum water pressure (lb / sin)	14	14
Length inlet / outlet hose (in)	60" / 79"	60" / 79"
Dimensions & Weight		
Overall appliance dimensions (HxWxD) (in)	33 7/8" x 23 9/16" x 23 3/4"	33 7/8" x 23 9/16" x 23 3/4"
Required cutout size (HxWxD) (in)	33 7/8" x 23 5/8" x 24"	33 7/8" x 23 5/8" x 24"
Adjustable feet	Yes	Yes
Net weight (lbs)	91 lbs	91 lbs

Optional Accessories				
SGZ1010UC Supply and Drainage Hose Extension 76 3/4"	SMZPC002UC 3-Prong Power Cord 66 7/8"	SMZ5000 Accessory Kit	SMZ4000UC Duo-Flex Silverware Basket	SMZ5002UC Anti-Tarnish Silverware Cassette

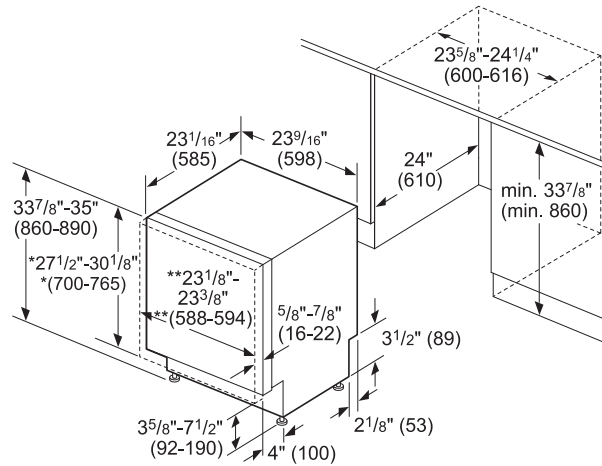
# 800 Series Dishwashers

## Dimensions and Cutout



measurements in inches (mm)

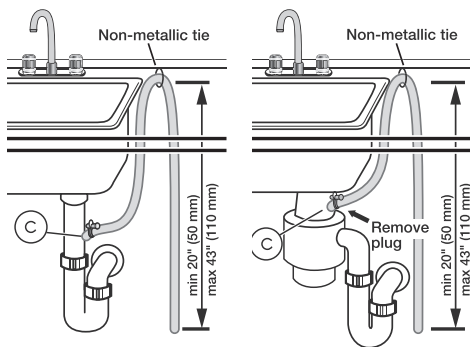
## Custom Panel - Dimensions and Cutout



\* measured from the bottom edge of the countertop panel thickness recommended 3/4" (20 mm), panel weight 7-22 lbs (3-10 kg)  
 \*\* 24" (610 mm) wide panel may be used depending on cabinet design

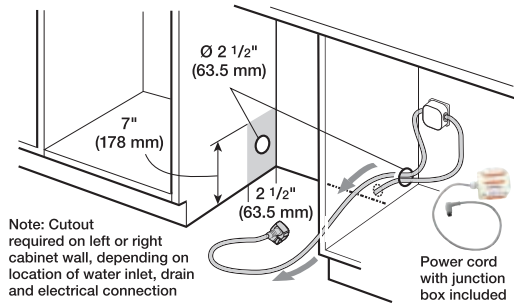
Note: Refer to installation template for mounting hardware locations  
 measurements in inches (mm)

## Plumbing

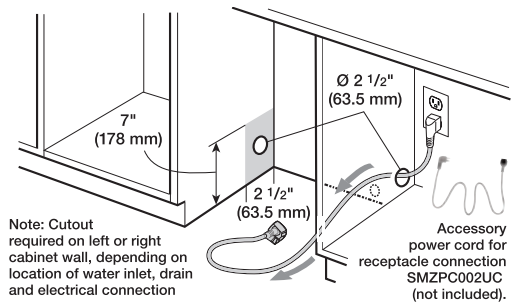


Note: Plumbing installations will vary - refer to local codes.  
 Drain hose included is 79 (201 cm) and can be extended to a maximum of 155 3/4" (396 cm).  
 Always use the approved drain hose extension kit (SGZ1010UC).  
 Ensure a portion of the drain hose is raised between min. 20" (50 cm) and max. 43" (110 cm) above the cabinet floor.

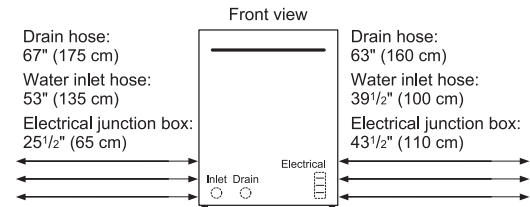
## Example of Hardwire Installation



## Example of Electrical Receptacle Installation

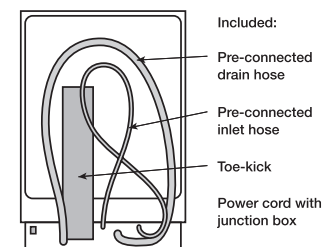


## Water and Electrical Locations



All connections are at the rear of the appliance.  
 Extension for drain hose available as accessory.  
 Power cord for connection to electrical outlet (3-prong plug) available as accessory.

## Included Parts & Accessories



# 800 Plus Series Dishwashers



- 800 Plus Series** + 42 dBA  
**\*SHE7PT5\_UC** + Flexible Third Rack  
**SHP7PT55UC** + Water Softener  
**SHX7PT55UC** + TimeLight®  
**SHV7PT53UC**

+ Indicates a step-up feature

\* Multiple colors available. See color chips to fill in missing digit.

800 Plus Series
Recessed Handle – SHE7PT5_UC
Pocket Handle – SHP7PT55UC
Bar Handle – SHX7PT55UC
Custom Panel – SHV7PT53UC

General Properties	
Number of wash cycles / options	6 / 5
dBA	42
Third rack	Flexible
Rack adjustability	RackMatic®
Tub material	Stainless steel
Control type	Touch Control
Concealed heating element	Yes
Leak protection system	24/7 AquaStop®
Water softener	Yes
Five-level wash	Yes
ChildLock	Recessed Handle model only
TimeLight®	Pocket Handle, Bar Handle and Custom Panel models only
Special Features	Duo-Flex Silverware Basket, SpeedPerfect™
Efficiency and Capacity	
Water usage per cycle	2.9
Energy efficiency class	Tier 1
ENERGY STAR® qualified	Yes
Total annual energy / water consumption	259 kWh / 624 g
Number of place settings	16
Technical Data	
Watts (W)	1300 W
Current (A) / Volts (V) / Frequency (Hz)	12 A / 120 V / 60 Hz
Power cord length	56 5/16"
Minimum water pressure (lb / sin)	14
Length inlet / outlet hose (in)	60" / 79"
Dimensions & Weight	
Overall appliance dimensions (HxWxD) (in)	33 7/8" x 23 9/16" x 23 3/4"
Required cutout size (HxWxD) (in)	33 7/8" x 23 5/8" x 24"
Adjustable feet	Yes
Net weight (lbs)	95 lbs

#### Optional Accessories

SGZ9091UC  
Softener Salt (4.4 lbs)

SGZ1010UC  
Supply and Drainage  
Hose Extension 76 3/4"

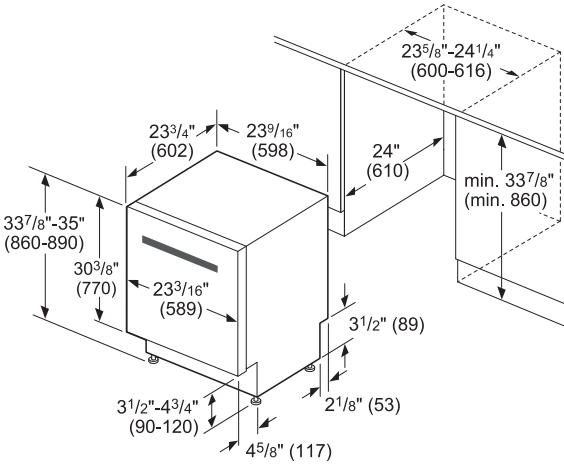
SMZPC002UC  
3-Prong Power Cord  
66 7/8"

SMZ5000  
Accessory Kit

SMZ5002UC  
Anti-Tarnish Silverware Cassette

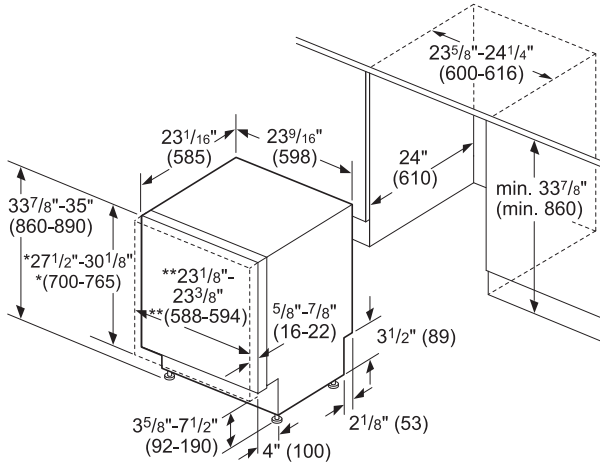
# 800 Plus Series Dishwashers

### Dimensions and Cutout



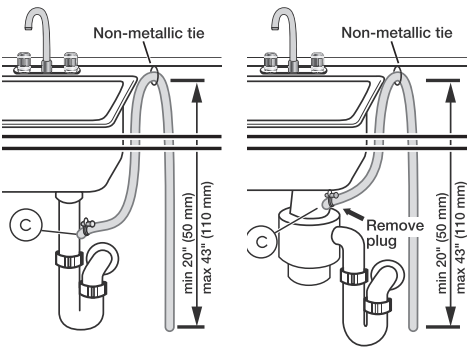
measurements in inches (mm)

### Custom Panel - Dimensions and Cutout



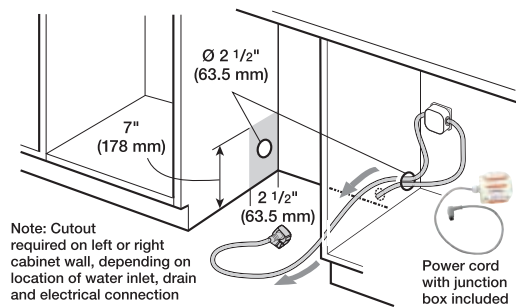
\* measured from the bottom edge of the countertop panel thickness recommended 3/4" (20 mm), panel weight 7-22 lbs (3-10 kg)  
 \*\* 24" (610 mm) wide panel may be used depending on cabinet design  
 Note: Refer to installation template for mounting hardware locations  
 measurements in inches (mm)

### Plumbing

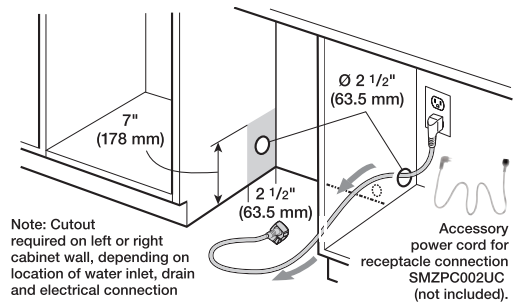


Note: Plumbing installations will vary - refer to local codes.  
 Drain hose included is 79 (201 cm) and can be extended to a maximum of 155 3/4" (396 cm).  
 Always use the approved drain hose extension kit (SGZ1010UC).  
 Ensure a portion of the drain hose is raised between min. 20" (50 cm) and max. 43" (110 cm) above the cabinet floor.

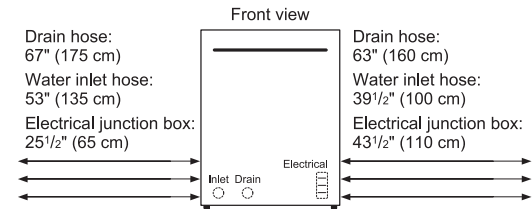
### Example of Hardwire Installation



### Example of Electrical Receptacle Installation

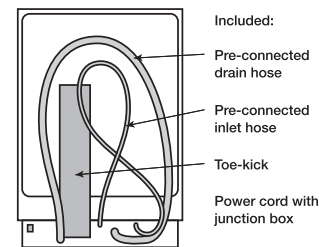


### Water and Electrical Locations



All connections are at the rear of the appliance.  
 Extension for drain hose available as accessory.  
 Power cord for connection to electrical outlet (3-prong plug) available as accessory.

### Included Parts & Accessories



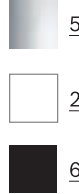


# 18-Inch ADA Special Application Dishwashers

Available November 2014,  
Images shown are not final



- 18-Inch ADA** • 46 dBA  
**SPE5ES55UC** • 4 Cycles / 3 Options  
**SPX5ES55UC** • Water Softener  
**SPV5ES53UC** • 24/7 AquaStop® Plus



- 18-Inch ADA** • 46 dBA  
**300 Series** • + 4 Cycles / 4 Options  
**\*SPE53U5\_UC** • Water Softener  
 • 24/7 AquaStop® Plus

Available November 2014,  
Images shown are not final



- 18-Inch ADA** • + 44 dBA  
**800 Series** • + 6 Cycles / 5 Options  
**SPE68U55UC** • + Third Rack  
**SPX68U55UC** • + 10 Place Settings  
**SPV68U53UC**

+ Indicates a step-up feature  
 \* Multiple colors available. See color chips to fill in missing digit.

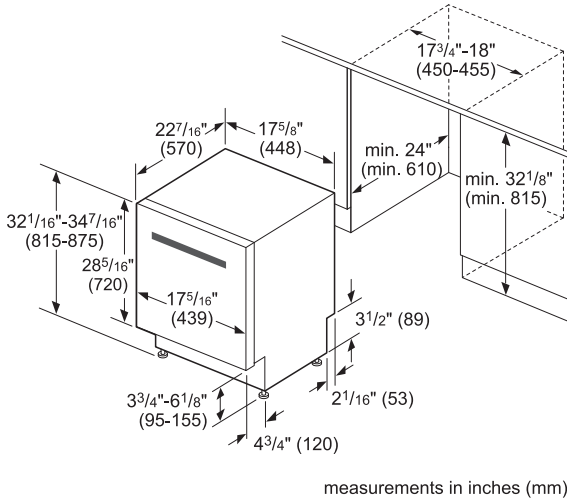
18-Inch ADA	18-Inch ADA 300 Series	18-Inch ADA 800 Series
Recessed Handle – SPE5ES55UC Bar Handle – SPX5ES55UC Custom Panel – SPV5ES53UC	Recessed Handle – SPE53U5_UC	Recessed Handle – SPE68U55UC Bar Handle – SPX68U55UC Custom Panel – SPV68U53UC

General Properties			
Number of wash cycles / options	4 / 3	4 / 4	6 / 5
dBA	46	46	44
Third rack	No	No	Standard
Rack adjustability	RackMatic®	RackMatic®	RackMatic®
Tub material	Stainless steel	Stainless steel	Stainless steel
Control type	Buttons	Buttons	Buttons
Concealed heating element	Yes	Yes	Yes
Leak protection system	24/7 AquaStop® Plus	24/7 AquaStop® Plus	24/7 AquaStop® Plus
Water softener	Yes	Yes	Yes
Five-level wash	Yes	Yes	Yes
ChildLock	Recessed Handle model only	Yes	Recessed Handle model only
InfoLight®	Bar Handle / Custom Panel only	N/A	Bar Handle / Custom Panel only
Special Features	Made in Germany, Flexible Silverware Basket	Made in Germany, Flexible Silverware Basket	Made in Germany, Flexible Silverware Basket
Efficiency and Capacity			
Water usage per cycle	3.0	3.0	3.0
Energy efficiency class	Tier 1	Tier 1	Tier 1
Energy Star® qualified	Yes	Yes	Yes
Total annual energy / water consumption	259 kWh / 645 g	259 kWh / 645 g	259 kWh / 645 g
Number of place settings	9	9	10
Technical Data			
Watts (W)	1300 W	1300 W	1300 W
Current (A) / Volts (V) / Frequency (Hz)	12 A / 120 V / 60 Hz	12 A / 120 V / 60 Hz	12 A / 120 V / 60 Hz
Power cord length	47 1/4"	47 1/4"	47 1/4"
Minimum water pressure (lb / sin)	7	7	7
Length inlet / outlet hose (in)	55" / 88 5/8"	55" / 88 5/8"	55" / 88 5/8"
Dimensions & Weight			
ADA Compliant	Yes	Yes	Yes
Overall appliance dimensions (HxWxD) (in)	32 1/16" x 17 5/8" x 22 9/16"	32 1/16" x 17 5/8" x 22 9/16"	32 1/16" x 17 5/8" x 22 9/16"
Required cutout size (HxWxD) (in)	32 1/16" x 17 3/4" X 24"	32 1/16" x 17 3/4" X 24"	32 1/16" x 17 3/4" X 24"
Adjustable feet	Yes	Yes	Yes
Net weight (lbs)	72 lbs	72 lbs	72 lbs

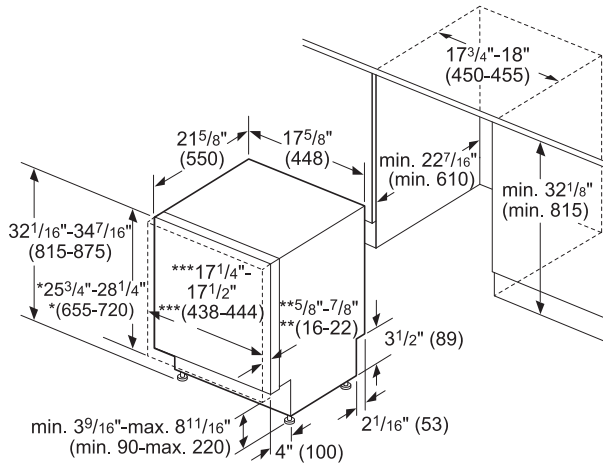
Optional Accessories			
SGZ9091UC Softener Salt (4.4 lbs)	SGZ1010UC Supply and Drainage Hose Extension 76 3/4"	SMZ5000 Accessory Kit	SMZ5003 Hinge for 4" Toekick Height Installation

# 18-Inch ADA Special Application Dishwashers

## Dimensions and Cutout

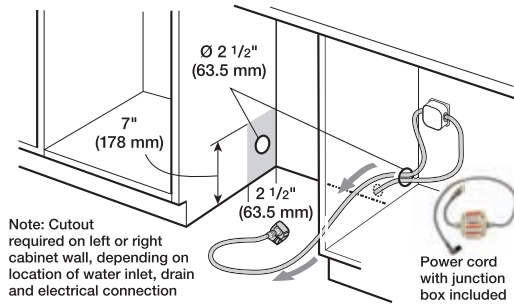


## Custom Panel – Dimensions and Cutout

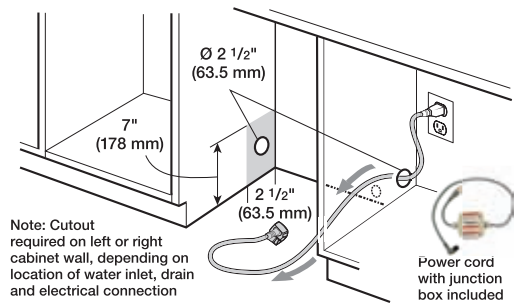


\* measured from the bottom edge of the countertop panel  
 \*\* panel weight 6-16 lb (2.5-7.5 kg)  
 \*\*\* 18" (450 mm) wide panel may be used depending on cabinet design  
 Note: Refer to installation template for mounting hardware locations

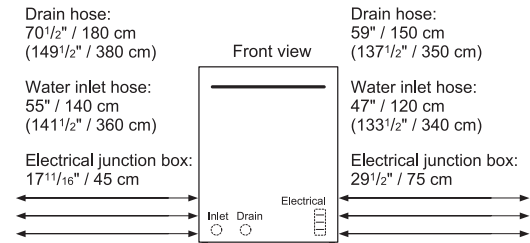
## Example of Hardwire Installation



## Example of Electrical Receptacle Installation

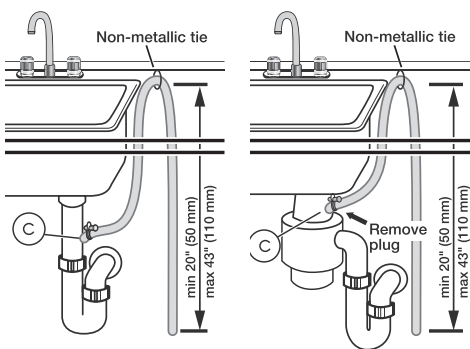


## Water and Electrical Locations



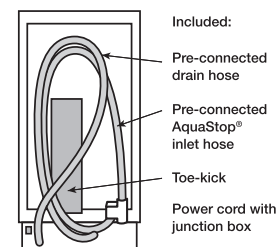
All connections at the rear of the appliance.  
 ( ) values with extension kit.

## Plumbing



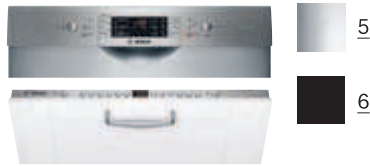
Note: Plumbing installations will vary - refer to local codes.  
 Drain hose included is 88 5/8" (225 cm) and can be extended to a maximum of 165 3/8" (420 cm).  
 Always use the approved drain hose extension kit (SGZ1010UC).  
 Ensure a portion of the drain hose is raised between min. 20" (50 cm) and max. 43" (110 cm) above the cabinet floor.

## Included Parts & Accessories



# 24-Inch ADA Special Application Dishwashers

Available November 2014,  
Images shown are not final



Available November 2014,  
Images shown are not final



- 24-Inch ADA** • 49 dBA  
**\*SGE63E1\_UC** • 6 Cycles / 5 Options  
**SGV63E03UC** • Water Softener  
 • 24/7 AquaStop® Plus

- 24-Inch ADA** + 46 dBA  
**300 Series** • 4 Cycles / 4 Options  
**\*SGE53U5\_UC** • Water Softener  
 • 24/7 AquaStop® Plus

- 24-Inch ADA** + 44 dBA  
**800 Series** + 6 Cycles / 5 Options  
**SGE68U55UC** + Third Rack – 10  
**SGX68U55UC** Place Settings  
**SGV68U53UC**

+ Indicates a step-up feature  
 \* Multiple colors available. See color chips to fill in missing digit.

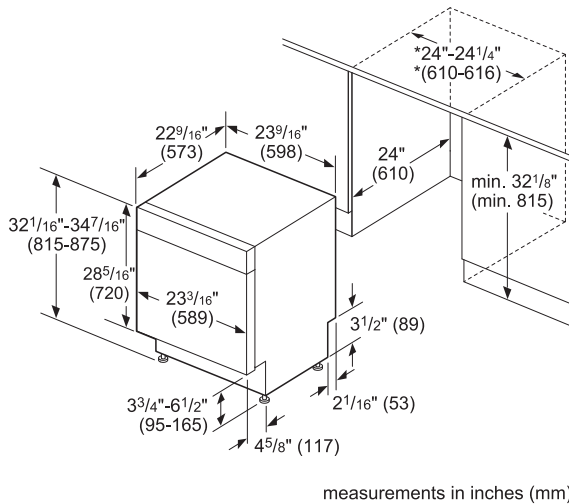
24-Inch ADA	24-Inch ADA 300 Series	24-Inch ADA 800 Series
Recessed Handle – SGE63E1_UC Custom Panel – SGV63E03UC	Recessed Handle – SGE53U5_UC	Recessed Handle – SGE68U55UC Bar Handle – SGX68U55UC Custom Panel – SGV68U53UC

General Properties			
Number of wash cycles / options	6 / 5	4 / 4	6 / 5
dBA	49	46	44
Third rack	No	No	Yes
Rack adjustability	Manual	RackMatic®	RackMatic®
Tub material	Stainless steel	Stainless steel	Stainless steel
Control type	Buttons	Buttons	Buttons
Concealed heating element	Yes	Yes	Yes
Leak protection system	24/7 AquaStop® Plus	24/7 AquaStop® Plus	24/7 AquaStop® Plus
Water softener	Yes	Yes	Yes
Five-level wash	Yes	Yes	Yes
ChildLock	Recessed Handle model only	Yes	Recessed Handle model only
InfoLight®	Custom Panel only	N/A	Bar Handle / Custom Panel only
Special Features	Made in Germany, Flexible Silverware Basket	Made in Germany, Flexible Silverware Basket	Made in Germany, Flexible Silverware Basket
Efficiency and Capacity			
Water usage per cycle	2.2	2.2	2.2
Energy efficiency class	Tier 1	Tier 1	Tier 1
ENERGY STAR® qualified	Yes	Yes	Yes
Total annual energy / water consumption	234 kWh / 477 g	234 kWh / 477 g	234 kWh / 477 g
Number of place settings	14	14	14
Technical Data			
Watts (W)	1300 W	1300 W	1300 W
Current (A) / Volts (V) / Frequency (Hz)	12 A / 120 V / 60 Hz	12 A / 120 V / 60 Hz	12 A / 120 V / 60 Hz
Power cord length	47 1/4"	47 1/4"	47 1/4"
Minimum water pressure (lb / sin)	7	7	7
Length inlet / outlet hose (in)	55" / 88 5/8"	55" / 88 5/8"	55" / 88 5/8"
Dimensions & Weight			
ADA Compliant	Yes	Yes	Yes
Overall appliance dimensions (HxWxD) (in)	32 1/16" x 23 9/16" x 22 9/16"	32 1/16" x 23 9/16" x 22 9/16"	32 1/16" x 23 9/16" x 22 9/16"
Required cutout size (HxWxD) (in)	32 1/16" x 24" x 24"	32 1/16" x 24" x 24"	32 1/16" x 24" x 24"
Adjustable feet	Yes	Yes	Yes
Net weight (lbs)	83 lbs	83 lbs	83 lbs

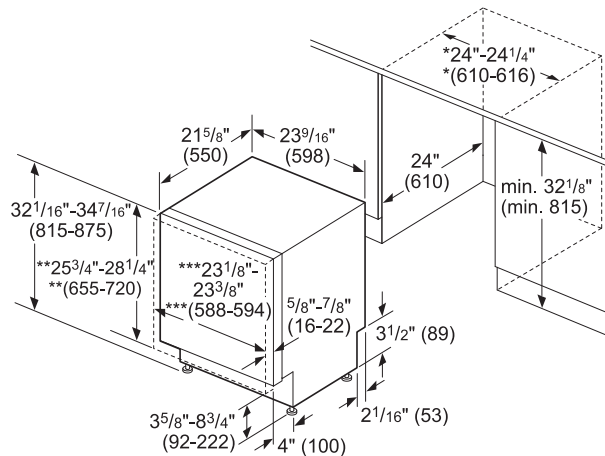
Optional Accessories			
SGZ9091UC Softener Salt (4.4 lbs)	SGZ1010UC Supply and Drainage Hose Extension 76 3/4"	SMZ5000 Accessory Kit	SMZ5002UC Anti-tarnish Silverware Cassette

# 24-Inch ADA Special Application Dishwashers

## Dimensions and Cutout

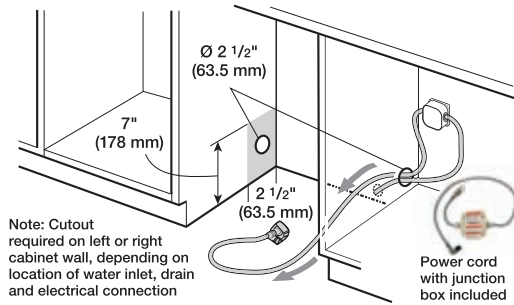


## Custom Panel - Dimensions and Cutout

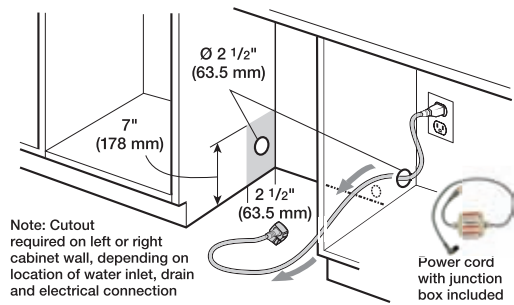


\* 23<sup>5</sup>/<sub>8</sub>" (600 mm) without decor strips  
 \*\* measured from the bottom edge of the countertop panel thickness recommended 3/4" (20 mm), panel weight 6-18 lbs (2.5-8.5 kg)  
 \*\*\* 24" (610 mm) wide panel may be used depending on cabinet design  
 Note: Refer to installation template for mounting hardware locations  
 measurements in inches (mm)

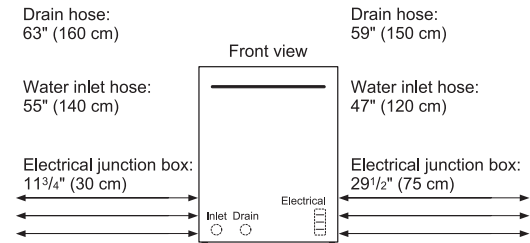
## Example of Hardwire Installation



## Example of Electrical Receptacle Installation

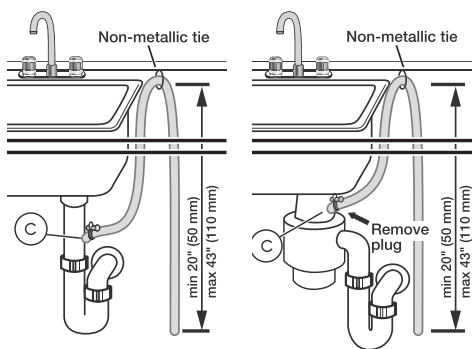


## Water and Electrical Locations



All connections are at the rear of the appliance.  
 Extension for drain hose available as accessory.  
 Power cord for connection to electrical outlet (3-prong plug) available as accessory.

## Plumbing



Note: Plumbing installations will vary - refer to local codes.  
 Drain hose included is 88 5/8" (225 cm) and can be extended to a maximum of 165 3/8" (420 cm).  
 Always use the approved drain hose extension kit (SGZ1010UC).  
 Ensure a portion of the drain hose is raised between min. 20" (50 cm) and max. 43" (110 cm) above the cabinet floor.

## Included Parts & Accessories

