

# Dishwashers

**Sleek, flush European styling with a design for everyone.**



Bosch designers believe that form must always be balanced with function. Whether it's a new way to load your silverware and bulky items, or a seamless look with cabinets through our ultra-flush installation, our commitment to purposeful design is clear.

Our German-engineered dishwashers incorporate 18 unique sound reducing technologies, making Bosch the quietest dishwasher brand in the U.S.\* with every quiet level certified by an independent lab. With our innovative third rack, your cutlery, whisks, tongs, and other odd utensils have a place all their own, allowing for 30% more loading area.\*\*

\*Based on an average of sound ratings of 24" Full Size Stainless Steel Tub dishwashers contained in major brands websites. Major brands defined as TraQline Top 5 Market Share December 2014. \*\*Compared to a Bosch dishwasher with two racks.



**“Highest in Customer Satisfaction with Dishwashers”\***

\*Bosch received the highest numerical score for dishwashers in the proprietary J.D. Power 2015 Kitchen Appliance Study<sup>SM</sup>. Study based on 19,778 total responses measuring 17 dishwasher brands and measures opinions of consumers about their new appliance purchased in the past 24 months. Proprietary study results are based on experiences and perceptions of consumers surveyed in January–February 2015. Your experiences may vary. Visit [jdpower.com](http://jdpower.com).

# Benchmark® Dishwashers

A place for everything,  
and everything in its well-designed place.



### Quietest Brand

The number one feature homeowners look for in a dishwasher is quietness, and our ingenious German engineering makes Bosch the quietest dishwasher brand in the U.S.\* In fact, our dishwashers are so quiet, we've added an InfoLight® or TimeLight® to let you know a cycle is running.



### Three Racks of Flexible Loading Space

Expandable wings on our flexible third rack provide extra room for ramekins, measuring cups and extra-large utensils. Adjustable tines lower to fit awkward, bulky items while our third rack's unique v-shape accommodates the loading of extra tall stemware in the middle rack.



### Flush and Easy Installation

Our full size tub can be installed perfectly flush to cabinetry. And, new Bosch dishwashers come with a pre-connected heavy-duty braided water inlet hose, as well as a power cord with attached junction box for easy installation.



### Most Awarded Dishwasher Brand Worldwide

Bosch dishwashers have won more awards than any other dishwasher brand.\*\*



\*Based on an average of sound ratings of 24" Full Size Stainless Steel Tub dishwashers contained in major brands websites. Major brands defined as TraQline Top 5 Market Share December 2014. \*\*According to 2014 worldwide count of "best in test" ratings from comparative dishwasher tests.



# Benchmark® Dishwashers



## Benchmark® \*SHE7PT5\_UC SHP7PT55UC SHX7PT55UC SHV7PT53UC

- 42 dBA
- Flexible Third Rack
- Water Softener
- TimeLight®



## Benchmark® SHE8PT55UC SHX8PT55UC SHV8PT53UC

- + 40 dBA
- + Interior Light
- + SteelTouch™ Control

+ Indicates a step-up feature

\* Multiple colors available. See color chips to fill in missing digit.

Recessed Handle – SHE7PT5\_UC  
Pocket Handle – SHP7PT55UC  
Bar Handle – SHX7PT55UC  
Custom Panel – SHV7PT53UC

Recessed Handle – SHE8PT55UC  
Bar Handle – SHX8PT55UC  
Custom Panel – SHV8PT53UC

General Properties		
Number of wash cycles / options	6 / 5	6 / 5
dBA	42	40
Third Rack	Flexible	Flexible
Rack Adjustability	RackMatic®	RackMatic®
Tub material	Stainless steel	Stainless steel
Control Type	Touch Control	SteelTouch™ Control
Concealed heating element	Yes	Yes
Leak protection system	24/7 AquaStop®	24/7 AquaStop®
Water softener	Yes	Yes
Five-level wash	Yes	Yes
ChildLock	Recessed Handle model only	No
TFT display	No	Recessed Handle model only
InfoLight®	No	Bar Handle and Custom Panel models only
TimeLight®	Pocket Handle, Bar Handle and Custom Panel models only	No
Special Features	DoubleFlex Silverware Basket, SpeedPerfect®	Interior Light, DoubleFlex Silverware Basket, SpeedPerfect®
Efficiency and Capacity		
Water usage per cycle	2.9	2.9
Energy efficiency class	Tier 1	Tier 1
ENERGY STAR® qualified	Yes	Yes
Total annual energy / water consumption	259 kWh / 624 g	259 kWh / 624 g
Number of place settings	16	16
Technical Data		
Watts (W)	1300 W	1300 W
Current (A) / Volts (V) / Frequency (Hz)	12 A / 120 V / 60 Hz	12 A / 120 V / 60 Hz
Power cord length	56 5/16"	56 5/16"
Minimum water pressure (lb / sin)	14	14
Length inlet / outlet hose (in)	60" / 79"	60" / 79"
Dimensions & Weight		
Overall appliance dimensions (HxWxD) (in)	33 7/8" x 23 9/16" x 23 3/4"	33 7/8" x 23 9/16" x 23 7/8"
Required cutout size (HxWxD) (in)	33 7/8" x 23 5/8" x 24"	33 7/8" x 23 5/8" x 24"
Adjustable feet	Yes	Yes
Net weight (lbs)	95 / 95 / 95 / 92 lbs	109 / 110 / 92 lbs

### Optional Accessories

SGZ9091UC  
Softener Salt (4.4 lbs)

SGZ1010UC  
Supply and Drainage  
Hose Extension 76 3/4"

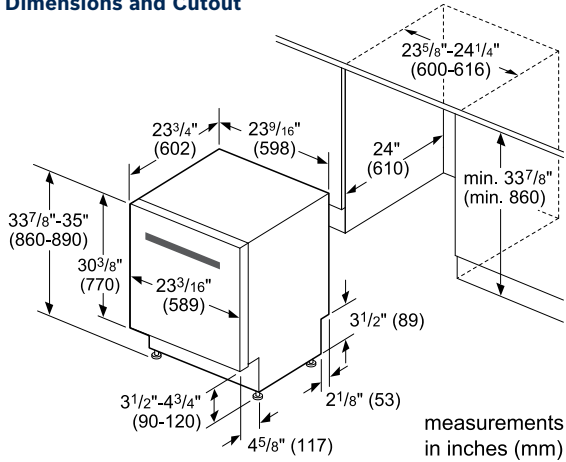
SMZ5000  
Accessory Kit

SMZ5002UC  
Anti-Tarnish  
Silverware Cassette

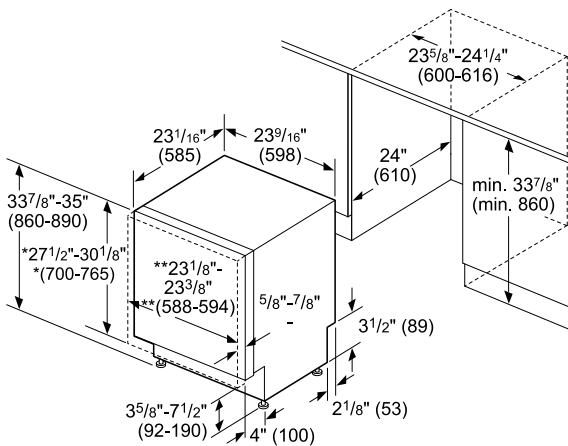
SMZPC002UC  
3-Prong Power Cord  
66 7/8"

# Benchmark® Dishwashers

## Dimensions and Cutout



## Custom Panel – Dimensions and Cutout



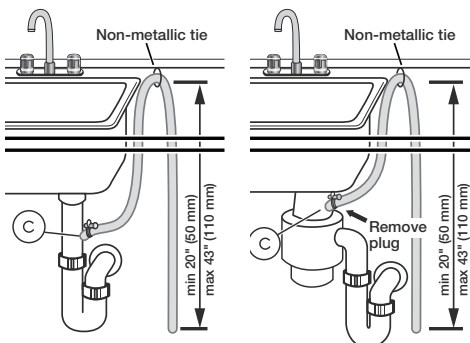
\* measured from the bottom edge of the countertop panel thickness recommended 3/4" (20 mm).

This dishwasher can accept custom door panel weights ranging from 7 to 24 lbs; however, the dishwasher comes from the factory ready for custom panel door weights from 11 to 18 lbs. If you plan on using a door panel that is not 11 to 18 lbs. please contact customer service at (800) 944-2904.

\*\* 24" (610 mm) wide panel may be used depending on cabinet design

Note: Refer to installation template for mounting hardware locations measurements in inches (mm)

## Plumbing

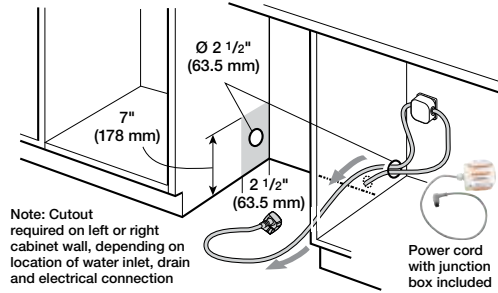


Note: Plumbing installations will vary - refer to local codes. Drain hose included is 79 (201 cm) and can be extended to a maximum of 155 3/4" (396 cm).

Always use the approved drain hose extension kit (SGZ1010UC).

Ensure a portion of the drain hose is raised between min. 20" (50 cm) and max. 43" (110 cm) above the cabinet floor.

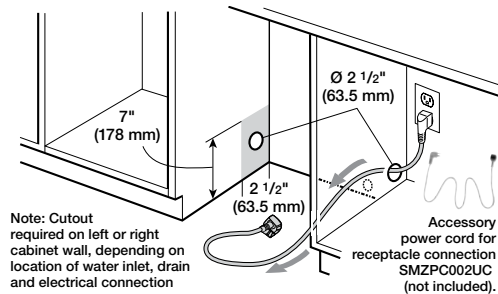
## Example of Hardwire Installation



Note: Cutout required on left or right cabinet wall, depending on location of water inlet, drain and electrical connection

Power cord with junction box included

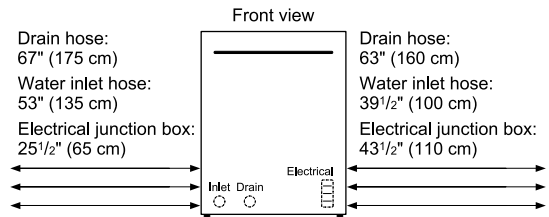
## Example of Electrical Receptacle Installation



Note: Cutout required on left or right cabinet wall, depending on location of water inlet, drain and electrical connection

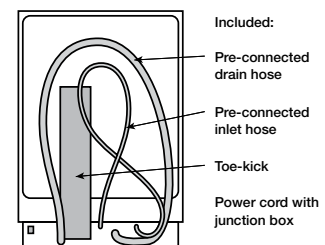
Accessory power cord for receptacle connection SMZPC002UC (not included).

## Water and Electrical Locations



All connections are at the rear of the appliance. Extension for drain hose available as accessory. Power cord for connection to electrical outlet (3-prong plug) available as accessory.

## Included Parts & Accessories



# Benchmark® Dishwashers



**Benchmark®**  
**SHE9PT55UC**  
**SHX9PT55UC**  
**SHV9PT53UC**

- + 39 dBA
- + 239 kWh / Year
- + Alternating Tines
- + 24/7 AquaStop® Plus
- Pairs well with European size cabinetry



**Benchmark®**  
**SHX9PT75UC**

- + 38 dBA
- Pairs well with European size cabinetry

+ Indicates a step-up feature

Recessed Handle – SHE9PT55UC  
 Bar Handle – SHX9PT55UC  
 Custom Panel – SHV9PT53UC

Bar Handle – SHX9PT75UC

General Properties		
Number of wash cycles / options	6 / 5	6 / 5
dBA	39	38
Third Rack	Flexible	Flexible
Rack Adjustability	RackMatic®	RackMatic®
Tub material	Stainless steel	Stainless steel
Control Type	SteelTouch™ Control	SteelTouch™ Control
Concealed heating element	Yes	Yes
Leak protection system	24/7 AquaStop® Plus	24/7 AquaStop® Plus
Water softener	Yes	Yes
Five-level wash	Yes	Yes
ChildLock	Recessed Handle model only	No
TFT display	Recessed Handle model only	No
InfoLight®	Bar Handle and Custom Panel models only	Yes
Special Features	Made in Germany, Interior Light, Alternating Folding Tines, Flexible Silverware Basket, SpeedPerfect®	Made in Germany, Interior Light, Alternating Folding Tines, Flexible Silverware Basket, SpeedPerfect®
Efficiency and Capacity		
Water usage per cycle	2.2	2.2
Energy efficiency class	Tier 1	Tier 1
ENERGY STAR® qualified	Yes	Yes
Total annual energy / water consumption	239 kWh / 624 g	239 kWh / 624 g
Number of place settings	15	15
Technical Data		
Watts (W)	1300 W	1300 W
Current (A) / Volts (V) / Frequency (Hz)	12 A / 120 V / 60 Hz	12 A / 120 V / 60 Hz
Power cord length	63"	63"
Minimum water pressure (lb / sin)	7	7
Length inlet / outlet hose (in)	55" / 88 5/8"	55" / 88 5/8"
Dimensions & Weight		
Overall appliance dimensions (HxWxD) (in)	34 1/8" x 23 9/16" x 22 7/16"	34 1/8" x 23 9/16" x 22 7/16"
Required cutout size (HxWxD) (in)	34 1/8" x 24" x 24"	34 1/8" x 24" x 24"
Net weight (lbs)	118 / 121 / 113 lbs	120 lbs

#### Optional Accessories

SGZ9091UC  
Softener Salt (4.4 lbs)

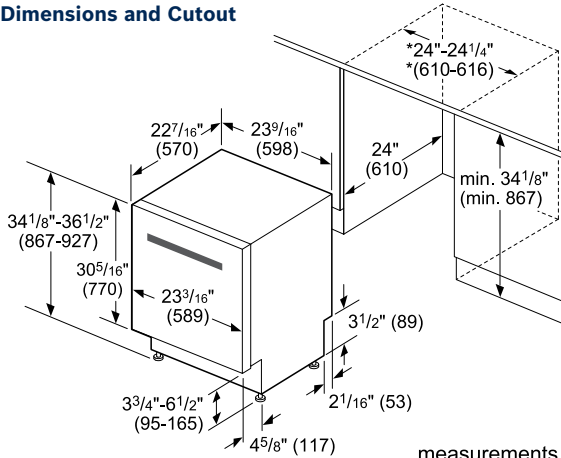
SGZ1010UC  
Supply and Drainage  
Hose Extension 76 3/4"

SMZ5000  
Accessory Kit

SMZ5002UC  
Anti-Tarnish  
Silverware Cassette

# Benchmark® Dishwashers

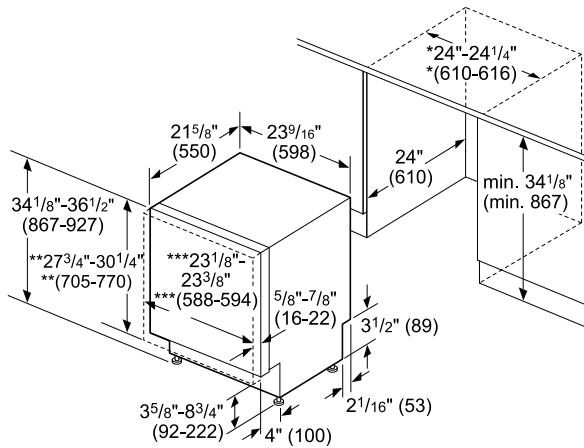
## Dimensions and Cutout



\*23 5/8" (600) without decor strips

measurements in inches (mm)

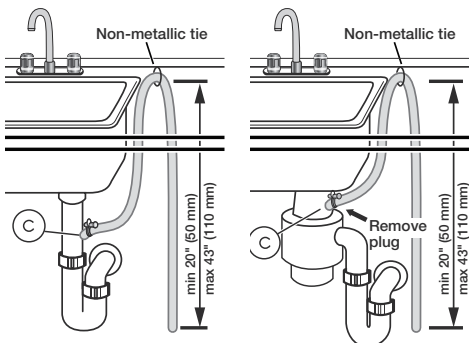
## Custom Panel – Dimensions and Cutout



\* 23 5/8" (600 mm) without decor strips  
 \*\* measured from the bottom edge of the countertop panel thickness recommended 3/4" (20 mm).  
 This dishwasher can accept custom door panel weights ranging from 7 to 24 lbs; however, the dishwasher comes from the factory ready for custom panel door weights from 11 to 18 lbs.  
 If you plan on using a door panel that is not 11 to 18 lbs. please contact customer service at (800) 944-2904.

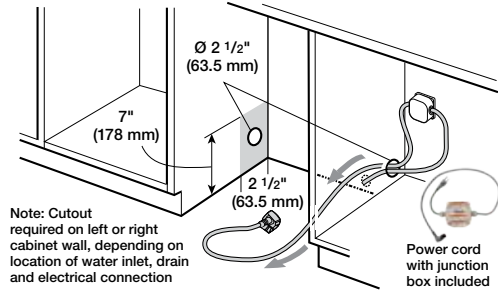
\*\*\* 24" (610 mm) wide panel may be used depending on cabinet design  
 Note: Refer to installation template for mounting hardware locations  
 measurements in inches (mm)

## Plumbing



Note: Plumbing installations will vary - refer to local codes.  
 Drain hose included is 88 5/8" (225 cm) and can be extended to a maximum of 165 3/8" (420 cm).  
 Always use the approved drain hose extension kit (SGZ1010UC).  
 Ensure a portion of the drain hose is raised between min. 20" (50 cm) and max. 43" (110 mm) above the cabinet floor.

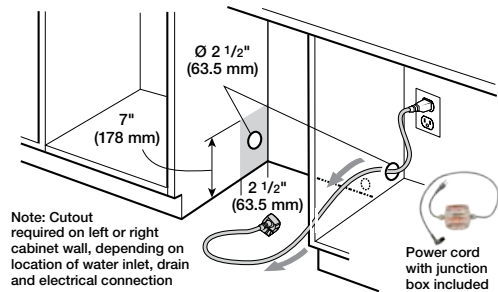
## Example of Hardwire Installation



Note: Cutout required on left or right cabinet wall, depending on location of water inlet, drain and electrical connection

Power cord with junction box included

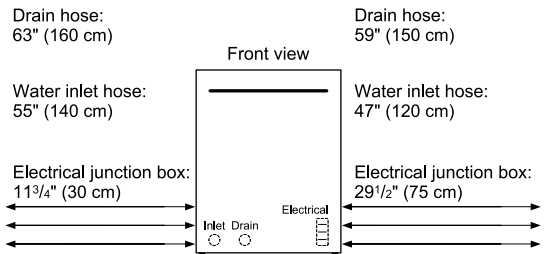
## Example of Electrical Receptacle Installation



Note: Cutout required on left or right cabinet wall, depending on location of water inlet, drain and electrical connection

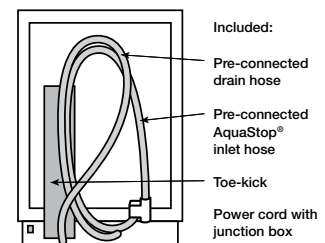
Power cord with junction box included

## Water and Electrical Locations



All connections are at the rear of the appliance.  
 Extension for drain hose available as accessory.  
 Power cord for connection to electrical outlet (3-prong plug) available as accessory.

## Included Parts & Accessories





# Ascenta® Dishwashers



**Ascenta®** • 50 dBA  
**\*SHE3AR7\_UC** • 6 Cycles / 2 Options  
**\*SHX3AR7\_UC** • Racks with Manual Height Adjustment



**Ascenta®** + 46 dBA  
**\*SHS5AV5\_UC** + RackMatic® Height Adjustable System  
**\*SHX5AV5\_UC** + InfoLight®



**Ascenta® DLX** + 5 Cycles / 5 Options  
**\*SHS5AVL\_UC** + ExtraScrub option  
**SHX5AVL5UC**

+ Indicates a step-up feature

\* Multiple colors available. See color chips to fill in missing digit.

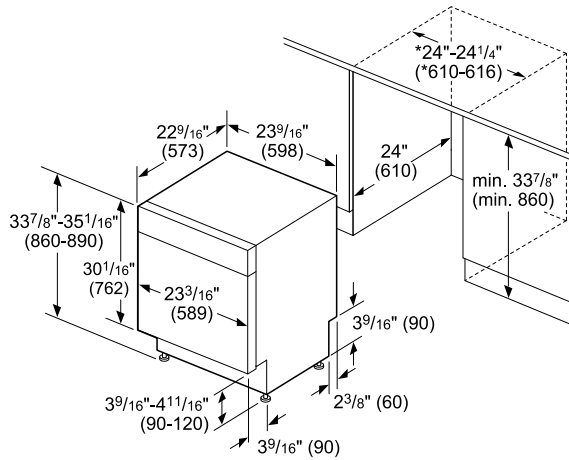
Ascenta®	Ascenta®	Ascenta® DLX
Recessed Handle – SHE3AR7_UC Bar Handle – SHX3AR7_UC	Scoop Handle – SHS5AV5_UC Bar Handle – SHX5AV5_UC	Scoop Handle – SHS5AVL_UC Bar Handle – SHX5AVL5UC

General Properties			
Number of wash cycles / options	6 / 2	Scoop Handle: 6 / 2 Bar Handle: 5 / 4	5 / 5
dBA	50	46	46
Third rack	No	No	No
Rack adjustability	Manual	RackMatic®	RackMatic®
Tub material	Stainless steel / polypropylene	Stainless steel / polypropylene	Stainless steel / polypropylene
Control type	Buttons	Buttons	Buttons
Concealed heating element	Yes	Yes	Yes
Leak protection system	24/7 Overflow Protection	24/7 Overflow Protection	24/7 Overflow Protection
Water softener	No	No	No
Five-level wash	Yes	Yes	Yes
ChildLock	Recessed Handle model only	No	No
TFT Display	No	No	No
InfoLight®	No	Yes	Yes
Special features	Sanitize	InfoLight®	ExtraScrub option
Efficiency and Capacity			
Water usage per cycle	2.95	3.2	3.2
Energy efficiency class	Tier 1	Tier 1	Tier 1
ENERGY STAR® qualified	Yes	Yes	Yes
Total annual energy / water consumption	269 kWh / 634 g	269 kWh / 688 g	269 kWh / 688 g
Number of place settings	14	14	14
Technical Data			
Watts (W)	1400 W	1300 W	1300 W
Current (A) / Volts (V) / Frequency (Hz)	12 A / 120 V / 60 Hz	12 A / 120 V / 60 Hz	12 A / 120 V / 60 Hz
Power cord length	N/A	N/A	N/A
Minimum water pressure (lb / sin)	15	15	15
Length inlet / outlet hose (in)	N/A / 91 3/4"	N/A / 90 1/2"	N/A / 90 1/2"
Dimensions & Weight			
Overall appliance dimensions (HxWxD) (in)	33 7/8" x 23 9/16" x 22 9/16"	33 7/8" x 23 9/16" x 22 9/16"	33 7/8" x 23 9/16" x 22 9/16"
Required cutout size (HxWxD) (in)	33 7/8" x 24" x 24"	33 7/8" x 25 5/8" x 24"	33 7/8" x 25 5/8" x 24"
Adjustable feet	Yes	Yes	Yes
Net weight (lbs)	69 / 71 lbs	68 / 69 lbs	68 / 69 lbs

Optional Accessories				
SGZ1010UC Supply and Drainage Hose Extension 76 3/4"	SGZPC001UC 3-Prong Power Cord 55 1/4"	SGZ1052UC Accessory Kit	SMZ4000UC DoubleFlex Silverware Basket	SMZ5002UC Anti-Tarnish Silverware Cassette

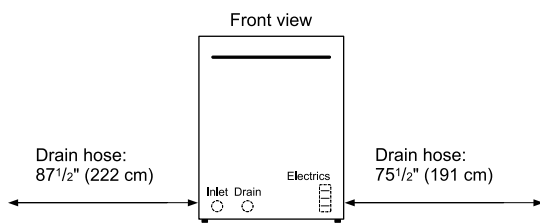
# Ascenta® Dishwashers

## Dimensions and Cutout



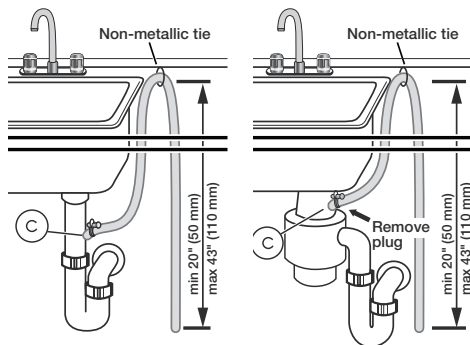
\*23<sup>5</sup>/<sub>8</sub>" (600) without decor strips

## Water and Electrical Locations



The electrical junction box and water inlet are at the front of the appliance, the drain at the rear.

## Plumbing

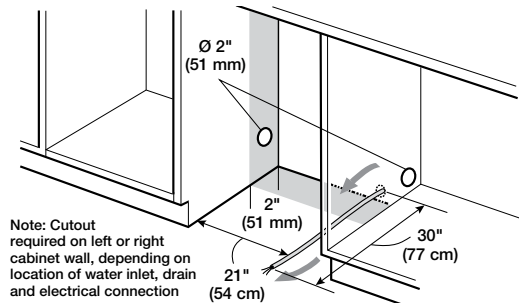


Note: Plumbing installations will vary - refer to local codes. Drain hose included is 91 3/4" (233 cm) and can be extended to a maximum of 168 1/2" (428 cm).

Always use the approved drain hose extension kit (SGZ1010UC).

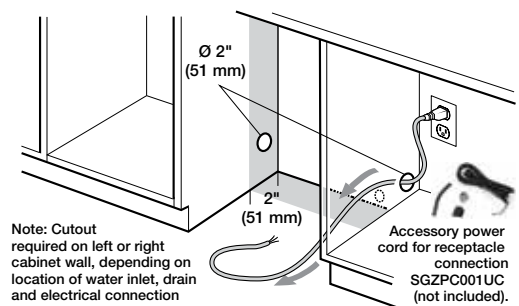
Ensure a portion of the drain hose is raised between min. 20" (50 cm) and max. 43" (110 cm) above the cabinet floor.

## Example of Hardwire Installation



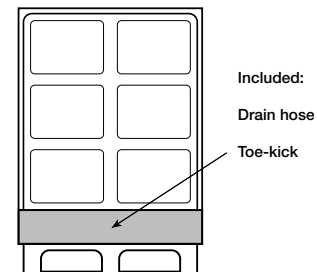
Note: Cutout required on left or right cabinet wall, depending on location of water inlet, drain and electrical connection

## Example of Electrical Receptacle Installation



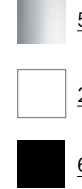
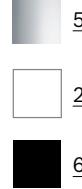
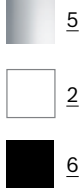
Note: Cutout required on left or right cabinet wall, depending on location of water inlet, drain and electrical connection

## Included Parts & Accessories



Included:  
Drain hose  
Toe-kick

# 300 Series Dishwashers



**300 Series** + 4 Cycles / 4 Options  
**\*SHE53T5\_UC** + 46 dBA  
**SHP53T55UC** + 24/7 AquaStop®  
**SHX53T55UC**  
**SHV53T53UC**

**300 Series DLX** + RackMatic® Height Adjustable System  
**\*SHE53TL\_UC**  
**SHP53TL5UC** + SpeedPerfect®  
**SHX53TL5UC** + 4 Cycles / 5 Options  
**SHV53TL3UC**

**300 Series DLX** + 44 dBA  
**\*SHS63VL\_UC** + 24h Delay Start Timer

+ Indicates a step-up feature

\* Multiple colors available. See color chips to fill in missing digit.

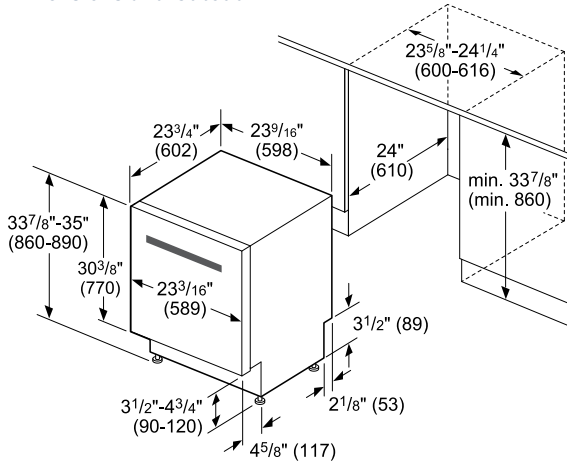
300 Series	300 Series DLX	300 Series DLX
Recessed Handle – SHE53T5_UC Pocket Handle – SHP53T55UC Bar Handle – SHX53T55UC Custom Panel – SHV53T53UC	Recessed Handle – SHE53TL_UC Pocket Handle – SHP53TL5UC Bar Handle – SHX53TL5UC Custom Panel – SHV53TL3UC	Scoop Handle – SHS63VL_UC

General Properties			
Number of wash cycles / options	4 / 4	4 / 5	4 / 5
dBA	46	46	44
Rack adjustability	Manual	RackMatic®	RackMatic®
Tub material	Stainless steel	Stainless steel	Stainless steel
Control type	Buttons	Buttons	Buttons
Concealed heating element	Yes	Yes	Yes
Leak protection system	24/7 AquaStop®	24/7 AquaStop®	24/7 AquaStop®
Five-level wash	Yes	Yes	Yes
ChildLock	Recessed Handle model only	Recessed Handle model only	No
InfoLight®	Pocket Handle, Bar Handle and Custom Panel models only	Pocket Handle, Bar Handle and Custom Panel models only	Yes
Special Features	ExtraShine	SpeedPerfect®	24h Delay Start Timer
Efficiency and Capacity			
Water usage per cycle	2.9	2.9	2.9
Energy efficiency class	Tier 1	Tier 1	Tier 1
ENERGY STAR® qualified	Yes	Yes	Yes
Total annual energy / water consumption	259 kWh / 624 g	259 kWh / 624 g	259 kWh / 624 g
Number of place settings	15	15	15
Technical Data			
Watts (W)	1300 W	1300 W	1300 W
Current (A) / Volts (V) / Frequency (Hz)	12 A / 120 V / 60 Hz	12 A / 120 V / 60 Hz	12 A / 120 V / 60 Hz
Power cord length	56 5/16"	56 5/16"	43 1/2"
Minimum water pressure (lb / sin)	14	14	14
Length inlet / outlet hose (in)	60" / 79"	60" / 79"	53" / 67"
Dimensions & Weight			
Overall appliance dimensions (HxWxD) (in)	33 7/8" x 23 9/16" x 23 3/4"	33 7/8" x 23 9/16" x 23 3/4"	33 7/8" x 23 9/16" x 23 3/4"
Required cutout size (HxWxD) (in)	33 7/8" x 23 5/8" x 24"	33 7/8" x 23 5/8" x 24"	33 7/8" x 23 5/8" x 24"
Adjustable feet	Yes	Yes	Yes
Net weight (lbs)	84 / 84 / 84 / 83 lbs	84 / 84 / 84 / 83 lbs	85 lbs

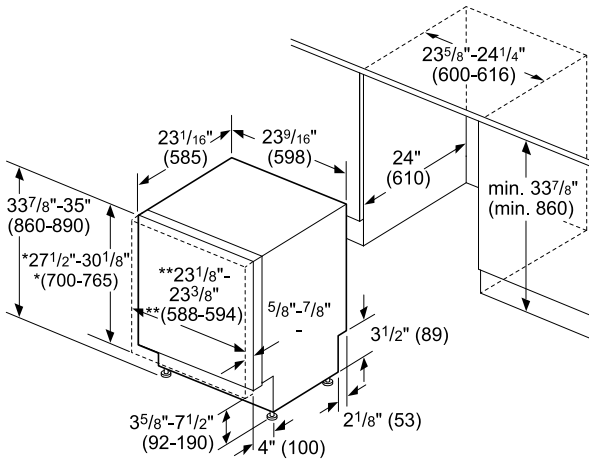
Optional Accessories				
SGZ1010UC Supply and Drainage Hose Extension 76 3/4"	SMZPC002UC 3-Prong Power Cord 66 7/8"	SMZ5000 Accessory Kit	SMZ4000UC DoubleFlex Silverware Basket	SMZ5002UC Anti-Tarnish Silverware Cassette

# 300 Series Dishwashers

## Dimensions and Cutout



## Custom Panel – Dimensions and Cutout



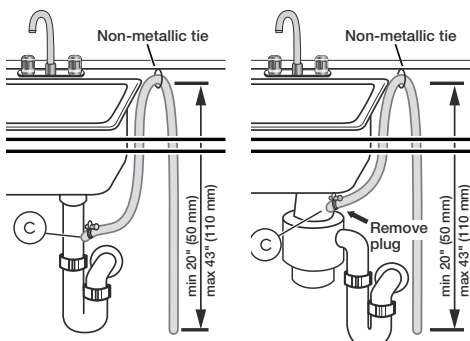
\* measured from the bottom edge of the countertop panel thickness recommended 3/4" (20 mm).

This dishwasher can accept custom door panel weights ranging from 7 to 24 lbs; however, the dishwasher comes from the factory ready for custom panel door weights from 11 to 18 lbs. If you plan on using a door panel that is not 11 to 18 lbs, please contact customer service at (800) 944-2904.

\*\* 24" (610 mm) wide panel may be used depending on cabinet design

Note: Refer to installation template for mounting hardware locations measurements in inches (mm)

## Plumbing

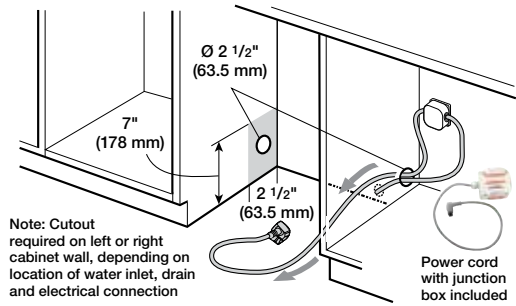


Note: Plumbing installations will vary - refer to local codes. Drain hose included is 79 (201 cm) and can be extended to a maximum of 155 3/4" (396 cm).

Always use the approved drain hose extension kit (SGZ1010UC).

Ensure a portion of the drain hose is raised between min. 20" (50 cm) and max. 43" (110 cm) above the cabinet floor.

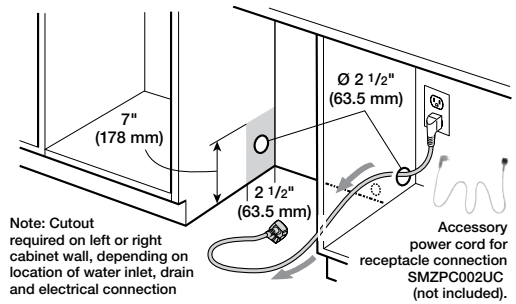
## Example of Hardwire Installation



Note: Cutout required on left or right cabinet wall, depending on location of water inlet, drain and electrical connection

Power cord with junction box included

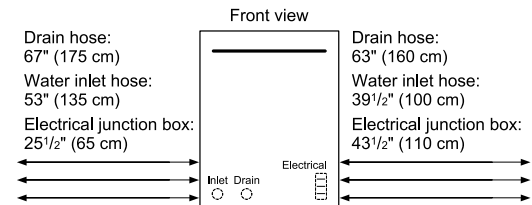
## Example of Electrical Receptacle Installation



Note: Cutout required on left or right cabinet wall, depending on location of water inlet, drain and electrical connection

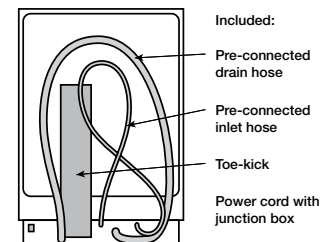
Accessory power cord for receptacle connection SMZPC002UC (not included).

## Water and Electrical Locations

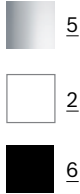


All connections are at the rear of the appliance. Extension for drain hose available as accessory. Power cord for connection to electrical outlet (3-prong plug) available as accessory.

## Included Parts & Accessories

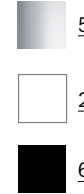


# 500 Series Dishwashers



**500 Series**  
**\*SHE65T5\_UC**  
**\*SHP65T5\_UC**  
**SHX65T55UC**

- + 44 dBA
- + 5 Cycles / 5 Options
- + RackMatic® Height Adjustable System
- + Third Rack – 16 Place Settings



**500 Series DLX**  
**\*SHP65TL\_UC**

- + DoubleFlex Silverware Basket
- + SpeedPerfect®

+ Indicates a step-up feature

\* Multiple colors available. See color chips to fill in missing digit.

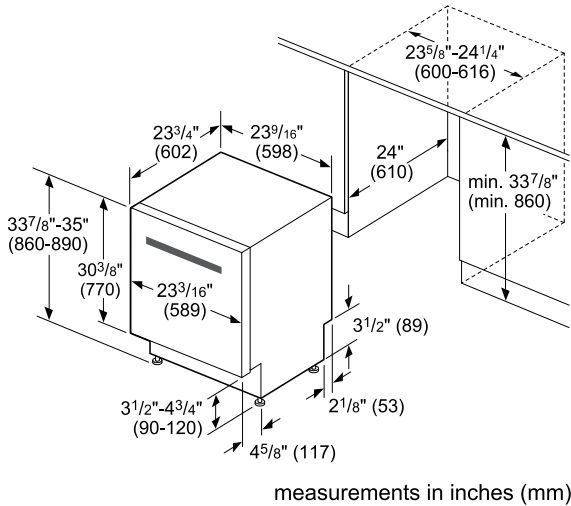
	500 Series	500 Series DLX
	Recessed Handle – SHE65T5_UC Pocket Handle – SHP65T5_UC Bar Handle – SHX65T55UC	Pocket Handle – SHP65TL_UC
<b>General Properties</b>		
Number of wash cycles / options	5 / 5	5 / 5
dBA	44	44
Third rack	Standard	Standard
Rack adjustability	RackMatic®	RackMatic®
Tub material	Stainless steel	Stainless steel
Control type	Buttons	Buttons
Concealed heating element	Yes	Yes
Leak protection system	24/7 AquaStop®	24/7 AquaStop®
Water softener	No	No
Five-level wash	Yes	Yes
ChildLock	Recessed Handle model only	No
TFT Display	No	No
InfoLight®	Pocket Handle and Bar Handle models only	Yes
Special Features	N/A	DoubleFlex Silverware Basket, SpeedPerfect®
<b>Efficiency and Capacity</b>		
Water usage per cycle	2.9	2.9
Energy efficiency class	Tier 1	Tier 1
ENERGY STAR® qualified	Yes	Yes
Total annual energy / water consumption	259 kWh / 624 g	259 kWh / 624 g
Number of place settings	16	16
<b>Technical Data</b>		
Watts (W)	1300 W	1300 W
Current (A) / Volts (V) / Frequency (Hz)	12 A / 120 V / 60 Hz	12 A / 120 V / 60 Hz
Power cord length	56 5/16"	56 5/16"
Minimum water pressure (lb / sin)	14	14
Length inlet / outlet hose (in)	60" / 79"	60" / 79"
<b>Dimensions &amp; Weight</b>		
Overall appliance dimensions (HxWxD) (in)	33 7/8" x 23 9/16" x 23 3/4"	33 7/8" x 23 9/16" x 23 3/4"
Required cutout size (HxWxD) (in)	33 7/8" x 23 5/8" x 24"	33 7/8" x 23 5/8" x 24"
Adjustable feet	Yes	Yes
Net weight (lbs)	91 lbs	91 lbs

#### Optional Accessories

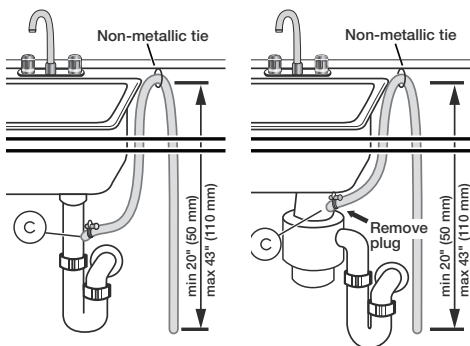
SGZ1010UC Supply and Drainage Hose Extension 76 3/4"	SMZPC002UC 3-Prong Power Cord 66 7/8"	SMZ5000 Accessory Kit	SMZ4000UC DoubleFlex Silverware Basket	SMZ5002UC Anti-Tarnish Silverware Cassette
--	---	--------------------------	---	---

# 500 Series Dishwashers

## Dimensions and Cutout



## Plumbing

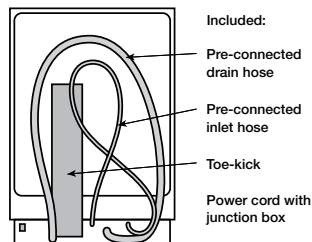


Note: Plumbing installations will vary - refer to local codes. Drain hose included is 79 (201 cm) and can be extended to a maximum of 155 3/4 (396 cm).

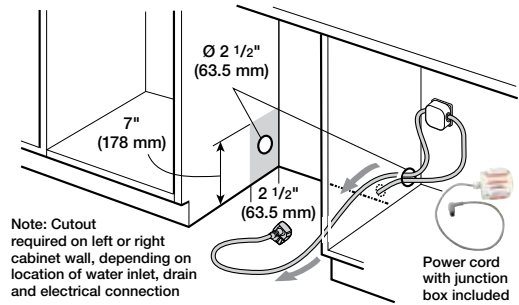
Always use the approved drain hose extension kit (SGZ1010UC).

Ensure a portion of the drain hose is raised between min. 20" (50 cm) and max. 43" (110 cm) above the cabinet floor.

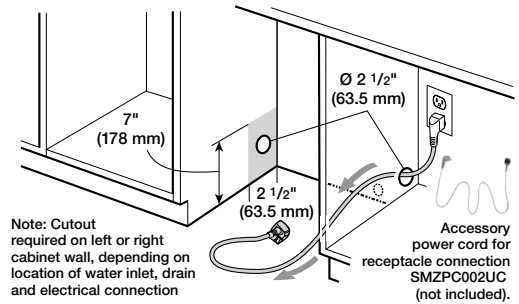
## Included Parts & Accessories



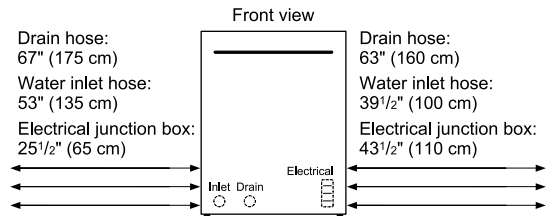
## Example of Hardwire Installation



## Example of Electrical Receptacle Installation



## Water and Electrical Locations



All connections are at the rear of the appliance. Extension for drain hose available as accessory. Power cord for connection to electrical outlet (3-prong plug) available as accessory.

# 800 Series Dishwashers



- 800 Series** + 6 Cycles / 5 Options  
**\*SHE68T5\_UC** + Capacitive Touch Control  
**SHP68T55UC** + Eco Cycle  
**\*SHX68T5\_UC** • Third Rack – 16 Place  
**SHV68T53UC** Settings

- 800 Series** + 40 dBA  
**SHXN8U55UC** + RackMatic® Height  
 Adjustable System  
 + Flexible Third Rack  
 with Folding Tines

- 800 Series DLX** + DoubleFlex  
**SHE68TL5UC** Silverware Basket  
**SHP68TL5UC** + SpeedPerfect®  
**SHX68TL5UC** + 6 Cycles / 6 Options  
**SHV68TL3UC**

+ Indicates a step-up feature

\* Multiple colors available. See color chips to fill in missing digit.

800 Series	800 Series	800 Series DLX
Recessed Handle – SHE68T5_UC Pocket Handle – SHP68T55UC Bar Handle – SHX68T5_UC Custom Panel – SHV68T53UC	Bar Handle – SHXN8U55UC	Recessed Handle – SHE68TL5UC Pocket Handle – SHP68TL5UC Bar Handle – SHX68TL5UC Custom Panel – SHV68TL3UC

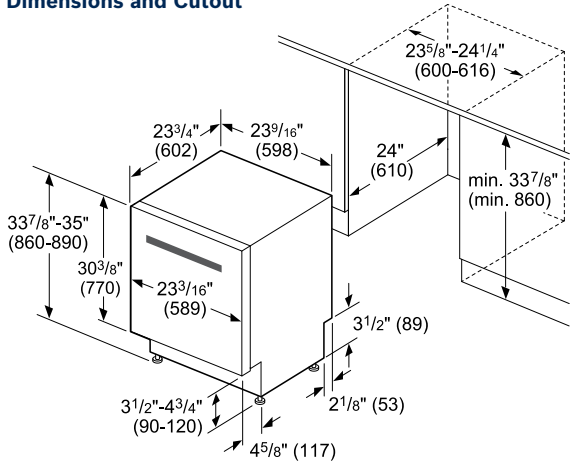
General Properties			
Number of wash cycles / options	6 / 5	6 / 5	6 / 6
dBA	44	40	44
Third rack	Standard	Flexible	Standard
Rack adjustability	RackMatic®	RackMatic®	RackMatic®
Tub Material	Stainless Steel	Stainless Steel	Stainless Steel
Control type	Touch Control	Touch Control	Touch Control
Concealed heating element	Yes	Yes	Yes
Leak protection system	24/7 AquaStop®	24/7 AquaStop®	24/7 AquaStop®
Five-level wash	Yes	Yes	Yes
ChildLock	Recessed Handle model only	No	Recessed Handle model only
InfoLight®	Pocket Handle, Bar Handle and Custom Panel models only	Yes	Pocket Handle, Bar Handle and Custom Panel models only
Special Features	Eco Cycle	InfoLight®	DoubleFlex Silverware Basket, SpeedPerfect®, Eco Cycle
Efficiency and Capacity			
Water usage per cycle	2.9	2.9	2.9
Energy efficiency class	Tier 1	Tier 1	Tier 1
ENERGY STAR® qualified	Yes	Yes	Yes
Total annual energy / water consumption	259 kWh / 624 g	269 kWh / 624 g	259 kWh / 624 g
Number of place settings	16	16	16
Technical Data			
Watts (W)	1300 W	1300 W	1300 W
Current (A) / Volts (V) / Frequency (Hz)	12 A / 120 V / 60 Hz	12 A / 120 V / 60 Hz	12 A / 120 V / 60 Hz
Power cord length	56 5/16"	43 1/2"	56 5/16"
Minimum water pressure (lb / sin)	14	14	14
Length inlet / outlet hose (in)	60" / 79"	74 3/4" / 59 1/16"	60" / 79"
Dimensions & Weight			
Overall appliance dimensions (HxWxD) (in)	33 7/8" x 23 9/16" x 23 3/4"	33 7/8" x 23 9/16" x 23 3/4"	33 7/8" x 23 9/16" x 23 3/4"
Required cutout size (HxWxD) (in)	33 7/8" x 23 5/8" x 24"	33 7/8" x 23 5/8" x 24"	33 7/8" x 23 5/8" x 24"
Adjustable feet	Yes	Yes	Yes
Net weight (lbs)	91 / 91 / 91 / 88 lbs	91 lbs	91 / 91 / 91 / 88 lbs

#### Optional Accessories

SGZ1010UC Supply and Drainage Hose Extension 76 3/4"	SMZPC002UC 3-Prong Power Cord 66 7/8"	SMZ5000 Accessory Kit	SMZ4000UC DoubleFlex Silverware Basket	SMZ5002UC Anti-Tarnish Silverware Cassette
--	---	--------------------------	---	---

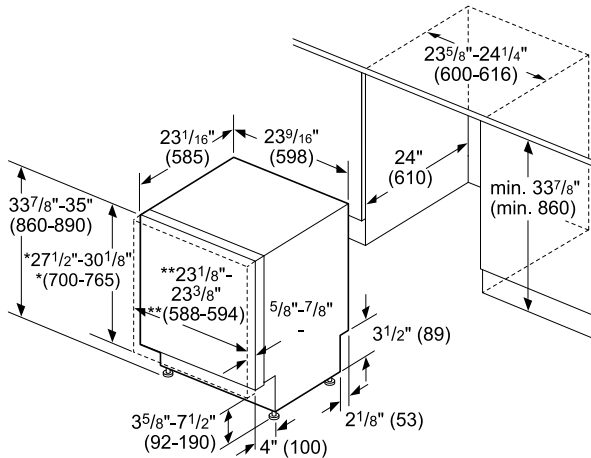
# 800 Series Dishwashers

## Dimensions and Cutout



measurements in inches (mm)

## Custom Panel – Dimensions and Cutout



\* measured from the bottom edge of the countertop panel thickness recommended 3/4" (20 mm).

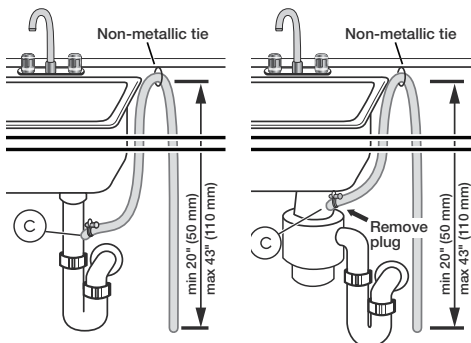
This dishwasher can accept custom door panel weights ranging from 7 to 24 lbs; however, the dishwasher comes from the factory ready for custom panel door weights from 11 to 18 lbs.

If you plan on using a door panel that is not 11 to 18 lbs. please contact customer service at (800) 944-2904.

\*\* 24" (610 mm) wide panel may be used depending on cabinet design

Note: Refer to installation template for mounting hardware locations measurements in inches (mm)

## Plumbing

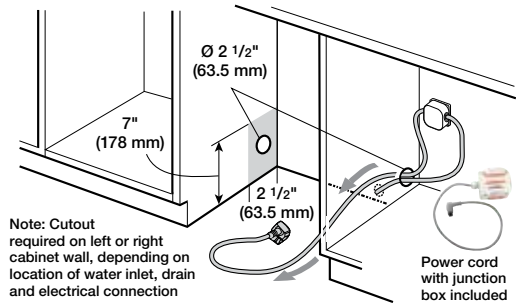


Note: Plumbing installations will vary - refer to local codes. Drain hose included is 79 (201 cm) and can be extended to a maximum of 155 3/4" (396 cm).

Always use the approved drain hose extension kit (SGZ1010UC).

Ensure a portion of the drain hose is raised between min. 20" (50 cm) and max. 43" (110 cm) above the cabinet floor.

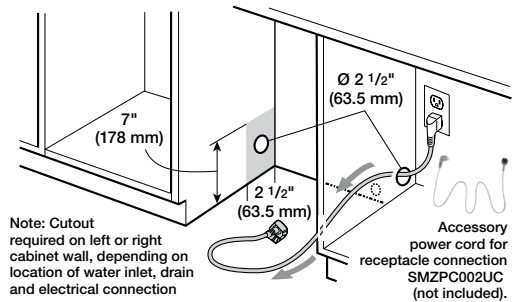
## Example of Hardwire Installation



Note: Cutout required on left or right cabinet wall, depending on location of water inlet, drain and electrical connection

Power cord with junction box included

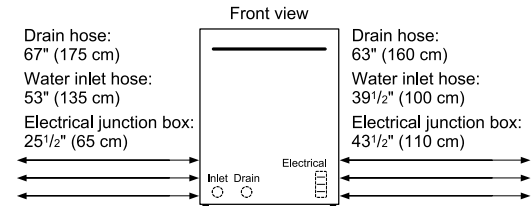
## Example of Electrical Receptacle Installation



Note: Cutout required on left or right cabinet wall, depending on location of water inlet, drain and electrical connection

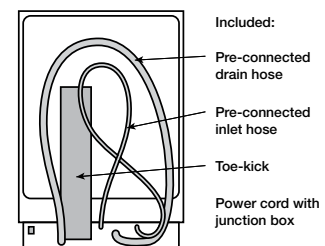
Accessory power cord for receptacle connection SMZPC002UC (not included).

## Water and Electrical Locations



All connections are at the rear of the appliance. Extension for drain hose available as accessory. Power cord for connection to electrical outlet (3-prong plug) available as accessory.

## Included Parts & Accessories





# 18-Inch ADA Special Application Dishwashers



**18-Inch ADA  
300 Series**  
\*SPE53U5\_UC



- 46 dBA
- 4 Cycles / 4 Options
- Water Softener
- 24/7 AquaStop® Plus
- Delay Start Timer



**18-Inch ADA  
800 Series**  
SPE68U55UC  
SPX68U55UC  
SPV68U53UC

- + 44 dBA
- + 6 Cycles / 5 Options
- + Third Rack – 10 Place Settings
- + Eco Cycle

+ Indicates a step-up feature

\* Multiple colors available. See color chips to fill in missing digit.

	18-Inch ADA 300 Series	18-Inch ADA 800 Series
--	------------------------	------------------------

	Recessed Handle – SPE53U5_UC	Recessed Handle – SPE68U55UC Bar Handle – SPX68U55UC Custom Panel – SPV68U53UC
--	------------------------------	--

General Properties		
--------------------	--	--

Number of wash cycles / options	4 / 4	6 / 5
dBA	46	44
Third rack	No	Standard
Rack adjustability	RackMatic®	RackMatic®
Tub material	Stainless steel	Stainless steel
Control type	Buttons	Buttons
Concealed heating element	Yes	Yes
Leak protection system	24/7 AquaStop® Plus	24/7 AquaStop® Plus
Water softener	Yes	Yes
Five-level wash	Yes	Yes
ChildLock	Yes	Recessed Handle model only
InfoLight®	No	Bar Handle / Custom Panel only
Special Features	24h Delay Start Timer	Eco Cycle

Efficiency and Capacity		
-------------------------	--	--

Water usage per cycle	3.0	3.0
Energy efficiency class	Tier 1	Tier 1
ENERGY STAR® qualified	Yes	Yes
Total annual energy / water consumption	259 kWh / 645 g	259 kWh / 645 g
Number of place settings	9	10

Technical Data		
----------------	--	--

Watts (W)	1300 W	1300 W
Current (A) / Volts (V) / Frequency (Hz)	12 A / 120 V / 60 Hz	12 A / 120 V / 60 Hz
Power cord length	68 7/8"	68 7/8"
Minimum water pressure (lb / sin)	7	7
Length inlet / outlet hose (in)	65" / 80 5/8"	65" / 80 5/8"

Dimensions & Weight		
---------------------	--	--

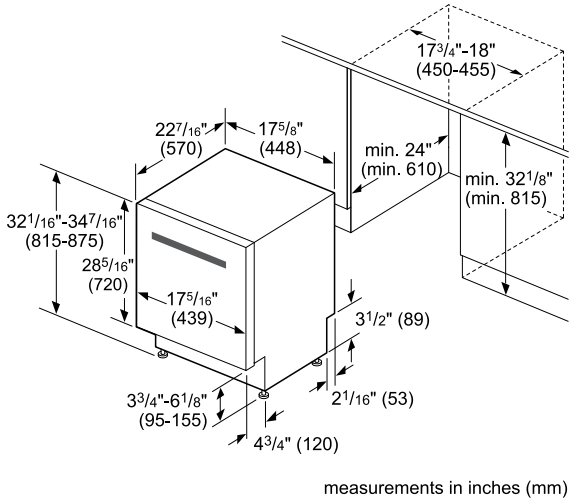
ADA Compliant	Yes	Yes
Overall appliance dimensions (HxWxD) (in)	32 1/16" x 17 5/8" x 22 9/16"	32 1/16" x 17 5/8" x 22 7/16" (Custom Panel D: 21 5/8")
Required cutout size (HxWxD) (in)	32 1/8" x 17 3/4" x 24"	32 1/8" x 17 3/4" x 24" (Panel Ready D: 22 7/16")
Adjustable feet	Yes	Yes
Net weight (lbs)	72 lbs	76 / 79 / 75 lbs

Optional Accessories			
----------------------	--	--	--

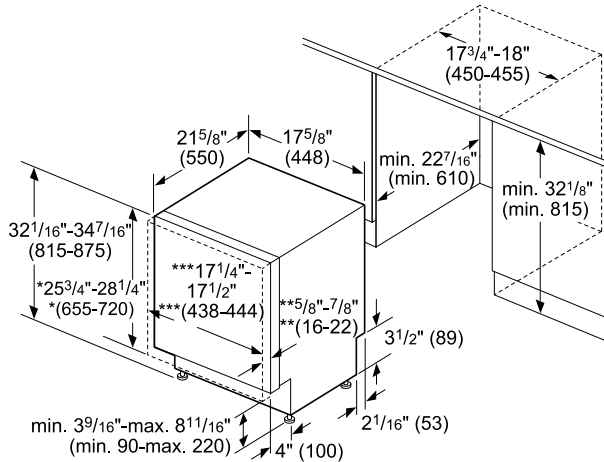
SGZ9091UC Softener Salt (4.4 lbs)	SGZ1010UC Supply and Drainage Hose Extension 76 3/4"	SMZ5000 Accessory Kit	SMZ5003 Hinge for 4" Toekick Height Installation
--------------------------------------	---	--------------------------	---

# 18-Inch ADA Special Application Dishwashers

## Dimensions and Cutout



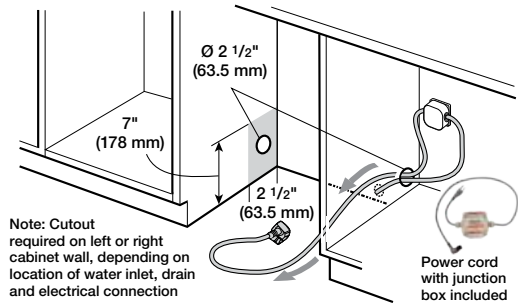
## Custom Panel – Dimensions and Cutout



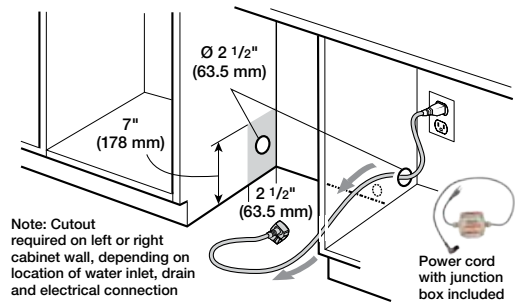
- \* measured from the bottom edge of the countertop panel
- \*\* panel weight 6-16 lb (2.5-7.5 kg)
- \*\*\* 18" (450 mm) wide panel may be used depending on cabinet design

Note: Refer to installation template for mounting hardware locations  
measurements in inches (mm)

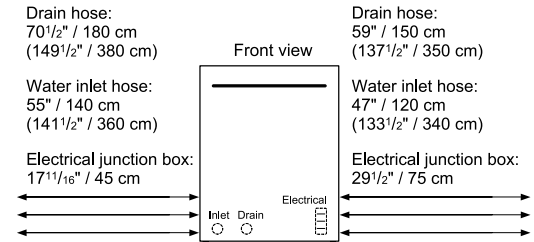
## Example of Hardwire Installation



## Example of Electrical Receptacle Installation

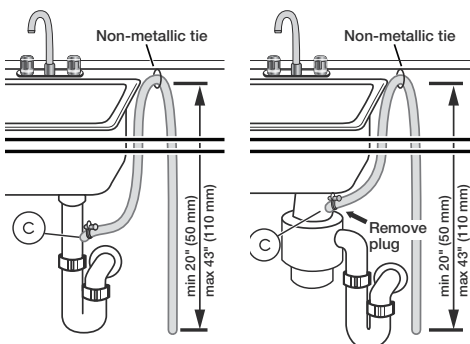


## Water and Electrical Locations



All connections at the rear of the appliance.  
( ) values with extension kit.

## Plumbing

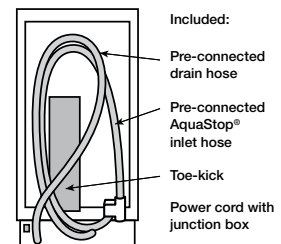


Note: Plumbing installations will vary - refer to local codes.  
Drain hose included is 88 5/8" (225 cm) and can be extended to a maximum of 165 3/8" (420 cm).

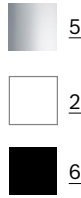
Always use the approved drain hose extension kit (SGZ1010UC).

Ensure a portion of the drain hose is raised between min. 20" (50 cm) and max. 43" (110 cm) above the cabinet floor.

## Included Parts & Accessories



# 24-Inch ADA Special Application Dishwashers



- 24-Inch ADA 300 Series**  
\*SGE53U5\_UC
- 46 dBA
  - 4 Cycles / 4 Options
  - Water Softener
  - 24/7 AquaStop® Plus
  - Delay Start Timer



- 24-Inch ADA 800 Series**  
SGE68U55UC  
SGX68U55UC  
SGV68U53UC
- + 44 dBA
  - + 6 Cycles / 5 Options
  - + Third Rack – 15 Place Settings
  - + Eco Cycle

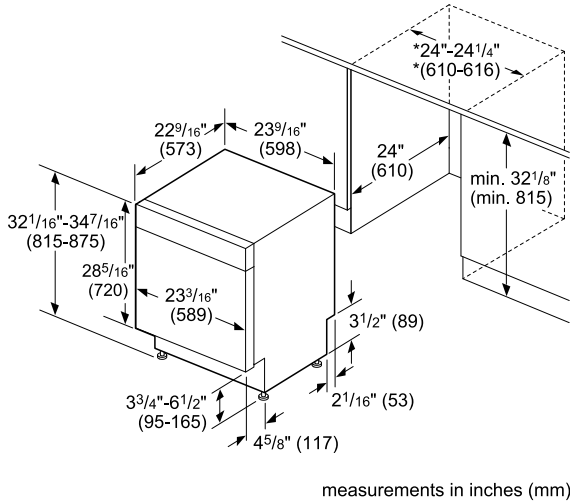
+ Indicates a step-up feature  
\* Multiple colors available. See color chips to fill in missing digit.

	24-Inch ADA 300 Series	24-Inch ADA 800 Series
	Recessed Handle – SGE53U5_UC	Recessed Handle – SGE68U55UC Bar Handle – SGX68U55UC Custom Panel – SGV68U53UC
<b>General Properties</b>		
Number of wash cycles / options	4 / 4	6 / 5
dBA	46	44
Third rack	No	Standard
Rack adjustability	RackMatic®	RackMatic®
Tub material	Stainless steel	Stainless steel
Control type	Buttons	Buttons
Concealed heating element	Yes	Yes
Leak protection system	24/7 AquaStop® Plus	24/7 AquaStop® Plus
Water softener	Yes	Yes
Five-level wash	Yes	Yes
ChildLock	Yes	Recessed Handle model only
InfoLight®	No	Bar Handle / Custom Panel only
Special Features	24h Delay Start Timer	Eco Cycle
<b>Efficiency and Capacity</b>		
Water usage per cycle	3.0	3.0
Energy efficiency class	Tier 1	Tier 1
ENERGY STAR® qualified	Yes	Yes
Total annual energy / water consumption	259 kWh / 645 g	259 kWh / 645 g
Number of place settings	14	15
<b>Technical Data</b>		
Watts (W)	1300 W	1300 W
Current (A) / Volts (V) / Frequency (Hz)	12 A / 120 V / 60 Hz	12 A / 120 V / 60 Hz
Power cord length	68 7/8"	68 7/8"
Minimum water pressure (lb / sin)	7	7
Length inlet / outlet hose (in)	65" / 74 7/8"	65" / 74 7/8"
<b>Dimensions &amp; Weight</b>		
ADA Compliant	Yes	Yes
Overall appliance dimensions (HxWxD) (in)	32 1/16" x 23 9/16" x 22 9/16"	32 1/16" x 23 9/16" x 22 9/16" (Custom Panel D: 21 5/8")
Required cutout size (HxWxD) (in)	32 1/8" x 24" x 24"	32 1/8" x 24" x 24"
Adjustable feet	Yes	Yes
Net weight (lbs)	84 lbs	89 / 92 / 87 lbs

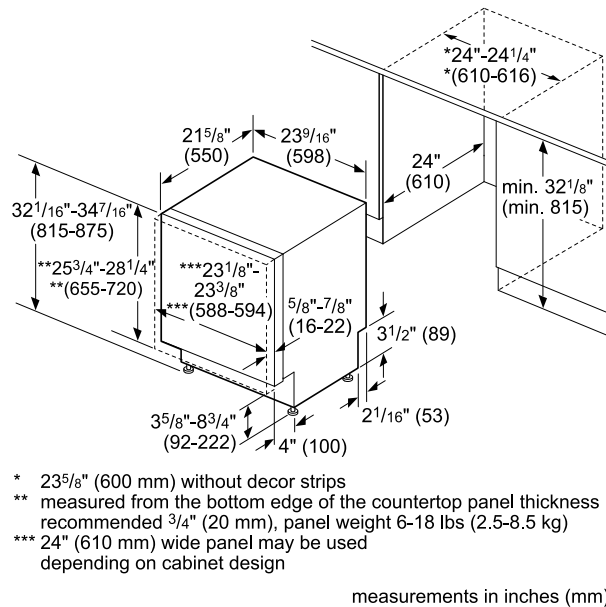
<b>Optional Accessories</b>			
SGZ9091UC Softener Salt (4.4 lbs)	SGZ1010UC Supply and Drainage Hose Extension 76 3/4"	SMZ5000 Accessory Kit	SMZ5002UC Anti-tarnish Silverware Cassette

# 24-Inch ADA Special Application Dishwashers

## Dimensions and Cutout

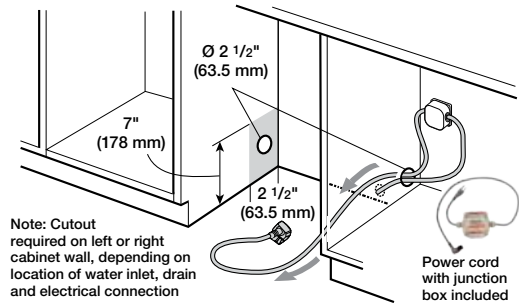


## Custom Panel – Dimensions and Cutout

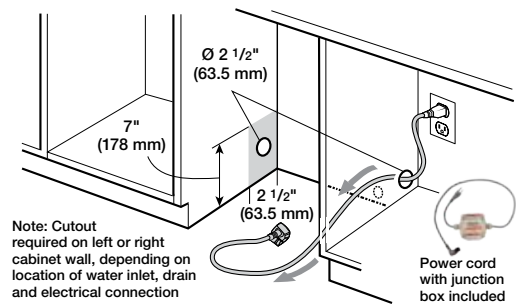


- \* 23<sup>9</sup>/<sub>16</sub>" (600 mm) without decor strips
- \*\* measured from the bottom edge of the countertop panel thickness recommended 3/4" (20 mm), panel weight 6-18 lbs (2.5-8.5 kg)
- \*\*\* 24" (610 mm) wide panel may be used depending on cabinet design

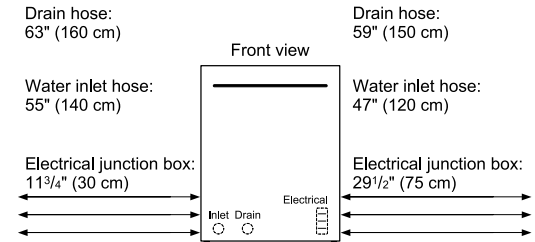
## Example of Hardwire Installation



## Example of Electrical Receptacle Installation

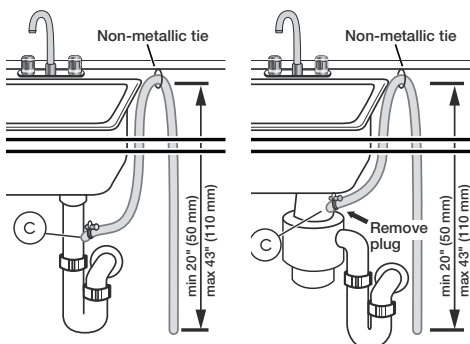


## Water and Electrical Locations



All connections are at the rear of the appliance.  
 Extension for drain hose available as accessory.  
 Power cord for connection to electrical outlet (3-prong plug) available as accessory.

## Plumbing



Note: Plumbing installations will vary - refer to local codes. Drain hose included is 88 5/8" (225 cm) and can be extended to a maximum of 165 3/8" (420 cm). Always use the approved drain hose extension kit (SGZ1010UC). Ensure a portion of the drain hose is raised between min. 20" (50 cm) and max. 43" (110 cm) above the cabinet floor.

## Included Parts & Accessories

