

Built-in Wall Ovens

The perfect balance of form and function.



Bosch wall ovens integrate seamlessly into your kitchen and are easy-to-use, with electronic or knob controls available. Install flush for a sleek European look or proud for a more traditional look. Bosch single wall ovens fit all major brands' cutouts*, making it an easy upgrade.

Bosch wall ovens offer Genuine European Convection, which delivers precisely even cooking results across all three oven racks.

Step up to an 800 Series model with a QuietClose™ door and a full extension rack, which brings a premium experience to any kitchen.

*Major brands defined as TraQline Top 15 brands 2012, based on cutout height, depth and width of current single oven models.



Benchmark™ Built-in Wall Ovens

Sometimes new thinking is horizontal.





Horizontal Alignment

Bosch wall ovens are designed for either vertical or horizontal installation. Horizontal installation provides a distinctive European look, especially when the steam or speed oven and storage/warming drawer are installed in combination. Horizontal installation of Bosch ovens offers you better ergonomic access for ease of use.



The Detail in Design

Bosch Benchmark™ wall ovens are available in either a left or right SideOpening door or a traditional drop-down door. These door options give easier access to the oven cavity, allowing you the ability to put in and remove heavy dishes effortlessly. Additionally, Bosch wall ovens feature QuietClose™ doors that won't slam shut. It's an upscale touch that makes a difference.

European Design

Bosch wall ovens are designed for flush installation which provides a sleek, sophisticated appearance. Each Bosch wall oven is designed with matching handles, doors and user interface to further align the look and feel of your kitchen. The units can be installed flush* or with an overlay to your cabinetry.



Savor the Results of Steam

The Bosch Benchmark™ steam convection oven is a luxury that quickly becomes a necessity. Steam convection cooking prepares dishes that are moist on the inside and crisp on the outside. It's perfect for chicken, bread, pizza, reheating leftovers, and anything else you like. And with steam cooking, vegetables retain their color and more nutritional value.

*For flush installation 25" cabinetry is needed.

Wall Oven Inspiration Gallery

Explore all of the exciting design possibilities.



Flush or Proud Install

All Bosch wall ovens can be installed flush for a sleek European look or proud for a more traditional look.



Example Flush Install



Example Proud Install



French Door Ovens

This is a great combination for clients who need double oven capacity, but who also require the quality results given with convection performance. SideOpening doors allow the easiest access for everyone, especially those with limited reach capabilities.

HBLP451LUC and HBLP451RUC shown



Double French Door Ovens with Drawers

This pair of double ovens is a baker's dream. Installing these ovens in a French door configuration allows maximum accessibility to the cavities. Multiple chefs have enough space to work together.

HBLP651LUC, HSD5051UC, HBLP651RUC and HWD5051UC shown



Horizontal Cooking Center

This combination is designed for the cook who wants different cooking options. The flush aesthetic of this oven series works with any design theme in any combination of ovens used. The simple clean design brings technology to the kitchen and enhances all design styles.

HSLP451UC, HSD5051UC, HMC80251UC, HWD5051UC and HBLP451UC shown

NOTE: See pages 64–73 for planning and installation details when installing Bosch wall ovens in these and other exciting design combinations.



French Door Ovens with Speed or Steam

This solution gives an active family that cooks together two ovens that can be accessed at the same time. This installation positions both full size ovens in a height comfortable for most users. The SideOpening doors give even easier access, without the need to reach over an open door.

HBLP451LUC, HSLP451UC, HWD5051UC and HBLP451RUC shown



Balanced Horizontal Cooking Center

This is a visually balanced configuration of all the technologies a modern cook wants. The large center convection oven is balanced with the shorter speed and steam ovens with either storage or warming drawer to complete the lines. Having all 3 types of oven lets the cook decide which unit serves a particular need.

HSLP451UC, HSD5051UC, HBLP451UC, HMC80251U and HWD5051UC shown



Balanced Horizontal Cooking Center

A cook with a large family or who entertains often will find everything he or she needs with this configuration. This installation takes less wall space than placing two convection ovens side by side and is perfect for the cook who commonly uses all the different technologies.

The positioning of the control panels and clean uniform lines of each unit allows for different custom configurations with the same modern look.

HSLP451UC, HSD5051UC, HBLP651UC, HMC80251UC and HWD5051UC shown



Cube Installation

This concise combination offers speed, steam and two convection ovens in a limited wall space. Only two electrical connections and cutouts are required for these four products.

HBLP751UC and HSLP751UC shown



Triple Stack

Together, these combination oven units together give the home chef a versatile baking center in a small footprint. The addition of storage and warming drawers below keeps lines consistent, and adds the convenience to retain the quality of prepared food until guests arrive.

HBLP751UC, HSD5051UC, HSLP751UC and HWD5051UC shown



Balanced Horizontal Cooking Center

This ergonomic horizontal installation offers a strong linear baking zone that takes full advantage of an expansive kitchen wall. All the oven technologies are at a comfortable, safe height for most cooks. The SideOpening doors make oven contents easy to access. It is great for large families cooking together and groups with different levels of reach and mobility.

HBLP451LUC, HMC80251UC, HWD5051UC, HSLP451UC, HSD5051UC and HBLP451RUC shown

NOTE: See pages 64–73 for planning and installation details when installing Bosch wall ovens in these and other exciting design combinations.

Benchmark™ Single Ovens



**Standard
Opening Door**
HBLP451UC



**SideOpening
Left Swing Door**
HBLP451LUC



**SideOpening
Right Swing Door**
HBLP451RUC

30" Benchmark™ Single Ovens

- Color TFT Control Panel
- Halogen Lights
- AutoProbe

30" Benchmark™

Standard Opening Stainless Steel – HBLP451UC
 SideOpening Left Swing Stainless Steel – HBLP451LUC
 SideOpening Right Swing Stainless Steel – HBLP451RUC

General Properties

Cooking modes	Bake, Variable Broil (hi & low), Roast, Warm, Sabbath, Proof Dough, Convection Bake, Convection Broil, Convection Roast, Pizza, Multi Rack Genuine European Convection, Convection Conversion, AutoProbe, Fast Preheat, EcoChef, Speed Convection (Frozen Foods)
Cleaning type	Self Clean
Telescopic rack	1
Illumination type	Halogen
Interior lights	2

Oven Performance

Bake element wattages	2,400 W
Broil element wattages	3,800 W
Convection element wattages	2,000 W

Technical Details

Watts (W)	6,325 W
Circuit breaker (A)	30 A
Volts (V)	240 / 208 V
Frequency (Hz)	60 Hz
Power cord length (in)	50"
Plug type	Fixed Connection, No Plug
Energy source	Electric

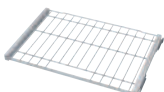
Dimensions & Weight

Overall appliance dimensions (HxWxD) (in)	29" x 29 ³ / ₄ " x 24 ¹ / ₂ "
Required cutout size (HxWxD) (in)	27" – 28 ⁵ / ₈ " x 28 ¹ / ₂ " x 23 ¹ / ₂ "
Oven cavity size (cu. ft.)	4.6
Overall oven interior dimensions (HxWxD) (in)	17 ¹³ / ₁₆ " x 24 ¹ / ₈ " x 18"
Usable oven interior dimensions (HxWxD) (in)	12 ⁵ / ₁₆ " x 23 ¹ / ₄ " x 15 ¹ / ₄ "
Net weight (lbs)	149 lbs

Accessories – Included

Included	1 Telescopic and 2 Standard Oven Racks, Temperature Probe, Broiler Pan
----------	--

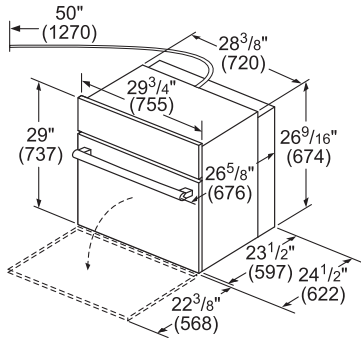
Optional Accessories



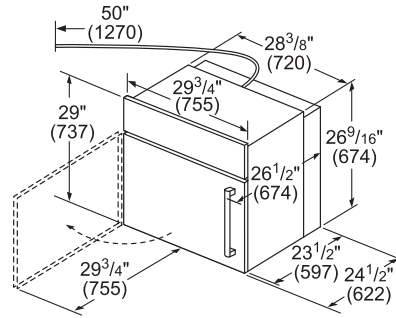
HEZTR301
30" Telescopic Rack

Benchmark™ Single Ovens

30" Single Wall Oven

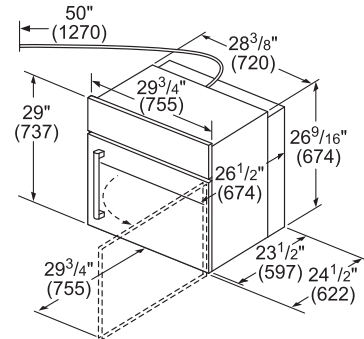


30" SideOpening Left Swing Door



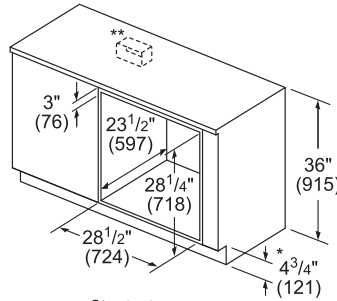
Allow 3/4" (19 mm) gap to nearest cabinet face for door swing on SideOpening models

30" SideOpening Right Swing Door



Allow 3/4" (19 mm) gap to nearest cabinet face for door swing on SideOpening models

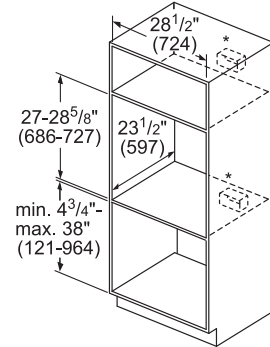
Under-Counter Installation



* Includes 3/4" (19) base plate

**For single ovens installed under a countertop, the junction box may be located to the left or right of the unit within reach of the power conduit.

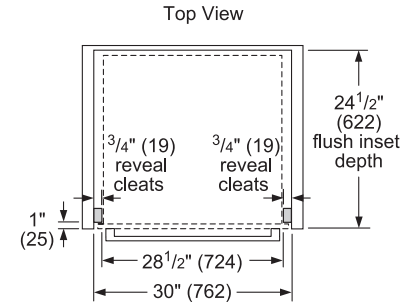
Wall-Mounted Installation



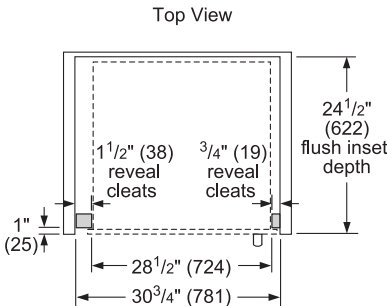
* For single ovens installed into a wall cabinet, the junction box may be located above or beneath the unit within reach of the power conduit.

measurements in inches (mm)

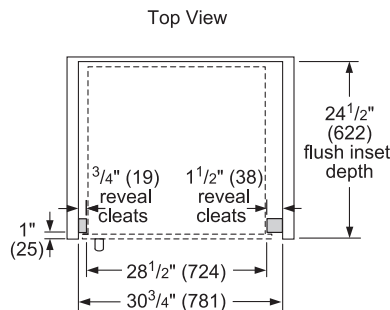
30" Single Wall Oven Flush Install



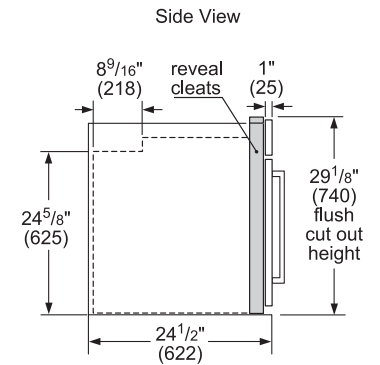
30" SideOpening Left Swing Door Flush Installation



30" SideOpening Right Swing Door Flush Installation



Single Wall Oven Flush Installation



Measurements in inches (mm)

NOTE: Bosch single wall ovens can be installed in combination with other Bosch cooking products. See pages 46–49 for details.

500 / 800 Series Single Ovens



**30" 500 Series
HBL5351UC**

- 4.6 cu. ft.
- Thermal Cooking
- Stainless Steel Knobs



27"

**500 Series
30" HBL5451UC
27" HBN5451UC**

- 4.6 cu. ft. (27" is 3.9 cu. ft.)
- + European Convection
- Thermal Cooking
- Stainless Steel Knobs



27"
Black

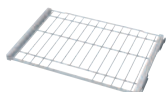
**800 Series
30" HBL8451UC
30" HBL8461UC
27" HBN8451UC**

- 4.6 cu. ft. (27" is 3.9 cu. ft.)
- + QuietClose™ Door
- + Touch Control
- + Extension Rack
- + Meat Probe

+ Indicates a step-up feature

	500 Series	500 Series	800 Series
	30" Stainless Steel – HBL5351UC	30" Stainless Steel – HBL5451UC 27" Stainless Steel – HBN5451UC	30" Stainless Steel – HBL8451UC 30" Black – HBL8461UC 27" Stainless Steel – HBN8451UC
General Properties			
Cooking modes	Bake, Variable Broil (hi & low), Roast, Warm, Sabbath	Bake, Variable Broil (hi & low), Roast, Warm, Sabbath, Proof Dough, Convection Bake, Convection Broil, Convection Roast, Pizza, Multi Rack Genuine European Convection, Convection Conversion	Bake, Variable Broil (hi & low), Roast, Warm, Sabbath, Proof Dough, Convection Bake, Convection Broil, Convection Roast, Pizza, Multi Rack Genuine European Convection, Convection Conversion, Temperature Probe, Fast Preheat
Cleaning type	Self Clean	Self Clean	Self Clean
Telescopic rack	0	0	1
Illumination type	Incandescent	Incandescent	Incandescent
Interior lights	1	30": 2; 27": 1	2
Oven Performance			
Bake / broil element wattages	2,400 / 3,800 W	2,400 / 3,800 W	2,400 / 3,800 W
Convection element wattages	N/A	2,000 W	2,000 W
Technical Details			
Watts (W)	6,275 W	6,325 W	6,325 W
Circuit breaker (A)	30 A	30 A	30 A
Volts (V)	240 / 208 V	240 / 208 V	240 / 208 V
Frequency (Hz)	60 Hz	60 Hz	60 Hz
Power cord length (in)	50"	50"	50"
Plug type	Fixed Connection, No Plug	Fixed Connection, No Plug	Fixed Connection, No Plug
Energy source	Electric	Electric	Electric
Dimensions & Weight			
Overall appliance dimensions (HxWxD) (in)	29" x 29 3/4" x 24 1/2"	30": 29" x 29 3/4" x 24 1/2" 27": 29" x 26 3/4" x 24 1/2"	30": 29" x 29 3/4" x 24 1/2" 27": 29" x 26 3/4" x 24 1/2"
Required cutout size (HxWxD) (in)	27" – 28 5/8" x 28 1/2" x 23 1/2"	30": 27" – 28 5/8" x 28 1/2" x 23 1/2" 27": 27" – 28 5/8" x 25 1/2" x 23 1/2"	30": 27" – 28 5/8" x 28 1/2" x 23 1/2" 27": 27" – 28 5/8" x 25 1/2" x 23 1/2"
Oven cavity size (cu. ft.)	4.6	30": 4.6; 27": 3.9	30": 4.6; 27": 3.9
Overall oven interior dimensions (HxWxD) (in)	17 13/16" x 24 1/8" x 18"	30": 17 13/16" x 24 1/8" x 18" 27": 17 13/16" x 21 1/16" x 18"	30": 17 13/16" x 24 1/8" x 18" 27": 17 13/16" x 21 1/16" x 18"
Usable oven interior dimensions (HxWxD) (in)	12 5/16" x 23 1/4" x 15 1/4"	30": 12 5/16" x 23 1/4" x 15 1/4" 27": 12 5/16" x 20 1/4" x 15 1/4"	30": 12 5/16" x 23 1/4" x 15 1/4" 27": 12 5/16" x 20 1/4" x 15 1/4"
Net weight (lbs)	149 lbs	27": 127 lbs; 30": 149 lbs	27": 127 lbs; 30": 149 lbs
Accessories – Included			
Included	2 Standard Oven Racks	2 Standard Oven Racks	1 Telescopic and 2 Standard Oven Racks, Temperature Probe

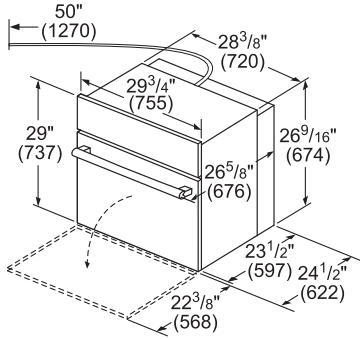
Optional Accessories for 30" Single Wall Ovens



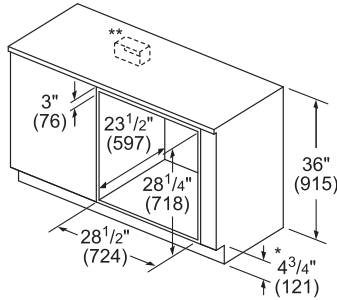
HEZTR301
30" Telescopic Rack

500 / 800 Series Single Ovens

30" Single Wall Oven



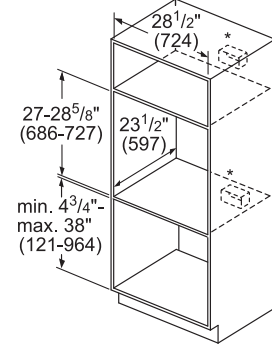
30" Single Oven Under-Counter Installation



* Includes 3/4" (19) base plate

** For single ovens installed under a countertop, the junction box may be located to the left or right of the unit within reach of the power conduit.

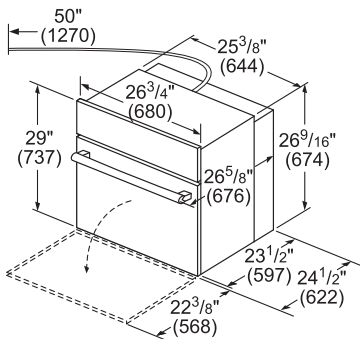
30" Single Oven Wall-Mounted Installation



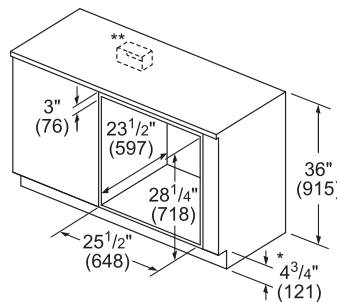
* For single ovens installed into a wall cabinet, the junction box may be located above or beneath the unit within reach of the power conduit.

measurements in inches (mm)

27" Single Wall Oven



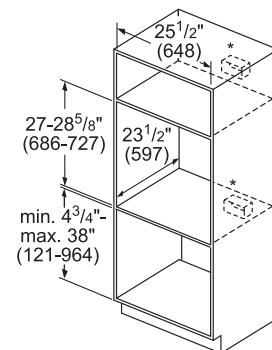
27" Single Oven Under-Counter Installation



* Includes 3/4" (19) base plate

** For single ovens installed under a countertop, the junction box may be located to the left or right of the unit within reach of the power conduit.

27" Single Oven Wall-Mounted Installation

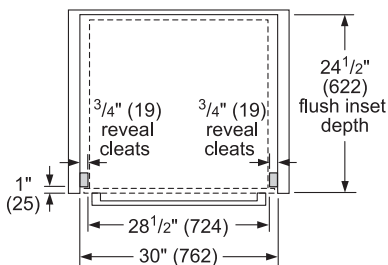


* For single ovens installed into a wall cabinet, the junction box may be located above or beneath the unit within reach of the power conduit.

measurements in inches (mm)

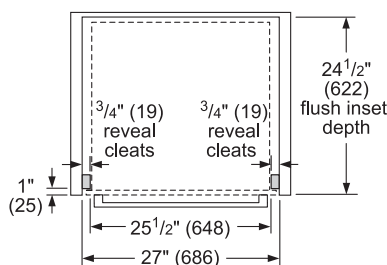
30" Single Wall Oven Flush Install

Top View



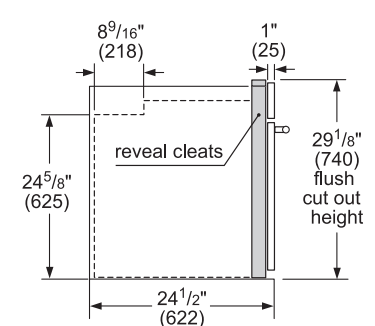
27" Single Wall Oven Flush Install

Top View



Single Wall Oven Flush Installation

Side View



Measurements in inches (mm)

NOTE: Bosch single wall ovens can be installed in combination with other Bosch cooking products. See pages 46–49 for details.

Benchmark™ Steam Convection Oven



30" Benchmark™ Steam Convection HSLP451UC

- 1.4 cu. ft.
- Color TFT Control Panel
- Halogen Lights
- Chicken and Vegetable Program
- No Trim Kit Needed

30" Steam Convection

Stainless Steel – HSLP451UC

General Properties

Cooking modes	Steam, Steam Convection, European Convection, Reheat, Keep Warm, Defrost, Slow Cook, Proof, Dish Warming, 2 Chicken and 7 Vegetable Programs
Cleaning type	Steam Clean
Illumination type	Halogen
Interior lights	1

Oven Performance

Steam element wattage	1,960 W
Convection element wattages	1,960 W

Technical Details

Watts (W)	1,960 W
Circuit breaker (A)	15 A
Volts (V)	240 / 208 V
Frequency (Hz)	60 Hz
Power cord length (in)	48"
Plug type	Fixed connection, no plug
Energy source	Electric
Installation Type	Non-plumbed

Dimensions & Weight

Overall appliance dimensions (HxWxD) (in)	19 5/8" x 29 3/4" x 22 3/8"
Oven cavity size (cu. ft.)	1.4
Required cutout size (HxWxD) (in)	19 1/4" x 28 1/2" x 23 1/2"
Net weight (lbs)	70 lbs

Accessories – Included

Included	Wire Rack, Perforated Cooking Pan – Full Size, Baking Tray, Perforated Cooking Pan – Half Size, Cooking
----------	---

Optional Accessories



HEZ36D453
Cooking pan – full size, 1 5/8" deep [not included with product]



HEZ36D452
Baking tray – full size, 1 1/8" deep



HEZ36DR4
Wire rack for steam and convection oven



HEZ36D453G
Perforated cooking pan – full size, 1 5/8" deep



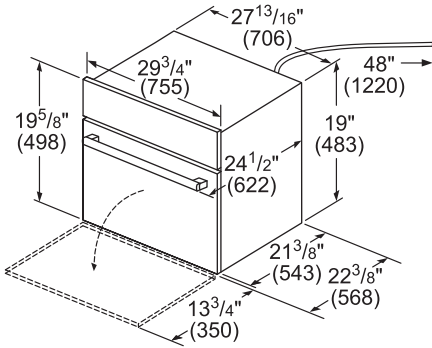
HEZ36D153G
Perforated cooking pan – half size, 1 5/8" deep



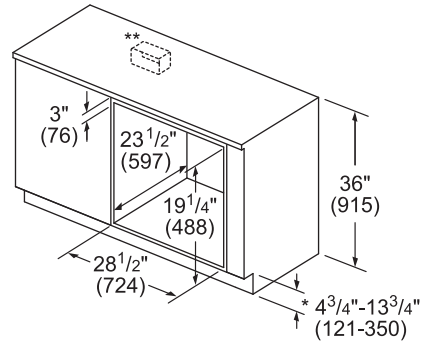
HEZ36D153
Cooking pan – half size, 1 5/8" deep

Benchmark™ Steam Convection Oven

Product Dimensions



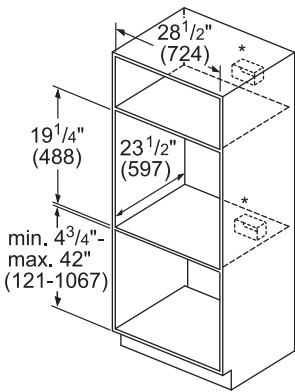
Under-Counter Installation



* Includes ³/₄" (19) base plate

** Receptacle may be located to the left or right of the unit within reach of the power cord.

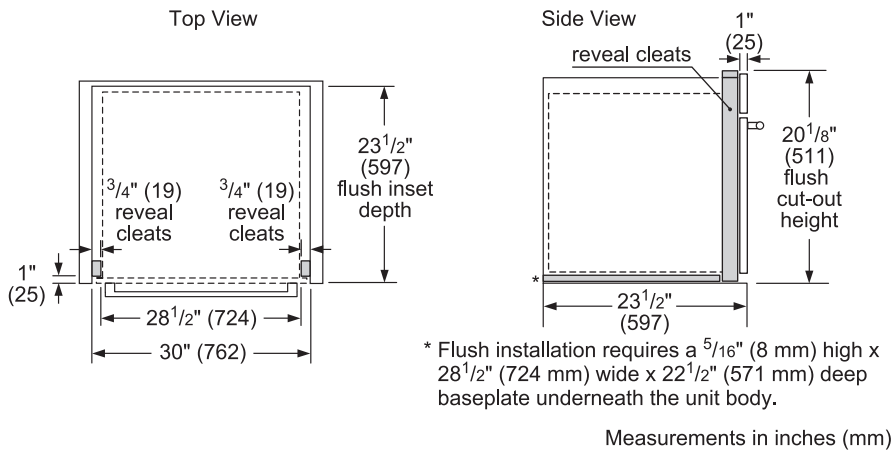
Wall Mounted Installation



* Receptacle may be located above or beneath the unit within reach of the power cord.

measurements in inches (mm)

Flush Installation



NOTE: Bosch steam convection oven can be installed in combination with other Bosch cooking products. See pages 46-49 for details.

Benchmark™ Speed & Steam Combination Ovens



**30" Benchmark™
Speed Combination Oven
HBLP751UC**

- 240V Speed Microwave Oven (U)
- Color TFT Control Panel (L)
- Halogen Lights (L)
- AutoProbe (L)



**30" Benchmark™
Steam Convection Combination Oven
HSLP751UC**

- Steam Convection Oven (U)
- Color TFT Control Panel (L)
- Halogen Lights (L)
- AutoProbe (L)

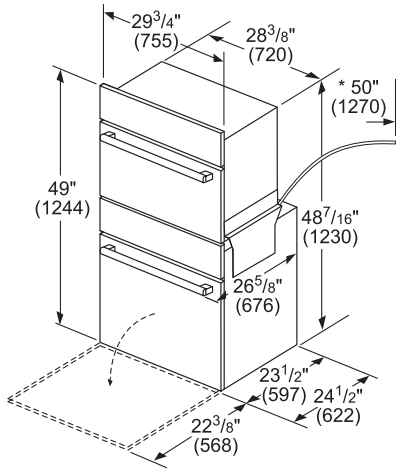
U=Upper; L=Lower

	30" Speed Microwave Combination	30" Steam Convection Combination
	Stainless Steel – HBLP751UC	Stainless Steel – HSLP751UC
General Properties		
Cooking modes – upper cavity	Microwave; 12 Auto Programs (including Auto Defrost, Melt Butter, Soften Ice Cream, Pizza), 9 Sensor Cook Programs, 9 AutoChef® Speed Programs, Hi & Lo Broil, European Convection, Keep Warm, Frozen Foods	Steam, Steam Convection, European Convection, Reheat, Keep Warm, Defrost, Slow Cook, Proof, Dish Warming, 2 Chicken and 7 Vegetable Programs
Cooking modes – lower cavity	Bake, Variable Broil (hi & low), Roast, Warm, Sabbath, Proof Dough, Convection Bake, Convection Broil, Convection Roast, Pizza, Multi Rack Genuine European Convection, Convection Conversion, AutoProbe, Fast Preheat, EcoChef, Speed Convection (Frozen Foods)	Bake, Variable Broil (hi & low), Roast, Warm, Sabbath, Proof Dough, Convection Bake, Convection Broil, Convection Roast, Pizza, Multi Rack Genuine European Convection, Convection Conversion, AutoProbe, Fast Preheat, EcoChef, Speed Convection (Frozen Foods)
Cleaning type – lower cavity	Self Clean	Self Clean
Telescopic rack	1	1
Illumination type	Incandescent (Upper); Halogen (Lower)	Halogen (Upper and Lower)
Interior lights – upper / lower cavity	1 / 2	1 / 2
Oven Performance		
Microwave power – upper cavity	1000 W	N/A
Bake / broil element wattages – upper cavity	600 / 1,750 W	1,960 W*
Bake / broil element wattages – lower cavity	2,400 / 3,800 W	2,400 / 3,800 W
Convection element wattages – upper cavity / lower cavity	1,700 W / 2,000 W	1,960 W / 2,000 W
Technical Details		
Watts (W)	9,725 W	8,325 W
Circuit breaker (A)	40 A	40 A
Volts (V); Frequency (Hz)	240 / 208 V; 60 Hz	240 / 208 V; 60 Hz
Power cord length (in)	50"	50"
Plug type	Fixed Connection, No Plug	Fixed Connection, No Plug
Energy source	Electric	Electric
Installation Type	N/A	Non-plumbed
Dimensions & Weight		
Overall appliance dimensions (HxWxD)(in)	49" x 29 3/4" x 24 1/2"	49" x 29 3/4" x 24 1/2"
Required cutout size (HxWxD) (in)	48 5/8" x 28 1/2" x 23 1/2"	48 5/8" x 28 1/2" x 23 1/2"
Oven cavity size (cu. ft.)	4.6	4.6
Overall lower oven interior dimensions (HxWxD) (in)	17 13/16" x 24 1/8" x 18"	17 13/16" x 24 1/8" x 18"
Usable lower oven interior dimensions (HxWxD) (in)	12 5/16" x 23 1/4" x 15 1/4"	12 5/16" x 23 1/4" x 15 1/4"
Net weight (lbs)	259 lbs	219 lbs
Accessories – Included		
Included	Upper Oven: Metal Turntable, Square rack, Ceramic Cooking Tray Lower Oven: 1 Telescopic and 2 Standard Oven Racks, Temperature Probe, Broiler Pan	Upper Oven: Wire rack, Perforated Cooking Pan – Full Size, Baking Tray, Perforated Cooking Pan – Half Size, Cooking Pan – Half Size Lower Oven: 1 Telescopic and 2 Standard Oven Racks, Temperature Probe, Broiler Pan

*Element below water reservoir that generates steam

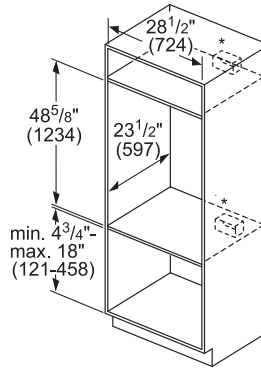
Benchmark™ Speed & Steam Combination Ovens

Product Dimensions



* Power conduit 50" (1270 mm) from the lower oven.

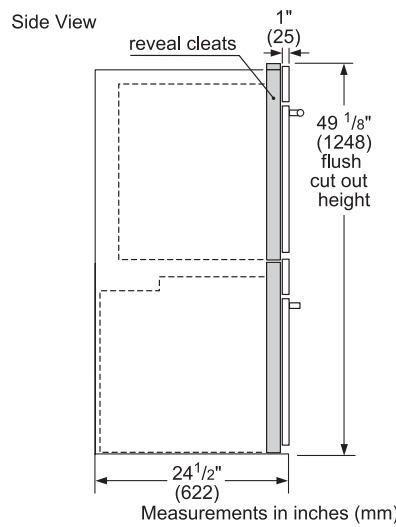
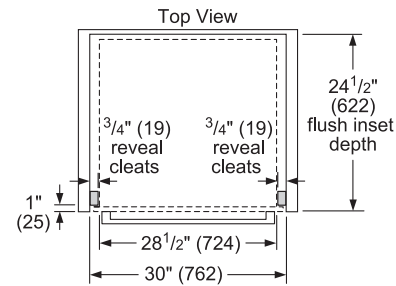
Cutout Dimensions



* Junction box may be installed above, below, or to the left or right of the unit within range of the power conduit.

measurements in inches (mm)

Flush Installation



NOTE: Bosch combination wall ovens can be installed in combination with other Bosch cooking products. See pages 46–49 for details.

Optional Accessories for Speed Combination Oven



Optional Accessories for Steam Convection Combination Oven



500 / 800 Series Combination Ovens



**30" 500 Series
HBL5751UC**

- 240V Speed Microwave Oven (U)
- 4.6 cu. ft. (L)
- European Convection (L)
- Stainless Steel Knobs (L)



**30" 800 Series
HBL8751UC**

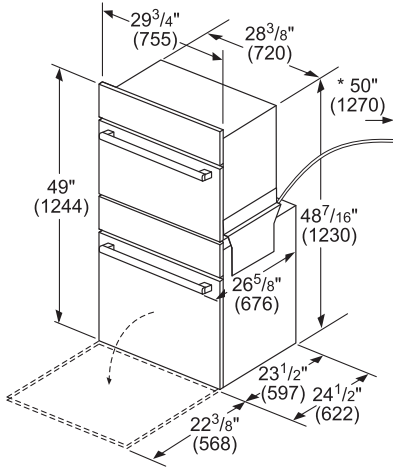
- 240V Speed Microwave Oven (U)
- 4.6 cu. ft. (L)
- + QuietClose™ Door (L)
- + Extension Rack (L)
- + Meat Probe (L)

+ Indicates a step-up feature
U=Upper; L=Lower

	500 Series	800 Series
	Stainless Steel – HBL5751UC	Stainless Steel – HBL8751UC
General Properties		
Cooking modes – upper cavity	Microwave; 12 Auto Programs (including Auto Defrost, Melt Butter, Soften Ice Cream, Pizza), 9 Sensor Cook Programs, 9 AutoChef® Speed Programs, Hi & Lo Broil, European Convection, Keep Warm, Frozen Foods	Microwave; 12 Auto Programs (including Auto Defrost, Melt Butter, Soften Ice Cream, Pizza), 9 Sensor Cook Programs, 9 AutoChef® Speed Programs, Hi & Lo Broil, European Convection, Keep Warm, Frozen Foods
Cooking modes – lower cavity	Bake, Variable Broil (hi & low), Roast, Warm, Sabbath, Proof Dough, Convection Bake, Convection Broil, Convection Roast, Pizza, Multi Rack Genuine European Convection, Convection Conversion	Bake, Variable Broil (hi & low), Roast, Warm, Sabbath, Proof Dough, Convection Bake, Convection Broil, Convection Roast, Pizza, Multi Rack Genuine European Convection, Convection Conversion, Temperature Probe, Fast Preheat
Cleaning type – lower cavity	Self Clean	Self Clean
Telescopic rack	0	1
Illumination type	Incandescent (Upper and Lower)	Incandescent (Upper and Lower)
Interior lights – upper / lower cavity	1 / 1	1 / 2
Oven Performance		
Microwave power – upper cavity	1000 W	1000 W
Bake / broil element wattages – upper cavity	600 / 1,750 W	600 / 1,750 W
Convection element wattages – upper cavity	1,700 W	1,700 W
Bake / broil element wattages – lower cavity	2,400 / 3,800 W	2,400 / 3,800 W
Convection element wattages – lower cavity	2,000 W	2,000 W
Technical Details		
Watts (W)	9,725 W	9,725 W
Circuit breaker (A)	40 A	40 A
Volts (V); Frequency (Hz)	240 / 208 V; 60 Hz	240 / 208 V; 60 Hz
Power cord length (in)	50"	50"
Plug type	Fixed Connection, No Plug	Fixed Connection, No Plug
Energy source	Electric	Electric
Dimensions & Weight		
Overall appliance dimensions (HxWxD) (in)	49" x 29 3/4" x 24 1/2"	49" x 29 3/4" x 24 1/2"
Required cutout size(HxWxD) (in)	48 5/8" x 28 1/2" x 23 1/2"	48 5/8" x 28 1/2" x 23 1/2"
Overall upper oven interior dimensions (HxWxD) (in.)	9 7/8" x 16 1/2" x 16 1/2"	9 7/8" x 16 1/2" x 16 1/2"
Turntable – Metal Max. Cookware	12 3/4" dia.	12 3/4" dia.
Turntable – Ceramic Max. Cookware	12 1/2" dia.	12 1/2" dia.
Rack – Rectangular Cookware Max.	15" x 12"	15" x 12"
Oven cavity size – lower cavity (cu. ft.)	4.6	4.6
Overall lower oven interior dimensions (HxWxD) (in)	17 13/16" x 24 1/8" x 18"	17 13/16" x 24 1/8" x 18"
Usable lower oven interior dimensions (HxWxD) (in)	12 5/16" x 23 1/4" x 15 1/4"	12 5/16" x 23 1/4" x 15 1/4"
Net weight (lbs)	259 lbs	259 lbs

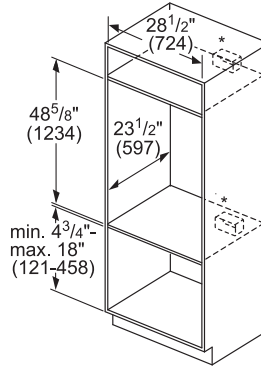
500 / 800 Series Combination Ovens

Product Dimensions



* Power conduit 50" (1270 mm) from the lower oven.

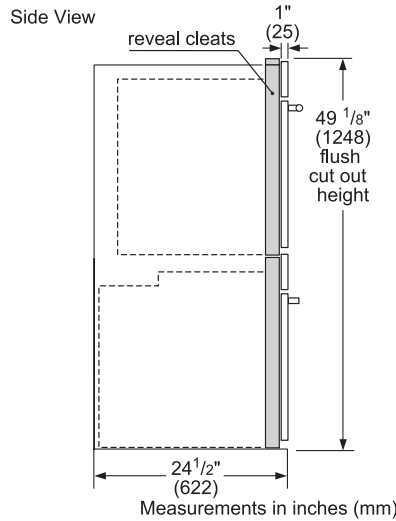
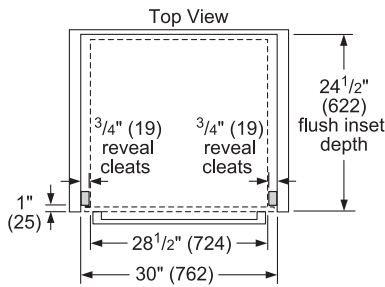
Cutout Dimensions



* Junction box may be installed above, below, or to the left or right of the unit within range of the power conduit.

measurements in inches (mm)

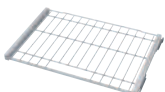
Flush Installation



NOTE: Bosch combination wall ovens can be installed in combination with other Bosch cooking products. See pages 46–49 for details.

Accessories – Included	500 Series	800 Series
Included	Upper Oven: Metal Turntable, Square Rack, Ceramic Cooking Tray Lower Oven: 2 Standard Oven Racks	Upper Oven: Metal Turntable, Square Rack, Ceramic Cooking Tray Lower Oven: 1 Telescopic and 2 Standard Oven Racks, Meat Probe

Optional Accessories



HEZTR301
30" Telescopic Rack

Benchmark™ Double Ovens



**Standard
Opening Door
HBLP651UC**



**SideOpening
Left Swing
Door
HBLP651LUC**



**SideOpening
Right Swing
Door
HBLP651RUC**

**30" Benchmark™
Double Ovens**

- European Convection (U&L)
- Color TFT Control Panel (U)
- Halogen Lights (U&L)
- AutoProbe (U)

U=Upper; L=Lower

30" Benchmark™

Standard Opening Stainless Steel – HBLP651UC
 SideOpening Left Swing Stainless Steel – HBLP651LUC
 SideOpening Right Swing Stainless Steel – HBLP651RUC

General Properties

Cooking modes – upper cavity	Bake, Variable Broil (hi & low), Roast, Warm, Sabbath, Proof Dough, Convection Bake, Convection Broil, Convection Roast, Pizza, Multi Rack Genuine European Convection, Convection Conversion, AutoProbe, Fast Preheat, EcoChef, Speed Convection (Frozen Foods)
Cooking modes – lower cavity	Identical to Upper Cavity (Exception: Lower Cavity Does not Feature Temperature Probe and EcoChef)
Cleaning type – upper cavity	Self Clean
Cleaning type – lower cavity	Self Clean
Telescopic rack	1
Illumination type – upper / lower cavity	Halogen
Interior lights – upper cavity	2
Interior lights – lower cavity	2

Oven Performance

Bake / broil element wattages – upper cavity	2,400 / 3,800 W
Convection element wattages – upper cavity	2,000 W
Bake / broil element wattages – lower cavity	2,400 / 3,800 W
Convection element wattages – lower cavity	2,000 W

Technical Details

Watts (W)	9,125 W
Circuit breaker (A)	40 A
Volts (V)	240 / 208 V
Frequency (Hz)	60 Hz
Power cord length (in)	50"
Plug type	Fixed Connection, No Plug
Energy source	Electric

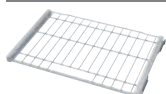
Dimensions & Weight

Overall appliance dimensions (HxWxD) (in)	52 1/16" x 29 3/4" x 24 1/2"
Required cutout size (HxWxD) (in)	49 3/4" – 51 1/2" x 28 1/2" x 23 1/2"
Oven cavity size – lower cavity (cu. ft.)	4.6
Overall oven interior dimensions (HxWxD) (in)	17 13/16" x 24 1/8" x 18"
Usable oven interior dimensions (HxWxD) (in)	12 5/16" x 23 1/4" x 15 1/4"
Net weight (lbs)	261 lbs

Accessories – Included

Included	Upper Oven: 1 Telescopic and 2 Standard Oven Racks, Temperature Probe, Broiler Pan Lower Oven: 3 Standard Oven Racks
----------	--

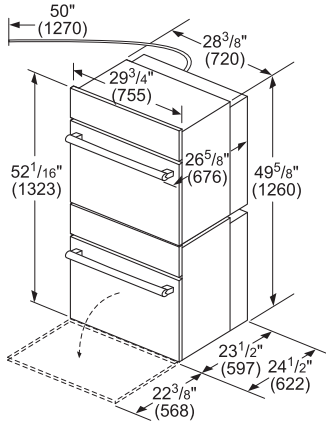
Optional Accessories



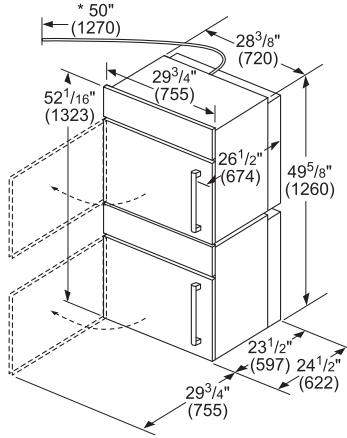
HEZTR301
30" Telescopic Rack

Benchmark™ Double Ovens

30" Double Wall Oven

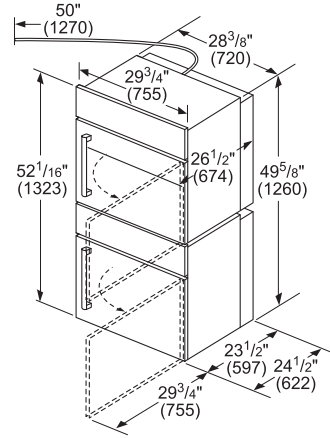


30" SideOpening Left Swing Door



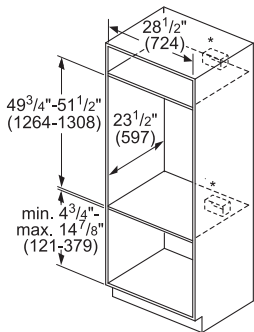
** Allow 3/4" (19 mm) gap to nearest cabinet face for door swing on SideOpening models

30" SideOpening Right Swing Door



** Allow 3/4" (19 mm) gap to nearest cabinet face for door swing on SideOpening models

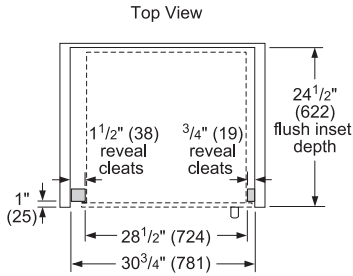
All 30" Double Wall Ovens



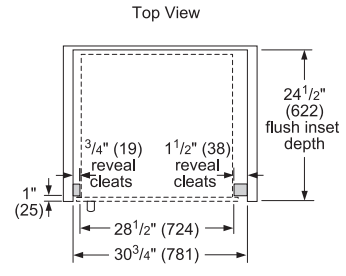
* Junction box may be installed above, below, or to the left or right of the unit within range of the power conduit.

measurements in inches (mm)

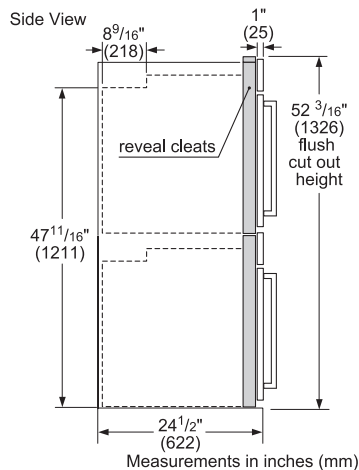
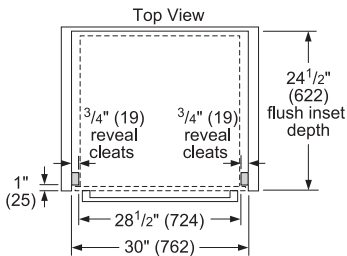
30" SideOpening Left Swing Door Flush Installation



30" SideOpening Right Swing Door Flush Installation



30" Double Wall Oven Flush Installation



Measurements in inches (mm)

NOTE: Bosch double wall ovens can be installed in combination with other Bosch cooking products. See pages 46–49 for details.

500 / 800 Series Double Ovens



- 30" 500 Series
HBL5551UC**
- 4.6 cu. ft.
 - Thermal Cooking (U&L)
 - Stainless Steel Knobs



- 500 Series
30" HBL5651UC
27" HBN5651UC**
- 4.6 cu. ft.
 - + European Convection (U), Thermal Cooking (L)

27"



- 800 Series
30" HBL8651UC
30" HBL8661UC
27" HBN8651UC**
- 4.6 cu. ft.
 - + European Convection (U), Thermal Cooking (L)
 - + QuietClose™ Door (U&L)
 - + Extension Rack (U)
 - + Meat Probe (U)

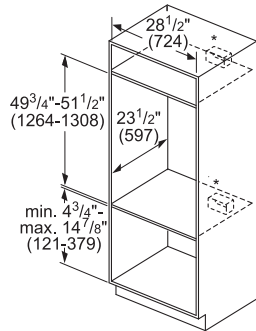
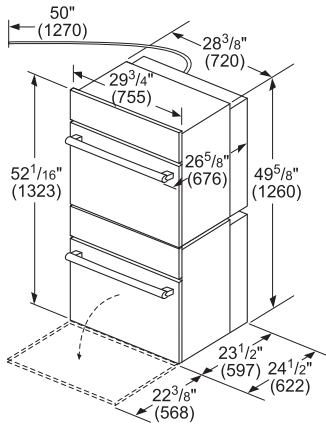
Black
27"

+ Indicates a step-up feature
U=Upper; L=Lower

	500 Series	500 Series	800 Series
	30" Stainless Steel – HBL5551UC	30" Stainless Steel – HBL5651UC 27" Stainless Steel – HBN5651UC	30" Stainless Steel – HBL8651UC 30" Black – HBL8661UC 27" Stainless Steel – HBN8651UC
General Properties			
Cooking modes – upper cavity	Bake, Variable Broil (hi & low), Roast, Warm, Sabbath	Bake, Variable Broil (hi & low), Roast, Warm, Sabbath, Proof Dough, Convection Bake, Convection Broil, Convection Roast, Pizza, Multi Rack Genuine European Convection, Convection Conversion	Bake, Variable Broil (hi & low), Roast, Warm, Sabbath, Proof Dough, Convection Bake, Convection Broil, Convection Roast, Pizza, Multi Rack Genuine European Convection, Convection Conversion, Temperature Probe, Fast Preheat
Cooking modes – lower cavity	Bake, Variable Broil (hi & low), Roast, Warm, Sabbath	Bake, Variable Broil (hi & low), Roast, Warm, Sabbath	Bake, Variable Broil (hi & low), Roast, Warm, Sabbath
Cleaning type – upper & lower cavity	Self Clean	Self Clean	Self Clean
Telescopic rack	0	0	1
Illumination type – upper & lower cavity	Incandescent	Incandescent	Incandescent
Interior lights – upper cavity	1	2	2
Interior lights – lower cavity	1	30": 1; 27": 2	30": 1; 27": 2
Oven Performance			
Bake / Broil element wattages – upper & lower cavity	2,400 / 3,800 W	2,400 / 3,800 W	2,400 / 3,800 W
Convection element wattages – upper cavity	N/A	2,000 W	2,000 W
Technical Details			
Watts (W)	7,805 W	30": 8,455 W; 27": 8,535 W	30": 8,495 W; 27": 8,535 W
Volts (V), Frequency (Hz), Circuit breaker (A)	240 / 208 V, 60 Hz, 40 A	240 / 208 V, 60 Hz, 40 A	240 / 208 V, 60 Hz, 40 A
Power cord length (in); Plug type	50"; Fixed connection, no plug	50"; Fixed connection, no plug	50"; Fixed connection, no plug
Energy source	Electric	Electric	Electric
Dimensions & Weight			
Overall appliance dimensions (HxWxD) (in)	52 1/16" x 29 3/4" x 24 1/2"	30": 52 1/16" x 29 3/4" x 24 1/2" 27": 52 1/16" x 26 3/4" x 24 1/2"	30": 52 1/16" x 29 3/4" x 24 1/2" 27": 52 1/16" x 26 3/4" x 24 1/2"
Required cutout size (HxWxD) (in)	49 3/4" – 51 1/2" x 28 1/2" x 23 1/2"	30": 49 3/4" – 51 1/2" x 28 1/2" x 23 1/2" 27": 49 3/4" – 51 1/2" x 25 1/2" x 23 1/2"	30": 49 3/4" – 51 1/2" x 28 1/2" x 23 1/2" 27": 49 3/4" – 51 1/2" x 25 1/2" x 23 1/2"
Oven cavity size (cu. ft.)	4.6	30": 4.6; 27": 3.9	30": 4.6; 27": 3.9
Overall oven interior dimensions (HxWxD) (in)	17 13/16" x 24 1/8" x 18"	30": 17 13/16" x 24 1/8" x 18" 27": 17 13/16" x 21 1/16" x 18"	30": 17 13/16" x 24 1/8" x 18" 27": 17 13/16" x 21 1/16" x 18"
Usable oven interior dimensions (HxWxD) (in)	12 5/16" x 23 1/4" x 15 1/4"	30": 12 5/16" x 23 1/4" x 15 1/4" 27": 12 5/16" x 20 1/4" x 15 1/4"	30": 12 5/16" x 23 1/4" x 15 1/4" 27": 12 5/16" x 20 1/4" x 15 1/4"
Net weight (lbs)	261 lbs	30": 261 lbs; 27": 243 lbs	30": 261 lbs; 27": 243 lbs
Accessories – Included			
	Upper Oven: 2 Standard Oven Racks Lower Oven: 2 Standard Oven Racks	Upper Oven: 2 Standard Oven Racks Lower Oven: 2 Standard Oven Racks	Upper Oven: 1 Telescopic and 2 Standard Oven Racks, Temperature Probe Lower Oven: 2 Standard Oven Racks

500 / 800 Series Double Ovens

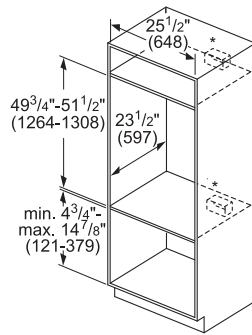
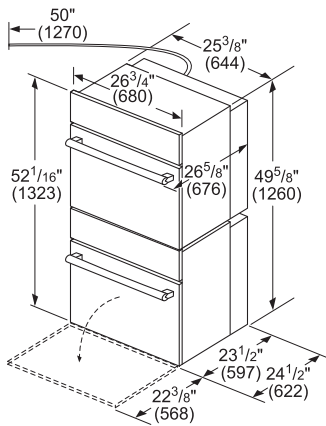
30" Double Wall Oven



* Junction box may be installed above, below, or to the left or right of the unit within range of the power conduit.

measurements in inches (mm)

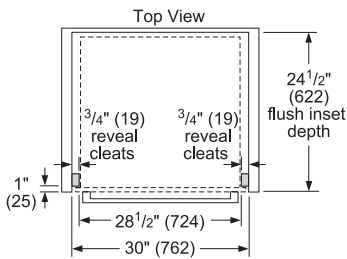
27" Double Wall Oven



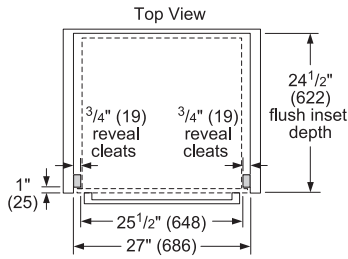
* Junction box may be installed above, below, or to the left or right of the unit within range of the power conduit.

measurements in inches (mm)

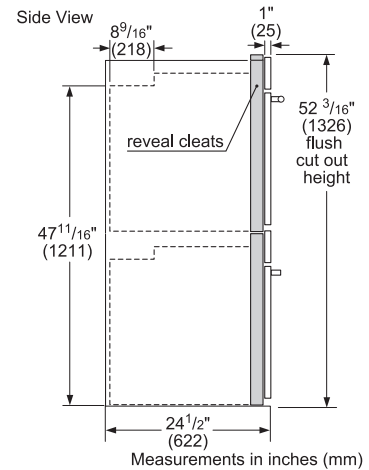
30" Double Wall Oven Flush Install



27" Single Wall Oven Flush Install



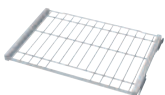
Double Wall Oven Flush Installation



Measurements in inches (mm)

NOTE: Bosch double wall ovens can be installed in combination with other Bosch cooking products. See pages 46–49 for details.

Optional Accessories for 30" Double Wall Ovens



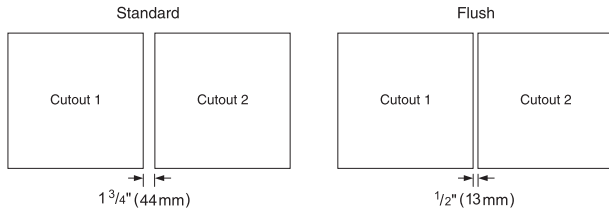
HEZTR301
30" Telescopic Rack

Guide to Installing Bosch Wall Ovens with Other Products



Benchmark™ Wall Ovens (All Models)

Side-by-Side Installation.



The ovens will overlap the cutout resulting in a 1/2" (13mm) spacing between the products

SideOpening Door Models: If another product is installed adjacent to the side hinge we recommend to increase each distance by an additional 1/4" (6mm) to leave room for the door to open and close freely.

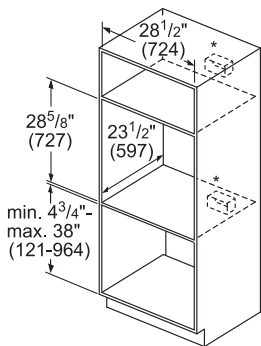
IMPORTANT: The spacing between cutouts applies when installing any Bosch 30" or 27" single, double, combination and 27"/30" compact oven in a side-by-side installation.

Benchmark™ Steam Convection Oven

Installed in combination with other products.

Standard Installation

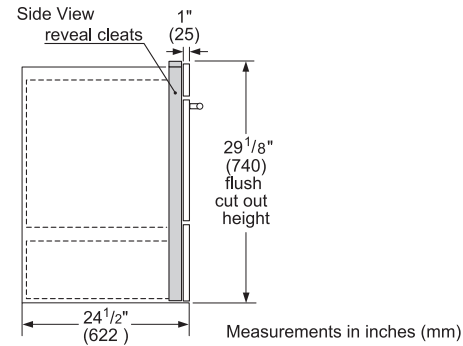
30" Steam Convection Oven over Storage or Warming Drawer



* For installation into a wall cabinet, the receptacle may be installed above, below, or to the left or right of the unit within range of the power cord.

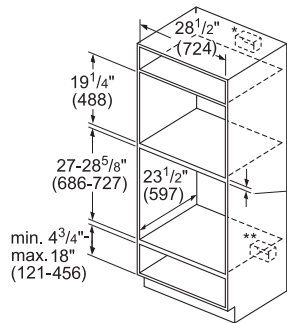
Flush Installation

Steam Convection Oven over Storage or Warming Drawer



Standard Installation

30" Steam Convection Oven over Single Oven***



*Junction box may be located above or next to the unit within the reach of the power cord.

**Junction box may be located below (depending on space) or next to the unit within the reach of the power cord.

***Most combinations available as combo oven (one cut out, one electrical hook up).

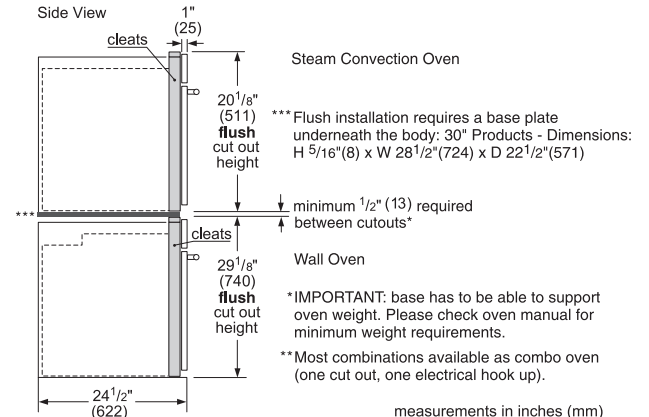
Minimum dimension between cut outs:
 • 1" (25mm) for wall oven cut out of 28 5/8"
 • 2 5/8" (67mm) for wall oven cut out of 27"

measurements in inches (mm)

NOTE: This configuration is available as a combo oven (one cut out, one electrical hook up) – HSLP751UC

Flush Installation

Steam Convection Oven over Single Oven**



Steam Convection Oven

*** Flush installation requires a base plate underneath the body: 30" Products - Dimensions: H 5 1/16"(8) x W 28 1/2"(724) x D 22 1/2"(571)

minimum 1/2" (13) required between cutouts*

Wall Oven

*IMPORTANT: base has to be able to support oven weight. Please check oven manual for minimum weight requirements.

**Most combinations available as combo oven (one cut out, one electrical hook up).

measurements in inches (mm)

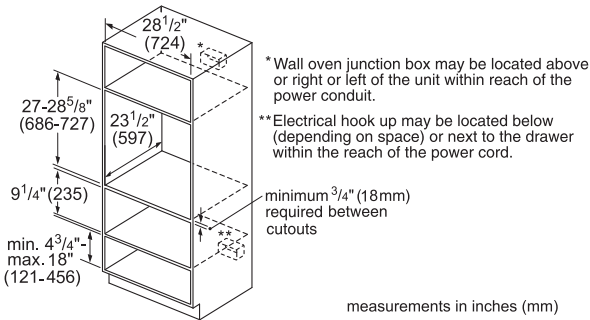
NOTE: This configuration available as a combo oven. See Note at left for details.

Benchmark™ Single Wall Ovens

Installed in combination with other products.

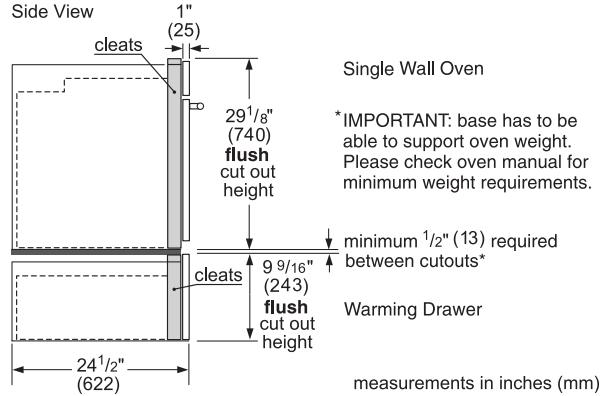
Standard Installation

30" Single Oven over Storage or Warming Drawer



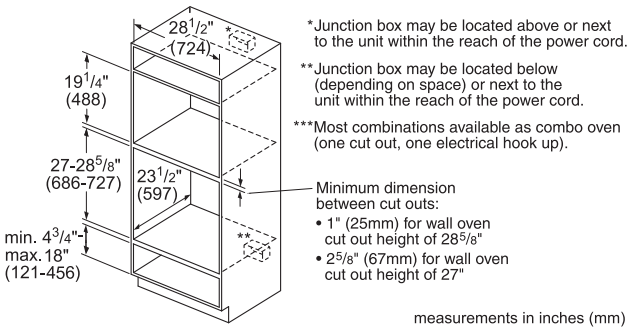
Flush Installation

Single Oven over Storage or Warming Drawer



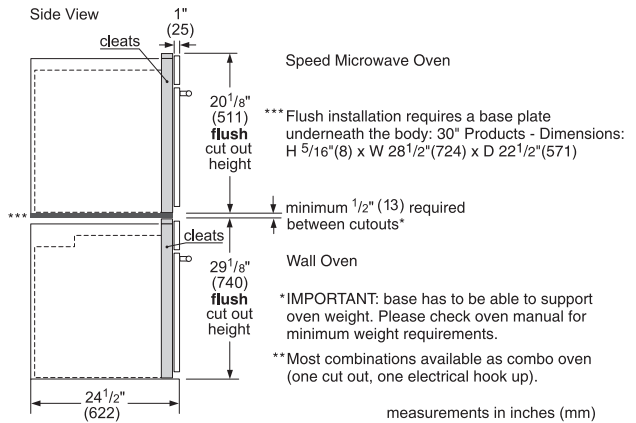
Standard Installation

30" Speed Microwave Oven over Single Oven***



Flush Installation

Speed Microwave Oven over 30" Single Oven**

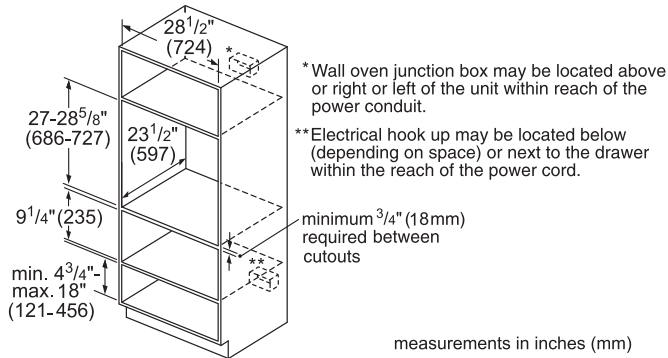


Benchmark™ Single Wall Ovens SideOpening Door

Installed in combination with other products.

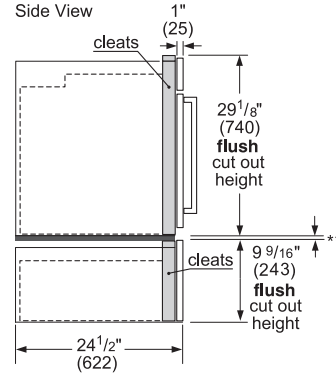
Standard Installation

30" Single Oven over Storage or Warming Drawer



Flush Installation

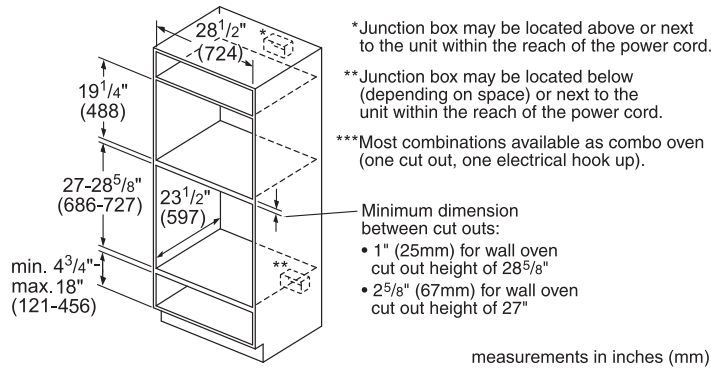
Single Oven over Storage or Warming Drawer



Single Wall Oven

Standard Installation

30" Speed Microwave Oven over Single Oven***



* IMPORTANT: base has to be able to support oven weight. Please check oven manual for minimum weight requirements.

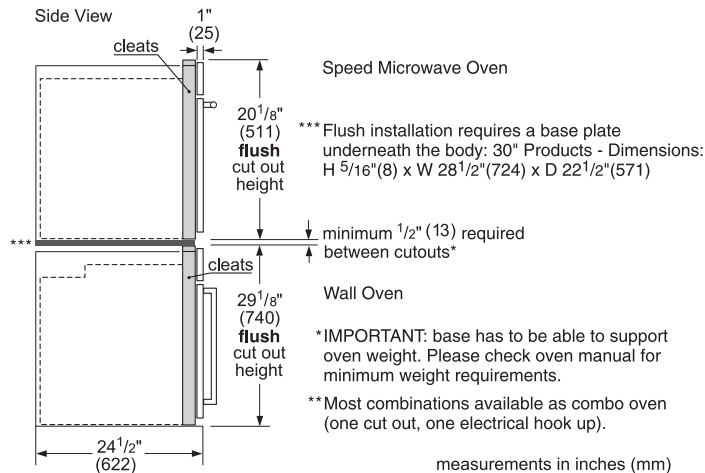
** minimum 1/2" (13) required between cutouts*

Warming Drawer

measurements in inches (mm)

Flush Installation

Speed Microwave Oven over 30" Single Oven**

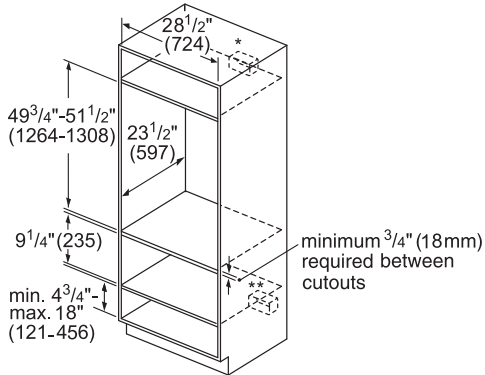


Benchmark™ Double Wall Ovens

Installed in combination with other products.

Standard Installation

30" Double Oven over Storage or Warming Drawer



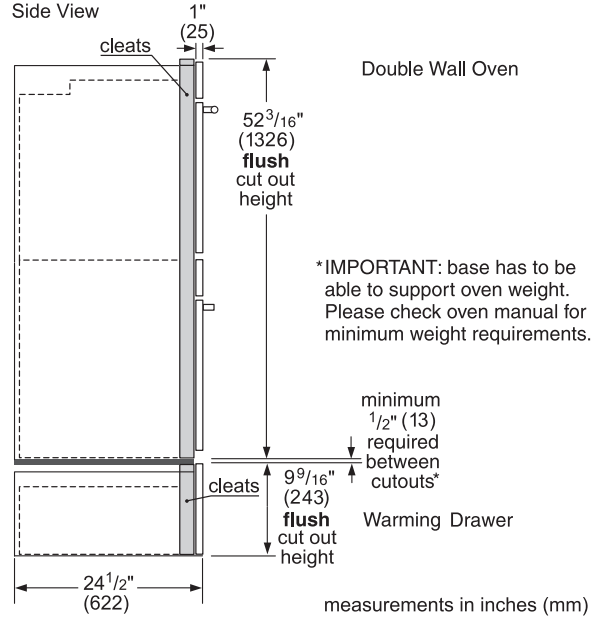
measurements in inches (mm)

* Wall oven junction box may be located above or right or left of the unit within reach of the power conduit.

** Electrical hook up may be located below (depending on space) or next to the drawer within the reach of the power cord.

Flush Installation

Double Oven over Storage or Warming Drawer



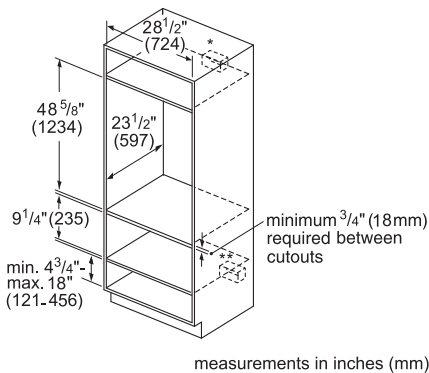
measurements in inches (mm)

Benchmark™ Combination Ovens

Installed in combination with other products.

Standard Installation

Combination Oven over Storage or Warming Drawer



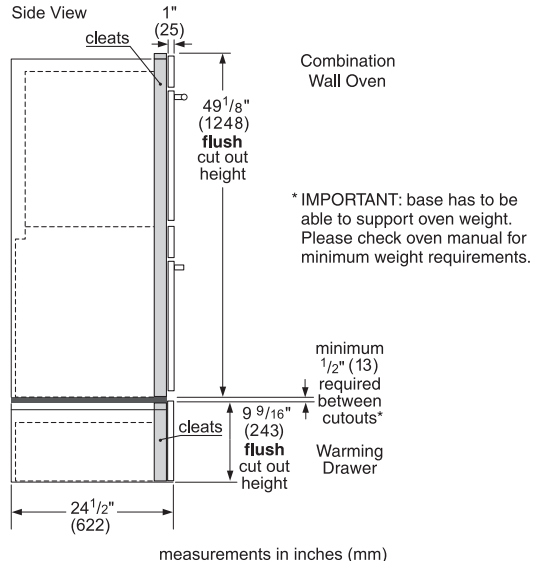
measurements in inches (mm)

* Wall oven junction box may be located above or right or left of the unit within reach of the power conduit.

** Electrical hook up may be located below (depending on space) or next to the drawer within the reach of the power cord.

Flush Installation

Combination Oven over Storage or Warming Drawer



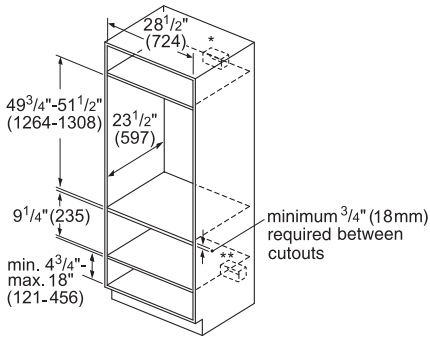
measurements in inches (mm)

Benchmark™ Double Wall Ovens SideOpening Door

Installed in combination with other products.

Standard Installation

30" Double Oven over Storage or Warming Drawer



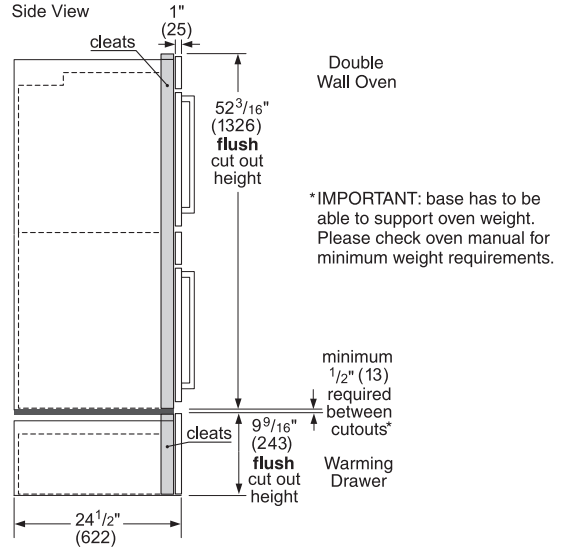
measurements in inches (mm)

* Wall oven junction box may be located above or right or left of the unit within reach of the power conduit.

** Electrical hook up may be located below (depending on space) or next to the drawer within the reach of the power cord.

Flush Installation

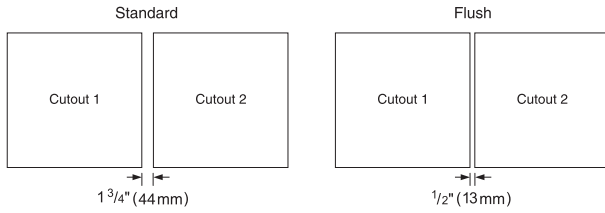
Double Oven over Storage or Warming Drawer



measurements in inches (mm)

500 / 800 Series Wall Ovens (All Models)

Side-by-Side Installation.



SideOpening Door Models: If another product is installed adjacent to the side hinge we recommend to increase each distance by an additional 1/4" (6mm) to leave room for the door to open and close freely.

The ovens will overlap the cutout resulting in a 1/2" (13mm) spacing between the products

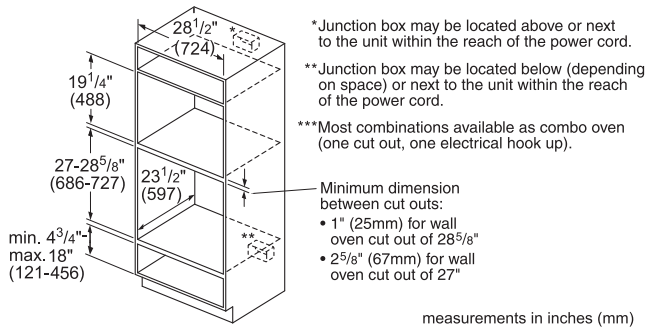
IMPORTANT: The spacing between cutouts applies when installing any Bosch 30" or 27" single, double, combination and 27"/30" compact oven in a side-by-side installation.

500 / 800 Series 30" Single Wall Ovens

Installed in combination with other products.

Standard Installation

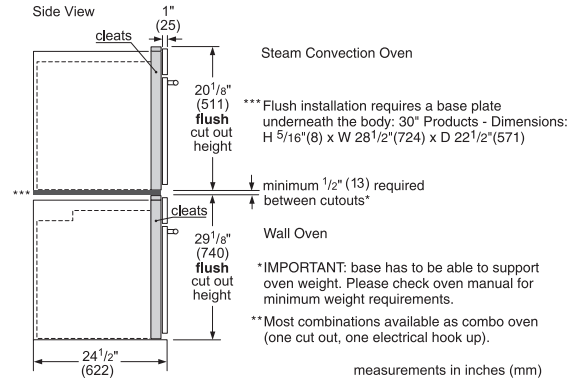
30" Speed Microwave Oven over Single Oven***



NOTE: This configuration is available as a combo oven (one cut out, one electrical hook up) – HBL5751UC (500 series) and HBL8751UC (800 series)

Flush Installation

30" Speed Microwave Oven over Single Oven**



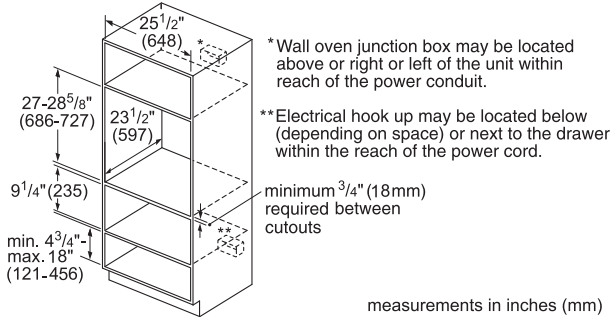
NOTE: This configuration available as a combo oven. See Note at left for details.

500 / 800 Series 27" Single Wall Ovens

Installed in combination with other products.

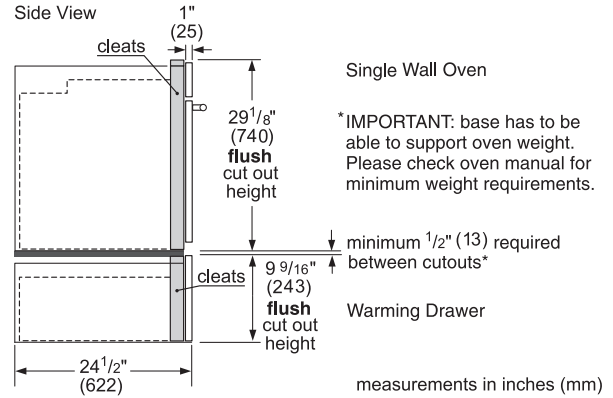
Standard Installation

27" Single Oven over Warming Drawer



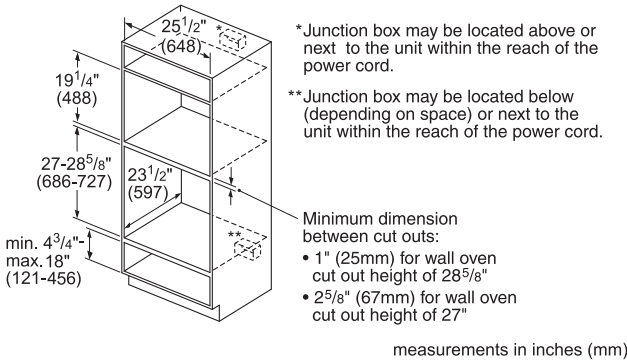
Flush Installation

Single Oven over Warming Drawer



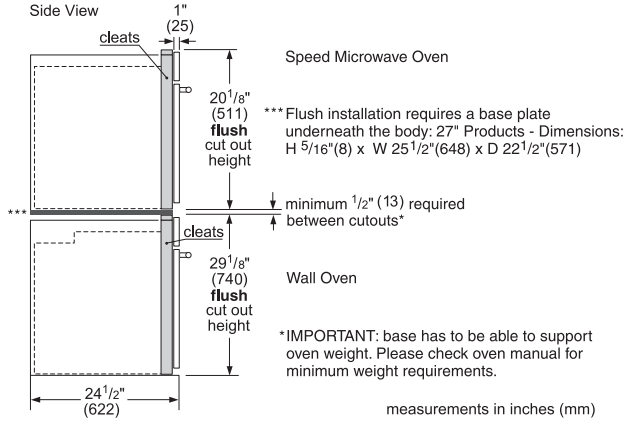
Standard Installation

27" Speed Microwave Oven over Single Oven



Flush Installation

Speed Microwave Oven over 27" Single Oven

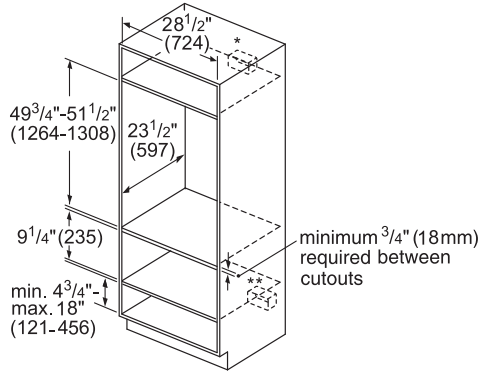


500 / 800 Series 30" Double Wall Ovens

Installed in combination with other products.

Standard Installation

30" Double Oven over Storage or Warming Drawer

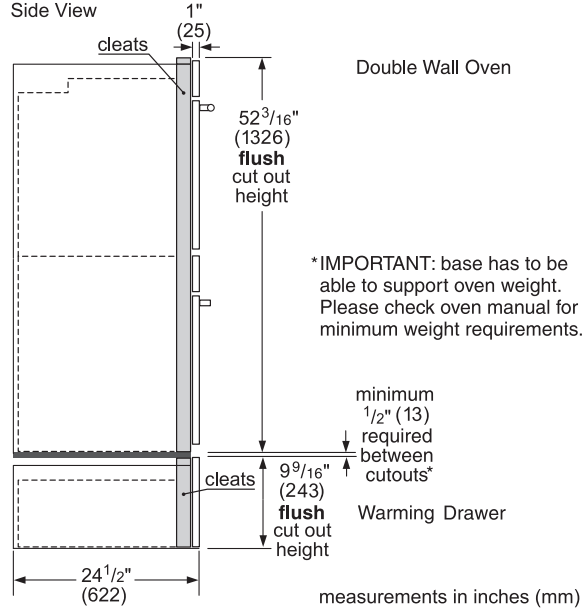


* Wall oven junction box may be located above or right or left of the unit within reach of the power conduit.

** Electrical hook up may be located below (depending on space) or next to the drawer within the reach of the power cord.

Flush Installation

Double Oven over Storage or Warming Drawer

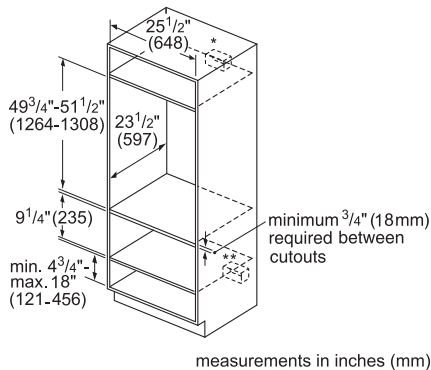


500 / 800 Series 27" Double Wall Ovens

Installed in combination with other products.

Standard Installation

27" Double Oven over Warming Drawer

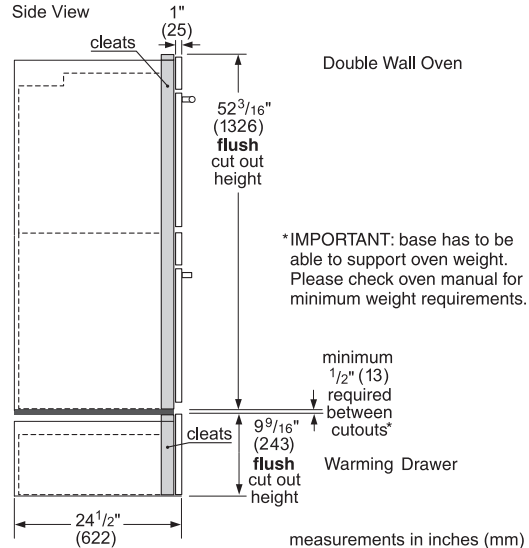


* Wall oven junction box may be located above or right or left of the unit within reach of the power conduit.

** Electrical hook up may be located below (depending on space) or next to the drawer within the reach of the power cord.

Flush Installation

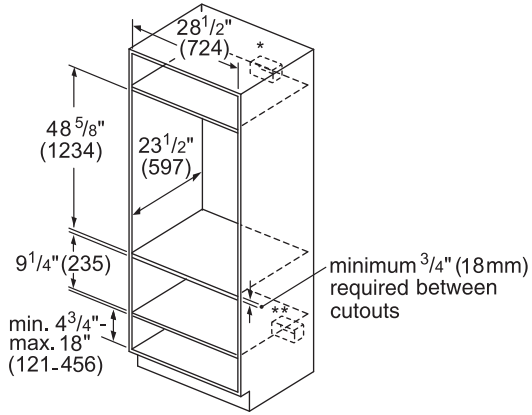
Double Oven over Warming Drawer



500 / 800 Speed Combination Ovens

Installed in combination with other products.

Standard Installation Combination Oven over Storage or Warming Drawer

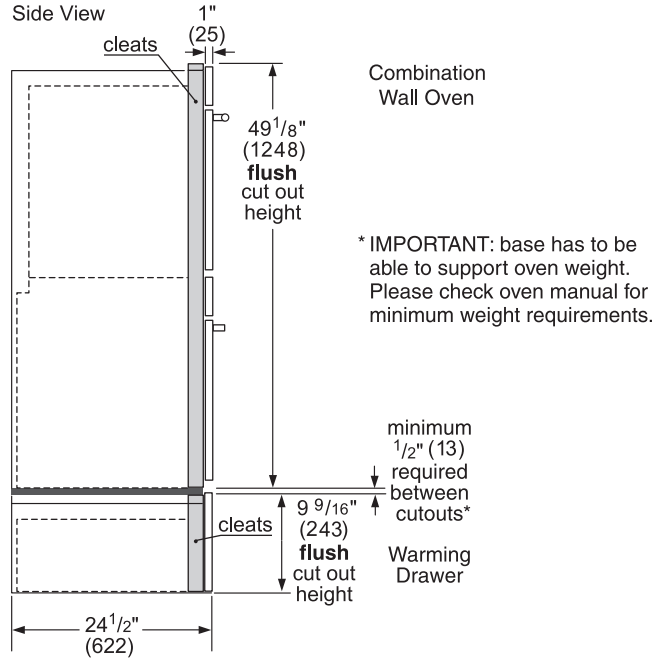


measurements in inches (mm)

* Wall oven junction box may be located above or right or left of the unit within reach of the power conduit.

** Electrical hook up may be located below (depending on space) or next to the drawer within the reach of the power cord.

Flush Installation Combination Oven over Storage or Warming Drawer



measurements in inches (mm)

* IMPORTANT: base has to be able to support oven weight. Please check oven manual for minimum weight requirements.