

Microwaves & Drawers

They impact designs. Not space.



With more options than ever, choose from speed microwave ovens, drawer microwaves, over-the-range microwaves, warming drawers and storage drawers to match the sleek design of the Bosch kitchen.

Bosch speed microwave ovens pair the precision of convection oven cooking with the speed of microwave technology. They can be combined with a warming drawer or a storage drawer to align horizontally with our single wall oven and are available in combination oven models. Bosch speed microwave ovens are available in 30" or 27" widths.

Drawer microwave ovens open and close automatically with the push of a button, and are the perfect solution for under-counter installations.



Benchmark™ Microwaves

A recipe for flexibility.



It's Faster, It's Better, It's a New Way of Cooking

The Bosch speed microwave oven is an upgrade over the standard microwave oven. It offers fast and oven-quality cooking with European Convection, AutoChef™, Broil, and Microwave.



Array of Installation Options

The Bosch speed microwave oven and steam convection oven were designed for perfect horizontal alignment with the Bosch wall oven, when installed in conjunction with the storage and warming drawers. The Bosch speed microwave oven and steam convection oven can also be installed vertically. Either installation can be flush inset or as an overlay, without the need for trim kits.

Benchmark™ Speed Microwave Oven



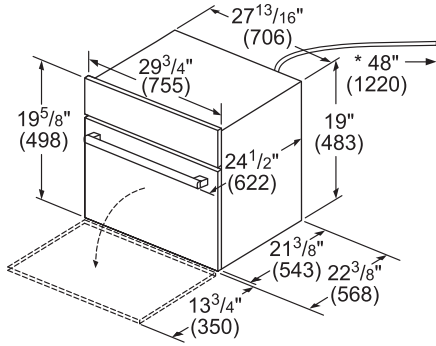
30" Benchmark™ Speed Microwave HMC80251UC

- 1.6 cu. ft.
- European Convection, Broil, Microwave
- 9 AutoChef™ Programs
- 240v, Direct Wire
- Faster Cooking Results

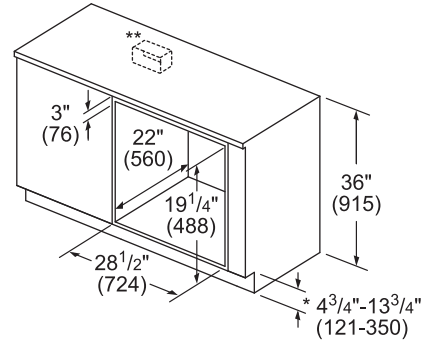
Benchmark™	
Stainless Steel – HMC80251UC	
General Properties	
Cavity material	Stainless steel
Max. microwave power (W)	1,000 W
Capacity	
Cavity capacity (cu. ft.)	1.6
Turntable diameter (in.)	14 1/8"
Technical Details	
Watts (W)	3,840 W
Circuit breaker (A)	20 A
Volts (V)	208 – 240 V
Frequency (Hz)	60 Hz
Power cord length (in)	48"
Plug type	Fixed connection
Dimensions & Weight	
Overall appliance dimensions (HxWxD) (in)	19 5/8" x 29 3/4" x 22 3/8"
Required cutout size (HxWxD) (in)	19 1/4" x 28 1/2" x 22"
Oven overall interior dimensions (HxWxD) (in.)	9 7/8" x 16 1/2" x 16 1/2"
Turntable – Metal Max. Cookware	12 3/4" dia.
Turntable – Ceramic Max. Cookware	12 1/2" dia.
Rack – Rectangular Cookware Max.	15" x 12"
Net weight (lbs)	92 lbs
Accessories – Included	
Included	Metal turntable, cooking rack, ceramic cooking tray

Benchmark™ Speed Microwave Oven

Product Dimensions

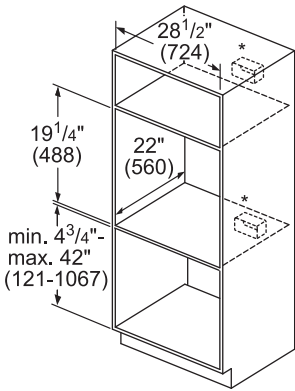


Under-Counter Installation



- * Includes ³/₄" (19) base plate
- ** Receptacle may be located to the left or right of the unit within reach of the power cord.

Wall Mounted Installation



- * Receptacle may be located above or beneath the unit within reach of the power cord.

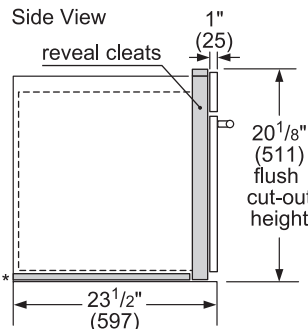
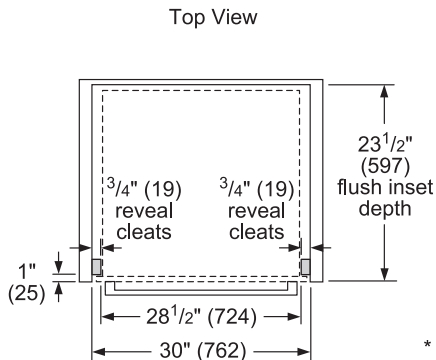
measurements in inches (mm)

Example Flush Install



Single wall oven shown.

Flush Installation



- * Flush installation requires a ⁵/₁₆" (8 mm) high x 28¹/₂" (724 mm) wide x 22¹/₂" (571 mm) deep baseplate underneath the unit body.

Measurements in inches (mm)

NOTE: Bosch speed microwave ovens can be installed in combination with other Bosch cooking products. See pages 46–49 for details.

800 Series Speed Microwave Ovens



30" HMC80151UC



27" HMC87151UC

800 Series Speed Microwave Ovens

- 1.6 cu. ft.
- European Convection, Broil, Microwave
- 9 AutoChef™ Programs
- 120v, NEMA 5-20 – 3 Prong Plug

800 Series	
30" Stainless Steel – HMC80151UC	
27" Stainless Steel – HMC87151UC	

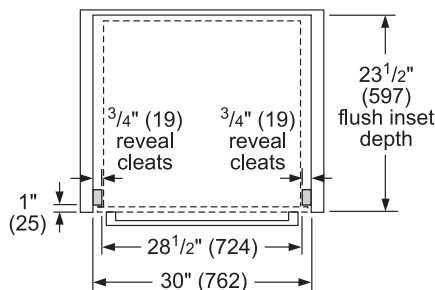
General Properties	
Cavity material	Stainless steel
Max. microwave power (W)	1,000 W
Capacity	
Cavity capacity (cu. ft.)	1.6
Turntable diameter (in.)	14 1/8"
Technical Details	
Watts (W)	1,920 W
Circuit breaker (A)	20 A
Volts (V)	120 V
Frequency (Hz)	60 Hz
Power cord length (in)	43"
Plug type	NEMA 5-20 – 3 prong plug
Dimensions & Weight	
Overall appliance dimensions (HxWxD) (in)	30": 19 5/8" x 29 3/4" x 22 3/8" 27": 19 5/8" x 26 3/4" x 22 3/8"
Required cutout size (HxWxD) (in)	30": 19 1/4" x 28 1/2" x 22" 27": 19 1/4" x 25 1/2" x 22"
Oven overall interior dimensions (HxWxD) (in.)	9 7/8" x 16 1/2" x 16 1/2"
Turntable – Metal Max. Cookware	12 3/4" dia.
Turntable – Ceramic Max. Cookware	12 1/2" dia.
Rack – Rectangular Cookware Max.	15" x 12"
Net weight (lbs)	30": 92 lbs; 27": 87 lbs
Accessories – Included	
Included	Metal turntable, cooking rack, ceramic cooking tray

NOTE: Bosch speed microwave ovens can be installed in combination with other Bosch cooking products. See pages 46–49 for details.



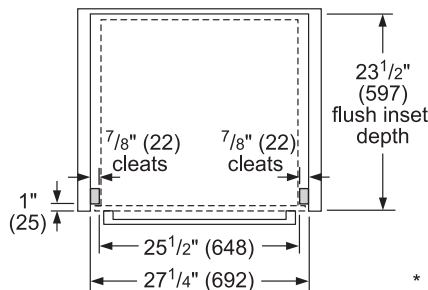
30" Flush Installation

Top View



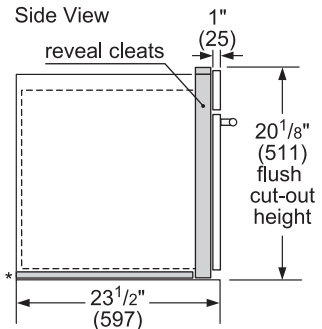
27" Flush Installation

Top View



30" & 27" Flush Installation

Side View

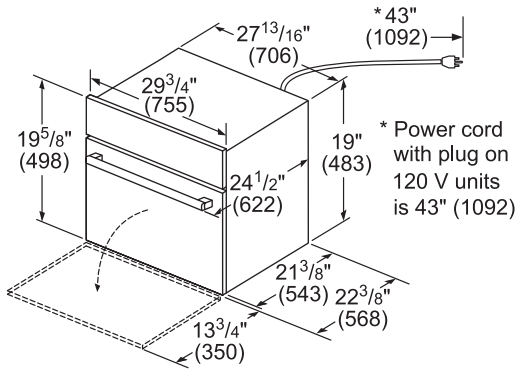


* Flush installation requires a 5/16" (8 mm) high x 28 1/2" (724 mm) wide x 22 1/2" (571 mm) deep baseplate underneath the unit body.

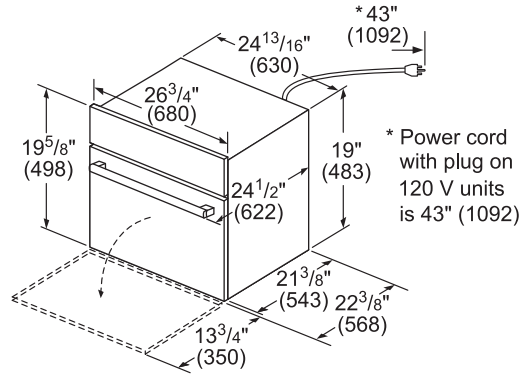
Measurements in inches (mm)

800 Series Speed Microwave Ovens

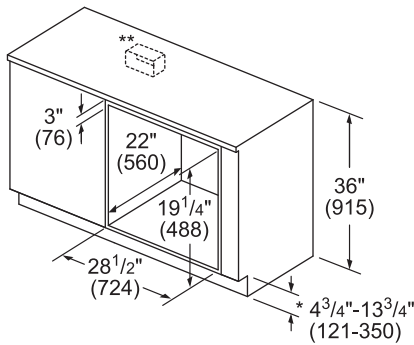
30" Speed Microwave Dimensions



27" Speed Microwave Dimensions

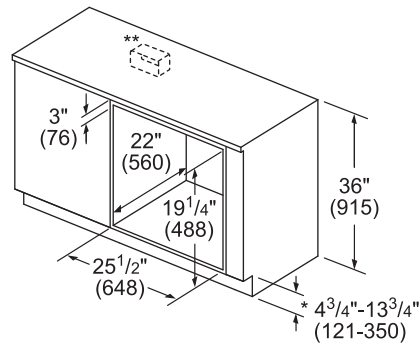


30" Speed Microwave Under-Counter



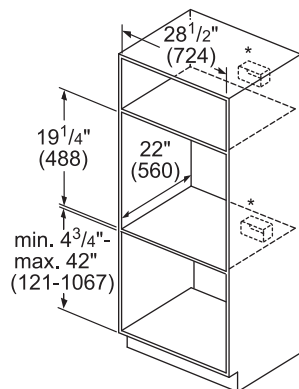
** Receptacle may be located to the left or right of the unit within reach of the power cord.

27" Speed Microwave Under-Counter



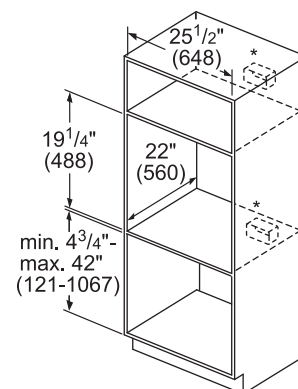
** Receptacle may be located to the left or right of the unit within reach of the power cord.

30" Speed Microwave Wall-Mounted



* Receptacle may be located above or beneath the unit within reach of the power cord.

27" Speed Microwave Wall-Mounted



* Receptacle may be located above or beneath the unit within reach of the power cord.

Measurements in inches (mm)

500 Series Storage and Warming Drawers



30" 500 Series Storage Drawer HSD5051UC

- 2.4 cu. ft.
- Store Oven Mitts, Meat Probe, Oven Racks and other Relevant Cooking Tools
- Installs in One Cut Out Under Steam Convection & Speed Microwave via Included Installation Brackets



500 Series Warming Drawer 30" – HWD5051UC 27" – HWD5751UC

- 2.2 cu. ft. (27" is 1.9 cu. ft.)
- + Warming Drawer
- + 4 Settings, Timer
- Installs in One Cut Out Under Steam Convection & Speed Microwave via Included Installation Brackets (30" only)

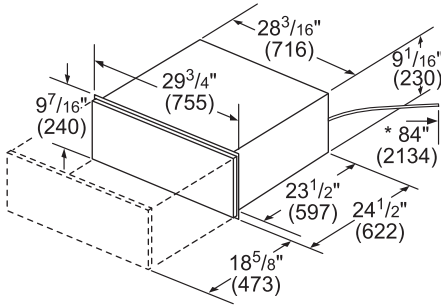
+ Indicates a step-up feature

	Storage Drawer	Warming Drawers
	30" Stainless Steel – HSD5051UC	30" Stainless Steel – HWD5051UC 27" Stainless Steel – HWD5751UC
General Properties		
Power levels	N/A	High, low, medium
Dough proofing mode	N/A	Yes
Temperature range	N/A	100° – 190° F
Timer 5 min. – 5 hours	N/A	Yes
Automatic shut off after 1 hour	N/A	Yes
Door opening	Push to Open	Push to Open
Hinges	Ball bearing hinges	Ball bearing hinges
Wattage heating element	N/A	450 W
Control type	N/A	Illuminated TouchControl
Capacity		
Cavity capacity (cu. ft.)	2.4 cu. ft.	30": 2.2 cu. ft. 27": 1.9 cu. ft.
Technical Details		
Watts (W)	N/A	450 W
Circuit breaker (A)	N/A	15 A
Volts (V)	N/A	120 V
Frequency (Hz)	N/A	60 Hz
Power cord length (in)	N/A	84"
Plug type	N/A	120V – 3 prong
Dimensions & Weight		
Overall appliance dimensions (HxWxD) (in)	9 7/16" x 29 3/4" x 23 1/2"	30": 9 7/16" x 29 3/4" x 23 1/2" 27": 9 7/16" x 26 3/4" x 23 1/2"
Required cutout size (HxWxD) (in)	9 1/4" x 28 1/2" x 23 1/2"	30": 9 1/4" x 28 1/2" x 23 1/2" 27": 9 1/4" x 25 1/2" x 23 1/2"
Net weight (lbs)	47 lbs	30": 55 lbs 27": 50 lbs
Accessories – Included		
Installation brackets	Installation brackets*	Installation brackets for 30" model*
Drawer mat	Rubber mat to protect bottom of drawer	N/A

*To install drawer below speed or steam oven in one cut out (identical to single wall oven cut out)

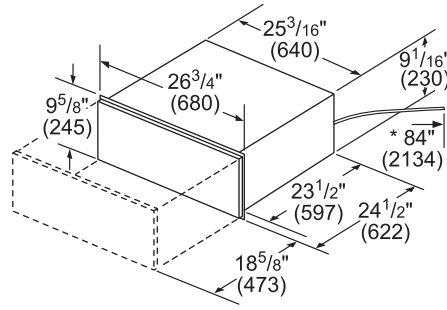
500 Series Storage and Warming Drawers

30" Storage / Warming Drawer Dimensions



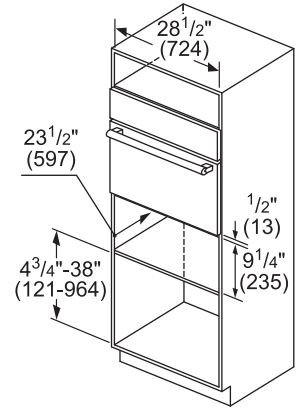
* Power cord on warming drawer is 84" (2134 mm)

27" Warming Drawer Dimensions



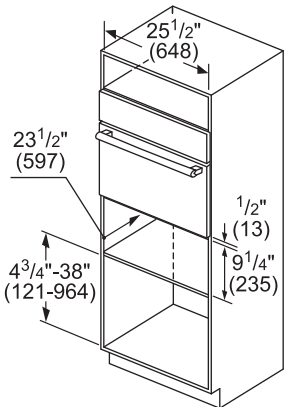
* Power cord on warming drawer is 84" (2134 mm)

30" Storage / Warming Drawer Wall-Mounted



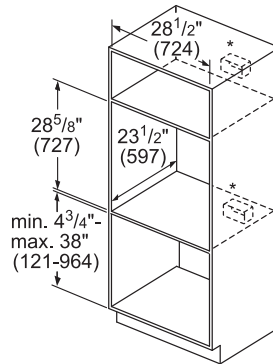
measurements in inches (mm)

27" Warming Drawer Wall-Mounted



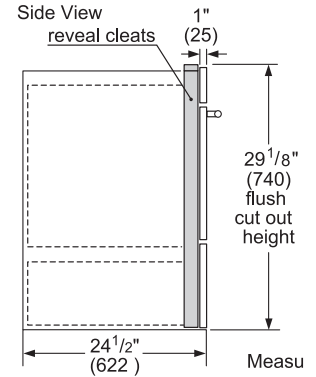
measurements in inches (mm)

30" Speed Microwave Oven over Storage / Warming Drawer



* For installation into a wall cabinet, the receptacle may be installed above, below, or to the left or right of the unit within range of the power cord.

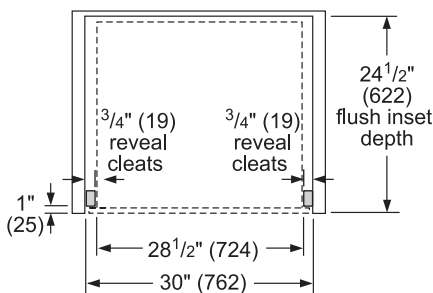
Speed Microwave Oven over Storage / Warming Drawer



Measurements in inches (mm)

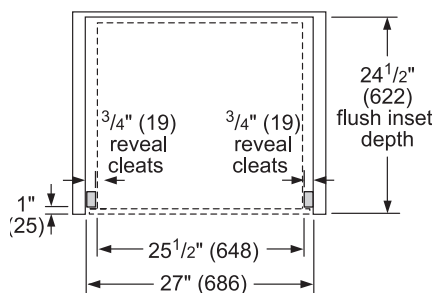
30" Flush Installation

Top View



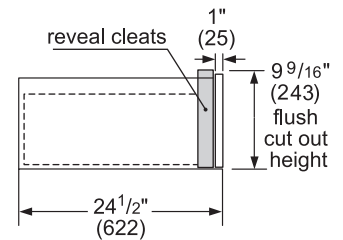
27" Flush Installation

Top View



30" & 27" Flush Installation

Side View



NOTE: See pages 64–73 for planning and installation details when installing Bosch storage and warming drawers combination with other Bosch products.

Benchmark™ Over-the-Range Microwave



**30" Benchmark™
Over-the-Range Microwave
HMVP052U**

- 1.8 cu. ft.
- Triple Distribution System for More Even Cooking
- 1500 Watts Convection Cooking
- Stainless Steel Cavity

30" Benchmark™

Stainless Steel – HMVP052U

General Properties

Cavity material	Stainless steel
Max. microwave power (W)	1,000 W
Max. extraction rate (CFM)	385 CFM
Ducted	Yes
Ductless	Yes
Duct size	3 1/4" x 10"

Capacity

Cavity capacity (cu. ft.)	1.8 cu. ft.
Turntable diameter (in.)	14 3/16"

Technical Details

Watts (W)	1,450 W
Circuit breaker (A)	15 A
Volts (V)	120 V
Frequency (Hz)	60 Hz
Power cord length (in)	39"
Plug type	120V–3 prong

Dimensions & Weight

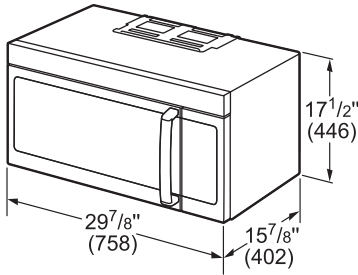
Overall appliance dimensions (HxWxD) (in)	17 1/2" x 29 7/8" x 15 7/8"
Required cutout size (HxWxD) (in)	16 1/2" Min x 30" x 12" Min – 14" Max
Net weight (lbs)	54 lbs

Accessories – Included

Included	Two level cooking rack
----------	------------------------

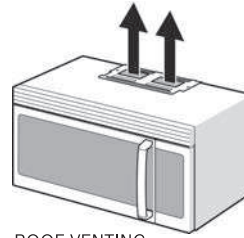
Benchmark™ Over-the-Range Microwave

Product Dimensions

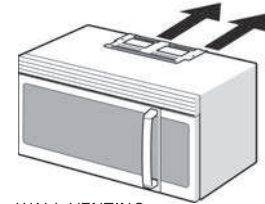


measurements in inches (mm)

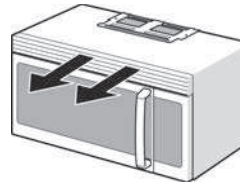
Venting Options



ROOF VENTING

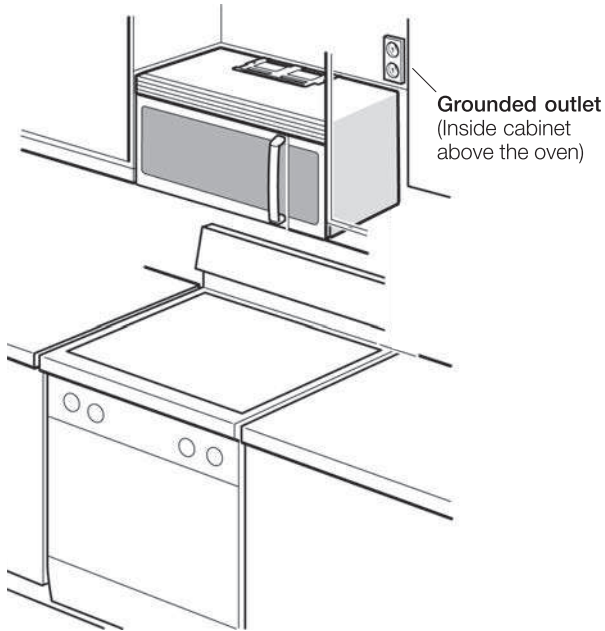


WALL VENTING

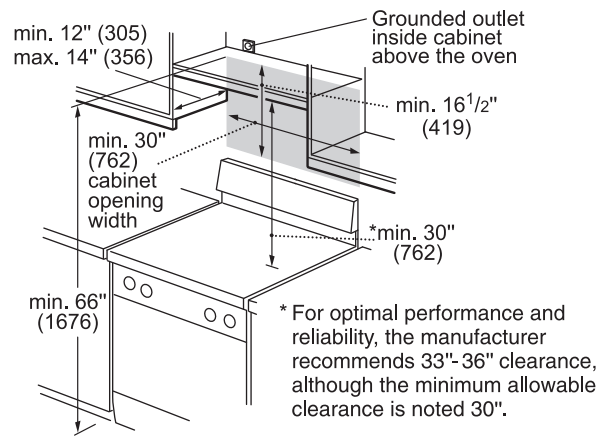


ROOM VENTING

Electrical Connection



Clearance Above Cooktop



measurements in inches (mm)

300 / 500 / 800 Series Over-the-Range Microwaves



300 Series
Over-the-Range Microwaves
HMV3052U (Stainless Steel)
HMV3022U (White)
HMV3062U (Black)

- 1.6 cu. ft.
- 1000 Watts
- Auto Cook Functions
- 300 CFM



500 Series
Over-the-Range Microwave
HMV5052U

- + 2.1 cu. ft.
- + 1100 Watts
- + Sensor Cooking
- + 385 CFM



800 Series
Over-the-Range Microwave
HMV8052U

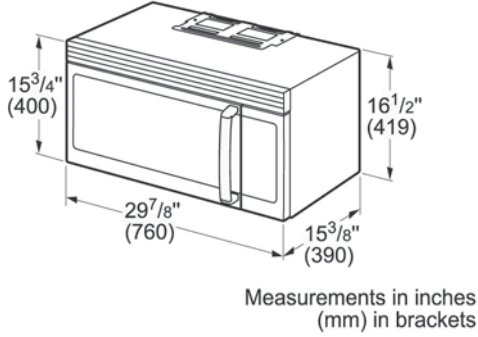
- 1.8 cu. ft.
- 1000 Watts
- + 1500 Watts Convection Cooking
- + Stainless Steel Cavity

+ Indicates a step-up feature

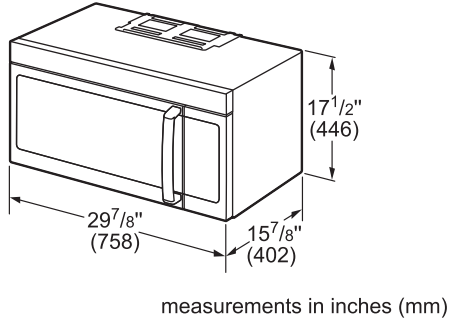
	30" – 300 Series	30" – 500 Series	30" – 800 Series
	Stainless Steel – HMV3052U White – HMV3022U Black – HMV3062U	Stainless Steel – HMV5052U	Stainless Steel – HMV8052U
General Properties			
Cavity color or material	White	White	Stainless steel
Max. microwave power (W)	1,000 W	1,100 W	1,000 W
Max. extraction rate (CFM)	300 CFM	385 CFM	385 CFM
Ducted	Yes	Yes	Yes
Ductless	Yes	Yes	Yes
Duct size	3 1/4" x 10"	3 1/4" x 10"	3 1/4" x 10"
Capacity			
Cavity capacity (cu. ft.)	1.6 cu. ft.	2.1 cu. ft.	1.8 cu. ft.
Turntable diameter (in.)	13 5/8"	14 3/16"	14 3/16"
Technical Details			
Watts (W)	1,550 W	1,550 W	1,450 W
Circuit breaker (A)	15 A	15 A	15 A
Volts (V)	120 V	120 V	120 V
Frequency (Hz)	60 Hz	60 Hz	60 Hz
Power cord length (in)	39"	39"	39"
Plug type	120V–3 prong	120V–3 prong	120V–3 prong
Dimensions & Weight			
Overall appliance dimensions (HxWxD) (in)	16 1/2" x 29 7/8" x 15 3/8"	17 1/2" x 29 7/8" x 15 7/8"	17 1/2" x 29 7/8" x 15 7/8"
Required cutout size (HxWxD) (in)	16 1/2" Min x 30" x 12" Min – 12 7/8" Max	16 1/2" Min x 30" x 12" Min – 14" Max	16 1/2" Min x 30" x 12" Min – 14" Max
Net weight (lbs)	54 lbs	54 lbs	54 lbs
Accessories – Included			
Included	N/A	N/A	Two level cooking rack

300 / 500 / 800 Series Over-the-Range Microwaves

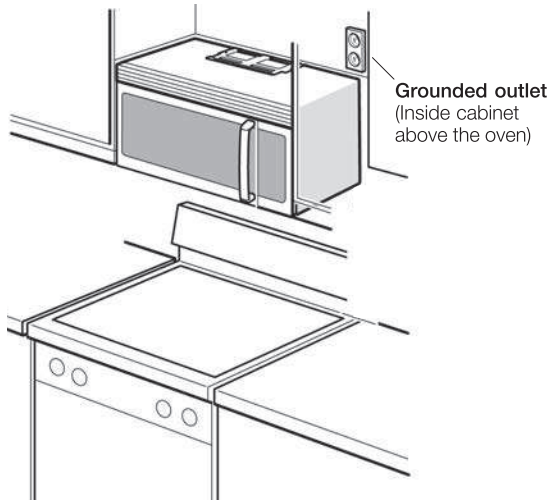
300 Series Product Dimensions



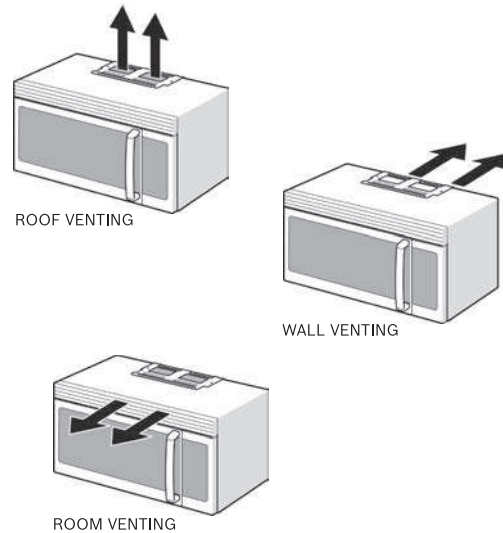
500 / 800 Series Product Dimensions



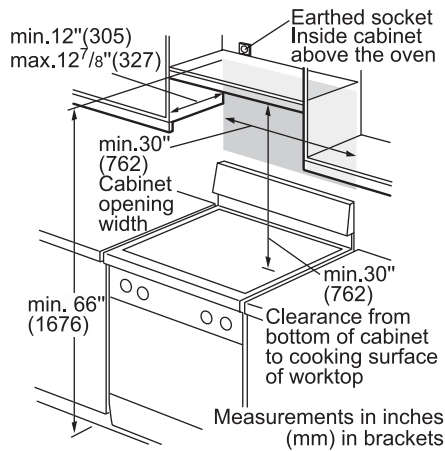
300 / 500 / 800 Series Electrical Connection



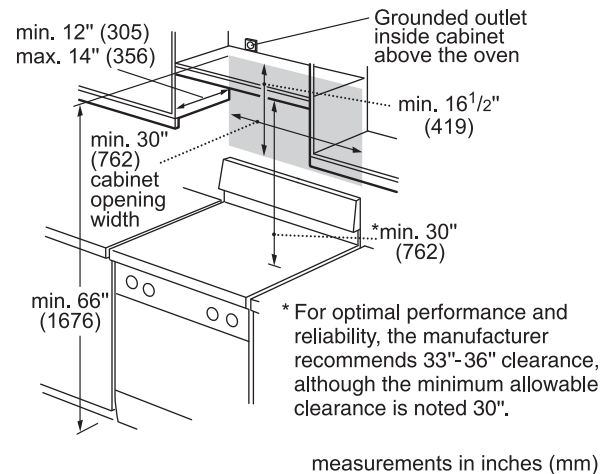
300 / 500 / 800 Series Venting Options



300 Series Clearance Above Cooktop



500 / 800 Series Clearance Above Cooktop



800 Series Drawer Microwave



800 Series Drawer Microwave HMD8451UC

- 1.2 cu. ft.
- 950 Watts
- 10 Power Levels
- Flush Installation

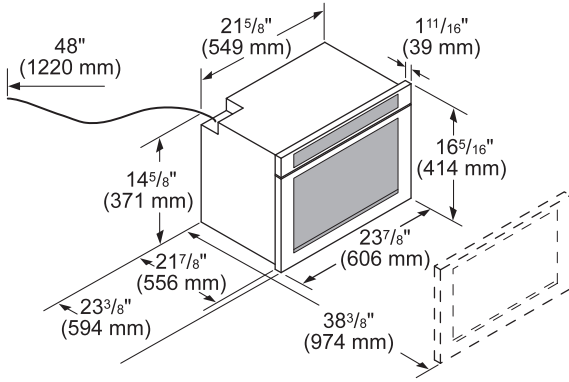
The Flush-Mount Drawer Microwave

Open your design options. The Bosch drawer microwave installs cleanly under counters, cooktops, and flush to cabinets, letting you take advantage of extra space in a kitchen island, for example. The drawer microwave opens and closes with a push of a button and is large enough to fit a 9" x 13" baking dish.

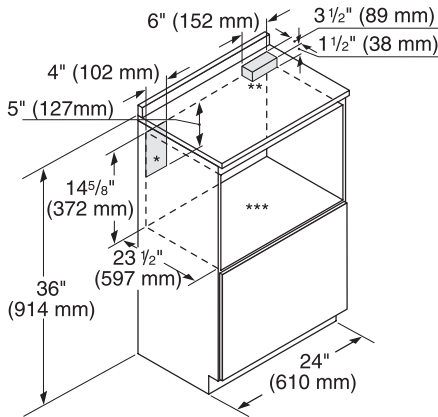
800 Series	
Stainless Steel – HMD8451UC	
General Properties	
Cavity color	White
Max. microwave power (W)	950 W
Capacity	
Cavity capacity (cu. ft.)	1.2 cu. ft.
Technical Details	
Watts (W)	1,500 W
Circuit breaker (A)	15 A
Volts (V)	120 V
Frequency (Hz)	60 Hz
Power cord length (in)	48"
Plug type	120V–3 prong
Dimensions & Weight	
Overall appliance dimensions (HxWxD) (in)	16 ⁵ / ₁₆ " X 23 ⁷ / ₈ " X 23 ³ / ₈ "
Required cutout size (HxWxD) (in)	14 ¹³ / ₁₆ " x 22 ¹ / ₈ " x 23 ¹ / ₂ "
Net weight (lbs)	81 lbs

800 Series Drawer Microwave

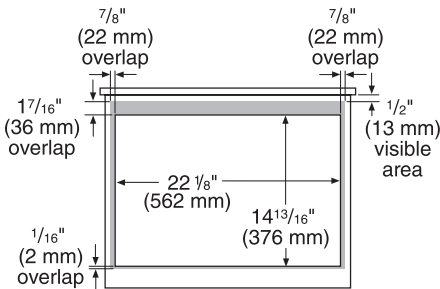
Drawer Microwave Dimensions



Drawer Microwave Standard Installation

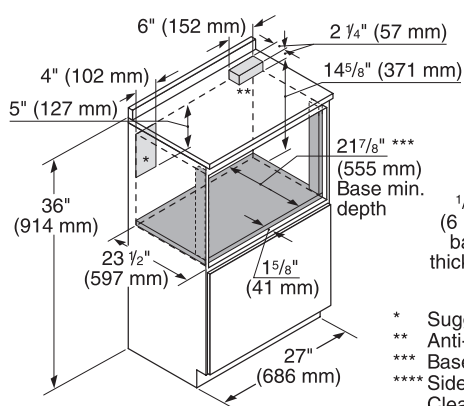


Frontview cut out

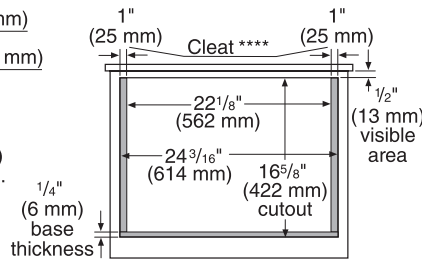


- * Suggested location of electrical outlet
- ** Anti-Tip Block
- *** Base should support up to 100 lbs

Drawer Microwave Flush Installation



Frontview cut out



- * Suggested location of electrical outlet
- ** Anti-Tip Block
- *** Base should support up to 100 lbs
- **** Sides should be finished and extend back to cleat. Cleats should also be finished, as they may be visible after installation. (Cleats are not included with unit.)

500 Series Built-in Microwave



**500 Series
Built-in Microwave
HMB5051 (Stainless Steel)
HMB5061 (Black)**

- 2.1 cu. ft.
- 1,200 Watts
- Automatic Sensor Programs
- 27" and 30" Trim Kits Available

500 Series	
	Stainless Steel – HMB5051
	Black – HMB5061

General Properties	
Cavity color	White
Max. microwave power (W)	1,200 W
Capacity	
Cavity capacity (cu. ft.)	2.1 cu. ft.
Turntable diameter (in.)	16 1/2"
Technical Details	
Watts (W)	1,460 W
Circuit breaker (A)	20 A
Volts (V)	120 V
Frequency (Hz)	60 Hz
Power cord length (in)	41 5/16"
Plug type	120V-3 prong
Dimensions & Weight	
Overall appliance dimensions (HxWxD) (in)	14" x 23 7/8" x 19 7/16"
Required cutout size (HxWxD) (in)	19 7/8" X 25 7/16" – 28 7/16" X 21"
Net weight (lbs)	34 lbs
Accessories – Included	
Included	Glass turntable

Optional Accessories



HMT5751
27" Stainless Steel
Trim Kit



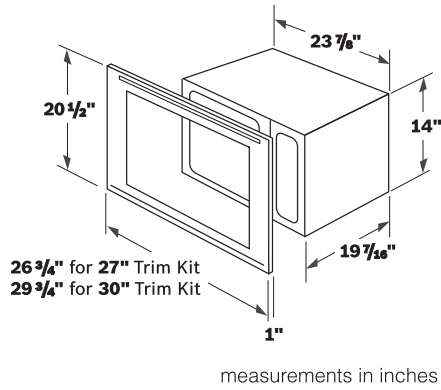
HMT5051
30" Stainless Steel
Trim Kit



HMT5061
30" Black Trim Kit

500 Series Built-in Microwave

Built-in Microwave Dimensions



Built-in Microwave Installation

