

## Ranges

### 30" Gas Slide-in Range 800 Series - Stainless Steel HGI8054UC



### The Full-depth Gas Slide-in Range Fits into Any Freestanding Range Cutout, and Features Five Burners to Cook More Dishes at Once.

- The New Bosch Slide-in Range Fits in Any Freestanding Range Cutout.
- Powerful 18,000 BTU Center Burner Speeds Cooking Time.
- At 4.8 cu. ft., a Large Oven Capacity Accommodates Most Pots and Pans.
- Heavy-duty Metal Knobs for a Premium Look and Feel.
- The Warming Drawer Keeps Everything You Cook Warm and Ready to Serve.

#### Technical Data

Total number of cooktop burners :	5
Cooking mode :	Circulated gas bottom heat, Convection Roast, Dough proving, Gas bottom heating, Half width variable grill, pizza setting, Selfcleaning pyrolytic, Small hot air grill, Warming, Warming drawer
Integrated Cleaning system :	Self Clean
Type of control :	Electronic
Knob Material :	Full metal
Included accessories :	3 x oven racks / upper, 1 x nozzle set for liquid gas, 3 x cast iron pan support
Sealed Burners :	Yes
Number of Double grates :	2
Number of gas burners :	5
Location of 1st heating element :	front left
Power of 1st burner (BTU) :	10000
Location of 2nd heating element :	back left
Power of 2nd burner (BTU) :	5000
Location of 3rd heating element :	middle back
Power of 3rd burner (BTU) :	18000
Location of 4th heating element :	back right
Power of 4th burner (BTU) :	5000
Location of 5th heating element :	front right
Power of 5th burner (BTU) :	15000
Display Color :	red, white
Safety device :	automatic reignition, Thermostat
UPC code :	825225907152
Product color :	Stainless steel
Gas type :	Natural gas 15 mbar (USA)
Alternative gas type :	Liquid gas 27,5 mbar (USA)
Natural Gas Connection Rating (BTU) :	71000
Current (A) :	15
Volts (V) :	120
Frequency (Hz) :	60
Approval certificates :	CSA
Required cutout size (HxWxD) (in) :	30" width slide-in
Overall appliance dimensions (HxWxD) (in) :	36 1/2" x 31 1/2" x 28 1/2"
Variable cooker height (in) :	1 1/2"
AHAM volume (of cavity) - cavity 1 :	2
Product packaging dimensions (HxWxD) (in) :	43 3/4" x 34" x 31 1/2"
Net weight (lbs) :	221
Gross weight (lbs) :	243

#### Included accessories

3 x oven racks /upper  
1 x nozzle set for liquid gas  
3 x cast iron pan support

#### Optional accessories

HEZ298102 : Wok ring  
HEZGR301 : Griddle Accessory for Bosch Gas/DF SIR  
HEZTR301 : Telescopic Oven Rack 30"  
HGZBS301 : Low Back Guard SIR Gas  
HGZIT301 : Island Trim Kit Gas Slide-in Range

## Ranges

### **30" Gas Slide-in Range 800 Series - Stainless Steel HGI8054UC**

**The Full-depth Gas Slide-in Range Fits into Any Freestanding Range Cutout, and Features Five Burners to Cook More Dishes at Once.**

---

#### **Design**

- Touch Control for Easier Operation of the Oven
- Heavy-duty Metal Knobs for a Premium Look and Feel
- Low-profile Design for an Integrated Appearance
- Stainless Steel Maintop

#### **Performance**

- 9 Specialized Cooking Modes - Gourmet Cooking Made Easy
- Standard Convection
- Temperature Conversion for Convection Cooking

#### **Convenience**

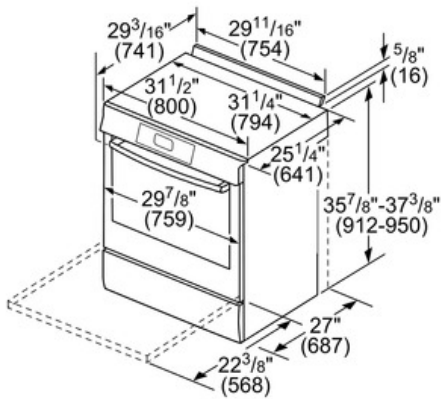
- 5 Burners Add Flexibility to your Cooking
- One Oven Light to Better Monitor Cooking Progress
- Kitchen Timer
- Extra Large Door Window for Easy Monitoring of Cooking Process
- Star-K certified. 100°-450° F

#### **Capacity**

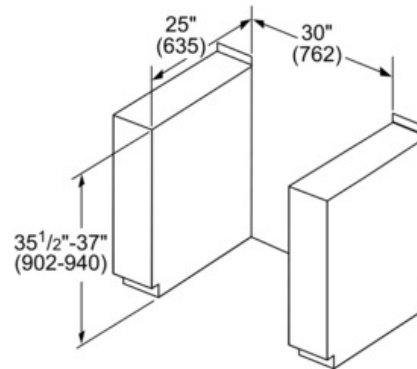
- Large Capacity at 4.8 Cu Ft.

## Ranges

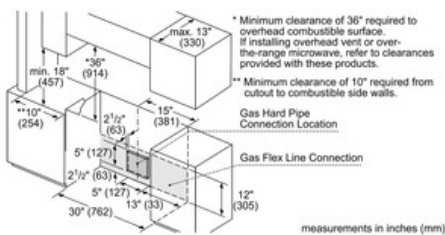
### 30" Gas Slide-in Range 800 Series - Stainless Steel HGI8054UC



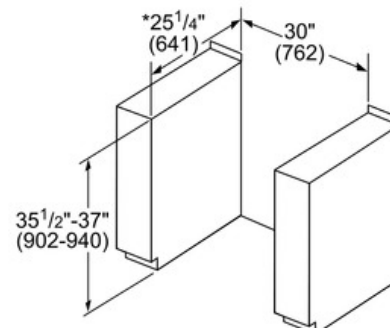
measurements in inches and (mm)



measurements in mm



measurements in inches (mm)



\* For island installation with island trim (HGZIT301), use a cutout depth of  $25\frac{3}{8}$ " (645)

measurements in inches and (mm)