

30" Double Wall Oven 300 Series - Stainless Steel HBL3550UC



Features and Benefits

Key Features

- Large Capacity at 4.7 Cu.Ft.
- EcoClean™ 2-Hour Self-Clean Cycle
- Recessed Broil Element for Increased Capacity and Safety

Design

- Contemporary Stainless Steel Design
- ClearTouch® Glass Control
- Flush-to-Cabinet Design
- Dial Controls - Direct Access to Cooking Modes

Performance

- 10 Cooking Modes for Convenient Every Day Cooking
- Convection Cooking with Bake, Broil and Roast in Upper Oven
- Thermal Cooking with Bake, Broil and Roast in Lower Oven

Efficiency

- EcoClean™ 2-Hour Self-Clean Cycle

Convenience

- Amber Colored Display
- Timer with Cook Time Function
- Extra Large Door Window for Easy Monitoring of Cooking
- High Quality Self-cleaning Rack Supports
- Preheat Monitor Shows Progress of Preheat Cycle

Capacity

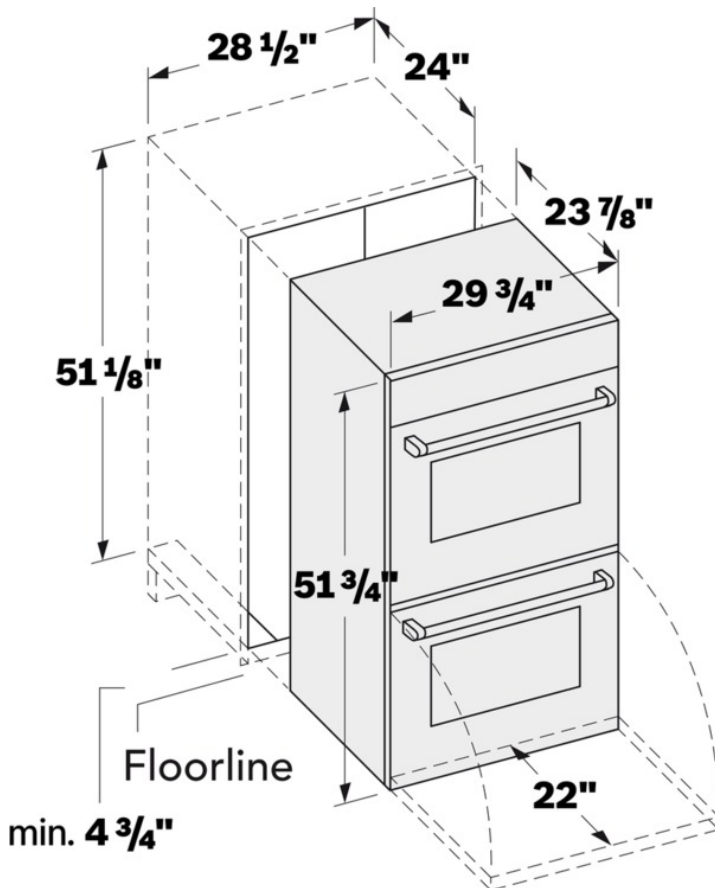
- Large Capacity at 4.7 Cu.Ft.
- Double Oven for More Capacity and Cooking Flexibility
- Recessed Broil Element for Increased Capacity and Safety

Notes: All height, width and depth dimensions are shown in inches. *Please refer to installation instructions prior to making cutout. BSH reserves the absolute and unrestricted right to change product materials and specifications, at any time, without notice. Consult the product's installation instructions for final dimensional data and other details. Applicable product warranty can be found in a accompanying product literature or you may contact your account manager for further details.

For more information on our entire line of products, go to boschappliances.com or call 1-800-944-2904.
Copyright ©2013 BSH Home Appliances Corporation. All rights reserved. Bosch is a registered trademark of Robert Bosch GmbH.

Litho Date: 04/2013

30" Double Wall Oven
300 Series - Stainless Steel
HBL3550UC



Features

Cooking method first cavity	Bake, Broil, Convection Bake, Convection Broil, Convection Roast, Intensive Convection, Pizza, Proof, Top heating, 1/3 bottom heat., Warm
Cooking method second cavity	Bake, Broil, Top heating, 1/3 bottom heat., Warm
Cleaning system - cavity 1	, Self Clean
Number of interior lights	1
Electronic timer	
Included accessories	3 x Oven racks /upper, 2 x Oven racks /lower
Bake Element Wattages cavity 1 (W)	2000
Broil Element Wattages cavity 1 (W)	3600
Convection Element Wattages cavity 1 (W)	2000
Microwave Wattages (W)	

Technical Specification

UPC code	825225840213
Product color	Stainless steel
Alternative colors available	HBL3560UC
Energy source	Electric
Watts (W)	9200
Current (A)	40
Volts (V)	240/208
Frequency (Hz)	60
Approval certificates	CSA
Power cord length (in)	50
Plug type	Fixed connection, No plug
Required cutout size (HxWxD) (in)	51 1/8" x 28 1/2" x 24"
Overall appliance dimensions (HxWxD) (in)	51 3/4" x 29 3/4" x 23 7/8"
Product packaging dimensions (HxWxD) (in)	56 3/4" x 34" x 31"
Net weight (lbs)	294
Gross weight (lbs)	328

Notes: All height, width and depth dimensions are shown in inches. *Please refer to installation instructions prior to making cutout. BSH reserves the absolute and unrestricted right to change product materials and specifications, at any time, without notice. Consult the product's installation instructions for final dimensional data and other details. Applicable product warranty can be found in a accompanying product literature or you may contact your account manager for further details.

For more information on our entire line of products, go to boschappliances.com or call 1-800-944-2904.
Copyright ©2013 BSH Home Appliances Corporation. All rights reserved. Bosch is a registered trademark of Robert Bosch GmbH.

Litho Date: 04/2013