

## Microwaves

### HMC54151UC 24" Speed Oven 500 Series - Stainless Steel



**The 24" speed oven pairs the cooking qualities of a conventional oven with the speed of a microwave, designed for smaller spaces.**

- SpeedChef™ Cooking Cycles Offer Faster Cooking Times for your Convenience
- Installs flush with kitchen
- cabinetry
- 2-in-1 Microwave and Convection Oven for a Variety of Cooking Options
- Electrical Connection - 120 Volt NEMA 5-20 Three Prong Plug

#### Technical Data

Max. Microwave power (W) :	1000
Number of Power Levels :	10
Turntable :	Yes
Turntable diameter (in) :	14 3/16"
Turntable diameter (mm) :	360
Heating type :	Combi microwave constant, Half width variable grill, Hot Air, Microwave, warming
Cavity material :	Stainless steel
Door opening :	Handle
Clock / Timer :	Yes
Included accessories :	1 x grid
UPC code :	825225924036
Product color :	Stainless steel
Watts (W) :	1750
Current (A) :	20
Volts (V) :	120
Frequency (Hz) :	60
Approval certificates :	CUL, UL
Power cord length (in) :	43"
Power cord length (cm) :	109
Required cutout size (HxWxD) (in) :	17 3/4" x 22 5/16" x 22"
Required cutout size (HxWxD) (mm) :	450 x 567 x 560
Overall appliance dimensions (HxWxD) (in) :	17 7/8" x 23 7/16" x 22 3/16"
Overall appliance dimensions (HxWxD) (mm) :	454 x 595 x 563
Product packaging dimensions (HxWxD) (in) :	22.63 x 30.70 x 26.57
Net weight (lbs) :	82
Net weight (kg) :	37.0
Gross weight (lbs) :	91
Gross weight (kg) :	41.0

#### Included accessories

1 x grid

## Microwaves

### **HMC54151UC 24" Speed Oven 500 Series - Stainless Steel**

**The 24" speed oven pairs the cooking qualities of a conventional oven with the speed of a microwave, designed for smaller spaces.**

---

#### **Performance**

- Nine SpeedChef™ Cycles Offer Faster Cooking Times For Your Convenience
- 1750 Watt Broil Element
- 1000 Watts Microwave Power
- 1700 Watt Convection Element
- Convection Cooking

#### **Design**

- Installs flush with kitchen cabinetry
- White Colored LCD

#### **Convenience**

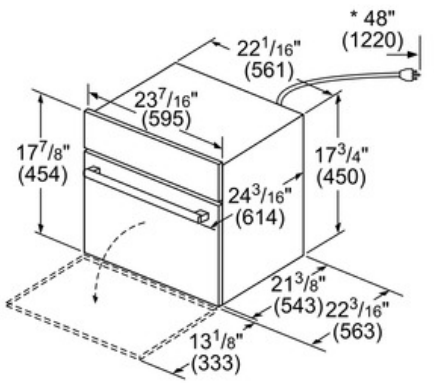
- 10 Levels of Microwavable Power
- Kitchen Timer and Childlock Setting

#### **Quality**

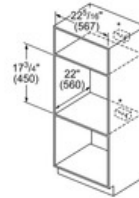
- Metal and Ceramic Turntable
- Stainless Steel Cooking Interior

## Microwaves

### HMC54151UC 24" Speed Oven 500 Series - Stainless Steel



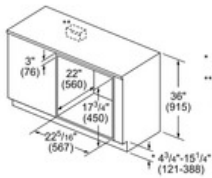
measurements in inches (mm)



\* Receptacle may be located above or beneath the unit within reach of the power cord.

Notice:  
The cabinet base must be flat and capable of supporting a weight of at least 142 lbs (64.1 kg).

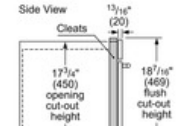
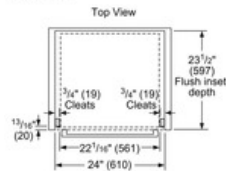
measurements in inches (mm)



\* Includes  $\frac{3}{16}"$  (19) base plate  
 \*\* Receptacle may be located to the left or right of the unit within reach of the power cord.

measurements in inches (mm)

Flush Install



\* Baseplate  $\frac{5}{16}"$  (8)

measurements in inches (mm)