

# Cooktops

Precise performance meets streamlined design.



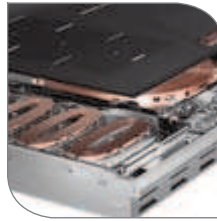


Whether you choose gas, electric or induction, sleek European design and precise cooking performance is built into every Bosch cooktop. Cooktop burners offer optimal cooking flexibility with high heat and low simmer options. With easy-to-clean surfaces and grates as well as solid stainless steel frames and die-cast metal knobs, our quality German engineering really shows.

# Benchmark™ Cooktops

Three brilliant ways to cook.  
One exceptional way to engineer them.





#### Versatile Induction Cooking

FlexInduction® technology on the Benchmark™ induction cooktop allows you to combine two cooking zones to fit griddles and large pans perfectly, or use the cooking zones individually for even cooking, no matter the size of your pan.



#### Dual-Stacked Burner

The Benchmark™ gas cooktops feature a dual-stacked burner that delivers both low simmer and 20,000 BTUs for fast boiling and greater cooking flexibility.



#### Spacious Heating Element

The Benchmark™ 36" electric cooktop features a three-zone 11" heating element with 3080W of power for fast heating.



#### PowerStart®

This feature temporarily increases and holds the temperature at the most powerful setting. Then it gradually declines to your preset level. This reduces cooking time and offers the convenience of one-button operation.

# Benchmark™ Induction Cooktops



**30" Benchmark™**  
**NITP066UC (Frameless)**  
**NITP066SUC (Frame)**

- FlexInduction® Element
- 17 Heat Levels
- Countdown Element Shut Off Timer
- PreciseSelect® Control



**36" Benchmark™**  
**NITP666UC (Frameless)**  
**NITP666SUC (Frame)**

- Two FlexInduction® Elements
- 17 Heat Levels
- Countdown Element Shut Off Timer
- PreciseSelect® Control



	30"	36"
	Black – NITP066UC Black with Stainless Steel Frame – NITP066SUC	Black – NITP666UC Black with Stainless Steel Frame – NITP666SUC
<b>Element Performance</b>		
Power of Full Zone Left & Right heating element (in boost)	N/A	3,300 W (3,600 W)
Power of Full Zone Left heating element (in boost)	3,300 W (3,600 W)	N/A
Power of Front Left heating element (in boost)	2,000 W (2,500 W)	2,000 W (2,500 W)
Power of Back Left heating element (in boost)	2,000 W (2,500 W)	2,000 W (2,500 W)
Power of Center heating element (in boost)	N/A	3,300 / 2,200 W (4,500 / 3,400 W)
Power of Back Right heating element (in boost)	2,400 W (3,600 W)	2,000 W (2,500 W)
Power of Front Right heating element (in boost)	1,400 W (1,800 W)	2,000 W (2,500 W)
Burners with booster	All	All
<b>Element Size</b>		
Dimension of Front Left heating element	8", 9"	8", 7"
Dimension of Back Left heating element	8", 9"	8", 7"
Dimension of Center heating element	N/A	12", 9"
Dimension of Back Right heating element	11"	8", 7"
Dimension of Front Right heating element	6"	8", 7"
<b>Technical Details</b>		
Watts	7,200 W	10,800 W
Circuit breaker	30 A	50 A
Volts	208 – 240 V	208 – 240 V
Frequency	60 Hz	60 Hz
Plug type	No plug	No plug
Power cord length	37"	37"
Energy source	Electric	Electric
<b>Dimensions &amp; Weight</b>		
Overall appliance dimensions (HxWxD)	NITP066UC: 1/4" +4 1/8" x 31" x 21 1/4" NITP066SUC: 5/16" +4 1/8" x 31" x 21 1/4"	5/16" +4 1/8" x 37" x 21 1/4"
Required cutout size (HxWxD)	4 1/8" x 28 7/8" x 19 7/8"	4 1/8" x 34 7/8" x 19 7/8"
Minimum distance from counter front	2 1/4"	2 1/4"
Minimum distance from rear wall	2"	2"
Net weight	41 lbs	50 lbs

## Optional Accessories



HEZ390522  
Grill



HEZ390512  
Teppanyaki



HEZ390210  
8" AutoChef® pan  
for 6" element



HEZ390220  
9" AutoChef® pan\*  
for 7" element



HEZ390230  
10" AutoChef® pan  
for 8" and 9" elements

\*For use with 36" models



# 500 / 800 Series 30" Induction Cooktops



**30" 500 Series  
NIT5066UC**

- 17 Heat Levels
- CountDown Element Shut Off Timer
- 11", 3,600 W, 9", 3,700 W



**30" 800 Series  
NIT8066UC (Frameless)  
NIT8066SUC (Frame)**

- + AutoChef® Plus Free Pan\*
- + PreciseSelect® Control
- + Framed and Frameless Options



+ Indicates a step-up feature

	500 Series	800 Series
	Black – NIT5066UC	Black – NIT8066UC Black with Stainless Steel Frame – NIT8066SUC
<b>Element Performance</b>		
Power of Front Left heating element	2,200 W	2,200 W
Power of Front Left heating element (in boost)	3,700 W	3,700 W
Power of Back Left heating element	1,400 W	1,400 W
Power of Back Left heating element (in boost)	1,800 W	1,800 W
Power of Back Right heating element	2,400 W	2,400 W
Power of Back Right heating element (in boost)	3,600 W	3,600 W
Power of Front Right heating element	1,400 W	1,400 W
Power of Front Right heating element (in boost)	1,800 W	1,800 W
Burners with booster	All	All
<b>Element Size</b>		
Dimension of Front Left heating element	9"	9"
Dimension of Back Left heating element	6"	6"
Dimension of Back Right heating element	11"	11"
Dimension of Front Right heating element	6"	6"
<b>Technical Details</b>		
Watts	7,200 W	7,200 W
Circuit breaker	30 A	30 A
Volts	208 – 240 V	208 – 240 V
Frequency	60 Hz	60 Hz
Plug type	No plug	No plug
Power cord length	37"	37"
Energy source	Electric	Electric
<b>Dimensions &amp; Weight</b>		
Overall appliance dimensions (HxWxD)	1/4" +4 1/8" x 31" x 21 1/4"	NIT8066UC: 1/4" +4 1/8" x 31" x 21 1/4" NIT8066SUC: 5/16" +4 1/8" x 31" x 21 1/4"
Required cutout size (HxWxD)	4 1/8" x 28 3/4" x 19 7/8"	4 1/8" x 28 3/4" x 19 7/8"
Minimum distance from counter front	2 1/4"	2 1/4"
Minimum distance from rear wall	2"	2"
Net weight	41 lbs	41 lbs

**Optional Accessories**



HEZ390210  
8" AutoChef® pan  
for 6" element

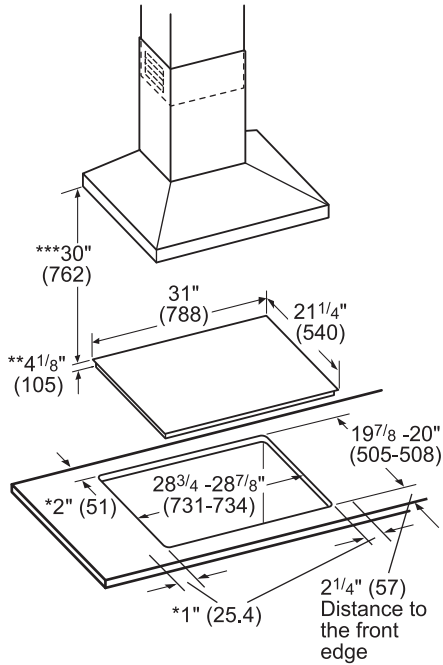


HEZ390230  
10" AutoChef® pan  
for 8" and 9" elements

\*with return of mail-in redemption card

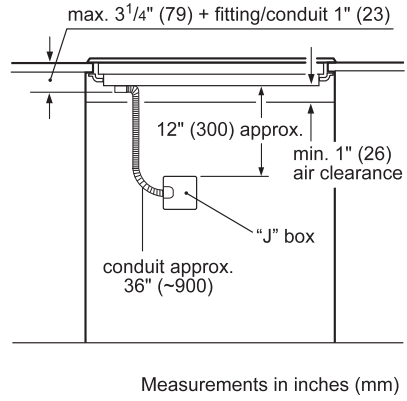
# 500 / 800 Series 30" Induction Cooktops

## Cooktop and Cutout Dimensions



- \* Minimum distance from the cooktop cutout to the wall
  - \*\* Installed depth includes 1" (26 mm) air clearance
  - \*\*\* Minimum distance between surface of the cooktop and lower edge of the exhaust hood.
- Dimensions in inches (mm)

## Electrical Location



**IMPORTANT:** Bosch 30" Induction Cooktops are not approved to be installed above wall ovens.



# 500 / 800 Series 36" Induction Cooktops



**36" 500 Series  
NIT5666UC**

- PreciseSelect® Control
- 17 Heat Levels
- Countdown Element Shut Off Timer
- 11", 3,600 W, 9", 3,700 W



**36" 800 Series  
NIT8666UC (Frameless)  
NIT8666SUC (Frame)**

- + AutoChef® Plus Free Pan\*
- + 12", Dual-Ring 4,500 W
- + Framed and Frameless Options



+ Indicates a step-up feature

	500 Series	800 Series
	Black – NIT5666UC	Black – NIT8666UC Black with Stainless Steel Frame – NIT8666SUC
<b>Element Performance</b>		
Power of Front Left heating element (in boost)	1,800 W (2,500 W)	1,800 W (2,500 W)
Power of Back Left heating element (in boost)	1,800 W (2,500 W)	1,800 W (2,500 W)
Power of Center heating element (in boost)	2,800 W (3,600 W)	3,300 / 2,200 W (4,500 / 3,400 W)
Power of Back Right heating element (in boost)	1,400 W (1,800 W)	1,400 W (1,800 W)
Power of Front Right heating element (in boost)	2,200 W (3,700 W)	2,200 W (3,700 W)
Burners with booster	All	All
<b>Element Size</b>		
Dimension of Front Left heating element	7"	7"
Dimension of Back Left heating element	7"	7"
Dimension of Center heating element	11"	12", 9"
Dimension of Back Right heating element	6"	6"
Dimension of Front Right heating element	9"	9"
<b>Technical Details</b>		
Watts	9,600 W	9,600 W
Circuit breaker	40 A	40 A
Volts	208 – 240 V	208 – 240 V
Frequency	60 Hz	60 Hz
Plug type	No plug	No plug
Power cord length	37"	37"
Energy source	Electric	Electric
<b>Dimensions &amp; Weight</b>		
Overall appliance dimensions (HxWxD)	5/16" +4 1/8" x 37" x 21 1/4"	5/16" x 4 1/8" x 37" x 21 1/4"
Required cutout size (HxWxD)	4 1/8" x 34 3/4" x 19 7/8"	NIT8666UC: 4 1/8" x 34 7/8" x 20" NIT8666SUC: 4 1/8" x 34 3/4" x 19 7/8"
Minimum distance from counter front	2 1/4"	2 1/4"
Minimum distance from rear wall	2"	2"
Net weight	50 lbs	50 lbs

**Optional Accessories**



HEZ390210  
8" AutoChef® pan  
for 6" element



HEZ390220  
9" AutoChef® pan  
for 7" element

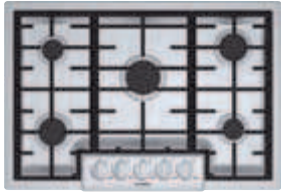


HEZ390230  
10" AutoChef® pan  
for 8" and 9" elements

\*with return of mail-in redemption card



# Benchmark™ Gas Cooktops



**30" Benchmark™  
NGMP055UC**

- 20K Max. BTU Performance
- 5 Burners
- Dual-Stacked Hi / Lo Burner
- LED Indicator Lights all Knobs



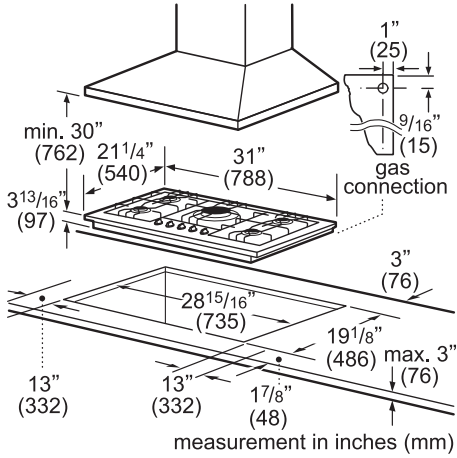
**36" Benchmark™  
NGMP655UC**

- 20K Max. BTU Performance
- 5 Burners
- Dual-Stacked Hi / Lo Burner
- LED Indicator Lights all Knobs

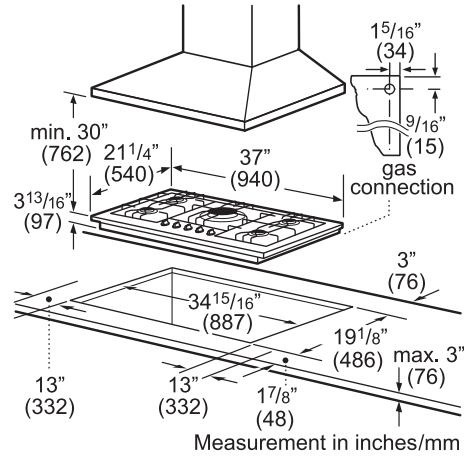
	30"	36"
	Stainless Steel – NGMP055UC	Stainless Steel – NGMP655UC
<b>General Properties</b>		
Knob material	Metal	Metal
Sealed burners	Yes	Yes
Grate material	Cast iron	Cast iron
<b>Element Performance</b>		
Total BTU load (NG / LP)	51,000 / 43,200	59,500 / 47,300
Power of front left burner (NG / LP)	10,000 / 9,100	12,000 / 9,100
Power of back left burner (NG / LP)	5,500 / 5,000	12,000 / 9,100
Power of center burner (NG / LP)	20,000 / 15,000	20,000 / 15,000
Power of back right burner (NG / LP)	10,000 / 9,100	5,500 / 5,000
Power of front right burner (NG / LP)	5,500 / 5,000	12,000 / 9,100
<b>Technical Details</b>		
Watts	360 W	360 W
Circuit breaker	15 A	15 A
Volts	120 V	120 V
Frequency	60 Hz	60 Hz
Plug type	3 prong	3 prong
Power cord length	60"	60"
Energy source	Gas	Gas
Convertible to LP (kit required)	Yes	Yes
<b>Dimensions &amp; Weight</b>		
Overall appliance dimensions (HxWxD)	3 13/16" x 31" x 21 1/4"	3 13/16" x 37" x 21 1/4"
Required cutout size (HxWxD)	3 13/16" x 28 15/16" x 19 1/8"	3 13/16" x 34 15/16" x 19 1/8"
Minimum distance from counter front	1 7/8"	1 7/8"
Minimum distance from rear wall	3"	3"
Net weight	38 lbs	39 lbs
<b>Accessories – Included</b>		
Included	LP conversion kit	LP conversion kit

# Benchmark™ Gas Cooktops

## 30" Cooktop and Cutout Dimensions

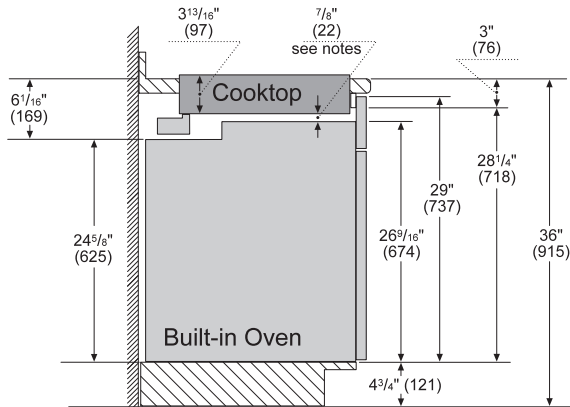


## 36" Cooktop and Cutout Dimensions



## Cooktop Installation Above Wall Oven

### 30" Built-in oven - under gas cooktop



#### Notes:

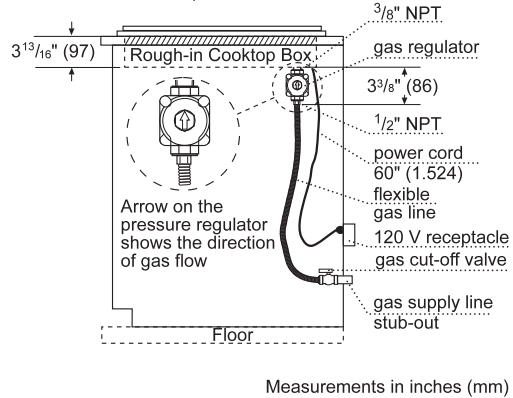
Dimensions based on standard countertop height (36" with 4 3/4" toe kick including base plate).

The built-in oven can be installed below the gas cooktop as long as there is no contact between the bottom of the cooktop and the top of the oven.

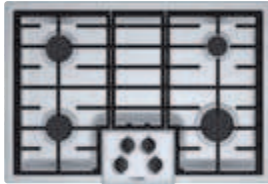
Measurements in inches (mm)

## Gas Location

### Side View Gas Cooktop Installation

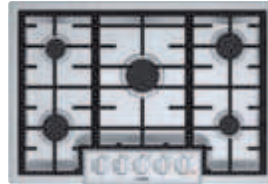


# 500 / 800 Series 30" Gas Cooktops



**30" 500 Series  
NGM5055UC**

- 16K Max. BTU Performance
- Black Metal knobs



**30" 800 Series  
NGM8055UC (Stainless Steel)  
NGM8065UC (Black)**

- + 18K Max. BTU Performance
- + 5 Burners
- + Single Indicator Light
- + Stainless Steel Knobs (Black Metal Knobs on Black Model)

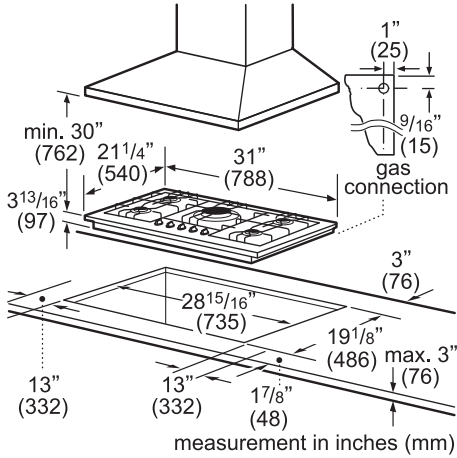


+ Indicates a step-up feature

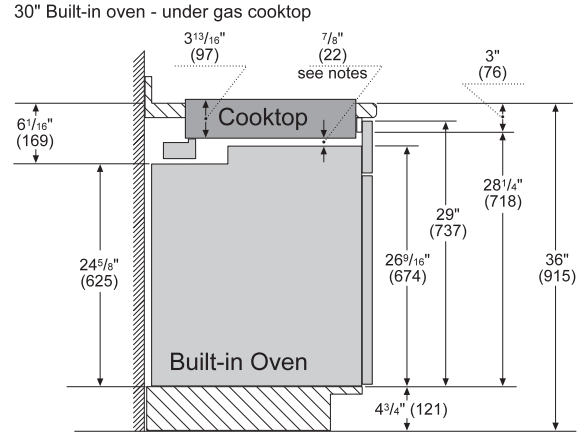
	500 Series	800 Series
	Stainless Steel – NGM5055UC	Stainless Steel – NGM8055UC Black – NGM8065UC
<b>General Properties</b>		
Knob material	Metal	Metal
Sealed burners	Yes	Yes
Grate material	Cast iron	Cast iron
<b>Element Performance</b>		
Total BTU load (NG / LP)	41,500 / 38,200	49,000 / 43,200
Power of front left burner (NG / LP)	10,000 / 9,100	10,000 / 9,100
Power of back left burner (NG / LP)	10,000 / 9,100	5,500 / 5,000
Power of center burner (NG / LP)	N/A	18,000 / 15,000
Power of back right burner (NG / LP)	5,500 / 5,000	10,000 / 9,100
Power of front right burner (NG / LP)	16,000 / 15,000	5,500 / 5,000
<b>Technical Details</b>		
Watts	360 W	360 W
Circuit breaker	15 A	15 A
Volts	120 V	120 V
Frequency	60 Hz	60 Hz
Plug type	3 prong	3 prong
Power cord length	60"	60"
Energy source	Gas	Gas
Convertible to LP (kit required)	Yes	Yes
<b>Dimensions &amp; Weight</b>		
Overall appliance dimensions (HxWxD)	3 13/16" x 31" x 21 1/4"	3 13/16" x 31" x 21 1/4"
Required cutout size (HxWxD)	3 13/16" x 28 15/16" x 19 1/8"	3 13/16" x 28 15/16" x 19 1/8"
Minimum distance from counter front	1 7/8"	1 7/8"
Minimum distance from rear wall	3"	3"
Net weight	37 lbs	37 lbs
<b>Accessories – Included</b>		
Included	LP conversion kit	LP conversion kit

# 500 / 800 Series 30" Gas Cooktops

## Cooktop and Cutout Dimensions



## Cooktop Installation Above Wall Oven



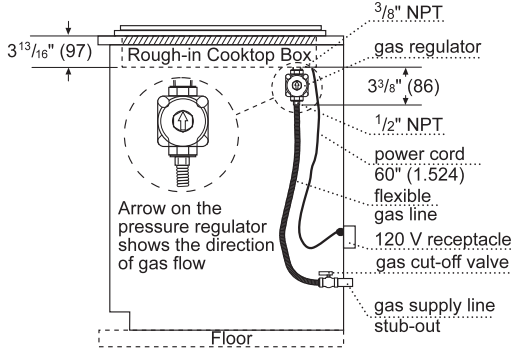
Notes:  
Dimensions based on standard countertop height (36" with 4 3/4" toe kick including base plate).

The built-in oven can be installed below the gas cooktop as long as there is no contact between the bottom of the cooktop and the top of the oven.

Measurements in inches (mm)

## Gas Location

### Side View Gas Cooktop Installation



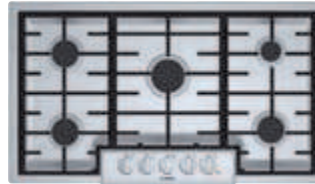
Measurements in inches (mm)

# 500 / 800 Series 36" Gas Cooktops



### 36" 500 Series NGM5655UC

- 16K Max. BTU Performance
- Black Metal Knobs



### 36" 800 Series NGM8655UC (Stainless Steel) NGM8665UC (Black)

- + 18K Max. BTU Performance
- + 5 Burners
- + Single Indicator Light
- + Stainless Steel Knobs (Black Metal Knobs on Black Model)



+ Indicates a step-up feature

	500 Series	800 Series
	Stainless Steel – NGM5655UC	Stainless Steel – NGM8655UC Black – NGM8665UC
<b>General Properties</b>		
Knob material	Metal	Metal
Sealed burners	Yes	Yes
Grate material	Cast iron	Cast iron
<b>Element Performance</b>		
Total BTU load (NG / LP)	57,500 / 47,300	59,500 / 47,300
Power of front left burner (NG / LP)	12,000 / 9,100	12,000 / 9,100
Power of back left burner (NG / LP)	12,000 / 9,100	12,000 / 9,100
Power of center burner (NG / LP)	16,000 / 15,000	18,000 / 15,000
Power of back right burner (NG / LP)	5,500 / 5,000	5,500 / 5,000
Power of front right burner (NG / LP)	12,000 / 9,100	12,000 / 9,100
<b>Technical Details</b>		
Watts	360 W	360 W
Circuit breaker	15 A	15 A
Volts	120 V	120 V
Frequency	60 Hz	60 Hz
Plug type	3 prong	3 prong
Power cord length	60"	60"
Energy source	Gas	Gas
Convertible to LP (kit required)	Yes	Yes
<b>Dimensions &amp; Weight</b>		
Overall appliance dimensions (HxWxD)	3 13/16" x 37" x 21 1/4"	3 13/16" x 37" x 21 1/4"
Required cutout size (HxWxD)	3 13/16" x 34 15/16" x 19 1/8"	3 13/16" x 34 15/16" x 19 1/8"
Minimum distance from counter front	1 7/8"	1 7/8"
Minimum distance from rear wall	3"	3"
Net weight	39 lbs	39 lbs
<b>Accessories – Included</b>		
Included	LP conversion kit	LP conversion kit





# Benchmark™ Electric Cooktops



## 30" Benchmark™ NETP066SUC

- Five Burners
- 9", 3,100 W Dual-Ring Element
- 7", 2,000 W Dual-Ring Element
- AutoChef® Plus Free Pan\*
- PowerStart®



## 36" Benchmark™ NETP666SUC

- Five Burners
- 11", 3,080 W Triple-Ring Element
- 8", 1,900 W Dual-Ring Element
- AutoChef® Plus Free Pan\*
- PowerStart®

	30"	36"
	Black with Stainless Steel Frame – NETP066SUC	Black with Stainless Steel Frame – NETP666SUC
<b>Element Performance</b>		
Power of Front Left heating element	2,000 / 800 W	1,800 W
Power of Back Left heating element	1,200 W	1,800 W
Power of Center heating element	3,100 / 1,300 W	3,080 / 2,200 / 1,050 W
Power of Back Right heating element	1,200 W	1,200 W
Power of Front Right heating element	1,500 W	1,900 / 800 W
<b>Element Size</b>		
Dimension of Front Left heating element	7", 5"	7"
Dimension of Back Left heating element	6"	7"
Dimension of Center heating element	9", 6"	11", 8", 6"
Dimension of Back Right heating element	6"	6"
Dimension of Front Right heating element	7"	8", 5"
<b>Technical Details</b>		
Watts	9,000 W	9,700 W
Circuit breaker	40 A	40 A
Volts	208 – 240 V	208 – 240 V
Frequency	60 Hz	60 Hz
Plug type	No plug	No plug
Energy source	Electric	Electric
<b>Dimensions &amp; Weight</b>		
Overall appliance dimensions (HxWxD)	1/4" +4" x 31" x 21 1/4"	1/4" +4" x 37" x 21 1/4"
Required cutout size (HxWxD)	4" x 28 7/8" x 20"	4" x 34 7/8" x 20"
Minimum distance from counter front	2 1/4"	2 1/4"
Minimum distance from rear wall	2"	2"
Net weight	27 lbs	33 lbs

### Optional Accessories



HEZ390210  
8" AutoChef® pan  
for 6" element



HEZ390220  
9" AutoChef® pan  
for 7" element

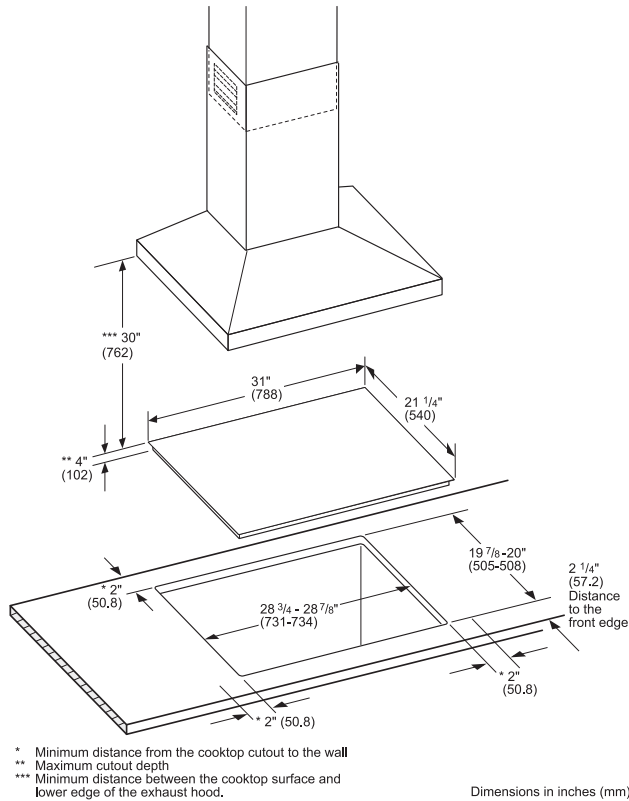


HEZ390230  
10" AutoChef® pan  
for 8" and 9" elements

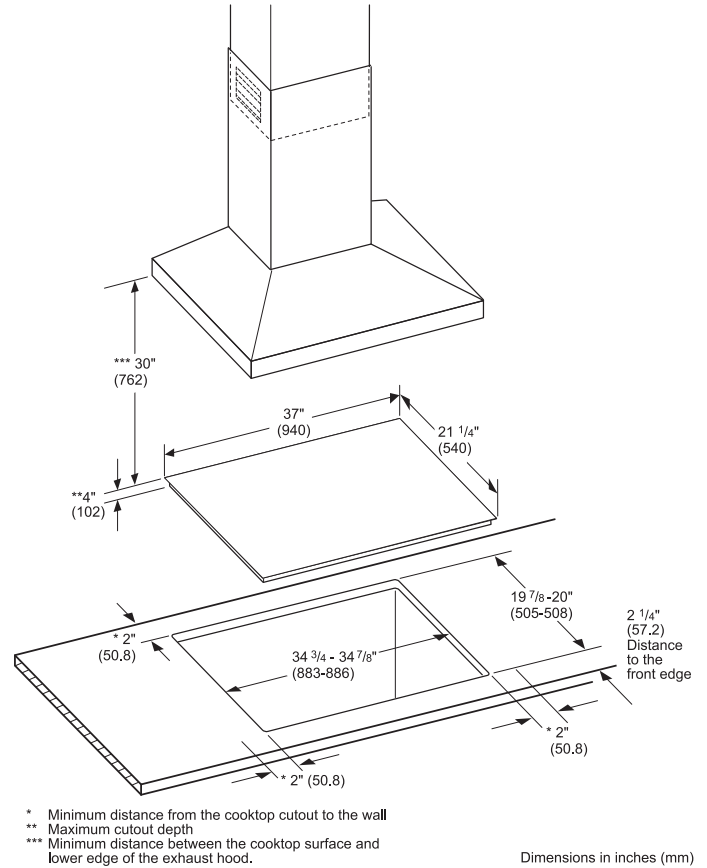
\*with return of mail-in redemption card

# Benchmark™ Electric Cooktops

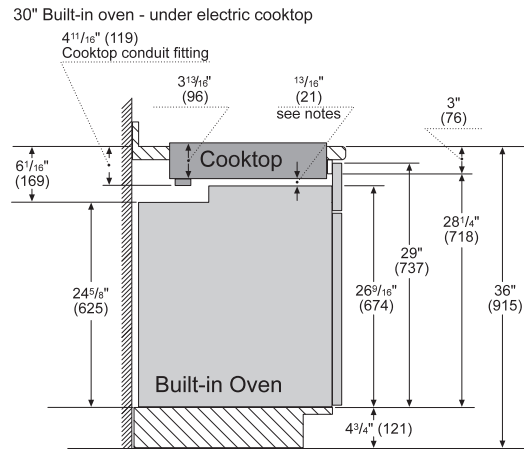
## 30" Cooktop and Cutout Dimensions



## 36" Cooktop and Cutout Dimensions



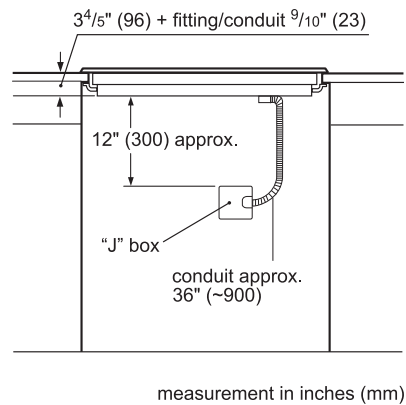
## Cooktop Installation Above Wall Oven



Notes:  
Dimensions based on standard countertop height (36" with 4 3/4" toe kick including base plate).  
The built-in oven can be installed below the electric cooktop as long as there is no contact between the bottom of the cooktop and the top of the oven.

Measurements in inches (mm)

## Electrical Location



# 500 / 800 Series 30" Electric Cooktops



### 30" 500 Series NEM5066UC

- 7" Dual-Ring Element
- 9", 2,500 W Element
- Heat Indicator
- Stainless Steel Color Knobs



### 30" 800 Series NET8066UC (Frameless) NET8066SUC (Frame)

- + PreciseSelect®
- + 9", 3,100 W Dual-Ring Element
- + Countdown Element Shut Off Timer
- + Framed and Frameless Options



+ Indicates a step-up feature

	500 Series	800 Series
	Black Frameless – NEM5066UC	Black Frameless – NET8066UC Black with Stainless Steel Frame – NET8066SUC
<b>General Properties</b>		
Knob material	Stainless Steel Color – Plastic	N/A
<b>Element Performance</b>		
Power of Front Left heating element	1,700 / 700 W	1,800 W
Power of Back Left heating element	1,800 W	1,800 W
Power of Back Right heating element	1,200 W	3,100 / 1,300 W
Power of Front Right heating element	2,500 W	1,200 W
<b>Element Size</b>		
Dimension of Front Left heating element	7", 5"	7"
Dimension of Back Left heating element	7"	7"
Dimension of Back Right heating element	6"	9", 6"
Dimension of Front Right heating element	9"	6"
<b>Technical Details</b>		
Watts	7,200 W	8,300 W
Circuit breaker	30 A	40 A
Volts	208 – 240 V	208 – 240 V
Frequency	60 Hz	60 Hz
Plug type	No plug	No plug
Energy source	Electric	Electric
<b>Dimensions &amp; Weight</b>		
Overall appliance dimensions (HxWxD)	1/4" +4" x 31" x 21 1/4"	1/4" +4" x 31" x 21 1/4"
Required cutout size (HxWxD)	4" x 28 7/8" x 20"	4" x 28 7/8" x 20"
Minimum distance from counter front	2 1/4"	2 1/4"
Minimum distance from rear wall	2"	2"
Net weight	25 lbs	26 lbs

### Optional Accessories



HEZ390210  
8" AutoChef® pan  
for 6" element



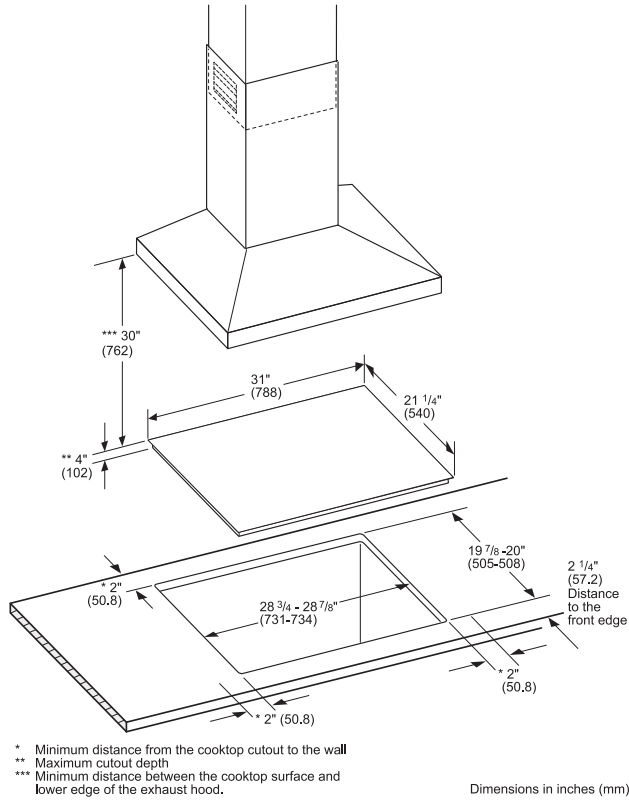
HEZ390220  
9" AutoChef® pan  
for 7" element



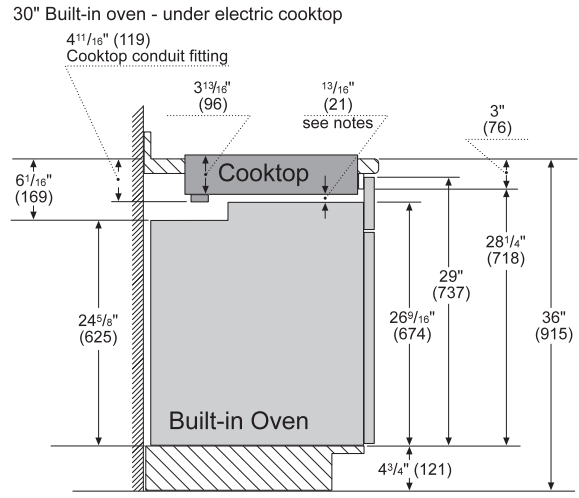
HEZ390230  
10" AutoChef® pan  
for 8" and 9" elements

# 500 / 800 Series 30" Electric Cooktops

## Cooktop and Cutout Dimensions



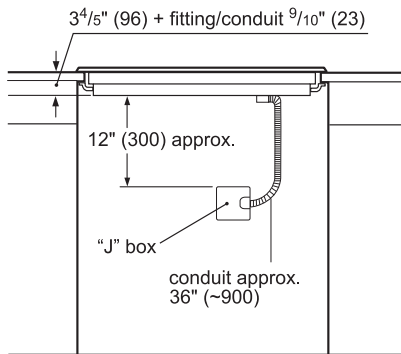
## Cooktop Installation Above Wall Oven



Notes:  
 Dimensions based on standard countertop height (36" with 4 3/4" toe kick including base plate).  
 The built-in oven can be installed below the electric cooktop as long as there is no contact between the bottom of the cooktop and the top of the oven.

Measurements in inches (mm)

## Electrical Location



measurement in inches (mm)

# 500 / 800 Series 36" Electric Cooktops



### 36" 500 Series NEM5666UC

- Heat Indicator
- 9", 2,500 W Dual-Ring Element
- 7", 1,700 W Dual-Ring Element
- Stainless Steel Color Knobs



### 36" 800 Series NET8666UC (Frameless) NET8666SUC (Frame)

- + PreciseSelect®
- + 9", 3,100 W Center Element
- + Countdown Element Shut Off Timer
- + Framed and Frameless Options

+ Indicates a step-up feature

	500 Series	800 Series
	Black Frameless – NEM5666UC	Black Frameless – NET8666UC Black with Stainless Steel Frame – NET8666SUC
<b>General Properties</b>		
Knob material	Stainless Steel Color – Plastic	N/A
<b>Element Performance</b>		
Power of Front Left heating element	1,700 / 700 W	1,800 W
Power of Back Left heating element	1,800 W	1,800 W
Power of Center heating element	1,800 W	3,100 / 1,300 W
Power of Back Right heating element	1,200 W	1,200 W
Power of Front Right heating element	2,500 / 1,100 W	1,900 / 800 W
<b>Element Size</b>		
Dimension of Front Left heating element	7", 5"	7"
Dimension of Back Left heating element	7"	7"
Dimension of Center heating element	7"	9", 6"
Dimension of Back Right heating element	6"	6"
Dimension of Front Right heating element	9", 6"	8", 5"
<b>Technical Details</b>		
Watts	9,000 W	9,600 W
Circuit breaker	40 A	40 A
Volts	208 – 240 V	208 – 240 V
Frequency	60 Hz	60 Hz
Plug type	No plug	No plug
Energy source	Electric	Electric
<b>Dimensions &amp; Weight</b>		
Overall appliance dimensions (HxWxD)	1/4" +4" x 37" x 21 1/4"	1/4" +4" x 37" x 21 1/4"
Required cutout size (HxWxD)	4" x 34 7/8" x 20"	4" x 34 7/8" x 20"
Minimum distance from counter front	2 1/4"	2 1/4"
Minimum distance from rear wall	2"	2"
Net weight	30 lbs	31 lbs

### Optional Accessories



HEZ390210  
8" AutoChef® pan  
for 6" element



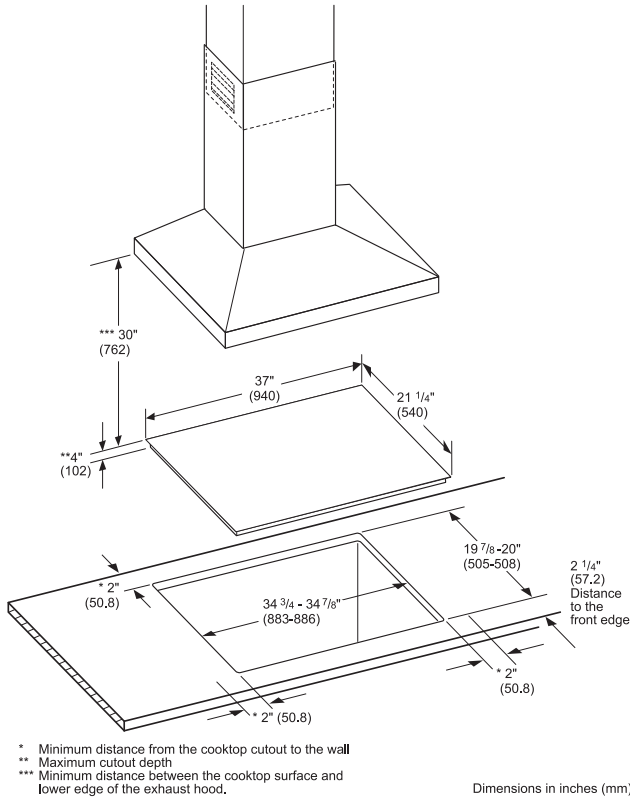
HEZ390220  
9" AutoChef® pan  
for 7" element



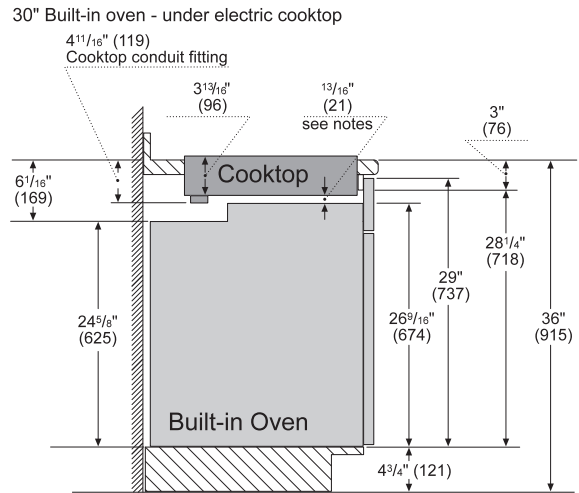
HEZ390230  
10" AutoChef® pan  
for 8" and 9" elements

# 500 / 800 Series 36" Electric Cooktops

## Cooktop and Cutout Dimensions



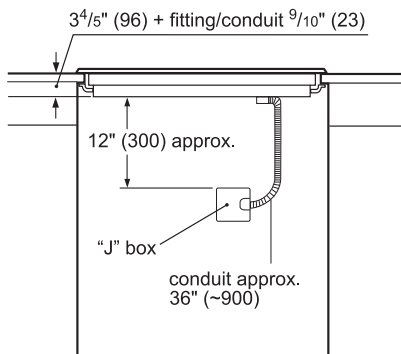
## Cooktop Installation Above Wall Oven



Notes:  
 Dimensions based on standard countertop height (36" with 4 3/4" toe kick including base plate).  
 The built-in oven can be installed below the electric cooktop as long as there is no contact between the bottom of the cooktop and the top of the oven.

Measurements in inches (mm)

## Electrical Location



measurement in inches (mm)