

Cooktops

Precise performance meets streamlined design.





Whether you choose gas, electric or induction, sleek European design and precise cooking performance is built into every Bosch cooktop. Cooktop burners offer optimal cooking flexibility with high heat and low simmer options. With easy-to-clean surfaces and grates as well as solid stainless steel frames and die-cast metal knobs, our quality German engineering really shows.

Benchmark™ Cooktops

Three brilliant ways to cook.
One exceptional way to engineer them.





Versatile Induction Cooking

FlexInduction® technology on the Benchmark™ induction cooktop allows you to combine two cooking zones to fit griddles and large pans perfectly, or use the cooking zones individually for even cooking, no matter the size of your pan.



Dual-Stacked Burner

The Benchmark™ gas cooktops feature a dual-stacked burner that delivers both low simmer and 20,000 BTUs for fast boiling and greater cooking flexibility.



Spacious Heating Element

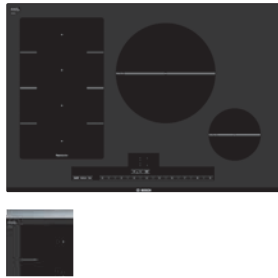
The Benchmark™ 36" electric cooktop features a three-zone 11" heating element with 3080W of power for fast heating.



PowerStart®

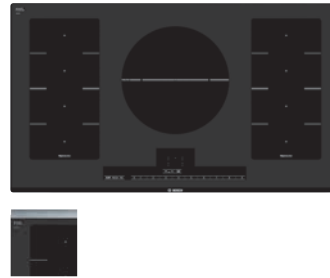
This feature temporarily increases and holds the temperature at the most powerful setting. Then it gradually declines to your preset level. This reduces cooking time and offers the convenience of one-button operation.

Benchmark™ Induction Cooktops



30" Benchmark™
NITP066UC (Frameless)
NITP066SUC (Frame)

- FlexInduction® Element
- 17 Heat Levels
- Countdown Element Shut Off Timer
- PreciseSelect® Control



36" Benchmark™
NITP666UC (Frameless)
NITP666SUC (Frame)

- Two FlexInduction® Elements
- 17 Heat Levels
- Countdown Element Shut Off Timer
- PreciseSelect® Control

	30"	36"
	Black – NITP066UC Black with Stainless Steel Frame – NITP066SUC	Black – NITP666UC Black with Stainless Steel Frame – NITP666SUC
Element Performance		
Power of Full Zone Left & Right heating element (in boost)	N/A	3,300 W (3,600 W)
Power of Full Zone Left heating element (in boost)	3,300 W (3,600 W)	N/A
Power of Front Left heating element (in boost)	2,000 W (2,500 W)	2,000 W (2,500 W)
Power of Back Left heating element (in boost)	2,000 W (2,500 W)	2,000 W (2,500 W)
Power of Center heating element (in boost)	N/A	3,300 / 2,200 W (4,500 / 3,400 W)
Power of Back Right heating element (in boost)	2,400 W (3,600 W)	2,000 W (2,500 W)
Power of Front Right heating element (in boost)	1,400 W (1,800 W)	2,000 W (2,500 W)
Burners with booster	All	All
Element Size		
Dimension of Front Left heating element	8" x 9"	7" x 8"
Dimension of Back Left heating element	8" x 9"	7" x 8"
Dimension of Center heating element	N/A	12", 9"
Dimension of Back Right heating element	11"	7" x 8"
Dimension of Front Right heating element	6"	7" x 8"
Technical Details		
Watts	7,200 W	10,800 W
Circuit breaker	30 A	50 A
Volts	208 – 240 V	208 – 240 V
Frequency	60 Hz	60 Hz
Plug type	No plug	No plug
Power cord length	37"	37"
Energy source	Electric	Electric
Dimensions & Weight		
Overall appliance dimensions (HxWxD)	NITP066UC: 1/4" +4 1/8" x 31" x 21 1/4" NITP066SUC: 5/16" +4 1/8" x 31" x 21 1/4"	5/16" +4 1/8" x 37" x 21 1/4"
Required cutout size (HxWxD)	4 1/8" x 28 7/8" x 20"	4 1/8" x 34 7/8" x 20"
Minimum distance from counter front	2 1/4"	2 1/4"
Minimum distance from rear wall	2"	2"
Net weight	41 lbs	50 lbs

Optional Accessories



HEZ390522
Grill



HEZ390512
Teppanyaki



HEZ390210
8" AutoChef® pan
for 6" element



HEZ390220
9" AutoChef® pan*
for 7" element

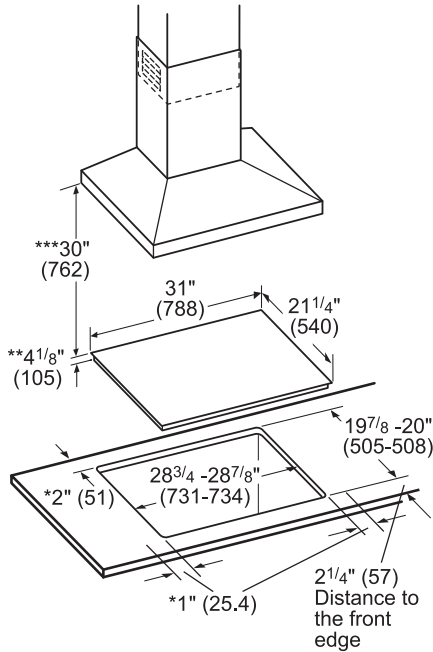


HEZ390230
10" AutoChef® pan
for 8" and 9" elements

*For use with 36" models

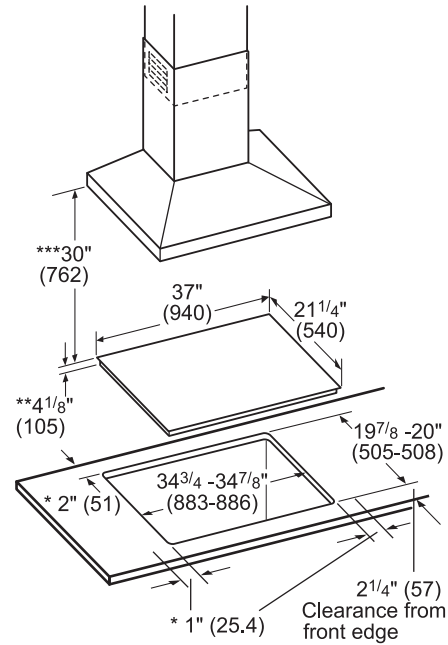
Benchmark™ Induction Cooktops

30" Cooktop and Cutout Dimensions



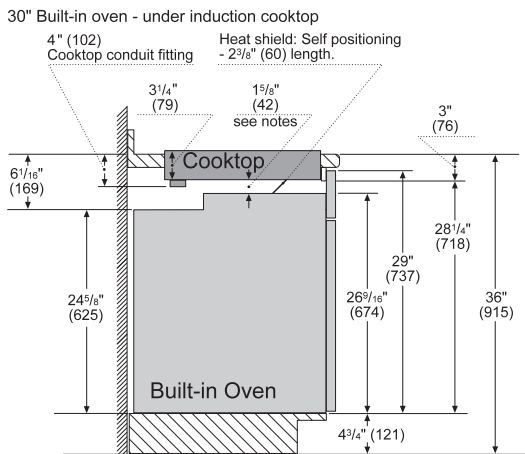
- * Minimum distance from the cooktop cutout to the wall
 - ** Installed depth includes 1" (26 mm) air clearance
 - *** Minimum distance between surface of the cooktop and lower edge of the exhaust hood.
- Dimensions in inches (mm)

36" Cooktop and Cutout Dimensions



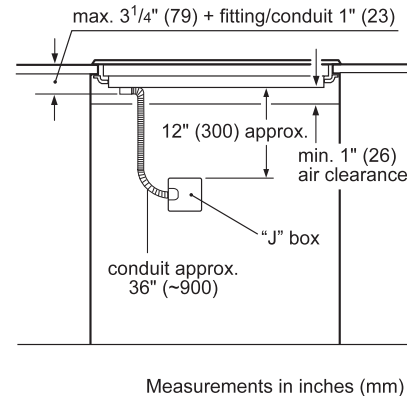
- * Minimum clearance from the cooktop cutout to the wall
 - ** Installed depth includes gap of 1" (26 mm) to the ventilation
 - *** Minimum clearance between surface of the cooktop and lower edge of the exhaust hood.
- measurements in inches (mm)

36" Cooktop Installation Above Wall Oven



- Notes:
 Dimensions based on standard countertop height (36" with 4 3/4" toe kick including base plate).
 The built-in oven can be installed below the induction cooktop as long as there is a minimum 1" (26) clearance between the bottom of the cooktop and the top of the oven.
- Measurements in inches (mm)

Electrical Location



IMPORTANT: Bosch 30" Induction Cooktops are not approved to be installed above wall ovens.

500 / 800 Series 30" Induction Cooktops



30" 500 Series NIT5066UC

- 17 Heat Levels
- CountDown Element Shut Off Timer
- 11", 3,600 W, 8", 3,700 W



30" 800 Series NIT8066UC (Frameless) NIT8066SUC (Frame)

- + AutoChef®
- + PreciseSelect® Control
- + Framed and Frameless Options



+ Indicates a step-up feature

	500 Series	800 Series
	Black – NIT5066UC	Black – NIT8066UC Black with Stainless Steel Frame – NIT8066SUC
Element Performance		
Power of Front Left heating element	2,200 W	2,200 W
Power of Front Left heating element (in boost)	3,700 W	3,700 W
Power of Back Left heating element	1,400 W	1,400 W
Power of Back Left heating element (in boost)	1,800 W	1,800 W
Power of Back Right heating element	2,400 W	2,400 W
Power of Back Right heating element (in boost)	3,600 W	3,600 W
Power of Front Right heating element	1,400 W	1,400 W
Power of Front Right heating element (in boost)	1,800 W	1,800 W
Burners with booster	All	All
Element Size		
Dimension of Front Left heating element	8"	8"
Dimension of Back Left heating element	6"	6"
Dimension of Back Right heating element	11"	11"
Dimension of Front Right heating element	6"	6"
Technical Details		
Watts	7,200 W	7,200 W
Circuit breaker	30 A	30 A
Volts	208 – 240 V	208 – 240 V
Frequency	60 Hz	60 Hz
Plug type	No plug	No plug
Power cord length	37"	37"
Energy source	Electric	Electric
Dimensions & Weight		
Overall appliance dimensions (HxWxD)	1/4" +4 1/8" x 31" x 21 1/4"	NIT8066UC: 1/4" +4 1/8" x 31" x 21 1/4" NIT8066SUC: 5/16" +4 1/8" x 31" x 21 1/4"
Required cutout size (HxWxD)	4 1/8" x 28 7/8" x 20"	4 1/8" x 28 7/8" x 20"
Minimum distance from counter front	2 1/4"	2 1/4"
Minimum distance from rear wall	2"	2"
Net weight	41 lbs	41 lbs

Optional Accessories



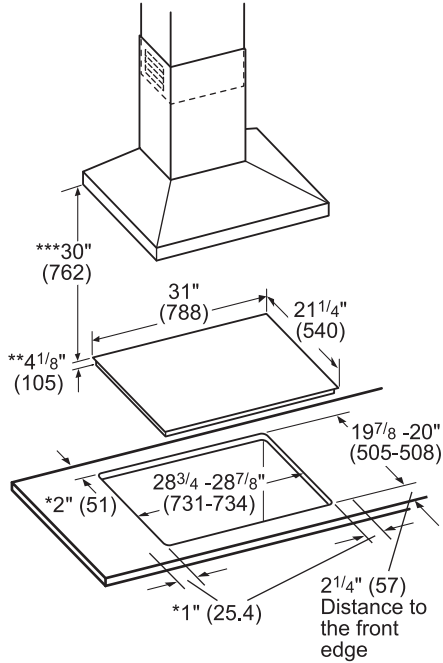
HEZ390210
8" AutoChef® pan
for 6" element



HEZ390230
10" AutoChef® pan
for 8" and 9" elements

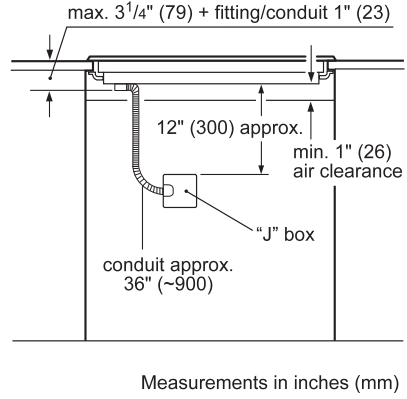
500 / 800 Series 30" Induction Cooktops

Cooktop and Cutout Dimensions



- * Minimum distance from the cooktop cutout to the wall
 - ** Installed depth includes 1" (26 mm) air clearance
 - *** Minimum distance between surface of the cooktop and lower edge of the exhaust hood.
- Dimensions in inches (mm)

Electrical Location



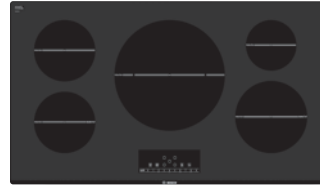
IMPORTANT: Bosch 30" Induction Cooktops are not approved to be installed above wall ovens.

500 / 800 Series 36" Induction Cooktops



36" 500 Series NIT5666UC

- PreciseSelect® Control
- 17 Heat Levels
- Countdown Element Shut Off Timer
- 11", 3,600 W, 8", 3,700 W



36" 800 Series NIT8666UC (Frameless) NIT8666SUC (Frame)

- + AutoChef®
- + 12", Dual-Ring 4,500 W
- + Framed and Frameless Options



+ Indicates a step-up feature

	500 Series	800 Series
	Black – NIT5666UC	Black – NIT8666UC Black with Stainless Steel Frame – NIT8666SUC
Element Performance		
Power of Front Left heating element (in boost)	1,800 W (2,500 W)	1,800 W (2,500 W)
Power of Back Left heating element (in boost)	1,800 W (2,500 W)	1,800 W (2,500 W)
Power of Center heating element (in boost)	2,800 W (3,600 W)	3,300 / 2,200 W (4,500 / 3,400 W)
Power of Back Right heating element (in boost)	1,400 W (1,800 W)	1,400 W (1,800 W)
Power of Front Right heating element (in boost)	2,200 W (3,700 W)	2,200 W (3,700 W)
Burners with booster	All	All
Element Size		
Dimension of Front Left heating element	7"	7"
Dimension of Back Left heating element	7"	7"
Dimension of Center heating element	11"	12", 9"
Dimension of Back Right heating element	6"	6"
Dimension of Front Right heating element	8"	8"
Technical Details		
Watts	9,600 W	9,600 W
Circuit breaker	40 A	40 A
Volts	208 – 240 V	208 – 240 V
Frequency	60 Hz	60 Hz
Plug type	No plug	No plug
Power cord length	37"	37"
Energy source	Electric	Electric
Dimensions & Weight		
Overall appliance dimensions (HxWxD)	5/16" +4 1/8" x 37" x 21 1/4"	5/16" +4 1/8" x 37" x 21 1/4"
Required cutout size (HxWxD)	4 1/8" x 34 7/8" x 20"	NIT8666UC: 4 1/8" x 34 7/8" x 20" NIT8666SUC: 4 1/8" x 34 7/8" x 20"
Minimum distance from counter front	2 1/4"	2 1/4"
Minimum distance from rear wall	2"	2"
Net weight	50 lbs	50 lbs

Optional Accessories



HEZ390210
8" AutoChef® pan
for 6" element



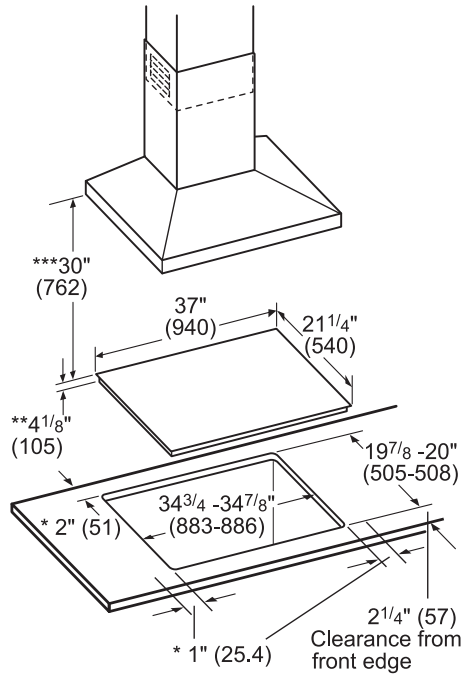
HEZ390220
9" AutoChef® pan
for 7" element



HEZ390230
10" AutoChef® pan
for 8" and 9" elements

500 / 800 Series 36" Induction Cooktops

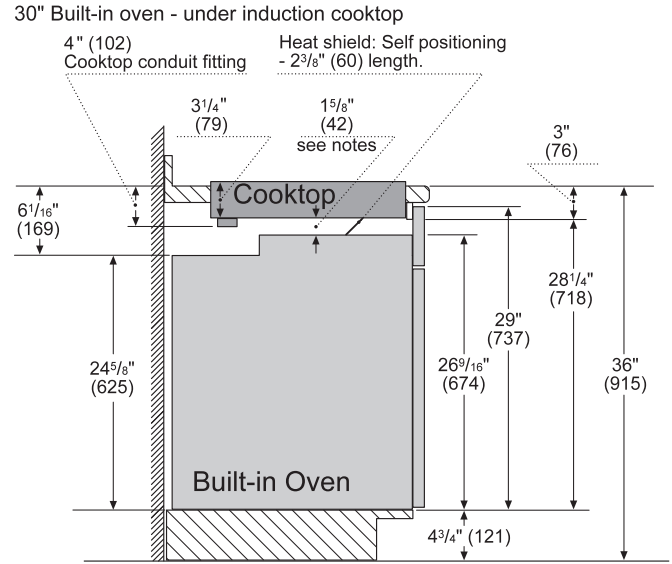
Cooktop and Cutout Dimensions



- * Minimum clearance from the cooktop cutout to the wall
- ** Installed depth includes gap of 1" (26 mm) to the ventilation
- *** Minimum clearance between surface of the cooktop and lower edge of the exhaust hood.

measurements in inches (mm)

Cooktop Installation Above Wall Oven



Notes:

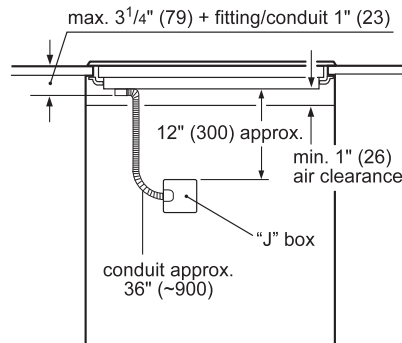
Dimensions based on standard countertop height (36" with 4³/₄" toe kick including base plate).

The built-in oven can be installed below the induction cooktop as long as there is a minimum 1" (26) clearance between the bottom of the cooktop and the top of the oven.

Measurements in inches (mm)

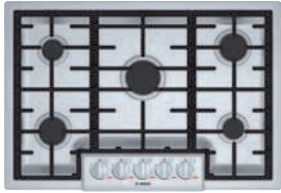
IMPORTANT: Bosch 30" Induction Cooktops are not approved to be installed above wall ovens.

Electrical Location



Measurements in inches (mm)

Benchmark™ Gas Cooktops



**30" Benchmark™
NGMP055UC**

- 20K Max. BTU Performance
- 5 Burners
- Dual-Stacked Hi / Lo Burner
- LED Indicator Lights all Knobs



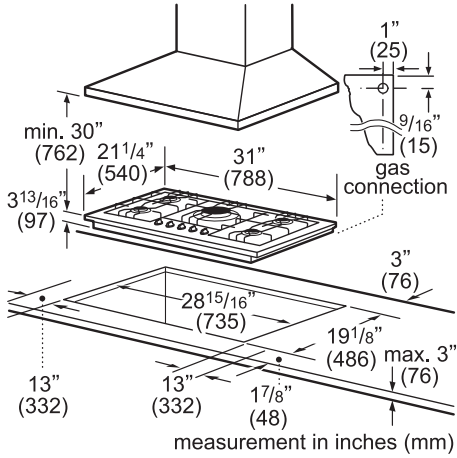
**36" Benchmark™
NGMP655UC**

- 20K Max. BTU Performance
- 5 Burners
- Dual-Stacked Hi / Lo Burner
- LED Indicator Lights all Knobs

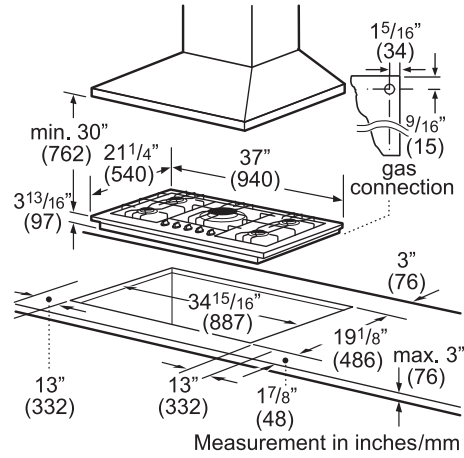
	30"	36"
	Stainless Steel – NGMP055UC	Stainless Steel – NGMP655UC
General Properties		
Knob material	Metal	Metal
Sealed burners	Yes	Yes
Grate material	Cast iron	Cast iron
Element Performance		
Total BTU load (NG / LP)	51,000 / 43,200	59,500 / 47,300
Power of front left burner (NG / LP)	10,000 / 9,100	12,000 / 9,100
Power of back left burner (NG / LP)	5,500 / 5,000	12,000 / 9,100
Power of center burner (NG / LP)	20,000 / 15,000	20,000 / 15,000
Power of back right burner (NG / LP)	10,000 / 9,100	5,500 / 5,000
Power of front right burner (NG / LP)	5,500 / 5,000	12,000 / 9,100
Technical Details		
Watts	360 W	360 W
Circuit breaker	15 A	15 A
Volts	120 V	120 V
Frequency	60 Hz	60 Hz
Plug type	3 prong	3 prong
Power cord length	60"	60"
Energy source	Gas	Gas
Convertible to LP (kit required)	Yes	Yes
Dimensions & Weight		
Overall appliance dimensions (HxWxD)	3 13/16" x 31" x 21 1/4"	3 13/16" x 37" x 21 1/4"
Required cutout size (HxWxD)	3 13/16" x 28 15/16" x 19 1/8"	3 13/16" x 34 15/16" x 19 1/8"
Minimum distance from counter front	1 7/8"	1 7/8"
Minimum distance from rear wall	3"	3"
Net weight	38 lbs	39 lbs
Accessories – Included		
Included	LP conversion kit	LP conversion kit

Benchmark™ Gas Cooktops

30" Cooktop and Cutout Dimensions

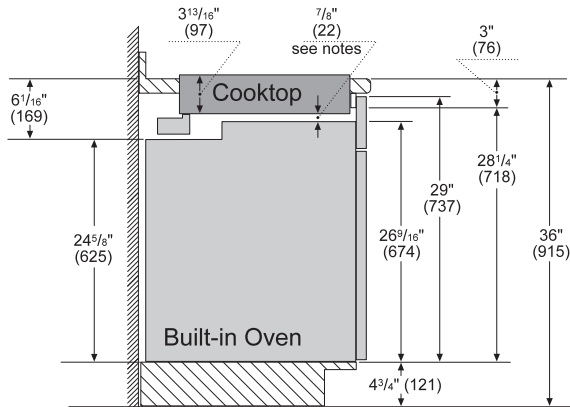


36" Cooktop and Cutout Dimensions



Cooktop Installation Above Wall Oven

30" Built-in oven - under gas cooktop



Notes:

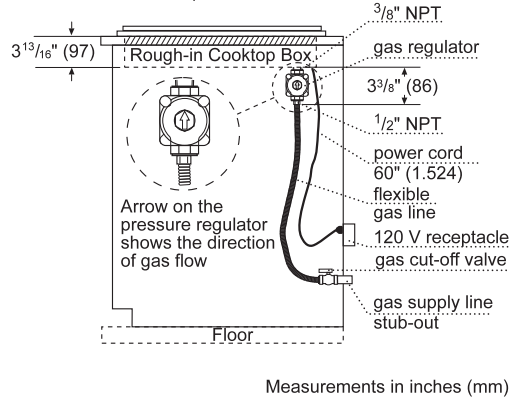
Dimensions based on standard countertop height (36" with 4 3/4" toe kick including base plate).

The built-in oven can be installed below the gas cooktop as long as there is no contact between the bottom of the cooktop and the top of the oven.

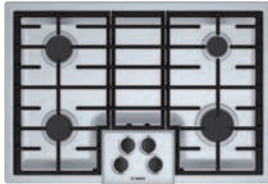
Measurements in inches (mm)

Gas Location

Side View Gas Cooktop Installation



500 / 800 Series 30" Gas Cooktops



**30" 500 Series
NGM5055UC**

- 16K Max. BTU Performance
- Black Metal knobs



**30" 800 Series
NGM8055UC (Stainless Steel)
NGM8065UC (Black)**

- + 18K Max. BTU Performance
- + 5 Burners
- + Single Indicator Light
- + Stainless Steel Knobs (Black Metal Knobs on Black Model)

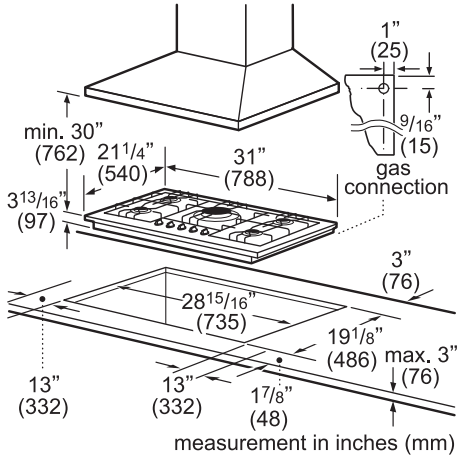


+ Indicates a step-up feature

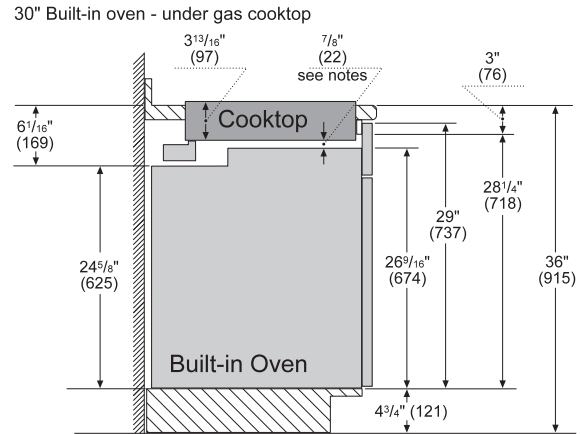
	500 Series	800 Series
	Stainless Steel – NGM5055UC	Stainless Steel – NGM8055UC Black – NGM8065UC
General Properties		
Knob material	Metal	Metal
Sealed burners	Yes	Yes
Grate material	Cast iron	Cast iron
Element Performance		
Total BTU load (NG / LP)	41,500 / 38,200	49,000 / 43,200
Power of front left burner (NG / LP)	10,000 / 9,100	10,000 / 9,100
Power of back left burner (NG / LP)	10,000 / 9,100	5,500 / 5,000
Power of center burner (NG / LP)	N/A	18,000 / 15,000
Power of back right burner (NG / LP)	5,500 / 5,000	10,000 / 9,100
Power of front right burner (NG / LP)	16,000 / 15,000	5,500 / 5,000
Technical Details		
Watts	360 W	360 W
Circuit breaker	15 A	15 A
Volts	120 V	120 V
Frequency	60 Hz	60 Hz
Plug type	3 prong	3 prong
Power cord length	60"	60"
Energy source	Gas	Gas
Convertible to LP (kit required)	Yes	Yes
Dimensions & Weight		
Overall appliance dimensions (HxWxD)	3 13/16" x 31" x 21 1/4"	3 13/16" x 31" x 21 1/4"
Required cutout size (HxWxD)	3 13/16" x 28 15/16" x 19 1/8"	3 13/16" x 28 15/16" x 19 1/8"
Minimum distance from counter front	1 7/8"	1 7/8"
Minimum distance from rear wall	3"	3"
Net weight	37 lbs	37 lbs
Accessories – Included		
Included	LP conversion kit	LP conversion kit

500 / 800 Series 30" Gas Cooktops

Cooktop and Cutout Dimensions



Cooktop Installation Above Wall Oven



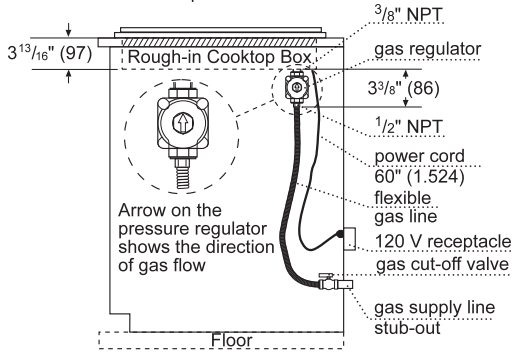
Notes:
Dimensions based on standard countertop height (36" with 4 3/4" toe kick including base plate).

The built-in oven can be installed below the gas cooktop as long as there is no contact between the bottom of the cooktop and the top of the oven.

Measurements in inches (mm)

Gas Location

Side View Gas Cooktop Installation



Measurements in inches (mm)

500 / 800 Series 36" Gas Cooktops



36" 500 Series NGM5655UC

- 16K Max. BTU Performance
- Black Metal Knobs



36" 800 Series NGM8655UC (Stainless Steel) NGM8665UC (Black)

- + 18K Max. BTU Performance
- + 5 Burners
- + Single Indicator Light
- + Stainless Steel Knobs (Black Metal Knobs on Black Model)

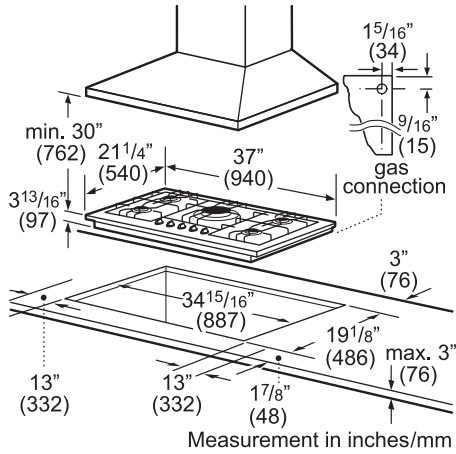


+ Indicates a step-up feature

	500 Series	800 Series
	Stainless Steel – NGM5655UC	Stainless Steel – NGM8655UC Black – NGM8665UC
General Properties		
Knob material	Metal	Metal
Sealed burners	Yes	Yes
Grate material	Cast iron	Cast iron
Element Performance		
Total BTU load (NG / LP)	57,500 / 47,300	59,500 / 47,300
Power of front left burner (NG / LP)	12,000 / 9,100	12,000 / 9,100
Power of back left burner (NG / LP)	12,000 / 9,100	12,000 / 9,100
Power of center burner (NG / LP)	16,000 / 15,000	18,000 / 15,000
Power of back right burner (NG / LP)	5,500 / 5,000	5,500 / 5,000
Power of front right burner (NG / LP)	12,000 / 9,100	12,000 / 9,100
Technical Details		
Watts	360 W	360 W
Circuit breaker	15 A	15 A
Volts	120 V	120 V
Frequency	60 Hz	60 Hz
Plug type	3 prong	3 prong
Power cord length	60"	60"
Energy source	Gas	Gas
Convertible to LP (kit required)	Yes	Yes
Dimensions & Weight		
Overall appliance dimensions (HxWxD)	3 13/16" x 37" x 21 1/4"	3 13/16" x 37" x 21 1/4"
Required cutout size (HxWxD)	3 13/16" x 34 15/16" x 19 1/8"	3 13/16" x 34 15/16" x 19 1/8"
Minimum distance from counter front	1 7/8"	1 7/8"
Minimum distance from rear wall	3"	3"
Net weight	39 lbs	39 lbs
Accessories – Included		
Included	LP conversion kit	LP conversion kit

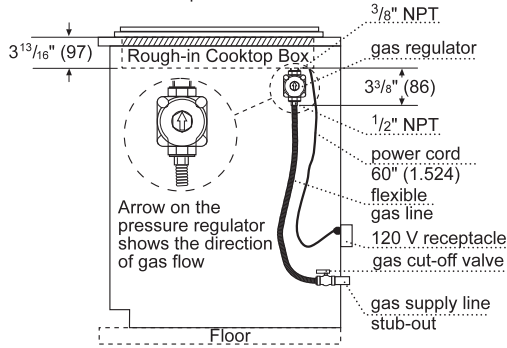
500 / 800 Series 36" Gas Cooktops

Cooktop and Cutout Dimensions



Gas Location

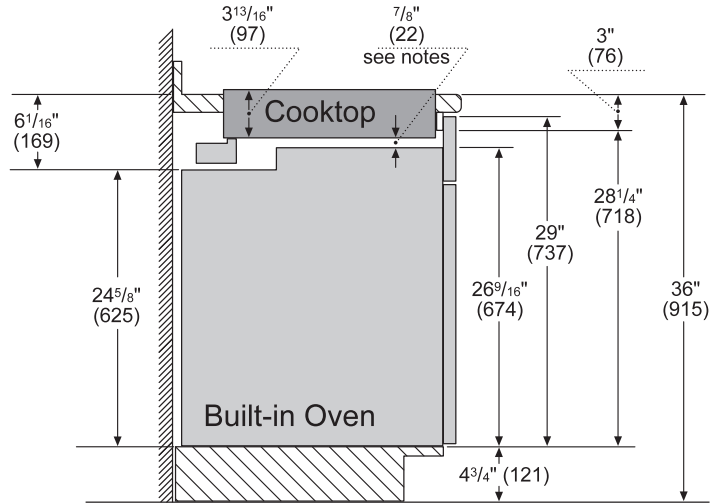
Side View Gas Cooktop Installation



Measurements in inches (mm)

Cooktop Installation Above Wall Oven

30" Built-in oven - under gas cooktop



Notes:

Dimensions based on standard countertop height (36" with 4 3/4" toe kick including base plate).

The built-in oven can be installed below the gas cooktop as long as there is no contact between the bottom of the cooktop and the top of the oven.

Measurements in inches (mm)

Benchmark™ Electric Cooktops



30" Benchmark™ NETP066SUC

- Five Burners
- 9", 3,100 W Dual-Ring Element
- 7", 2,000 W Dual-Ring Element
- AutoChef®
- PowerStart®



36" Benchmark™ NETP666SUC

- Five Burners
- 11", 3,080 W Triple-Ring Element
- 8", 1,900 W Dual-Ring Element
- AutoChef®
- PowerStart®

	30"	36"
	Black with Stainless Steel Frame – NETP066SUC	Black with Stainless Steel Frame – NETP666SUC
Element Performance		
Power of Front Left heating element	2,000 / 800 W	1,800 W
Power of Back Left heating element	1,200 W	1,800 W
Power of Center heating element	3,100 / 1,300 W	3,080 / 2,200 / 1,050 W
Power of Back Right heating element	1,200 W	1,200 W
Power of Front Right heating element	1,500 W	1,900 / 800 W
Element Size		
Dimension of Front Left heating element	7", 5"	7"
Dimension of Back Left heating element	6"	7"
Dimension of Center heating element	9", 6"	11", 8", 6"
Dimension of Back Right heating element	6"	6"
Dimension of Front Right heating element	6"	8", 5"
Technical Details		
Watts	9,000 W	9,700 W
Circuit breaker	40 A	40 A
Volts	208 – 240 V	208 – 240 V
Frequency	60 Hz	60 Hz
Plug type	No plug	No plug
Energy source	Electric	Electric
Dimensions & Weight		
Overall appliance dimensions (HxWxD)	1/4" +4" x 31" x 21 1/4"	1/4" +4" x 37" x 21 1/4"
Required cutout size (HxWxD)	4" x 28 7/8" x 20"	4" x 34 7/8" x 20"
Minimum distance from counter front	2 1/4"	2 1/4"
Minimum distance from rear wall	2"	2"
Net weight	27 lbs	33 lbs

Optional Accessories



HEZ390210
8" AutoChef® pan
for 6" element



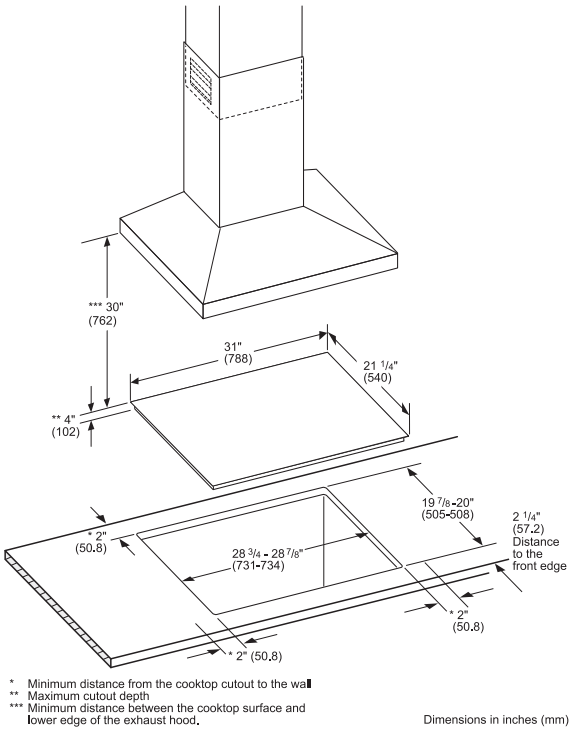
HEZ390220
9" AutoChef® pan
for 7" element



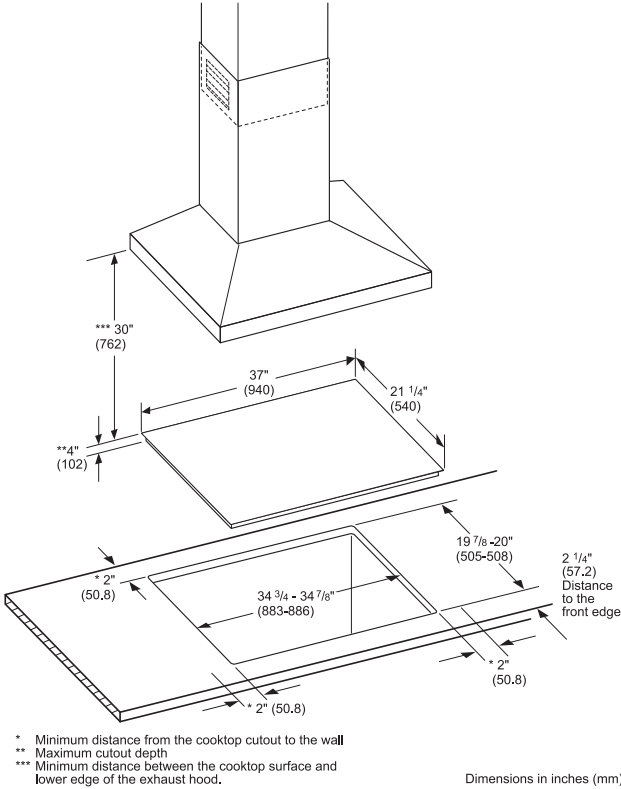
HEZ390230
10" AutoChef® pan
for 8" and 9" elements

Benchmark™ Electric Cooktops

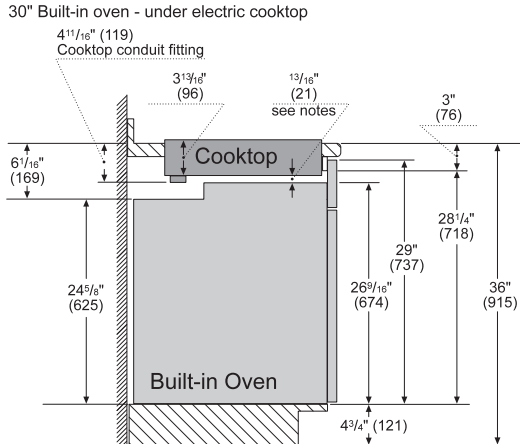
30" Cooktop and Cutout Dimensions



36" Cooktop and Cutout Dimensions



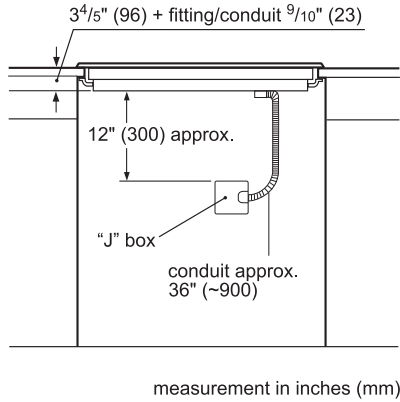
Cooktop Installation Above Wall Oven



Notes:
 Dimensions based on standard countertop height (36" with 4 3/4" toe kick including base plate).
 The built-in oven can be installed below the electric cooktop as long as there is no contact between the bottom of the cooktop and the top of the oven.

Measurements in inches (mm)

Electrical Location

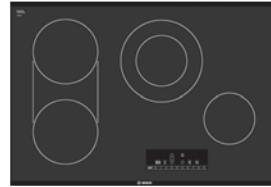


500 / 800 Series 30" Electric Cooktops



30" 500 Series NEM5066UC

- 7" Dual-Ring Element
- 9", 2,500 W Element
- Heat Indicator
- Stainless Steel Color Knobs



30" 800 Series NET8066UC (Frameless) NET8066SUC (Frame)

- + PreciseSelect®
- + 9", 3,100 W Dual-Ring Element
- + Countdown Element Shut Off Timer
- + Framed and Frameless Options



+ Indicates a step-up feature

	500 Series	800 Series
	Black Frameless – NEM5066UC	Black Frameless – NET8066UC Black with Stainless Steel Frame – NET8066SUC
General Properties		
Knob material	Stainless Steel Color – Plastic	N/A
Element Performance		
Power of Front Left heating element	1,700 / 700 W	1,800 W
Power of Back Left heating element	1,800 W	1,800 W
Power of Back Right heating element	1,200 W	3,100 / 1,300 W
Power of Front Right heating element	2,500 W	1,200 W
Element Size		
Dimension of Front Left heating element	7", 5"	7"
Dimension of Back Left heating element	7"	7"
Dimension of Back Right heating element	6"	9", 6"
Dimension of Front Right heating element	9"	6"
Technical Details		
Watts	7,200 W	8,300 W
Circuit breaker	30 A	40 A
Volts	208 – 240 V	208 – 240 V
Frequency	60 Hz	60 Hz
Plug type	No plug	No plug
Energy source	Electric	Electric
Dimensions & Weight		
Overall appliance dimensions (HxWxD)	1/4" +4" x 31" x 21 1/4"	1/4" +4" x 31" x 21 1/4"
Required cutout size (HxWxD)	4" x 28 7/8" x 20"	4" x 28 7/8" x 20"
Minimum distance from counter front	2 1/4"	2 1/4"
Minimum distance from rear wall	2"	2"
Net weight	25 lbs	26 lbs

Optional Accessories



HEZ390210
8" AutoChef® pan
for 6" element



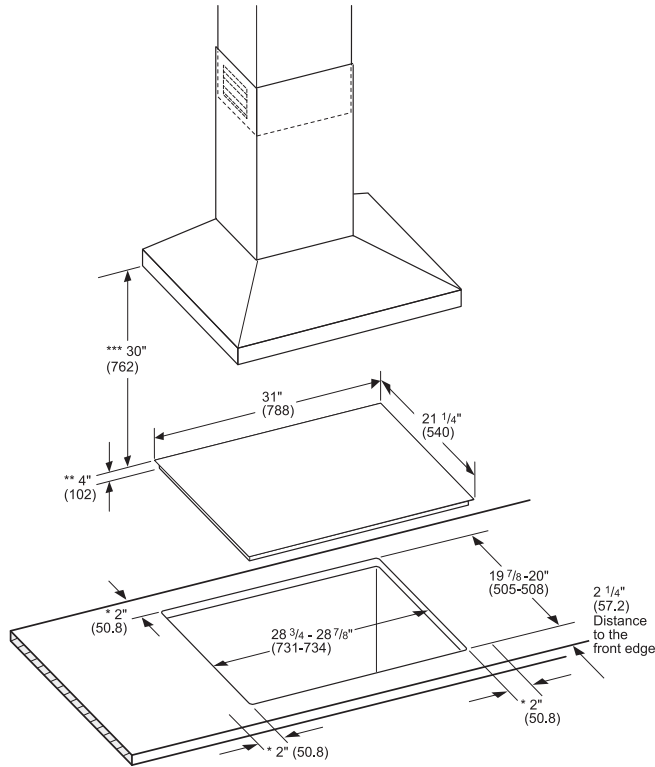
HEZ390220
9" AutoChef® pan
for 7" element



HEZ390230
10" AutoChef® pan
for 8" and 9" elements

500 / 800 Series 30" Electric Cooktops

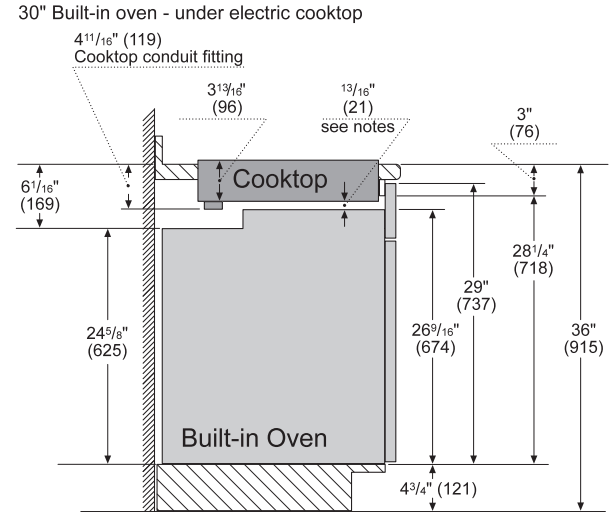
Cooktop and Cutout Dimensions



- * Minimum distance from the cooktop cutout to the wall
- ** Maximum cutout depth
- *** Minimum distance between the cooktop surface and lower edge of the exhaust hood.

Dimensions in inches (mm)

Cooktop Installation Above Wall Oven



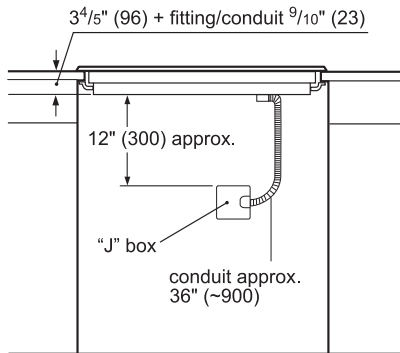
Notes:

Dimensions based on standard countertop height (36" with 4 3/4" toe kick including base plate).

The built-in oven can be installed below the electric cooktop as long as there is no contact between the bottom of the cooktop and the top of the oven.

Measurements in inches (mm)

Electrical Location



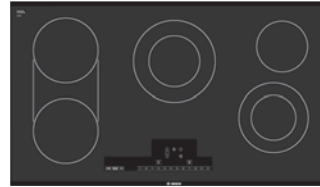
measurement in inches (mm)

500 / 800 Series 36" Electric Cooktops



36" 500 Series NEM5666UC

- Heat Indicator
- 9", 2,500 W Dual-Ring Element
- 7", 1,700 W Dual-Ring Element
- Stainless Steel Color Knobs



36" 800 Series NET8666UC (Frameless) NET8666SUC (Frame)

- + PreciseSelect®
- + 9", 3,100 W Center Element
- + Countdown Element Shut Off Timer
- + Framed and Frameless Options

+ Indicates a step-up feature

	500 Series	800 Series
	Black Frameless – NEM5666UC	Black Frameless – NET8666UC Black with Stainless Steel Frame – NET8666SUC
General Properties		
Knob material	Stainless Steel Color – Plastic	N/A
Element Performance		
Power of Front Left heating element	1,700 / 700 W	1,800 W
Power of Back Left heating element	1,800 W	1,800 W
Power of Center heating element	1,800 W	3,100 / 1,300 W
Power of Back Right heating element	1,200 W	1,200 W
Power of Front Right heating element	2,500 / 1,100 W	1,900 / 800 W
Element Size		
Dimension of Front Left heating element	7", 5"	7"
Dimension of Back Left heating element	7"	7"
Dimension of Center heating element	7"	9", 6"
Dimension of Back Right heating element	6"	6"
Dimension of Front Right heating element	9", 6"	8", 5"
Technical Details		
Watts	9,000 W	9,600 W
Circuit breaker	40 A	40 A
Volts	208 – 240 V	208 – 240 V
Frequency	60 Hz	60 Hz
Plug type	No plug	No plug
Energy source	Electric	Electric
Dimensions & Weight		
Overall appliance dimensions (HxWxD)	1/4" +4" x 37" x 21 1/4"	1/4" +4" x 37" x 21 1/4"
Required cutout size (HxWxD)	4" x 34 7/8" x 20"	4" x 34 7/8" x 20"
Minimum distance from counter front	2 1/4"	2 1/4"
Minimum distance from rear wall	2"	2"
Net weight	30 lbs	31 lbs

Optional Accessories



HEZ390210
8" AutoChef® pan
for 6" element



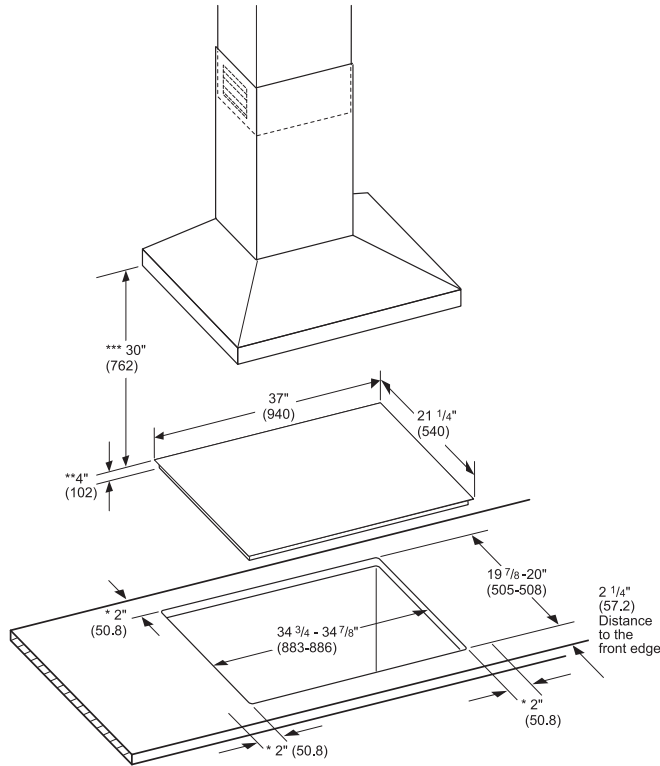
HEZ390220
9" AutoChef® pan
for 7" element



HEZ390230
10" AutoChef® pan
for 8" and 9" elements

500 / 800 Series 36" Electric Cooktops

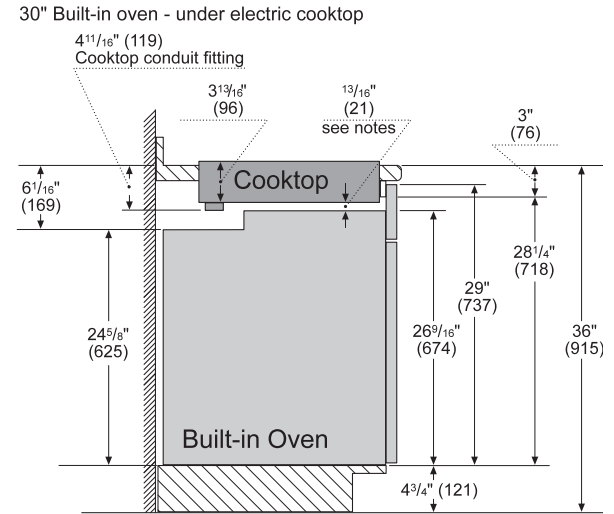
Cooktop and Cutout Dimensions



- * Minimum distance from the cooktop cutout to the wall
- ** Maximum cutout depth
- *** Minimum distance between the cooktop surface and lower edge of the exhaust hood.

Dimensions in inches (mm)

Cooktop Installation Above Wall Oven



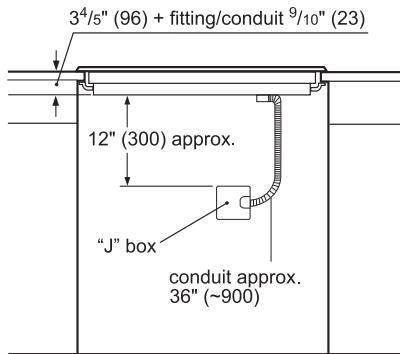
Notes:

Dimensions based on standard countertop height (36" with 4³/₄" toe kick including base plate).

The built-in oven can be installed below the electric cooktop as long as there is no contact between the bottom of the cooktop and the top of the oven.

Measurements in inches (mm)

Electrical Location



measurement in inches (mm)