

# 30" Combination Wall Oven 500 Series - Stainless Steel HBL5750UC



## Features and Benefits

### Key Features

- Large Capacity at 4.7 Cu.Ft.
- Fast Preheat Reduces Preheat Time to around 7 Minutes
- Meat Probe Takes Guesswork out of Cooking
- Recipe Mode Provides 30 Pre-Programmed Auto Settings

### Design

- Contemporary Stainless Steel Design
- ClearTouch® Glass Control
- Flush-to-Cabinet Design
- Retractable Controls for Sleek and Easy to Clean Design
- 2-in-1 Design Oven and Traditional Microwave

### Performance

- 14 Specialized Cooking Modes - Gourmet Cooking Made Easy
- Fast Preheat Reduces Preheat Time to around 7 Minutes
- Genuine European Convection With ACS
- Speed Convection Saves up to 30% Time
- Custom Cooking Modes: Pizza, Pie, Warm and Proof
- Meat Probe Takes Guesswork out of Cooking
- Recipe Mode Provides 30 Pre-Programmed Auto Settings

### Efficiency

- EcoClean™ 2-Hour Self-Clean Cycle

### Convenience

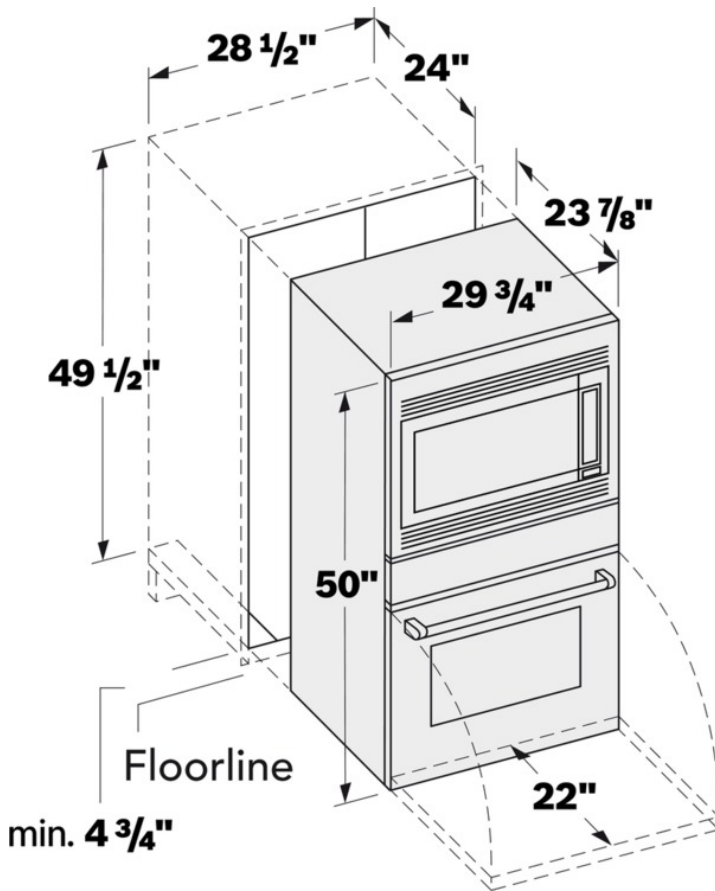
- Amber Colored Full Text Display
- Timer with Cook Time and Delay Start Function

Notes: All height, width and depth dimensions are shown in inches. \*Please refer to installation instructions prior to making cutout. BSH reserves the absolute and unrestricted right to change product materials and specifications, at any time, without notice. Consult the product's installation instructions for final dimensional data and other details. Applicable product warranty can be found in a accompanying product literature or you may contact your account manager for further details.

For more information on our entire line of products, go to [boschappliances.com](http://boschappliances.com) or call 1-800-944-2904.  
Copyright ©2013 BSH Home Appliances Corporation. All rights reserved. Bosch is a registered trademark of Robert Bosch GmbH.

Litho Date: 04/2013

30" Combination Wall Oven  
500 Series - Stainless Steel  
HBL5750UC



**Features**

Cooking method first cavity	Microwave
Cooking method second cavity	Bake, Broil, Convection Bake, Convection Broil, Convection Roast, Dehydrate, Intensive Convection (cavity 2), Pizza, Proof, Speed Convection, Top heating, 1/3 bottom heat., True Convection, Warm
Cleaning system - cavity 1	Self Clean
Number of interior lights	1
Electronic timer	
Included accessories	3 x Oven racks /lower, 1 x Broiler pan /lower, 1 x Temperature probe /lower
Bake Element Wattages cavity 1 (W)	
Broil Element Wattages cavity 1 (W)	
Convection Element Wattages cavity 1 (W)	
Microwave Wattages (W)	1200

**Technical Specification**

UPC code	825225840312
Product color	Stainless steel
Alternative colors available	HBL5720UC, HBL5760UC
Energy source	Electric
Watts (W)	10200
Current (A)	50
Volts (V)	240/208
Frequency (Hz)	60
Approval certificates	CSA
Power cord length (in)	50
Plug type	Fixed connection, No plug
Required cutout size (HxWxD) (in)	49 1/2" x 28 1/2" x 24"
Overall appliance dimensions (HxWxD) (in)	50" x 29 3/4" x 23 7/8"
Product packaging dimensions (HxWxD) (in)	56 3/4" x 34" x 31"
Net weight (lbs)	250
Gross weight (lbs)	287

Notes: All height, width and depth dimensions are shown in inches. \*Please refer to installation instructions prior to making cutout. BSH reserves the absolute and unrestricted right to change product materials and specifications, at any time, without notice. Consult the product's installation instructions for final dimensional data and other details. Applicable product warranty can be found in a accompanying product literature or you may contact your account manager for further details.

For more information on our entire line of products, go to [boschappliances.com](http://boschappliances.com) or call 1-800-944-2904.  
Copyright ©2013 BSH Home Appliances Corporation. All rights reserved. Bosch is a registered trademark of Robert Bosch GmbH.

Litho Date: 04/2013