

30" Speed Combination Oven

800 Series - Stainless Steel HBL8751UC



HBL8751UC
Stainless Steel

The Bosch speed microwave combination oven features a wall oven with a SmoothClose door.

Features & Benefits

Cooks Faster than a traditional oven and can be used as a microwave.

Dampened hinges softly and quietly guide the SmoothClose door shut.

A full-extension telescopic rack offers safe access to the oven cavity.

Touch control with SteelTouch™ buttons makes operating the oven easier.

The wall oven is designed to be installed flush with cabinetry.



*Wall oven only

General Properties

Cooking Modes - Upper Cavity	Microwave: 12 Automatic Programs (including defrost, melt/ soften, pizza), 7 Sensor Cook Programs, Microwave Microwave/Oven: 9 AutoChef™ Speed Programs Oven: Variable Broil, Genuine European Convection, Keep Warm, Frozen Foods
Cooking Modes - Lower Cavity	Bake, Variable Broil (hi & low), Roast, Warm, Sabbath, Proof Dough, Convection Bake, Convection Broil, Convection Roast, Pizza, Multi Rack Genuine European Convection, Convection Conversion, Temperature Probe, Fast Preheat
Cleaning Type - Upper Cavity	N/A
Cleaning Type - Lower Cavity	Self Clean
Telescopic Rack	1
Illumination Type - Upper Cavity	Incandescent
Illumination Type - Lower Cavity	Incandescent
Interior Lights - Upper Cavity	1
Interior Lights - Lower Cavity	2

Oven Performance

Microwave Power - Upper Cavity	1000 W
Bake / Broil Element Wattages - Upper Cavity	600 / 1,750 W
Convection Element Wattages - Upper Cavity	1,700 W
Bake / Broil Element Wattages - Lower Cavity	2,400 / 3,800 W
Convection Element Wattages - Lower Cavity	2,000 W

Technical Details

Watts (W)	9,725 W
Circuit Breaker (A)	40 A
Volts (V)	240/208 V
Frequency (Hz)	60 Hz
Power Cord Length (in)	50"
Plug Type	Fixed Connection, No Plug
Energy Source	Electric

Dimensions & Weight

Overall Appliance Dimensions (HxWxD) (in)	49" x 29 3/4" x 23 1/2"
Required Cutout Size (HxWxD) (in)	48 5/8" x 28 1/2" x 23 1/2"
Net Weight (lbs)	259 lbs

Accessories—Included

Included	Upper Oven: Metal Turntable, Square rack, Ceramic Cooking Tray Lower Oven: 3 x Oven Racks, Meat Probe
----------	---

Accessories—Optional



HEZTR301
30" Telescopic Rack

For help and assistance with Bosch accessories please call 1-800-944-2904 Mon-Fri 8am to 6pm EST

Notes: All height, width and depth dimensions are shown in inches. Please refer to installation instructions prior to making cutout. BSH reserves the absolute and unrestricted right to change product materials and specifications, at any time, without notice. Consult the product's installation instructions for final dimensional data and other details. Applicable product warranty can be found in accompanying product literature or you may contact your account manager for further details.

Warranties: Bosch warrants that the Product is free from defects in materials and workmanship for a period of three hundred and sixty-five (365) days from the date of purchase. The foregoing timeline begins to run upon the date of purchase, and shall not be stalled, tolled, extended, or suspended, for any reason whatsoever. This Product is also warranted to be free from cosmetic defects in material and workmanship (such as scratches of stainless steel, paint/porcelain blemishes, chip, dents, or other damage to the finish of the Product) for a period of thirty (30) days from the date of purchase or closing date for new construction. This cosmetic warranty excludes slight colour variations due to inherent differences in painted and porcelain parts, as well as differences caused by kitchen lighting, product location, or other similar factors. This cosmetic warranty specifically excludes any display, floor, "As Is", or "B" stock appliances.

For more information on our entire line of products, go to www.bosch-home.ca or call 1-800-944-2904

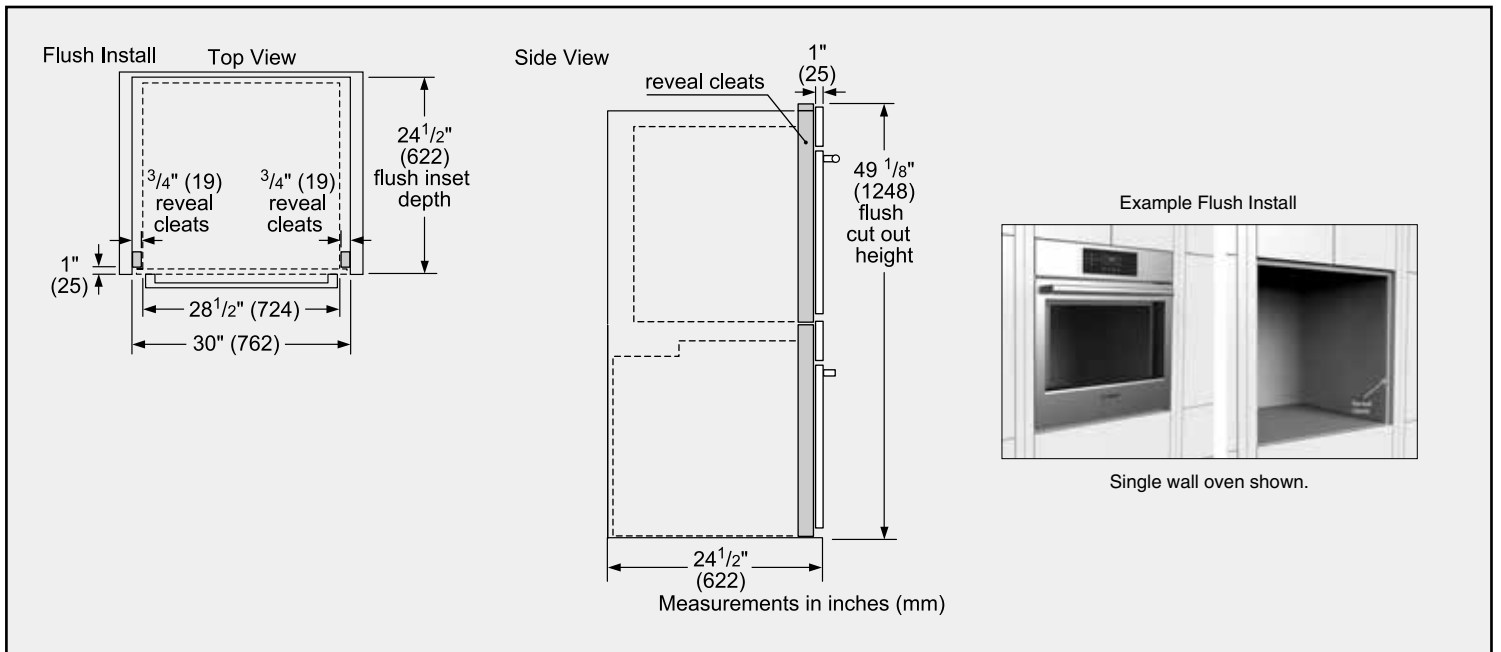
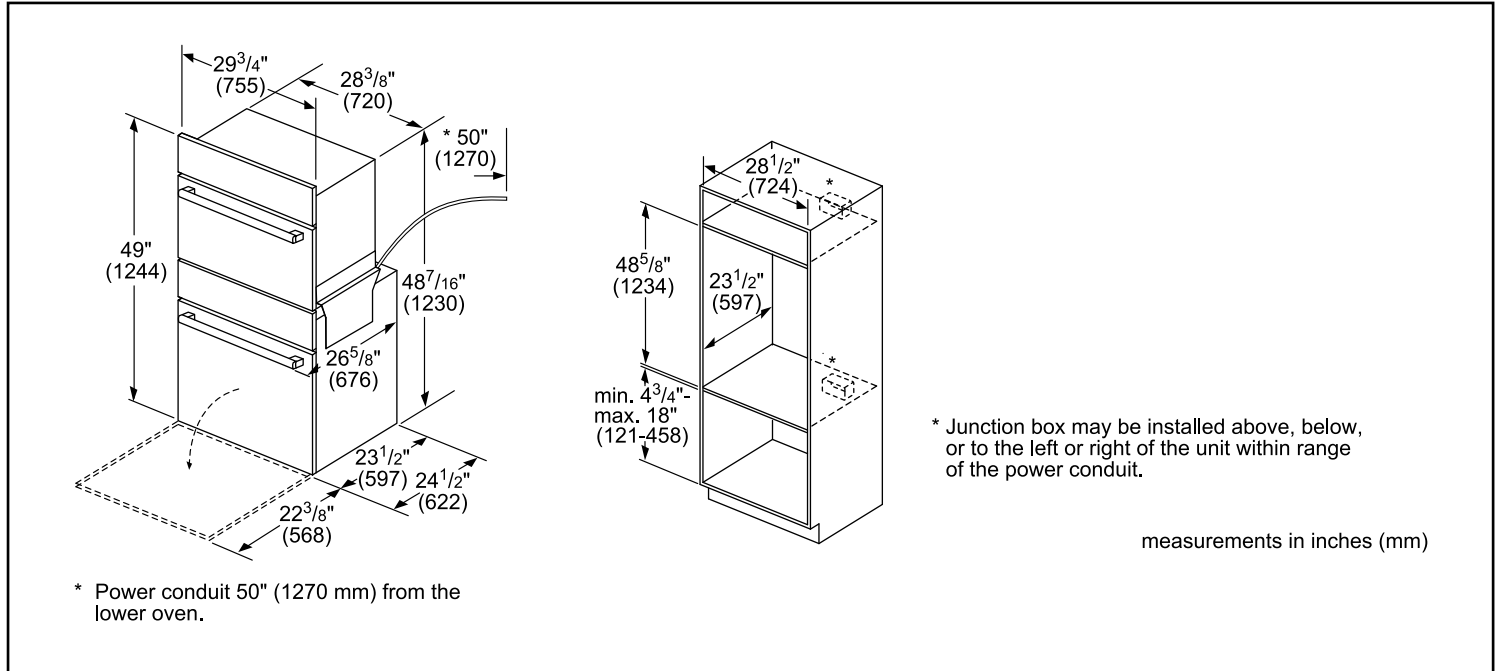
© 2014 BSH Home Appliances Canada. All rights reserved. Bosch is a registered trademark of Robert Bosch GmbH.

30" Speed Combination Oven

800 Series - Stainless Steel HBL8751UC



Installation Details



For help and assistance with Bosch accessories please call 1-800-944-2904 Mon-Fri 8am to 6pm EST

Notes: All height, width and depth dimensions are shown in inches. Please refer to installation instructions prior to making cutout. BSH reserves the absolute and unrestricted right to change product materials and specifications, at any time, without notice. Consult the product's installation instructions for final dimensional data and other details. Applicable product warranty can be found in accompanying product literature or you may contact your account manager for further details.

Warranties: Bosch warrants that the Product is free from defects in materials and workmanship for a period of three hundred and sixty-five (365) days from the date of purchase. The foregoing timeline begins to run upon the date of purchase, and shall not be stalled, tolled, extended, or suspended, for any reason whatsoever. This Product is also warranted to be free from cosmetic defects in material and workmanship (such as scratches of stainless steel, paint/porcelain blemishes, chip, dents, or other damage to the finish of the Product) for a period of thirty (30) days from the date of purchase or closing date for new construction. This cosmetic warranty excludes slight colour variations due to inherent differences in painted and porcelain parts, as well as differences caused by kitchen lighting, product location, or other similar factors. This cosmetic warranty specifically excludes any display, floor, "As Is", or "B" stock appliances.

For more information on our entire line of products, go to www.bosch-home.ca or call 1-800-944-2904

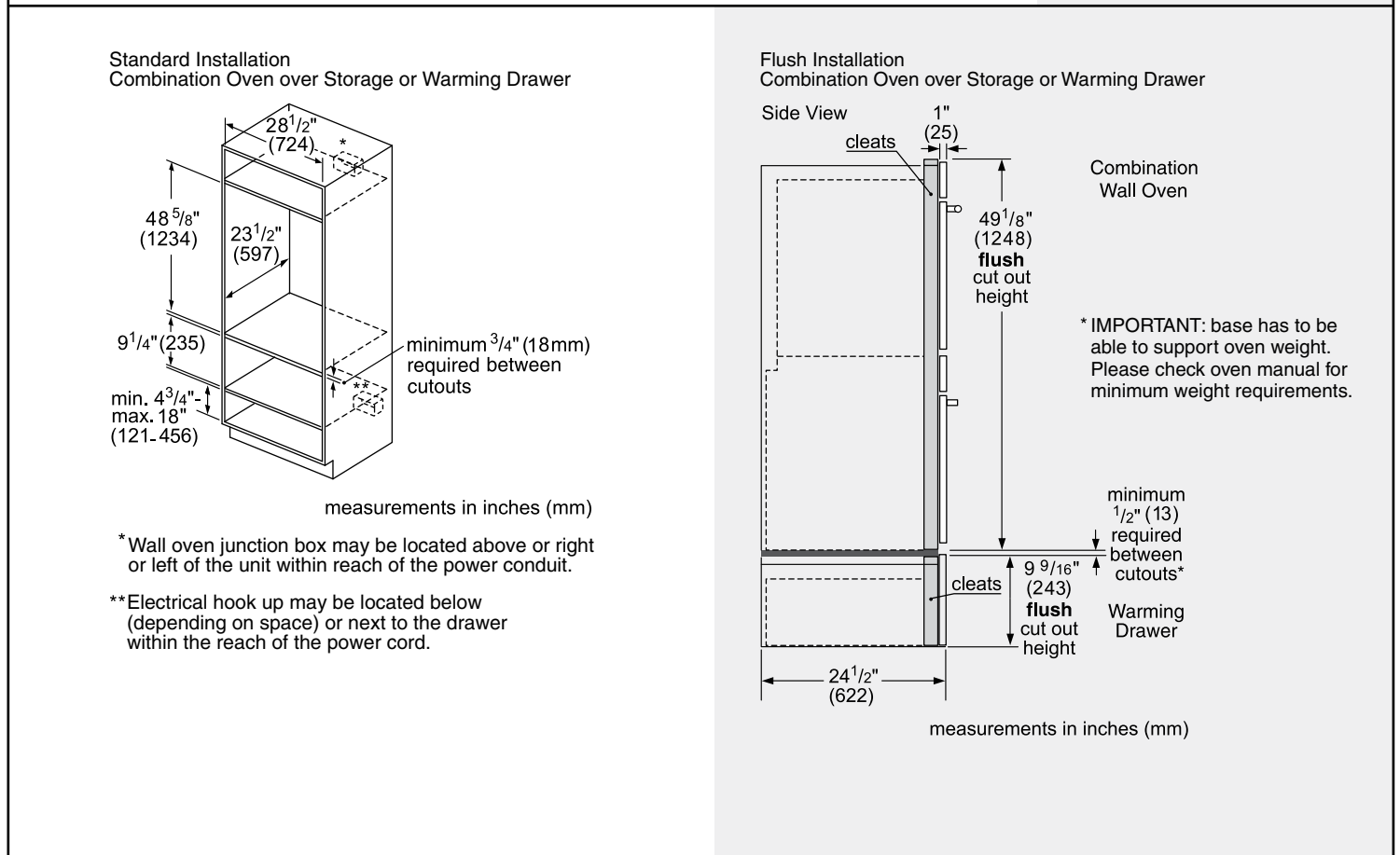
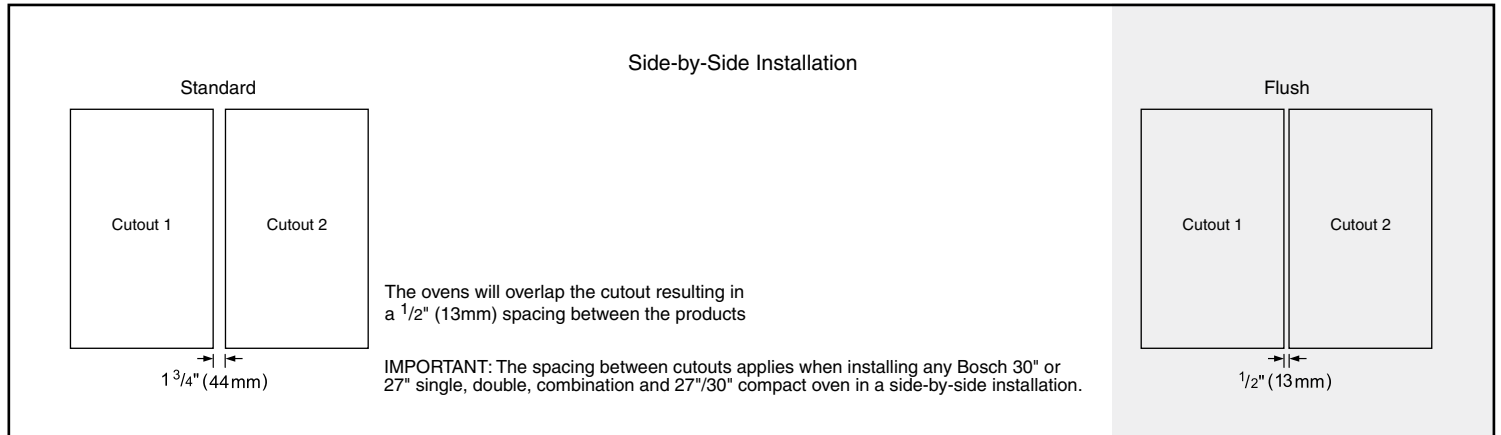
© 2014 BSH Home Appliances Canada. All rights reserved. Bosch is a registered trademark of Robert Bosch GmbH.

30" Speed Combination Oven

800 Series - Stainless Steel HBL8751UC



Installation Details



For help and assistance with Bosch accessories please call 1-800-944-2904 Mon-Fri 8am to 6pm EST

Notes: All height, width and depth dimensions are shown in inches. Please refer to installation instructions prior to making cutout. BSH reserves the absolute and unrestricted right to change product materials and specifications, at any time, without notice. Consult the product's installation instructions for final dimensional data and other details. Applicable product warranty can be found in accompanying product literature or you may contact your account manager for further details.

Warranties: Bosch warrants that the Product is free from defects in materials and workmanship for a period of three hundred and sixty-five (365) days from the date of purchase. The foregoing timeline begins to run upon the date of purchase, and shall not be stalled, tolled, extended, or suspended, for any reason whatsoever. This Product is also warranted to be free from cosmetic defects in material and workmanship (such as scratches of stainless steel, paint/porcelain blemishes, chip, dents, or other damage to the finish of the Product) for a period of thirty (30) days from the date of purchase or closing date for new construction. This cosmetic warranty excludes slight colour variations due to inherent differences in painted and porcelain parts, as well as differences caused by kitchen lighting, product location, or other similar factors. This cosmetic warranty specifically excludes any display, floor, "As Is", or "B" stock appliances.

For more information on our entire line of products, go to www.bosch-home.ca or call 1-800-944-2904

© 2014 BSH Home Appliances Canada. All rights reserved. Bosch is a registered trademark of Robert Bosch GmbH.