

30" Speed Combination Oven

800 Series – Stainless Steel HBL8752UC



BOSCH
Invented for life



HBL8752UC
Stainless Steel

The Bosch speed combination oven allows for faster cooking results and features a QuietClose® door.

Features & Benefits

Cooks faster than a traditional oven and can be used as a microwave.

Dampened hinges softly and quietly guide the QuietClose® door shut.

A full-extension telescopic rack offers safe access to the oven cavity.

The wall oven is designed to be installed flush with cabinetry.

General Properties

Cooking modes – upper cavity Speed oven; 12 Auto Programs (including Auto Defrost, Melt Butter, Soften Ice Cream, Pizza), 9 Sensor Cook Programs, 9 SpeedChef™ Programs, Hi & Lo Broil, European Convection, Keep Warm, Frozen Foods

Cooking modes – lower cavity Bake, Variable Broil (hi & low), Roast, Warm, Sabbath, Proof Dough, Convection Bake, Convection Broil, Convection Roast, Pizza, Multi Rack Genuine European Convection, Convection Conversion, Temperature Probe, Fast Preheat

| | |
|-----------------------|---------------------------|
| Cleaning type – lower | Self Clean |
| Telescopic rack | 1 |
| Illumination type | Halogen (Upper and Lower) |
| Interior lights | 1 Upper / 2 Lower |

Oven Performance

| | |
|--|-----------------|
| Microwave power – upper cavity | 1000 W |
| Bake / broil element wattages – upper cavity | 600 / 1,750 W |
| Convection element wattages – upper cavity | 1,700 W |
| Bake / broil element wattages – lower cavity | 2,400 / 3,800 W |
| Convection element wattages – lower cavity | 2,000 W |

Technical Details

| | |
|---------------------------|--------------------|
| Watts (W) | 9,600 W |
| Circuit breaker (A) | 40 A |
| Volts (V); Frequency (Hz) | 240 / 208 V; 60 Hz |
| Power cord length (in) | 50" |
| Plug type | Hardwired 240 V |
| Energy source | Electric |

Dimensions & Weight

| | |
|--|------------------------------|
| Overall appliance dimensions (HxWxD) (in) | 49" x 29 3/4" x 24 1/2" |
| Required cutout size – Standard (HxWxD) (in) | 48 5/8" x 28 1/2" x 23 1/2" |
| Required cutout size – Flush (HxWxD) (in) | 49 1/8" x 30" x 24 1/2" |
| Oven cavity size – upper | 1.6 cu. ft. |
| Overall upper oven interior dimensions (HxWxD) (in.) | 9 7/8" x 16 1/2" x 16 1/2" |
| Turntable – Metal Max. Cookware – upper | 12 3/4" dia. |
| Turntable – Ceramic Max. Cookware – upper | 12 1/2" dia. |
| Rack – Rectangular Cookware Max. – upper | 15" x 12" |
| Oven cavity size – lower | 4.6 cu. ft. |
| Overall lower oven interior dimensions (HxWxD) (in) | 17 13/16" x 24 1/8" x 18" |
| Usable lower oven interior dimensions (HxWxD) (in) | 12 5/16" x 23 1/4" x 15 1/4" |
| Net weight (lbs) | 259 lbs |

Accessories—Included

Upper Oven: Metal Turntable, Square rack, Ceramic Cooking Tray
Lower Oven: 1 Telescopic and 2 Standard Oven Racks, Meat Probe

Accessories—Optional



HEZTR301
30" Telescopic Rack



*Wall oven only

For help and assistance with Bosch accessories please call 1-800-944-2904 Mon-Fri 8am to 6pm EST

Notes: All height, width and depth dimensions are shown in inches. BSH reserves the absolute and unrestricted right to change product materials and specifications, at any time, without notice. Consult the product's installation instructions for final dimensional data and other details prior to making cutout. Applicable product warranty can be found in accompanying product literature or you may contact your account manager for further details.

Warranties: Bosch warrants that the Product is free from defects in materials and workmanship for a period of three hundred and sixty-five (365) days from the date of purchase. The foregoing timeline begins to run upon the date of purchase, and shall not be stalled, tolled, extended, or suspended, for any reason whatsoever. This Product is also warranted to be free from cosmetic defects in material and workmanship (such as scratches of stainless steel, paint/porcelain blemishes, chip, dents, or other damage) to the finish of the Product, for a period of thirty (30) days from the date of purchase or closing date for new construction. This cosmetic warranty excludes slight color variations due to inherent differences in painted and porcelain parts, as well as differences caused by kitchen lighting, product location, or other similar factors. This cosmetic warranty specifically excludes any display, floor, "As Is", or "B" stock appliances.

For more information on our entire line of products, go to www.bosch-home.ca or call 1-800-944-2904

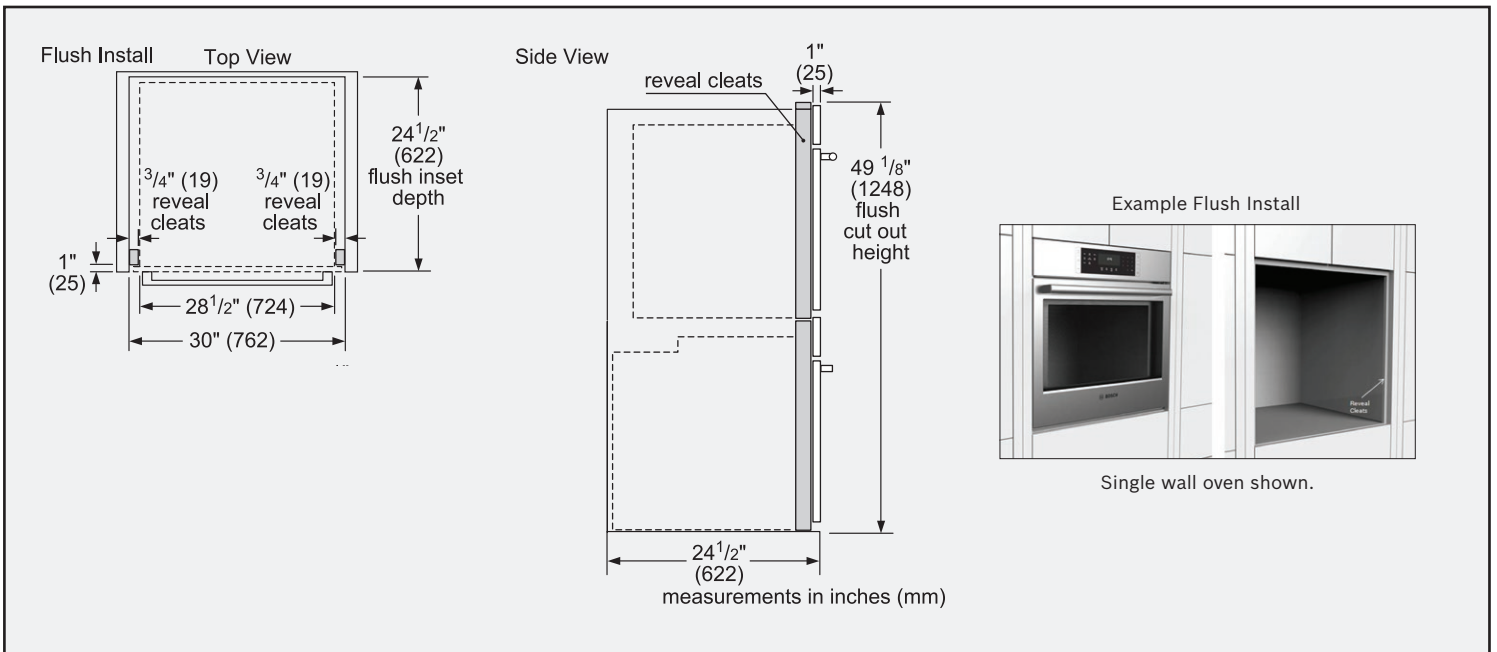
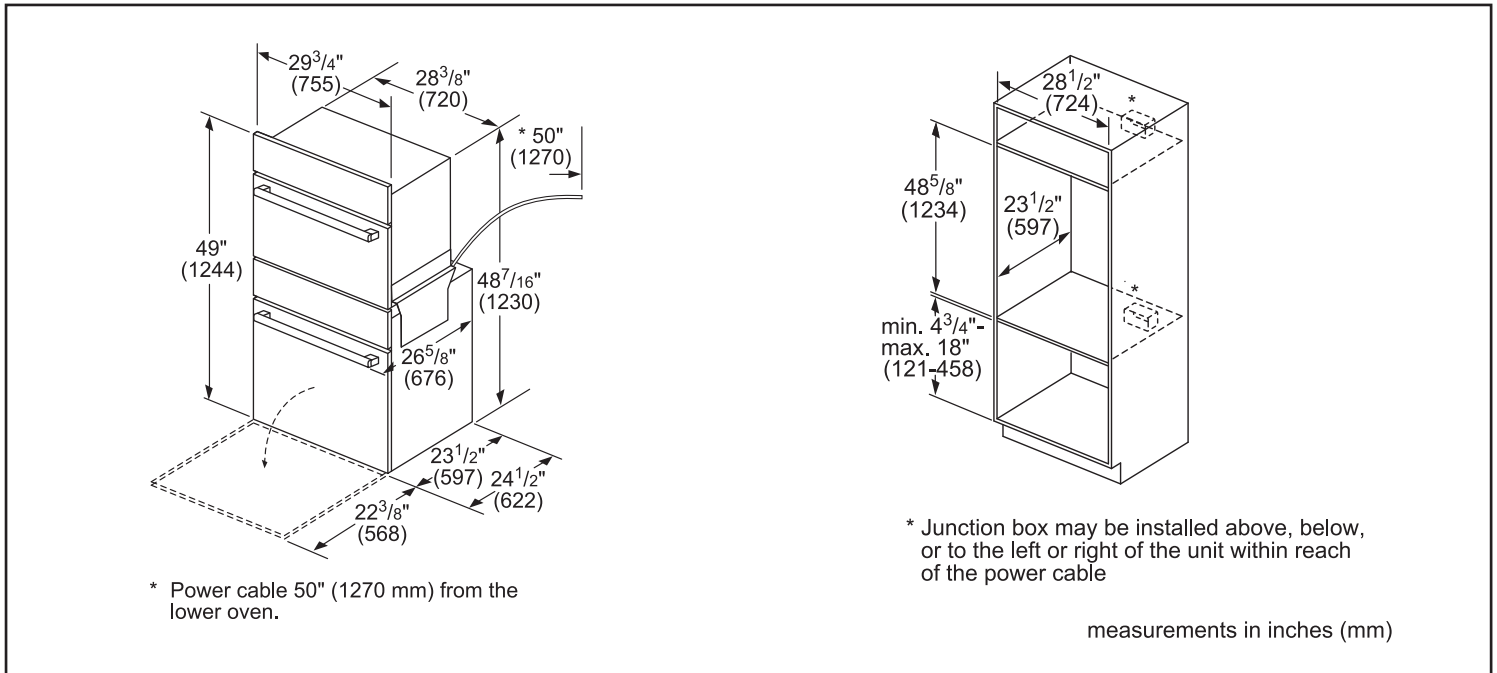
© BSH Home Appliances Limited. All rights reserved. Bosch is a registered trademark of Robert Bosch GmbH.

30" Speed Combination Oven

800 Series – Stainless Steel HBL8752UC



Installation Details



For help and assistance with Bosch accessories please call 1-800-944-2904 Mon-Fri 8am to 6pm EST

Notes: All height, width and depth dimensions are shown in inches. BSH reserves the absolute and unrestricted right to change product materials and specifications, at any time, without notice. Consult the product's installation instructions for final dimensional data and other details prior to making cutout. Applicable product warranty can be found in accompanying product literature or you may contact your account manager for further details.

Warranties: Bosch warrants that the Product is free from defects in materials and workmanship for a period of three hundred and sixty-five (365) days from the date of purchase. The foregoing timeline begins to run upon the date of purchase, and shall not be stalled, tolled, extended, or suspended, for any reason whatsoever. This Product is also warranted to be free from cosmetic defects in material and workmanship (such as scratches of stainless steel, paint/porcelain blemishes, chip, dents, or other damage) to the finish of the Product, for a period of thirty (30) days from the date of purchase or closing date for new construction. This cosmetic warranty excludes slight color variations due to inherent differences in painted and porcelain parts, as well as differences caused by kitchen lighting, product location, or other similar factors. This cosmetic warranty specifically excludes any display, floor, "As Is", or "B" stock appliances.

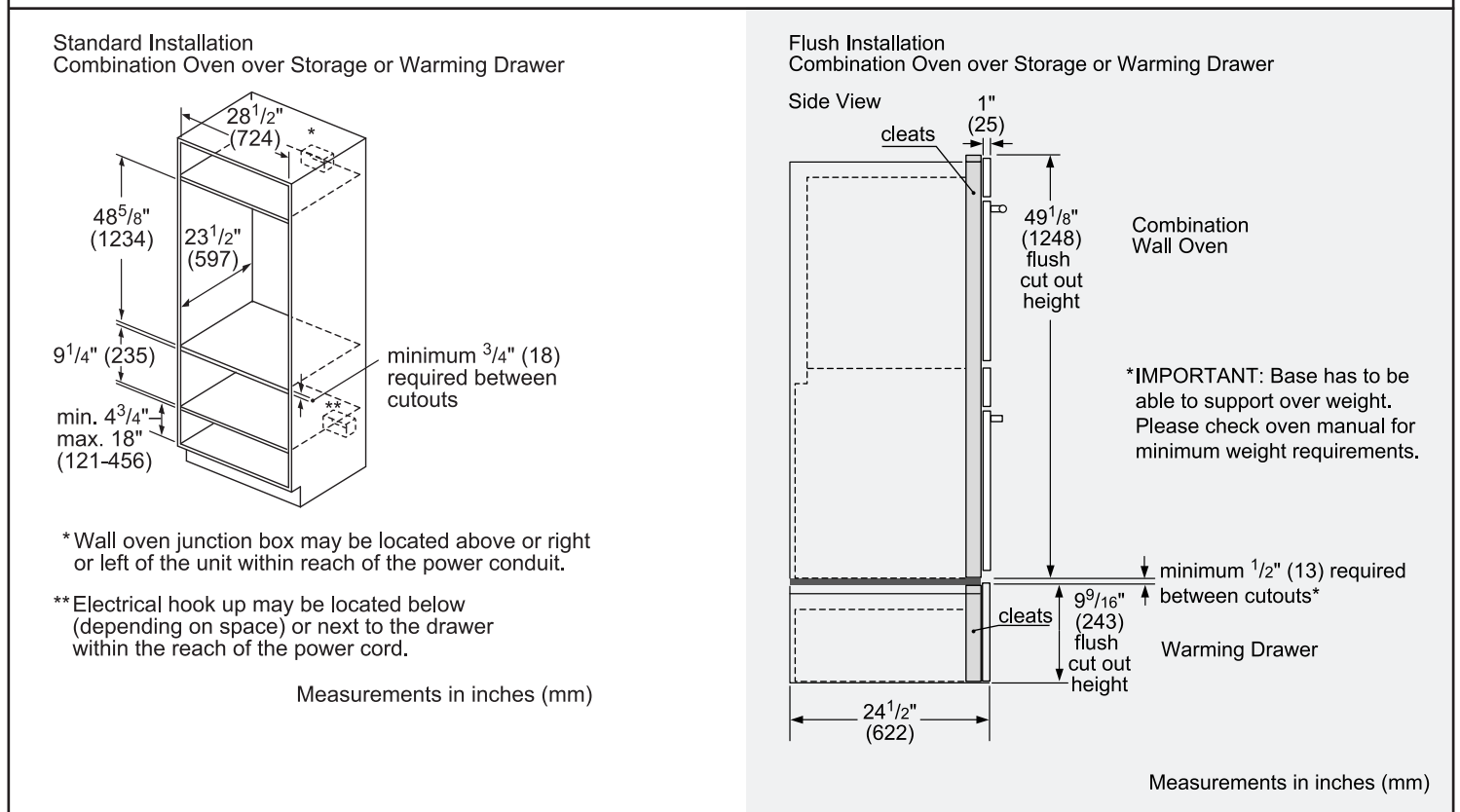
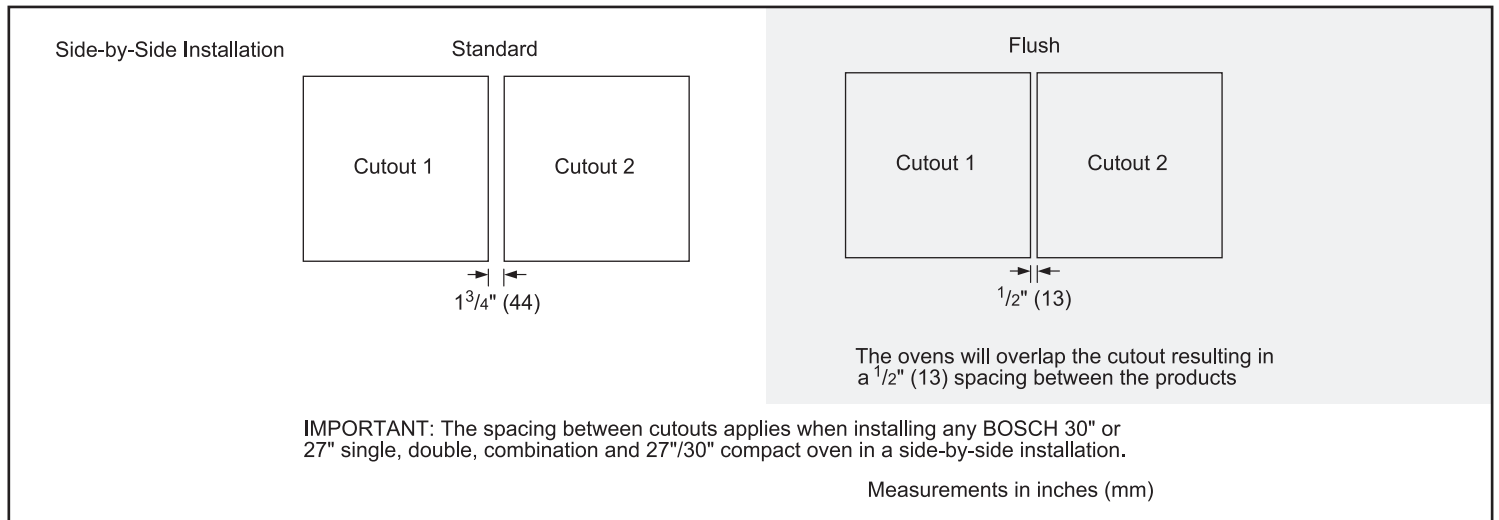
For more information on our entire line of products, go to www.bosch-home.com/us or call 1-800-944-2904

30" Speed Combination Oven

800 Series – Stainless Steel HBL8752UC



Installation Details



For help and assistance with Bosch accessories please call 1-800-944-2904 Mon-Fri 8am to 6pm EST

Notes: All height, width and depth dimensions are shown in inches. BSH reserves the absolute and unrestricted right to change product materials and specifications, at any time, without notice. Consult the product's installation instructions for final dimensional data and other details prior to making cutout. Applicable product warranty can be found in accompanying product literature or you may contact your account manager for further details.

Warranties: Bosch warrants that the Product is free from defects in materials and workmanship for a period of three hundred and sixty-five (365) days from the date of purchase. The foregoing timeline begins to run upon the date of purchase, and shall not be stalled, tolled, extended, or suspended, for any reason whatsoever. This Product is also warranted to be free from cosmetic defects in material and workmanship (such as scratches of stainless steel, paint/porcelain blemishes, chip, dents, or other damage) to the finish of the Product, for a period of thirty (30) days from the date of purchase or closing date for new construction. This cosmetic warranty excludes slight color variations due to inherent differences in painted and porcelain parts, as well as differences caused by kitchen lighting, product location, or other similar factors. This cosmetic warranty specifically excludes any display, floor, "As Is", or "B" stock appliances.

For more information on our entire line of products, go to www.bosch-home.ca or call 1-800-944-2904

© BSH Home Appliances Limited. All rights reserved. Bosch is a registered trademark of Robert Bosch GmbH.