

27" Warming Drawer

500 Series - Stainless Steel

HWD2750UC



Features and Benefits

Key Features

- Built-in Warming Drawer Design-matched for Use in Combination with Bosch Wall Oven
- Moisture Selector to Adjust Humidity Level Inside the Drawer (e.g. "Moist" to Keep Warm a Roast)
- ClearTouch® Glass Control

Design

- Amber Colored Display
- Flush-to-Cabinet Design
- ClearTouch® Glass Control

Performance

- 450 Watt Heating Element Concealed Below Drawer
- Three Temperature Levels
- Special Dough Proofing Mode

Convenience

- Sturdy Ball Bearing Telescopic Rails for Smooth Opening
- Moisture Selector to Adjust Humidity Level Inside the Drawer (e.g. "Moist" to Keep Warm a Roast)
- Star-K certified
- Automatic Shut-Off Function with Adjustable Timer

Capacity

- 1.8 Cu.Ft. Large Cavity
- Lower Side Walls Allow Easy Loading and Unloading of Drawer

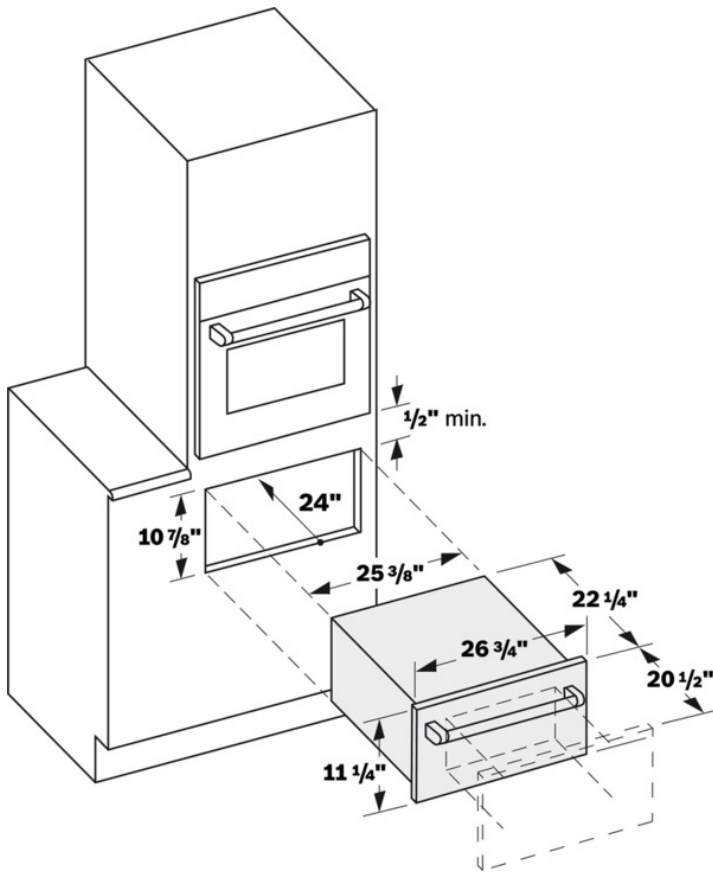
Notes: All height, width and depth dimensions are shown in inches. *Please refer to installation instructions prior to making cutout. BSH reserves the absolute and unrestricted right to change product materials and specifications, at any time, without notice. Consult the product's installation instructions for final dimensional data and other details. Applicable product warranty can be found in a accompanying product literature or you may contact your account manager for further details.

For more information on our entire line of products, go to boschappliances.com or call 1-800-944-2904.
Copyright ©2013 BSH Home Appliances Corporation. All rights reserved. Bosch is a registered trademark of Robert Bosch GmbH.

Litho Date: 04/2013



27" Warming Drawer 500 Series - Stainless Steel HWD2750UC



Features

Power output heating	
Power Level	high, low, medium
Type of control	illuminated, TouchControl Basic
Temperature control	electronic
Time control	electronic

Technical Specification

UPC code	825225850601
Product color	Stainless steel
Alternative colors available	
Watts (W)	
Current (A)	15
Volts (V)	120
Frequency (Hz)	60
Approval certificates	UL
Power cord length (in)	84"
Plug type	120V-3 prong
Required cutout size (HxWxD) (in)	11" x 25 1/2" x 24"
Overall appliance dimensions (HxWxD) (in)	11 1/4" x 26 3/4" x 22 1/4"
Product packaging dimensions (HxWxD) (in)	16 7/8" x 31" x 35 3/4"
Net weight (lbs)	64
Gross weight (lbs)	72

Notes: All height, width and depth dimensions are shown in inches. *Please refer to installation instructions prior to making cutout. BSH reserves the absolute and unrestricted right to change product materials and specifications, at any time, without notice. Consult the product's installation instructions for final dimensional data and other details. Applicable product warranty can be found in a accompanying product literature or you may contact your account manager for further details.

For more information on our entire line of products, go to boschappliances.com or call 1-800-944-2904.
Copyright ©2013 BSH Home Appliances Corporation. All rights reserved. Bosch is a registered trademark of Robert Bosch GmbH.

Litho Date: 04/2013

