

# 30" Warming Drawer

## 500 Series - Stainless Steel

### HWD3050UC



#### Features and Benefits

##### Key Features

- Built-in Warming Drawer Design-matched for Use in Combination with Bosch Wall Oven
- Moisture Selector to Adjust Humidity Level Inside the Drawer (e.g. "Moist" to Keep Warm a Roast)
- ClearTouch® Glass Control

##### Design

- Amber Colored Display
- Flush-to-Cabinet Design
- ClearTouch® Glass Control

##### Performance

- 450 Watt Heating Element Concealed Below Drawer
- Three Temperature Levels
- Special Dough Proofing Mode

##### Convenience

- Sturdy Ball Bearing Telescopic Rails for Smooth Opening
- Moisture Selector to Adjust Humidity Level Inside the Drawer (e.g. "Moist" to Keep Warm a Roast)
- Star-K certified
- Automatic Shut-Off Function with Adjustable Timer

##### Capacity

- 2 Cu.Ft. Large Cavity
- Lower Side Walls Allow Easy Loading and Unloading of Drawer

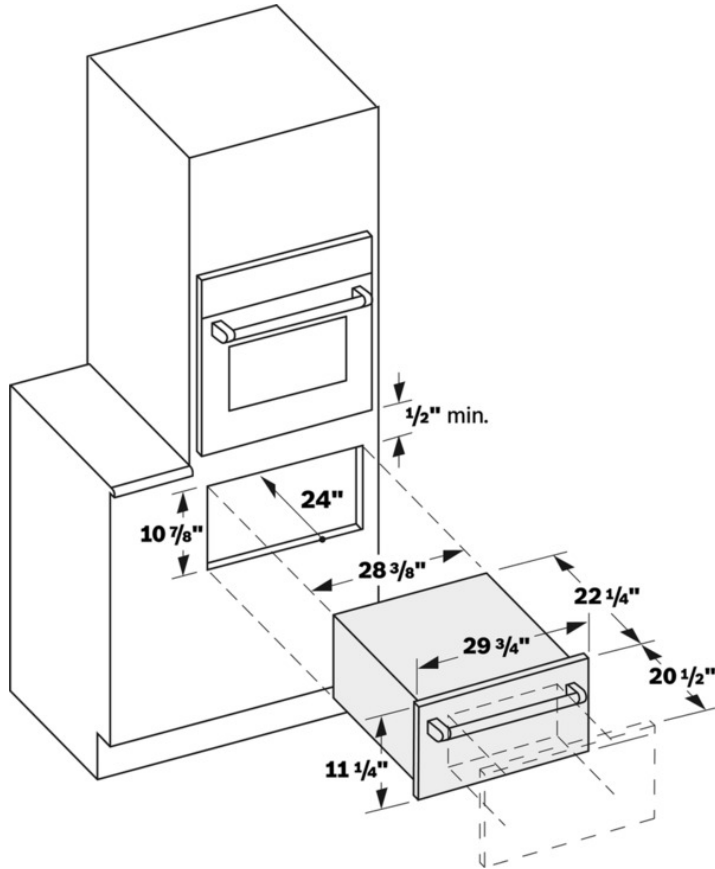
Notes: All height, width and depth dimensions are shown in inches. \*Please refer to installation instructions prior to making cutout. BSH reserves the absolute and unrestricted right to change product materials and specifications, at any time, without notice. Consult the product's installation instructions for final dimensional data and other details. Applicable product warranty can be found in a accompanying product literature or you may contact your account manager for further details.

For more information on our entire line of products, go to [boschappliances.com](http://boschappliances.com) or call 1-800-944-2904.  
Copyright ©2013 BSH Home Appliances Corporation. All rights reserved. Bosch is a registered trademark of Robert Bosch GmbH.

Litho Date: 04/2013



30" Warming Drawer  
500 Series - Stainless Steel  
HWD3050UC



**Features**

|                      |                                    |
|----------------------|------------------------------------|
| Power output heating | 0.450                              |
| Power Level          | high, low, medium                  |
| Type of control      | illuminated, TouchControl<br>Basic |
| Temperature control  | electronic                         |
| Time control         | electronic                         |

**Technical Specification**

|   |                             |
|---|-----------------------------|
| UPC code                                  | 825225851356                |
| Product color                             | Stainless steel             |
| Alternative colors available              | HWD3020UC,<br>HWD3060UC     |
| Watts (W)                                 | 450                         |
| Current (A)                               | 15                          |
| Volts (V)                                 | 120                         |
| Frequency (Hz)                            | 60                          |
| Approval certificates                     | UL                          |
| Power cord length (in)                    | 84"                         |
| Plug type                                 | 120V-3 prong                |
| Required cutout size (HxWxD) (in)         | 11" x 28 1/2" x 24"         |
| Overall appliance dimensions (HxWxD) (in) | 11 1/4" x 29 3/4" x 22 1/4" |
| Product packaging dimensions (HxWxD) (in) | 16 7/8" x 31" x 35 3/4"     |
| Net weight (lbs)                          | 63                          |
| Gross weight (lbs)                        | 72                          |

Notes: All height, width and depth dimensions are shown in inches. \*Please refer to installation instructions prior to making cutout. BSH reserves the absolute and unrestricted right to change product materials and specifications, at any time, without notice. Consult the product's installation instructions for final dimensional data and other details. Applicable product warranty can be found in a accompanying product literature or you may contact your account manager for further details.

For more information on our entire line of products, go to [boschappliances.com](http://boschappliances.com) or call 1-800-944-2904.  
Copyright ©2013 BSH Home Appliances Corporation. All rights reserved. Bosch is a registered trademark of Robert Bosch GmbH.

Litho Date: 04/2013

