

30" Double Wall Oven Right Swing Door

Benchmark™ Series – Stainless Steel HBLP651RUC



HBLP651RUC
Stainless Steel

The Bosch wall oven features a SideOpening door for easier cavity access and a high-resolution TFT user interface

Features & Benefits

SideOpening door offers better ergonomic access to the oven cavity.

The colour TFT control panel with SteelTouch™ buttons is easy to use.

A full-extension telescopic rack offers safe access to the oven cavity.

The wall oven is designed to be installed flush with cabinetry.

Bosch wall ovens are compatible with most competitors' cutouts.

General Properties

Cooking Modes - upper cavity	Bake, Variable Broil (hi & low), Roast, Warm, Sabbath, Proof Dough, Convection Bake, Convection Broil, Convection Roast, Pizza, Multi Rack Genuine European Convection, Convection Conversion, AutoProbe, Fast Preheat, EcoChef, Speed Convection (Frozen Foods)
Cooking Modes - lower cavity	Identical to Upper Cavity (Exception: Lower Cavity Does not Feature Temperature Probe and EcoChef)
Cleaning Type - upper cavity	Self-Clean
Cleaning Type - lower cavity	Self-Clean
Telescopic Rack	1
Illumination Type - upper cavity	Halogen
Illumination Type - lower cavity	Halogen
Interior Lights - upper cavity	2
Interior Lights - lower cavity	2



Oven Performance

Bake Element Wattages - upper cavity	2,400 W
Broil Element Wattages - upper cavity	3,800 W
Convection Element Wattages - upper cavity	2,000 W
Bake Element Wattages - lower cavity	2,400 W
Broil Element Wattages - lower cavity	3,800 W
Convection Element Wattages - lower cavity	2,000 W

Technical Details

Watts (W)	9,125 W
Circuit Breaker (A)	40 A
Volts (V)	240/208 V
Frequency (Hz)	60 Hz
Power Cord Length (in)	50"
Plug Type	Fixed Connection, No Plug
Energy Source	Electric

Dimensions & Weight

Overall Appliance Dimensions (HxWxD) (in)	52 1/16" x 29 3/4" x 23 1/2"
Required Cutout Size (HxWxD) (in)	49 3/4" - 51 1/2" x 28 1/2" x 23 1/2"
Net Weight (lbs)	261 lbs

Accessories—Included

Included	Upper Oven: 3 x Oven Racks, Temperature Probe, Broiler Pan Lower Oven: 3 x Oven Racks
----------	--

Accessories—Optional



HEZTR301
30" Telescopic Rack

For help and assistance with Bosch accessories please call 1-800-944-2904 Mon-Fri 8am to 6pm EST

Notes: All height, width and depth dimensions are shown in inches. Please refer to installation instructions prior to making cutout. BSH reserves the absolute and unrestricted right to change product materials and specifications, at any time, without notice. Consult the product's installation instructions for final dimensional data and other details. Applicable product warranty can be found in accompanying product literature or you may contact your account manager for further details.

Warranties: Bosch warrants that the Product is free from defects in materials and workmanship for a period of three hundred and sixty-five (365) days from the date of purchase. The foregoing timeline begins to run upon the date of purchase, and shall not be stalled, tolled, extended, or suspended, for any reason whatsoever. This Product is also warranted to be free from cosmetic defects in material and workmanship (such as scratches of stainless steel, paint/porcelain blemishes, chip, dents, or other damage to the finish of the Product) for a period of thirty (30) days from the date of purchase or closing date for new construction. This cosmetic warranty excludes slight colour variations due to inherent differences in painted and porcelain parts, as well as differences caused by kitchen lighting, product location, or other similar factors. This cosmetic warranty specifically excludes any display, floor, "As Is", or "B" stock appliances.

For more information on our entire line of products, go to www.bosch-home.ca or call 1-800-944-2904

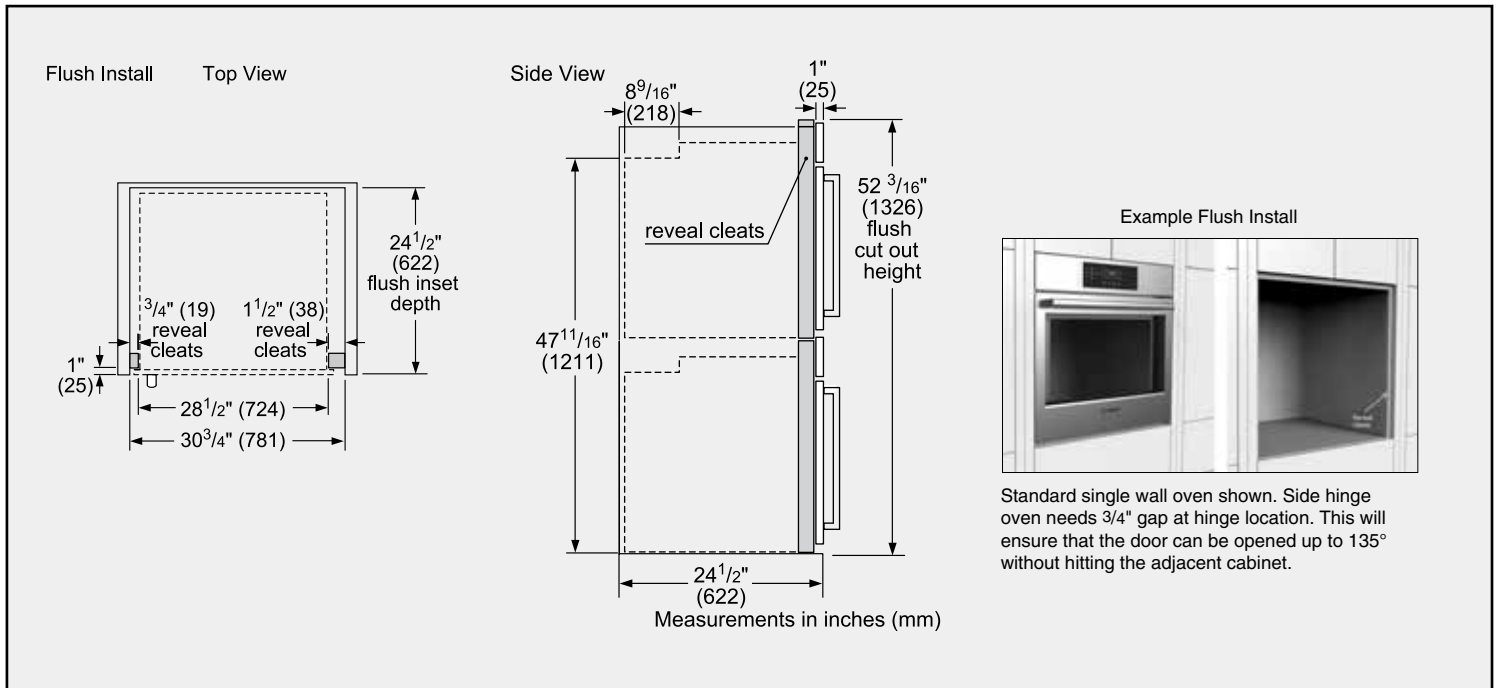
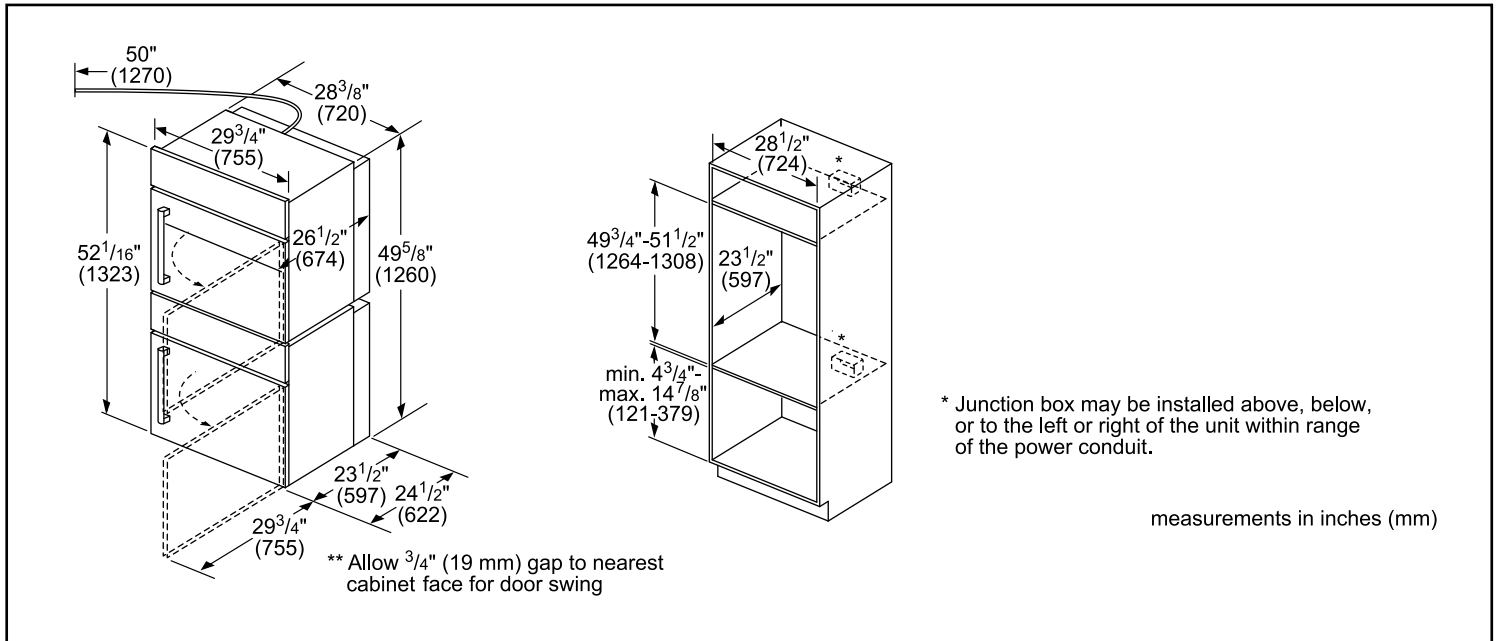
© 2014 BSH Home Appliances Canada. All rights reserved. Bosch is a registered trademark of Robert Bosch GmbH.

30" Double Wall Oven Right Swing Door

Benchmark™ Series – Stainless Steel HBLP651RUC



Installation Details



For help and assistance with Bosch accessories please call 1-800-944-2904 Mon-Fri 8am to 6pm EST

Notes: All height, width and depth dimensions are shown in inches. Please refer to installation instructions prior to making cutout. BSH reserves the absolute and unrestricted right to change product materials and specifications, at any time, without notice. Consult the product's installation instructions for final dimensional data and other details. Applicable product warranty can be found in accompanying product literature or you may contact your account manager for further details.

Warranties: Bosch warrants that the Product is free from defects in materials and workmanship for a period of three hundred and sixty-five (365) days from the date of purchase. The foregoing timeline begins to run upon the date of purchase, and shall not be stalled, tolled, extended, or suspended, for any reason whatsoever. This Product is also warranted to be free from cosmetic defects in material and workmanship (such as scratches of stainless steel, paint/porcelain blemishes, chip, dents, or other damage to the finish of the Product) for a period of thirty (30) days from the date of purchase or closing date for new construction. This cosmetic warranty excludes slight colour variations due to inherent differences in painted and porcelain parts, as well as differences caused by kitchen lighting, product location, or other similar factors. This cosmetic warranty specifically excludes any display, floor, "As Is", or "B" stock appliances.

For more information on our entire line of products, go to www.bosch-home.ca or call 1-800-944-2904

© 2014 BSH Home Appliances Canada. All rights reserved. Bosch is a registered trademark of Robert Bosch GmbH.

30" Double Wall Oven Right Swing Door

Benchmark™ Series – Stainless Steel HBLP651RUC



Installation Details

Standard

Cutout 1 Cutout 2

1 3/4" (44mm)

Side-by-Side Installation

The ovens will overlap the cutout resulting in a 1/2" (13mm) spacing between the products

IMPORTANT: The spacing between cutouts applies when installing any Bosch 30" or 27" single, double, combination and 27"/30" compact oven in a side-by-side installation.

If another product is installed adjacent to the side hinge we recommend to increase each distance by an additional 1/4" (6mm) to leave room for the door to open and close freely.

Flush

Cutout 1 Cutout 2

1/2" (13mm)

Standard Installation
30" Double Oven over Storage or Warming Drawer

28 1/2" (724) *

49 3/4" - 51 1/2" (1264-1308)

23 1/2" (597)

9 1/4" (235)

min. 4 3/4" (121) max. 18" (456)

minimum 3/4" (18mm) required between cutouts

measurements in inches (mm)

* Wall oven junction box may be located above or right or left of the unit within reach of the power conduit.

** Electrical hook up may be located below (depending on space) or next to the drawer within the reach of the power cord.

Flush Installation
Double Oven over Storage or Warming Drawer

Side View

1" (25)

cleats

52 3/16" (1326) flush cut out height

Double Wall Oven

*IMPORTANT: base has to be able to support oven weight. Please check oven manual for minimum weight requirements.

9 9/16" (243) flush cut out height

Warming Drawer

24 1/2" (622)

minimum 1/2" (13) required between cutouts*

measurements in inches (mm)

For help and assistance with Bosch accessories please call 1-800-944-2904 Mon-Fri 8am to 6pm EST

Notes: All height, width and depth dimensions are shown in inches. Please refer to installation instructions prior to making cutout. BSH reserves the absolute and unrestricted right to change product materials and specifications, at any time, without notice. Consult the product's installation instructions for final dimensional data and other details. Applicable product warranty can be found in accompanying product literature or you may contact your account manager for further details.

Warranties: Bosch warrants that the Product is free from defects in materials and workmanship for a period of three hundred and sixty-five (365) days from the date of purchase. The foregoing timeline begins to run upon the date of purchase, and shall not be stalled, tolled, extended, or suspended, for any reason whatsoever. This Product is also warranted to be free from cosmetic defects in material and workmanship (such as scratches of stainless steel, paint/porcelain blemishes, chip, dents, or other damage to the finish of the Product) for a period of thirty (30) days from the date of purchase or closing date for new construction. This cosmetic warranty excludes slight colour variations due to inherent differences in painted and porcelain parts, as well as differences caused by kitchen lighting, product location, or other similar factors. This cosmetic warranty specifically excludes any display, floor, "As Is", or "B" stock appliances.

For more information on our entire line of products, go to www.bosch-home.ca or call 1-800-944-2904

© 2014 BSH Home Appliances Canada. All rights reserved. Bosch is a registered trademark of Robert Bosch GmbH.