

## Double Oven

### 30" Double Wall Oven Right Swing Door Stainless Steel HBLP651RUC



### A Newly Designed and Engineered Bosch Wall Oven Features a SideOpening Door and High-Resolution TFT User Interface.

- Side-Opening Door Offers Better Ergonomic Access to the Oven Cavity.
- The Color TFT Control Panel with SteelTouch™ Buttons is Easy to Use.
- A Full-Extension Telescopic Rack Offers Safe Access to the Oven Cavity.
- The Wall Oven is Designed to be Installed Flush with your Cabinetry.
- Wall Ovens are Compatible with Most Competitors' Cut-Outs.

#### Technical Data

Cooking mode :	3rd element convection, Convection Bake, Convection Broil, Convection Roast, Conventional heat, Dough proving setting, Eco, Half width variable grill, Pizza setting, Special baking setting, Top heating, 1/3 bottom heat., warming
Cooking method second cavity :	3rd element convection, Convection Bake, Convection Broil, Convection Roast, Dough proving setting, Pizza setting, Special baking setting, Top/bottom heating, Top heating, 1/3 bottom heat., Variable small-area grill, Warming
Integrated Cleaning system :	No, Self Clean
Number of interior lights :	2
Included accessories :	3 x oven racks /upper, 3 x oven racks / lower, 1 x Broiler pan /upper, 1 x temperature probe /upper
Bake Element Wattages cavity 1 (W) :	2400
Broil Element Wattages cavity 1 (W) :	3800
Convection Element Wattages cavity 1 (W) :	2000
UPC code :	825225907008
Product color :	Stainless steel
Energy source :	Electric
Watts (W) :	9200
Current (A) :	40
Volts (V) :	240/208
Frequency (Hz) :	60
Approval certificates :	CSA
Power cord length (in) :	50"
Power cord length (cm) :	127
Appliance Dimensions (h x w x d) (cm) :	132.3 x 75.5 x 59.7
Required cutout size (HxWxD) (in) :	49 3/4" - 51 1/2" x 28 1/2" x 23 1/2"
Overall appliance dimensions (HxWxD) (in) :	52 1/16" x 29 3/4" x 23 1/2"
Overall appliance dimensions (HxWxD) (mm) :	1323 x 755 x 597
Product packaging dimensions (HxWxD) (in) :	53 7/8" x 34" x 31 1/2"
Net weight (lbs) :	294
Net weight (kg) :	133.0
Gross weight (lbs) :	328
Gross weight (kg) :	149.0

#### Included accessories

3 x oven racks /upper  
3 x oven racks /lower  
1 x Broiler pan /upper  
1 x temperature probe /upper

#### Optional accessories

HEZTR301 : Telescopic Oven Rack 30"

## Double Oven

### **30" Double Wall Oven Right Swing Door Stainless Steel HBLP651RUC**

#### **A Newly Designed and Engineered Bosch Wall Oven Features a SideOpening Door and High-Resolution TFT User Interface.**

---

##### **Design**

- Color TFT Touch Control with SteelTouch™ Buttons for Easier Operation of the Oven

##### **Performance**

- 14 Specialized Cooking Modes in Both Cavities - Gourmet Cooking Made Easy
- Custom Cooking Programs Both Cavities: No-Preheat Frozen Food Mode, Pizza, Pie, Warm and Proof
- Genuine European Convection in Both Cavities
- Temperature Conversion for Convection Cooking
- Fast Preheat Reduces Preheat Time

##### **Efficiency**

- EcoClean™ 2-Hour Self-Clean Cycle
- EcoChef Mode - Remaining Heat in Cavity Finishes Cooking Process

##### **Convenience**

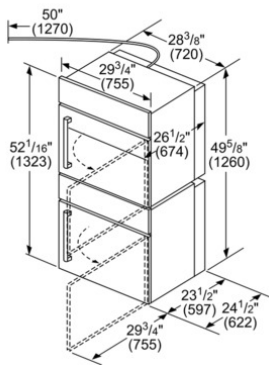
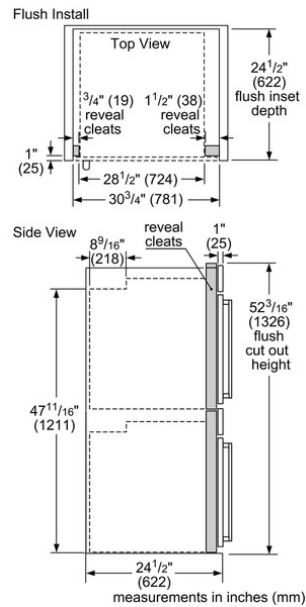
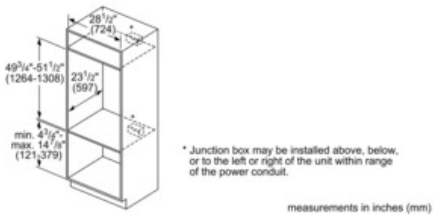
- AutoProbe: Takes the Guesswork out of Rare, Medium and Well Done
- Two Halogen Lights per Cavity Provide Superior Illumination
- Timer with Cook Time and Delay Start Function
- Extra Large Door Window for Easy Monitoring of Cooking Process
- Star-K certified. F100°-450°. Two Separate Time Intervals can be Programmed

##### **Capacity**

- Large Capacity at 4.6 Cu Ft.
- Recessed 8 Pass Broil Element for Increased Capacity and Safety

## Double Oven

### 30" Double Wall Oven Right Swing Door Stainless Steel HBLP651RUC



\*\* Allow 3/4" (19 mm) gap to nearest cabinet  
face for door swing

measurements in inches (mm)