

# 27" Speed Oven

800 Series – Stainless Steel HMC87152UC



**BOSCH**  
Invented for life



**HMC87152UC**  
Stainless Steel

**The speed oven pairs the cooking qualities of a conventional oven with the speed of microwave technology.**

## Features & Benefits

SpeedChef™ cooking cycles offer faster cooking times for your convenience.

Flush install matches Bosch wall oven, steam oven, or warming drawer.

2-in-1 microwave and convection oven for a variety of cooking options.

Electrical connection – 120 Volt NEMA 5-20 three prong plug.

LED lights

## General Properties

Cavity material Stainless steel

Max. microwave power (W) 1,000 W

## Capacity

Cavity capacity (cu. ft.) 1.6

Turntable diameter (in.) 14 1/8"

## Technical Details

Watts (W) 1,920 W

Circuit breaker (A) 20 A

Volts (V) 120 V

Frequency (Hz) 60 Hz

Power cord length (in) 43"

Plug type NEMA 5-20 – 3 prong plug

## Dimensions & Weight

Overall appliance dimensions (HxWxD) (in) 19 5/8" x 26 3/4" x 22 3/8"

Required cutout size (HxWxD) (in) (Standard) 19 1/4" x 25 1/2" x 22"

(Flush) 20 1/8" x 27" x 23 1/2"

Oven overall interior dimensions (HxWxD) (in.) 9 7/8" x 16 1/2" x 16 1/2"

Turntable – Metal Max. Cookware 12 3/4" dia.

Turntable – Ceramic Max. Cookware 12 1/2" dia.

Rack – Rectangular Cookware Max. 15" x 12"

Net weight (lbs) 87 lbs

## Accessories—Included

Included Metal turntable, cooking rack, ceramic cooking tray



**For help and assistance with Bosch accessories please call 1-800-944-2904 Mon-Fri 8am to 6pm EST**

Notes: All height, width and depth dimensions are shown in inches. BSH reserves the absolute and unrestricted right to change product materials and specifications, at any time, without notice. Consult the product's installation instructions for final dimensional data and other details prior to making cutout. Applicable product warranty can be found in accompanying product literature or you may contact your account manager for further details.

Warranties: Bosch warrants that the Product is free from defects in materials and workmanship for a period of three hundred and sixty-five (365) days from the date of purchase. The foregoing timeline begins to run upon the date of purchase, and shall not be stalled, tolled, extended, or suspended, for any reason whatsoever. This Product is also warranted to be free from cosmetic defects in material and workmanship (such as scratches of stainless steel, paint/porcelain blemishes, chip, dents, or other damage) to the finish of the Product, for a period of thirty (30) days from the date of purchase or closing date for new construction. This cosmetic warranty excludes slight color variations due to inherent differences in painted and porcelain parts, as well as differences caused by kitchen lighting, product location, or other similar factors. This cosmetic warranty specifically excludes any display, floor, "As Is", or "B" stock appliances.

**For more information on our entire line of products, go to [www.bosch-home.ca](http://www.bosch-home.ca) or call 1-800-944-2904**

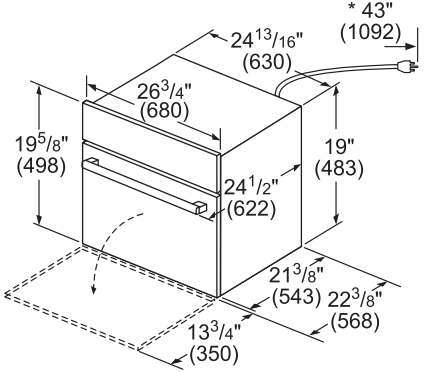
© BSH Home Appliances Limited. All rights reserved. Bosch is a registered trademark of Robert Bosch GmbH.

11/16

# 27" Speed Oven

800 Series – Stainless Steel HMC87152UC

## Installation Details



**IMPORTANT: Bosch Speed Oven is not approved to be installed under a cooktop.**

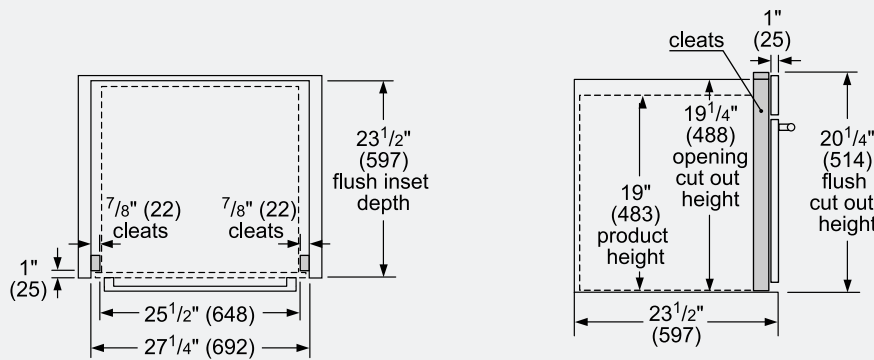
\* Includes 3/4" (19) base plate

\*\* Receptacle may be located to the left or right of the unit within reach of the power cable.


\* Receptacle may be located above or beneath the unit within reach of the power cable.

measurements in inches (mm)

Flush Install      Top View      Side View



Example Flush Install



measurements in inches (mm)

**For help and assistance with Bosch accessories please call 1-800-944-2904 Mon-Fri 8am to 6pm EST**

Notes: All height, width and depth dimensions are shown in inches. BSH reserves the absolute and unrestricted right to change product materials and specifications, at any time, without notice. Consult the product's installation instructions for final dimensional data and other details prior to making cutout. Applicable product warranty can be found in accompanying product literature or you may contact your account manager for further details.

Warranties: Bosch warrants that the Product is free from defects in materials and workmanship for a period of three hundred and sixty-five (365) days from the date of purchase. The foregoing timeline begins to run upon the date of purchase, and shall not be stalled, tolled, extended, or suspended, for any reason whatsoever. This Product is also warranted to be free from cosmetic defects in material and workmanship (such as scratches of stainless steel, paint/porcelain blemishes, chip, dents, or other damage) to the finish of the Product, for a period of thirty (30) days from the date of purchase or closing date for new construction. This cosmetic warranty excludes slight color variations due to inherent differences in painted and porcelain parts, as well as differences caused by kitchen lighting, product location, or other similar factors. This cosmetic warranty specifically excludes any display, floor, "As Is", or "B" stock appliances.

**For more information on our entire line of products, go to [www.bosch-home.ca](http://www.bosch-home.ca) or call 1-800-944-2904**

© BSH Home Appliances Limited. All rights reserved. Bosch is a registered trademark of Robert Bosch GmbH.

# 27" Speed Oven

800 Series – Stainless Steel HMC87152UC



**BOSCH**  
Invented for life

## Installation Details

**Standard**

1 3/4" (44mm)

**Side-by-Side Installation**

NOTE: Horizontal installation of a 27" oven next to a 27" speed oven with warming drawer is possible, but the speed oven and warming drawer require either two cutouts or one cutout with a shelf support in between.

The ovens will overlap the cutout resulting in a 1/2" (13mm) spacing between the products

IMPORTANT: The spacing between cutouts applies when installing any Bosch 30" or 27" single, double, combination and 27"/30" compact oven in a side-by-side installation.

**Flush**

1/2" (13mm)

---

**Standard Installation Over Single Oven**

min. 4 3/4" (121-456)

\* Junction box may be located above or next to the unit within reach of the power cord.

\*\* Junction box may be located below (depending on space) or next to the unit within reach of the power cord.

Minimum dimension between cut outs:

- 1" (25 mm) for wall oven cut out height of 28 5/8"
- 2 5/8" (67 mm) for wall oven cut out height of 27"

measurements in inches (mm)

**Flush Installation Over Single Oven**

Side View

Speed Oven or Microwave

20 1/8" (511) flush cut out height

Wall Oven

29 1/8" (740) flush cut out height

1" (25) cleats

24 1/2" (622)

\*\*\* Flush installation requires a base plate underneath the body: 27" Products – Dimensions: H 5 9/16" (8) x W 25 1/2" (648) x D 22 1/2" (571)

minimum 1/2" (13) required between cutouts\*

\*IMPORTANT: Base has to be able to support over weight. Please check oven manual for minimum weight requirements.

measurements in inches (mm)

**For help and assistance with Bosch accessories please call 1-800-944-2904 Mon-Fri 8am to 6pm EST**

Notes: All height, width and depth dimensions are shown in inches. BSH reserves the absolute and unrestricted right to change product materials and specifications, at any time, without notice. Consult the product's installation instructions for final dimensional data and other details prior to making cutout. Applicable product warranty can be found in accompanying product literature or you may contact your account manager for further details.

Warranties: Bosch warrants that the Product is free from defects in materials and workmanship for a period of three hundred and sixty-five (365) days from the date of purchase. The foregoing timeline begins to run upon the date of purchase, and shall not be stalled, tolled, extended, or suspended, for any reason whatsoever. This Product is also warranted to be free from cosmetic defects in material and workmanship (such as scratches of stainless steel, paint/porcelain blemishes, chip, dents, or other damage) to the finish of the Product, for a period of thirty (30) days from the date of purchase or closing date for new construction. This cosmetic warranty excludes slight color variations due to inherent differences in painted and porcelain parts, as well as differences caused by kitchen lighting, product location, or other similar factors. This cosmetic warranty specifically excludes any display, floor, "As Is", or "B" stock appliances.

**For more information on our entire line of products, go to [www.bosch-home.ca](http://www.bosch-home.ca) or call 1-800-944-2904**

© BSH Home Appliances Limited. All rights reserved. Bosch is a registered trademark of Robert Bosch GmbH.