

# 30" Steam Convection Combination Oven

Benchmark® Series – Stainless Steel HSLP751UC



**HSLP751UC**  
Stainless Steel

The steam convection combination oven allows for great results and features an oven with a QuietClose™ door.

## Features & Benefits

The steam oven cooks meats, vegetables, rice and fish to perfection.

Dampened hinges softly and quietly guide the QuietClose™ door shut.

The color TFT control panel with SteelTouch™ buttons is easy to use.

A full-extension telescopic rack offers safe access to the oven cavity.

The wall oven is designed to be installed flush with cabinetry.



\*Wall oven only

## General Properties

**Cooking modes – upper cavity** Steam, Steam Convection, European Convection, Reheat, Keep Warm, Defrost, Slow Cook, Proof, Dish Warming, 2 Chicken and 7 Vegetable Programs

**Cooking modes – lower cavity** Bake, Variable Broil (hi & low), Roast, Warm, Sabbath, Proof Dough, Convection Bake, Convection Broil, Convection Roast, Pizza, Multi Rack Genuine European Convection, Convection Conversion, AutoProbe, Fast Preheat, EcoChef, Speed Convection (Frozen Foods)

**Cleaning type – lower** Self Clean

**Telescopic rack** 1

**Illumination type** Halogen (Upper and Lower)

**Interior lights – upper / lower cavity** 1 / 2

## Oven Performance

**Bake / broil element wattages – upper cavity** 1,960 W\*\*

**Bake / broil element wattages – lower cavity** 2,400 / 3,800 W

**Convection element wattages – lower cavity** 1,960 W / 2,000 W

## Technical Details

**Watts (W)** 8,325 W

**Circuit breaker (A)** 40 A

**Volts (V); Frequency (Hz)** 240 / 208 V; 60 Hz

**Power cord length (in)** 50"

**Plug type** Fixed Connection, No Plug

**Energy source** Electric

**Installation Type** Non-plumbed

## Dimensions & Weight

**Overall appliance dimensions (HxWxD)(in)** 49" x 29 3/4" x 24 1/2"

**Required cutout size (HxWxD) (in)** 48 5/8" x 28 1/2" x 23 1/2"

**Oven cavity size – upper** 1.4 cu. ft.

**Oven cavity size – lower** 4.6 cu. ft.

**Overall lower oven interior dimensions (HxWxD) (in)** 17 13/16" x 24 1/8" x 18"

**Usable lower oven interior dimensions (HxWxD) (in)** 12 5/16" x 23 1/4" x 15 1/4"

**Net weight (lbs)** 219 lbs

## Accessories—Included

Upper Oven: Wire rack, Perforated Cooking Pan – Full Size, Baking Tray, Perforated Cooking Pan – Half Size, Cooking Pan – Half Size Lower Oven: 1 Telescopic and 2 Standard Oven Racks, Temperature Probe, Broiler Pan

## Accessories—Optional



**HEZ36D453**  
Cooking pan – full size, 1 5/8" deep [not included with product]



**HEZ36D452**  
Baking tray – full size, 1 1/8" deep



**HEZ36DR4**  
Wire rack for steam and convection oven



**HEZ36D453G**  
Perforated cooking pan – full size, 1 5/8" deep



**HEZ36D153G**  
Perforated cooking pan – half size, 1 5/8" deep



**HEZ36D153**  
Cooking pan – half size, 1 5/8" deep

\*\*Element below water reservoir that generates steam

For help and assistance with Bosch accessories please call 1-800-944-2904 Mon-Fri 8am to 6pm EST

Notes: All height, width and depth dimensions are shown in inches. BSH reserves the absolute and unrestricted right to change product materials and specifications, at any time, without notice. Consult the product's installation instructions for final dimensional data and other details prior to making cutout. Applicable product warranty can be found in accompanying product literature or you may contact your account manager for further details.

Warranties: Bosch warrants that the Product is free from defects in materials and workmanship for a period of three hundred and sixty-five (365) days from the date of purchase. The foregoing timeline begins to run upon the date of purchase, and shall not be stalled, tolled, extended, or suspended, for any reason whatsoever. This Product is also warranted to be free from cosmetic defects in material and workmanship (such as scratches of stainless steel, paint/porcelain blemishes, chip, dents, or other damage) to the finish of the Product, for a period of thirty (30) days from the date of purchase or closing date for new construction. This cosmetic warranty excludes slight color variations due to inherent differences in painted and porcelain parts, as well as differences caused by kitchen lighting, product location, or other similar factors. This cosmetic warranty specifically excludes any display, floor, "As Is", or "B" stock appliances.

For more information on our entire line of products, go to [www.bosch-home.ca](http://www.bosch-home.ca) or call 1-800-944-2904

© BSH Home Appliances Limited. All rights reserved. Bosch is a registered trademark of Robert Bosch GmbH.

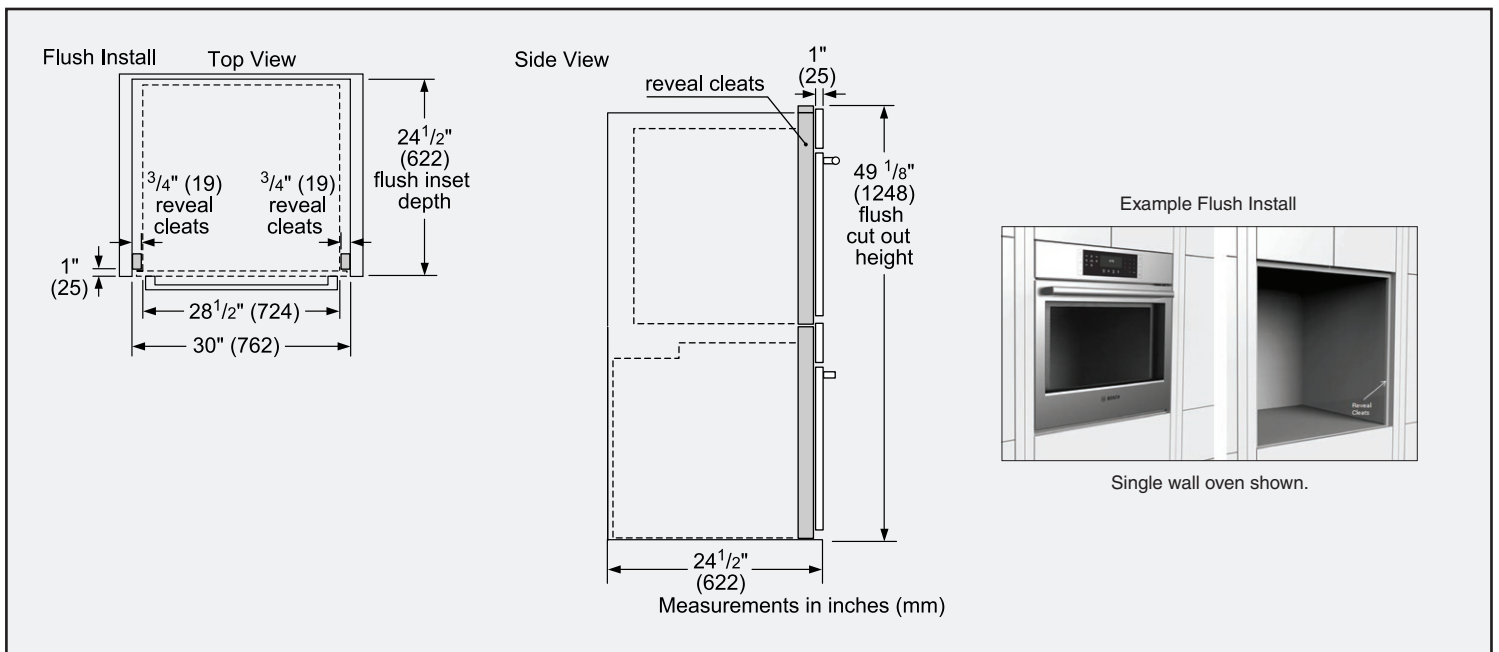
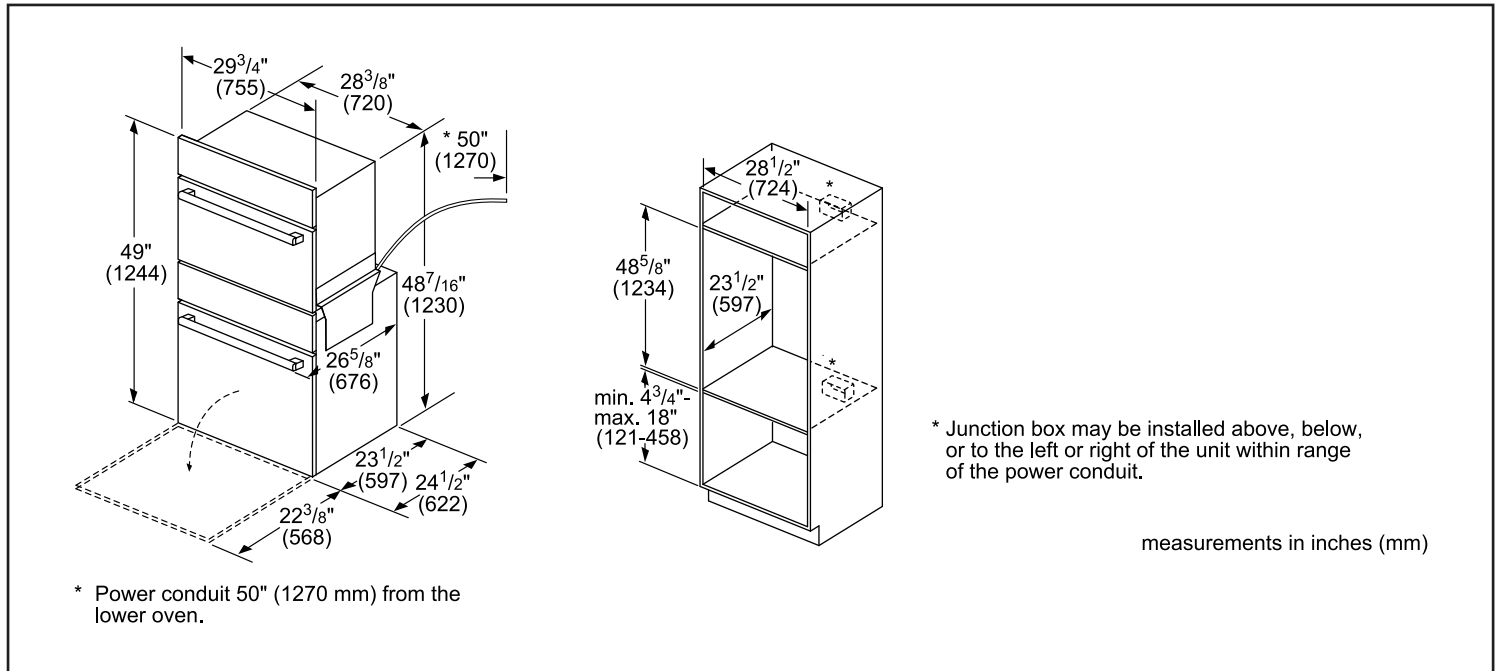
09/15

# 30" Steam Convection Combination Oven

Benchmark® Series – Stainless Steel HSLP751UC



## Installation Details



For help and assistance with Bosch accessories please call 1-800-944-2904 Mon-Fri 8am to 6pm EST

Notes: All height, width and depth dimensions are shown in inches. BSH reserves the absolute and unrestricted right to change product materials and specifications, at any time, without notice. Consult the product's installation instructions for final dimensional data and other details prior to making cutout. Applicable product warranty can be found in accompanying product literature or you may contact your account manager for further details.

Warranties: Bosch warrants that the Product is free from defects in materials and workmanship for a period of three hundred and sixty-five (365) days from the date of purchase. The foregoing timeline begins to run upon the date of purchase, and shall not be stalled, tolled, extended, or suspended, for any reason whatsoever. This Product is also warranted to be free from cosmetic defects in material and workmanship (such as scratches of stainless steel, paint/porcelain blemishes, chip, dents, or other damage) to the finish of the Product, for a period of thirty (30) days from the date of purchase or closing date for new construction. This cosmetic warranty excludes slight color variations due to inherent differences in painted and porcelain parts, as well as differences caused by kitchen lighting, product location, or other similar factors. This cosmetic warranty specifically excludes any display, floor, "As Is", or "B" stock appliances.

For more information on our entire line of products, go to [www.bosch-home.ca](http://www.bosch-home.ca) or call 1-800-944-2904

© BSH Home Appliances Limited. All rights reserved. Bosch is a registered trademark of Robert Bosch GmbH.

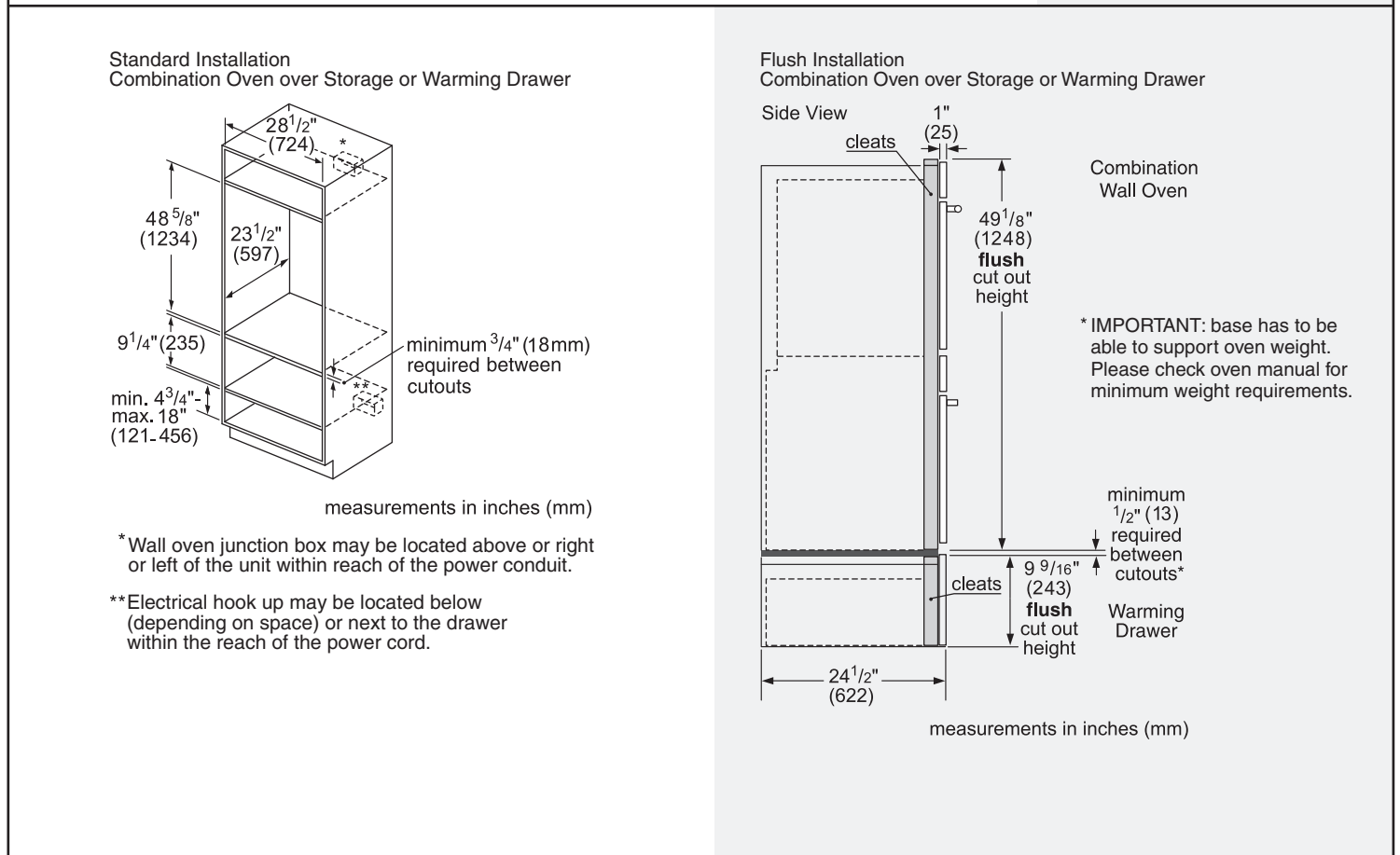
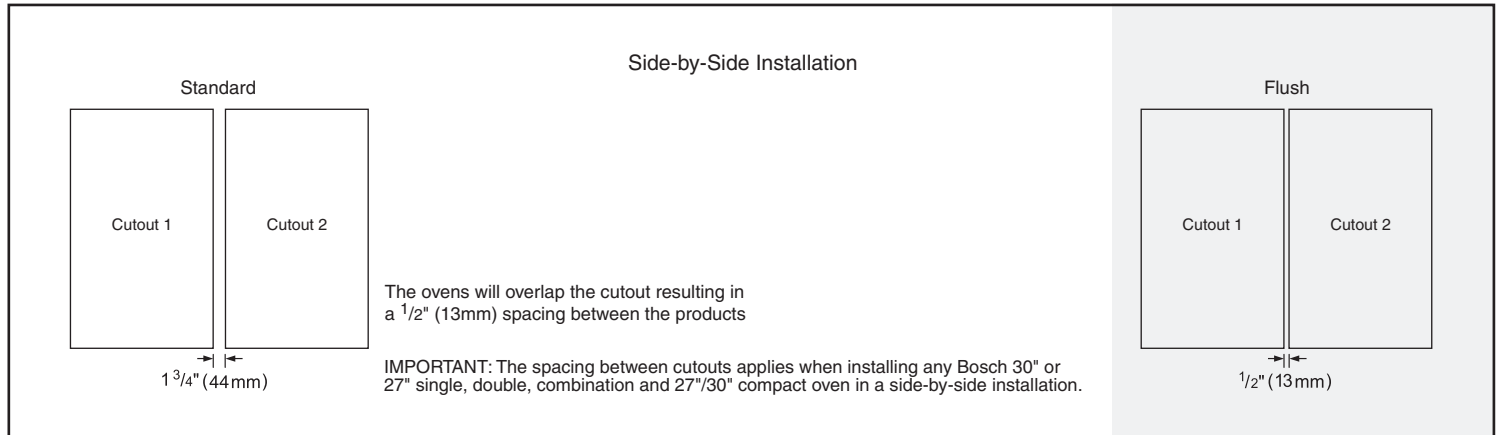
09/15

# 30" Steam Convection Combination Oven

Benchmark® Series – Stainless Steel HSLP751UC



## Installation Details



**For help and assistance with Bosch accessories please call 1-800-944-2904 Mon-Fri 8am to 6pm EST**

Notes: All height, width and depth dimensions are shown in inches. BSH reserves the absolute and unrestricted right to change product materials and specifications, at any time, without notice. Consult the product's installation instructions for final dimensional data and other details prior to making cutout. Applicable product warranty can be found in accompanying product literature or you may contact your account manager for further details.

Warranties: Bosch warrants that the Product is free from defects in materials and workmanship for a period of three hundred and sixty-five (365) days from the date of purchase. The foregoing timeline begins to run upon the date of purchase, and shall not be stalled, tolled, extended, or suspended, for any reason whatsoever. This Product is also warranted to be free from cosmetic defects in material and workmanship (such as scratches of stainless steel, paint/porcelain blemishes, chip, dents, or other damage) to the finish of the Product, for a period of thirty (30) days from the date of purchase or closing date for new construction. This cosmetic warranty excludes slight color variations due to inherent differences in painted and porcelain parts, as well as differences caused by kitchen lighting, product location, or other similar factors. This cosmetic warranty specifically excludes any display, floor, "As Is", or "B" stock appliances.

**For more information on our entire line of products, go to [www.bosch-home.ca](http://www.bosch-home.ca) or call 1-800-944-2904**

© BSH Home Appliances Limited. All rights reserved. Bosch is a registered trademark of Robert Bosch GmbH.

09/15