

Cooktops

36" Gas Cooktop Benchmark Series - Stainless Steel NGMP655UC



The Benchmark Series Gas Cooktop Features a 20,000 BTU Dual-stacked Burner, Allowing Flexibility to Cook on High Heat or Simmer

- Powerful 20,000 BTU Dual-stacked Center Burner
- Powerful Center Burner Designed for Faster Boil Time and a Low Simmer
- Heavy-duty Metal Knobs for a Premium Look and Feel
- Distinctive Red LED light Indicates Burners are On

Technical Data

Knob Material :	Full metal
Sealed Burners :	Yes
Type of grate :	Cast iron
Natural Gas Connection Rating (BTU) :	59500
LP Gas Connection Rating (BTU) :	47300
Power of 1st burner (BTU) :	12000
Power of 2nd burner (BTU) :	12000
Power of 3rd burner (BTU) :	20000
Power of 4th burner (BTU) :	5500
UPC code :	825225906926
Variant color :	Stainless steel
Energy source :	Gas
Gas type :	Natural gas 15 mbar (USA)
Alternative gas type :	Liquid gas 27,5 mbar (USA)
Watts (W) :	360
Current (A) :	15
Volts (V) :	120
Frequency (Hz) :	60
Approval certificates :	CSA
Power cord length (in) :	60"
Power cord length (cm) :	152
Plug type :	120V-3 prong
Required cutout size (HxWxD) (in) :	
	3 13/16" x 34 15/16" x 19 1/8"
Required cutout size (HxWxD) (mm) :	97 x 887-887 x 486-486
Minimum distance from counter front (in) :	1 7/8"
Minimum distance from rear wall (in) :	3"
Overall appliance dimensions (HxWxD) (in) :	
	+3 13/16" x 37" x 21 1/4"
Overall appliance dimensions (HxWxD) (mm) :	97 x 940 x 540
Product packaging dimensions (HxWxD) (in) :	
	8 3/8" x 43 1/8" x 24 3/4"
Net weight (lbs) :	39
Net weight (kg) :	18.0
Gross weight (lbs) :	51
Gross weight (kg) :	23.0
Total number of cooktop burners :	5

Included accessories

- 1 x nozzle set for liquid gas
- 1 x cast iron pan support

Cooktops

36" Gas Cooktop Benchmark Series - Stainless Steel NGMP655UC

The Benchmark Series Gas Cooktop Features a 20,000 BTU Dual-stacked Burner, Allowing Flexibility to Cook on High Heat or Simmer

Design

- Heavy-Duty Metal Knobs for a Premium Look and Feel
- Low-Profile Design for an Integrated Appearance
- Centralized Controls for Easy Use and Intuitive Operation of the Cooktop
- Cooktop Design Coordinates with Bosch Ovens and Ventilation

Performance

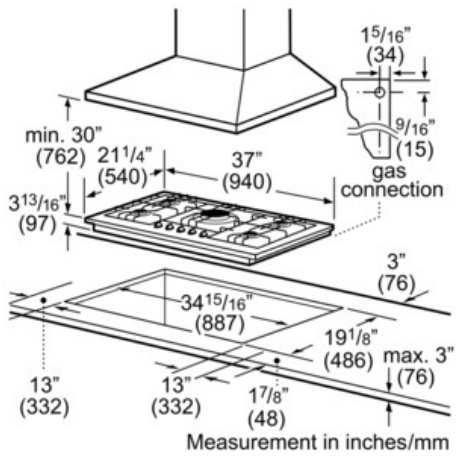
- Powerful 61,500 BTU Burners (Natural Gas)

Convenience

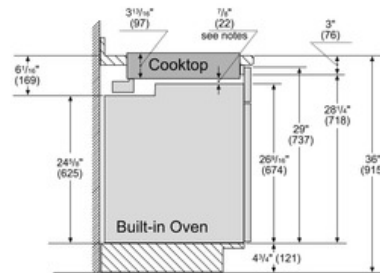
- Sealed Burners Prevent Spills from Entering the Burner Box
- Push-to-Turn Knobs
- Automatic Electronic Re-Ignition --In Case Flame Goes Out, the Burner is Automatically Re-Ignited
- LP Conversion Kit Included for Easy Conversion from Natural Gas to Liquid Propane

Cooktops

36" Gas Cooktop Benchmark Series - Stainless Steel NGMP655UC



30" Built-in oven - under gas cooktop



Notes:

Dimensions based on standard countertop height (36" with 4 1/4" toe kick including base plate).

The built-in oven can be installed below the gas cooktop as long as there is no contact between the bottom of the cooktop and the top of the oven.

measurements in inches (mm)